



US00D472824S

(12) **United States Design Patent**
Raab et al.

(10) **Patent No.: US D472,824 S**
(45) **Date of Patent: ** Apr. 8, 2003**

(54) **PORTABLE COORDINATE MEASUREMENT MACHINE**

(75) Inventors: **Simon Raab**, Maitland, FL (US); **Seyed Ali Sajedi**, Winter Park, FL (US); **Marc Barber**, Deltona, FL (US); **Kenneth J. Hasloeher**, Deltona, FL (US)

(73) Assignee: **Faro Technologies, Inc.**, Lake Mary, FL (US)

(**) Term: **14 Years**

(21) Appl. No.: **29/155,790**

(22) Filed: **Feb. 14, 2002**

(51) **LOC (7) Cl.** **10-04**

(52) **U.S. Cl.** **D10/63; D10/65**

(58) **Field of Search** D10/63, 65; 33/503-505; 74/490.05; 700/262, 195, 80; 901/25, 48

(56) **References Cited**

U.S. PATENT DOCUMENTS

D377,932 S * 2/1997 Schena et al. D10/63 X
D423,534 S * 4/2000 Raab et al. D15/199

* cited by examiner

Primary Examiner—Antoine Duval Davis

(74) *Attorney, Agent, or Firm*—Cantor Colburn LLP

(57) **CLAIM**

The ornamental design for a portable coordinate measurement machine, as shown.

DESCRIPTION

FIG. 1 is a front view of our new portable coordinate measurement machine;
FIG. 2 is a rear view thereof;
FIG. 3 is a left side view thereof;
FIG. 4 is a right side view thereof;
FIG. 5 is a top view thereof;
FIG. 6 is a bottom view thereof.

FIG. 7 is a front view of a second embodiment of our new portable coordinate measurement machine;
FIG. 8 is a rear view thereof;
FIG. 9 is a left side view thereof;
FIG. 10 is a right side view thereof;
FIG. 11 is a top view thereof;
FIG. 12 is a bottom view thereof;
FIG. 13 is a front view of a third embodiment of our new portable coordinate measurement machine;
FIG. 14 is a rear view thereof;
FIG. 15 is a left side view thereof;
FIG. 16 is a right side view thereof;
FIG. 17 is a top view thereof;
FIG. 18 is a bottom view thereof;
FIG. 19 is a front view of a fourth embodiment of our new portable coordinate measurement machine;
FIG. 20 is a rear view thereof;
FIG. 21 is a left side view thereof;
FIG. 22 is a right side view thereof;
FIG. 23 is a top view thereof;
FIG. 24 is a bottom view thereof;
FIG. 25 is a front view of a fifth embodiment of our new portable coordinate measurement machine;
FIG. 26 is a rear view thereof;
FIG. 27 is a left side view thereof;
FIG. 28 is a right side view thereof;
FIG. 29 is a top view thereof;
FIG. 30 is a bottom view thereof;
FIG. 31 is a front view of a sixth embodiment of our new portable coordinate measurement machine;
FIG. 32 is a rear view thereof;
FIG. 33 is a left side view thereof;
FIG. 34 is a right side view thereof;
FIG. 35 is a top view thereof;
FIG. 36 is a bottom view thereof;
FIG. 37 is a front view of a seventh embodiment of our new portable coordinate measurement machine;
FIG. 38 is a rear view thereof;
FIG. 39 is a left side view thereof;
FIG. 40 is a right side view thereof;
FIG. 41 is a top view thereof;
FIG. 42 is a bottom view thereof;
FIG. 43 is a front view of an eighth embodiment of our new portable coordinate measurement machine;

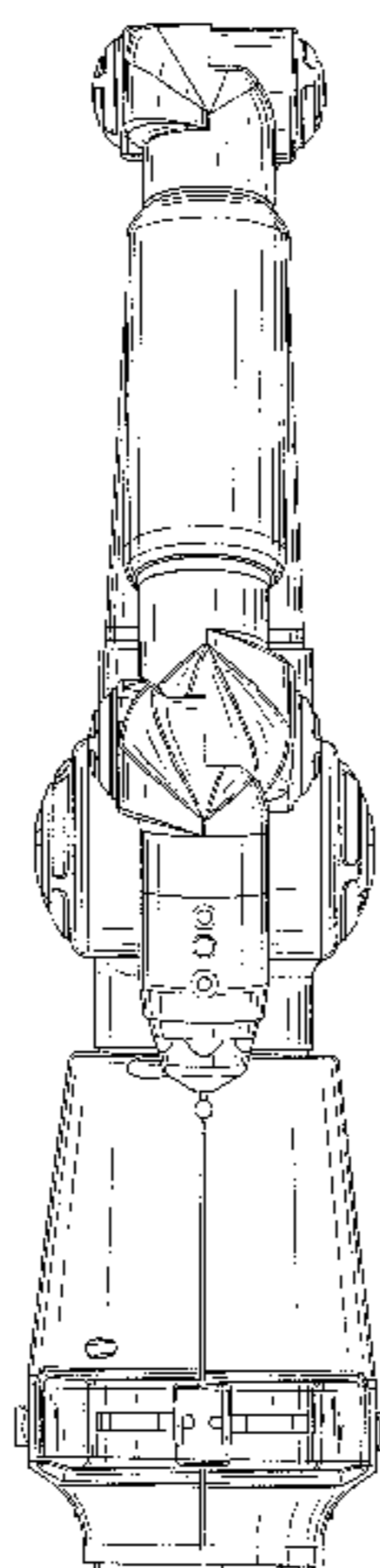


FIG. 44 is a rear view thereof;
FIG. 45 is a left side view thereof;
FIG. 46 is a right side view thereof;
FIG. 47 is a top view thereof; and,

FIG. 48 is a bottom view thereof.

1 Claim, 48 Drawing Sheets

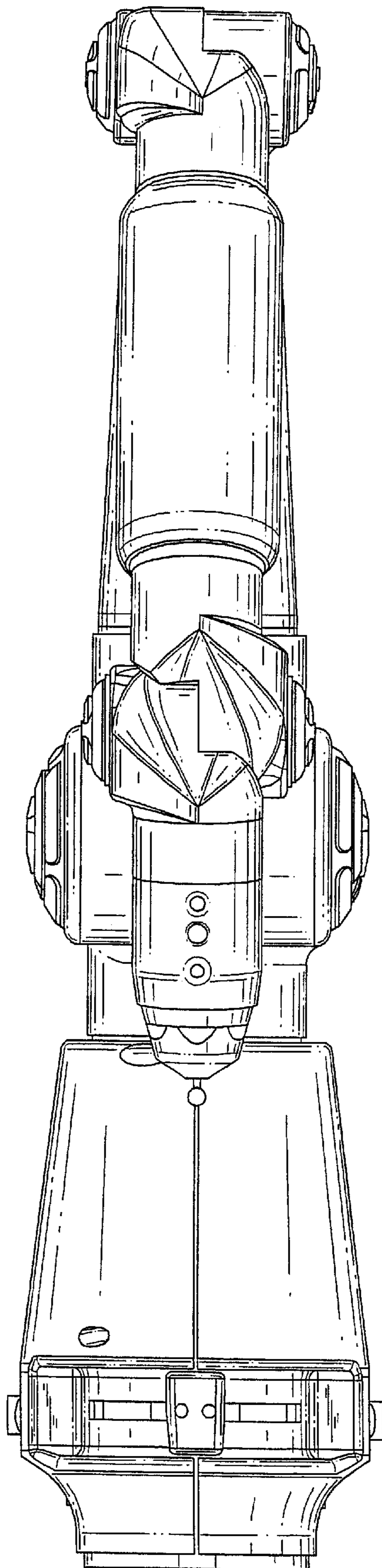


FIG. 1

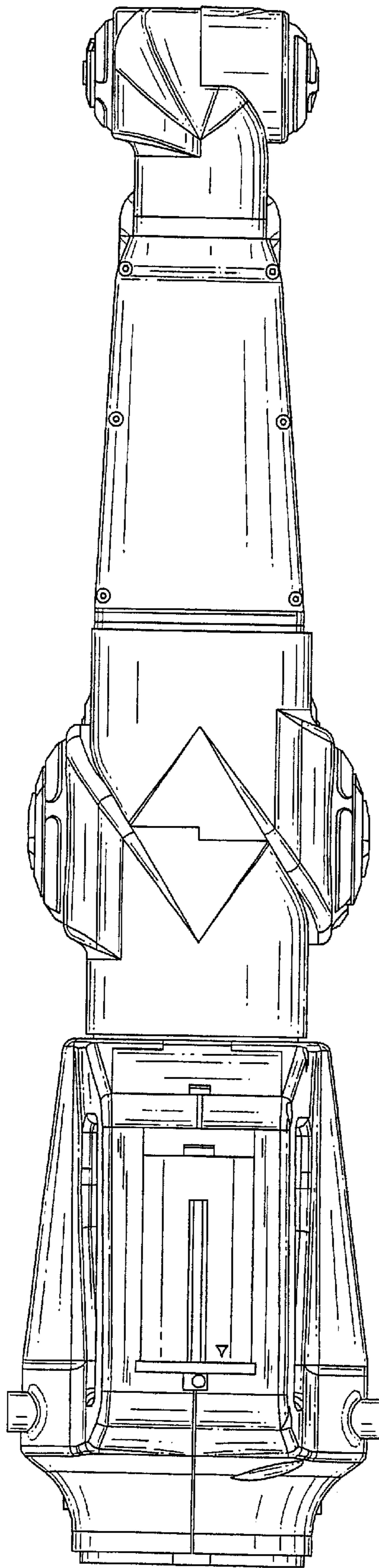


FIG. 2

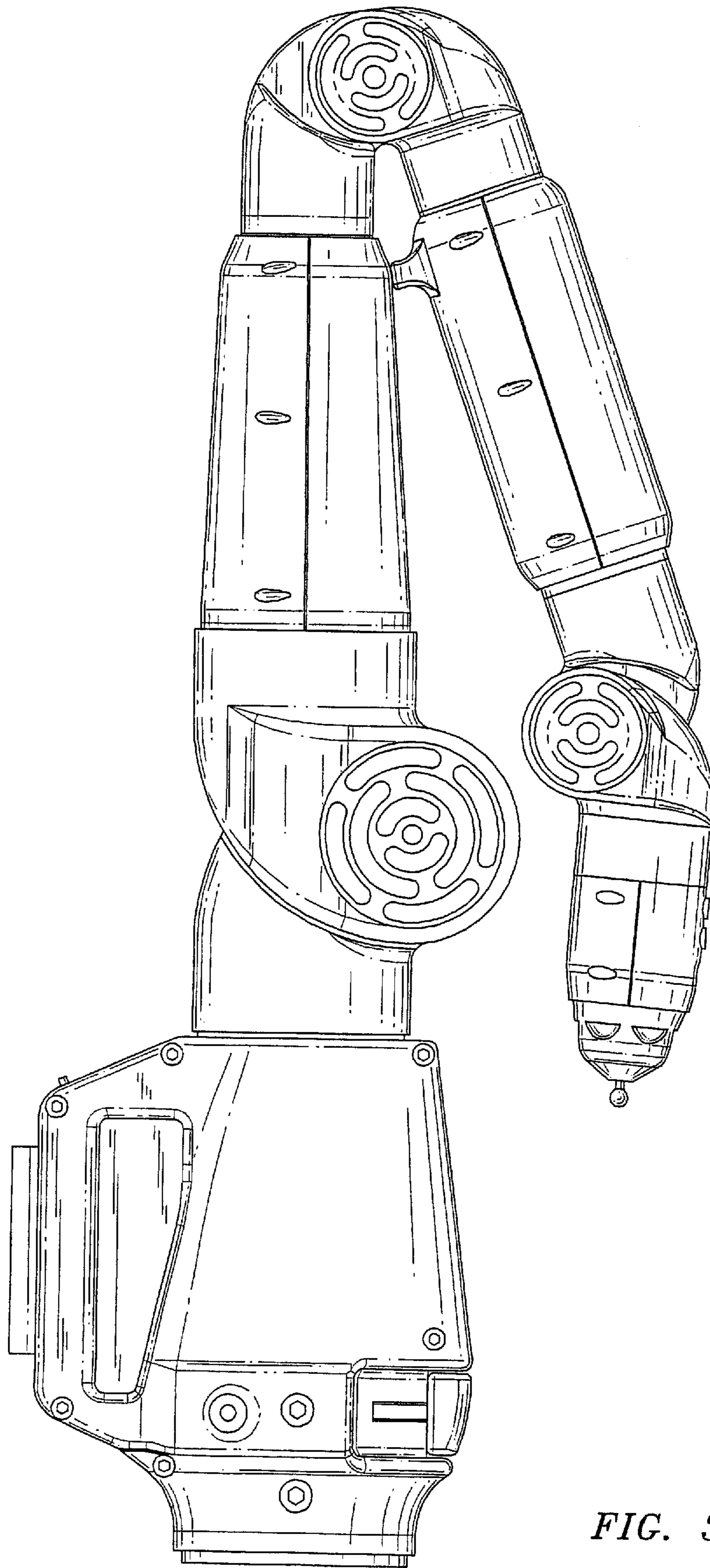


FIG. 3

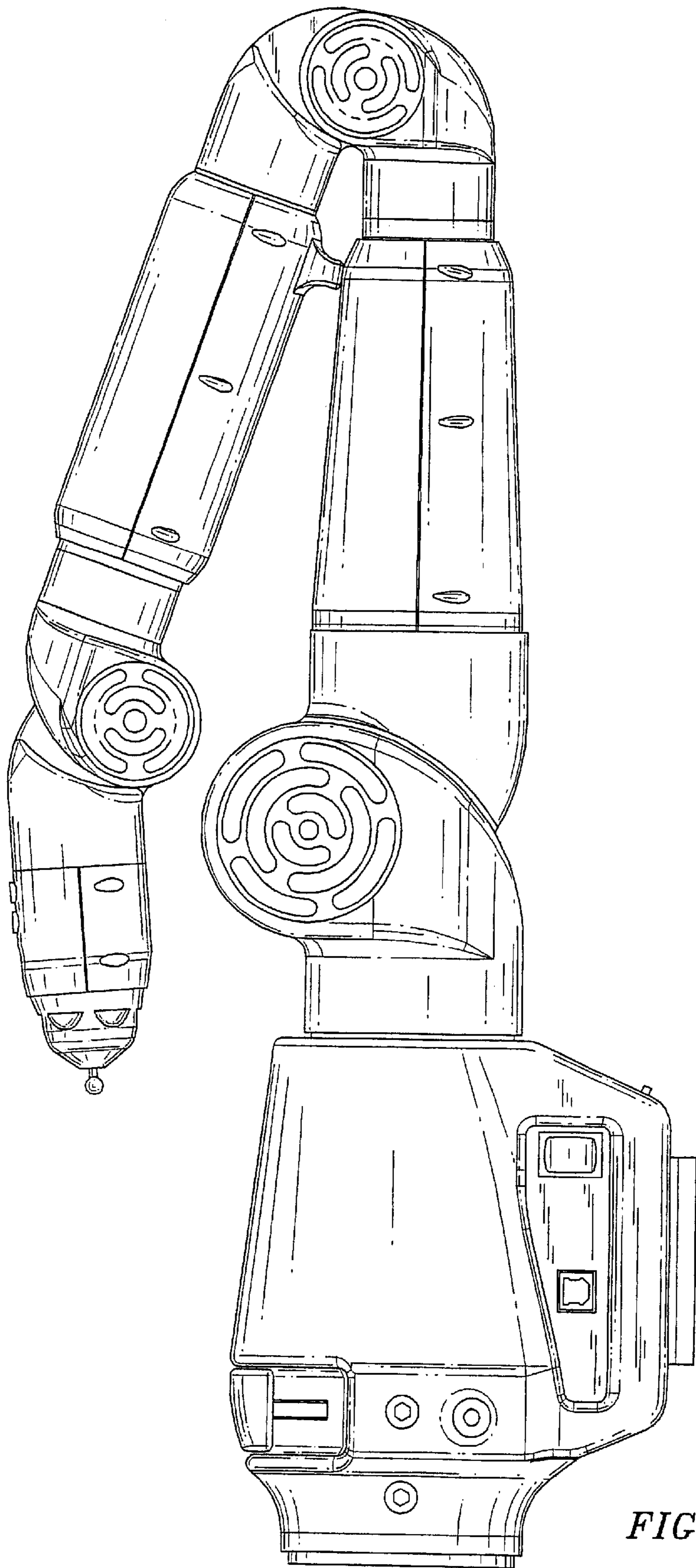


FIG. 4

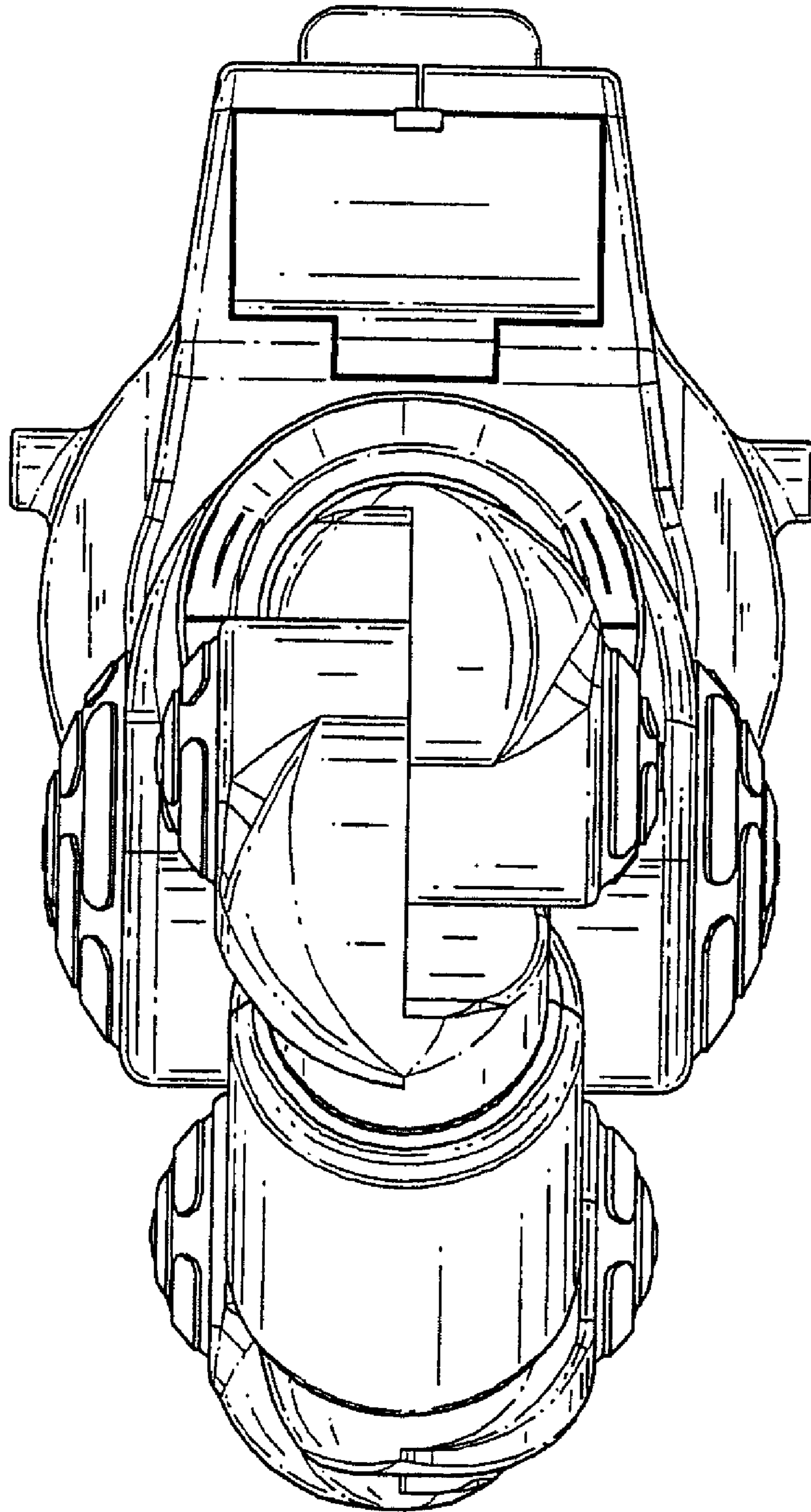


FIG. 5

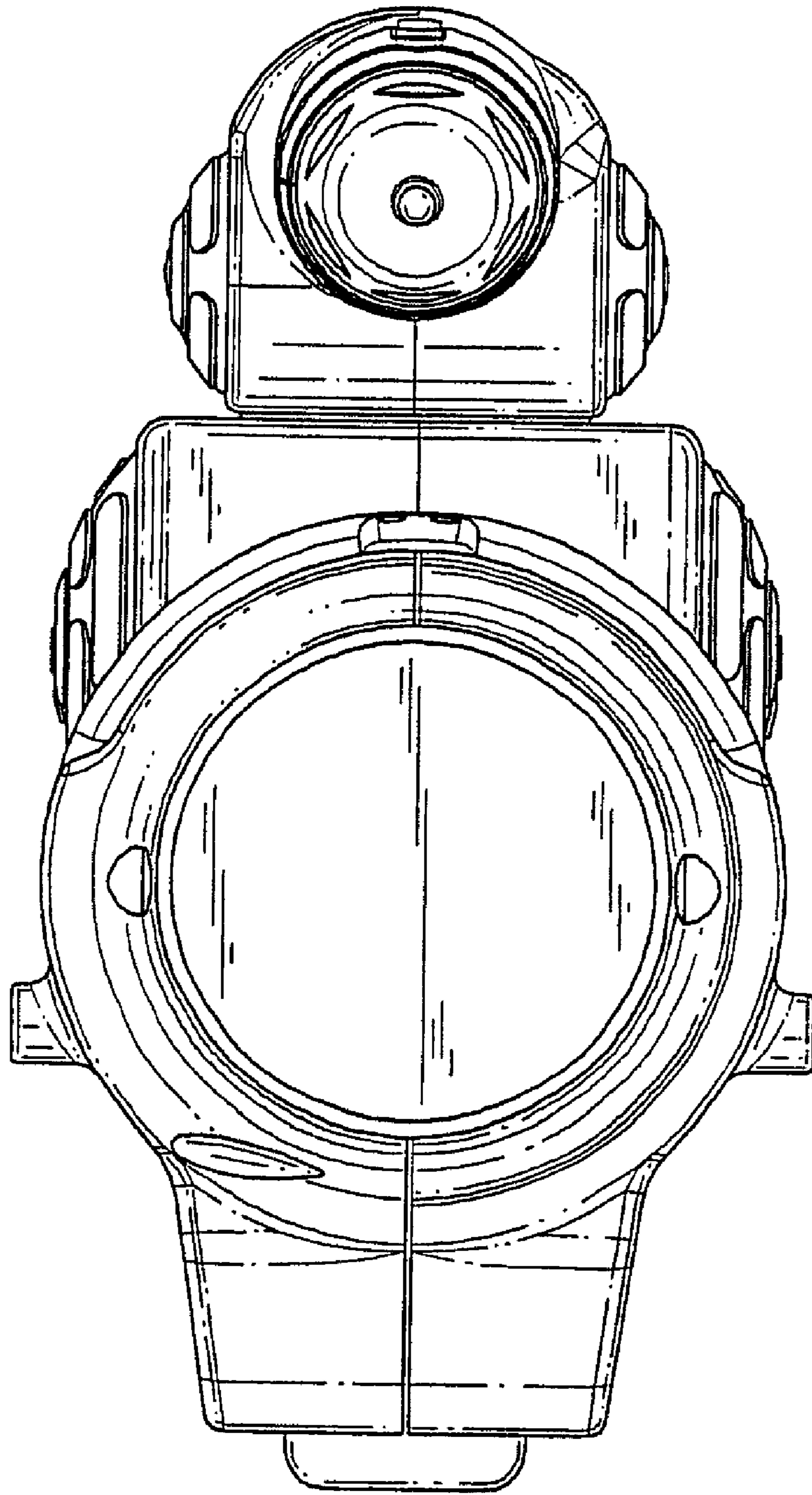


FIG. 6

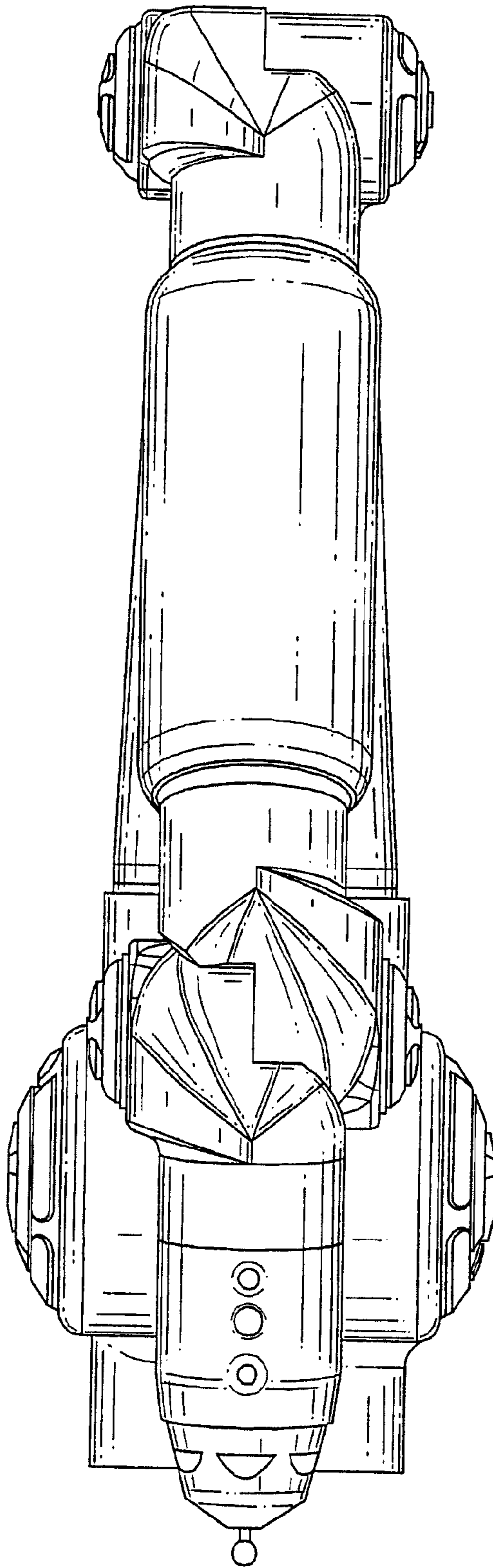


FIG. 7

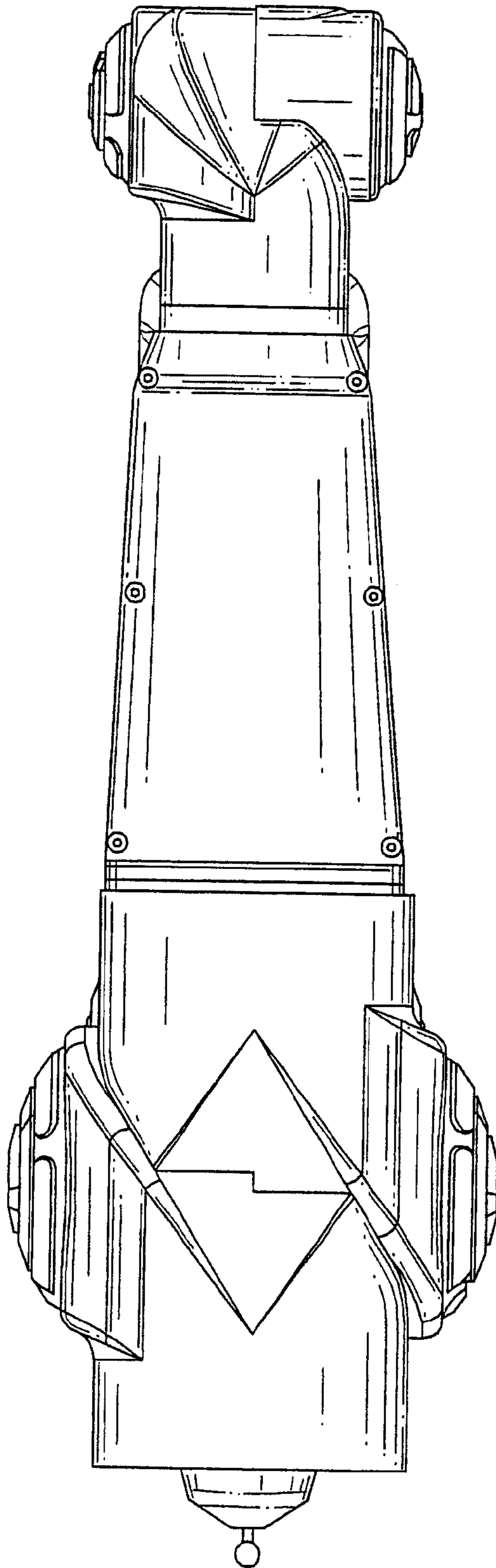


FIG. 8

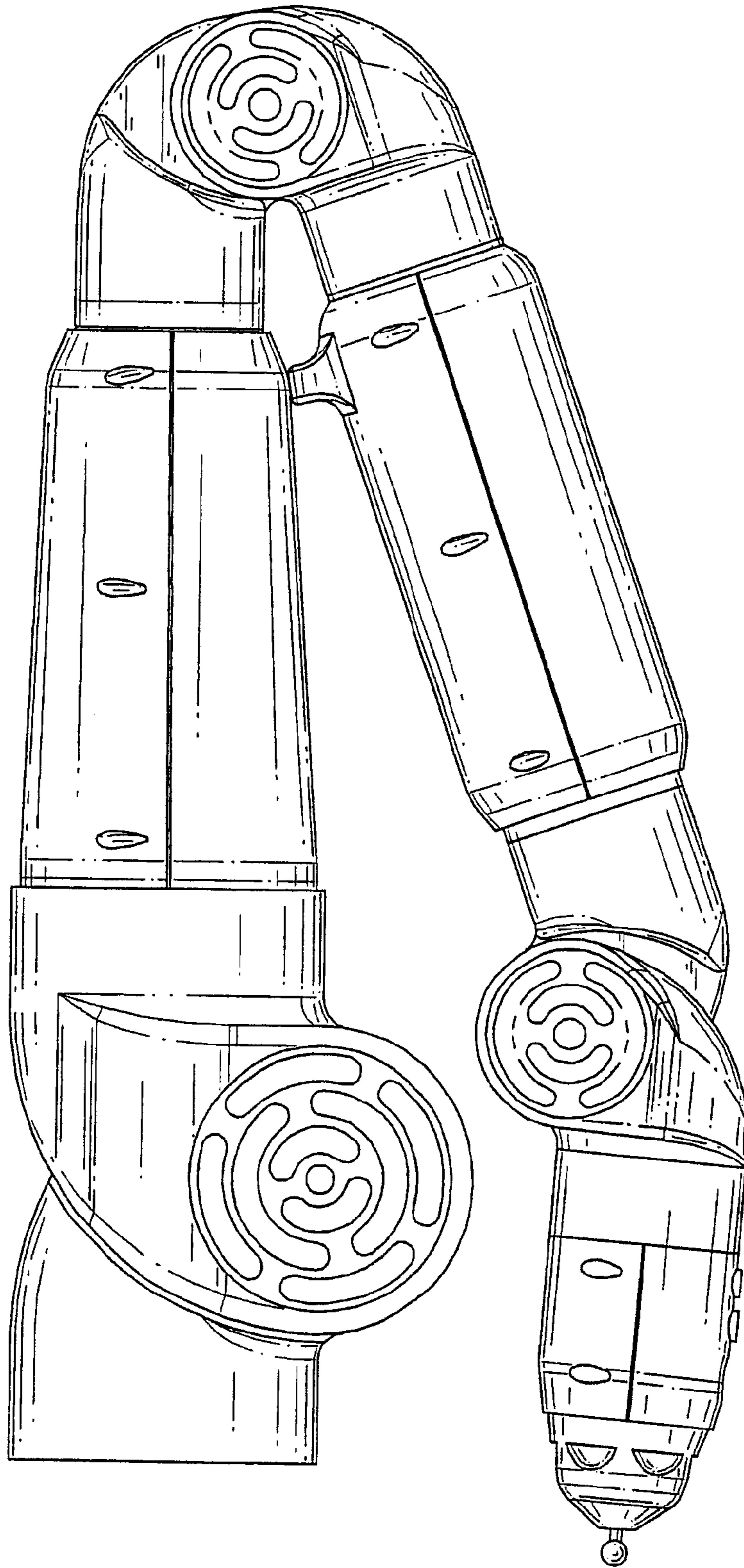


FIG. 9

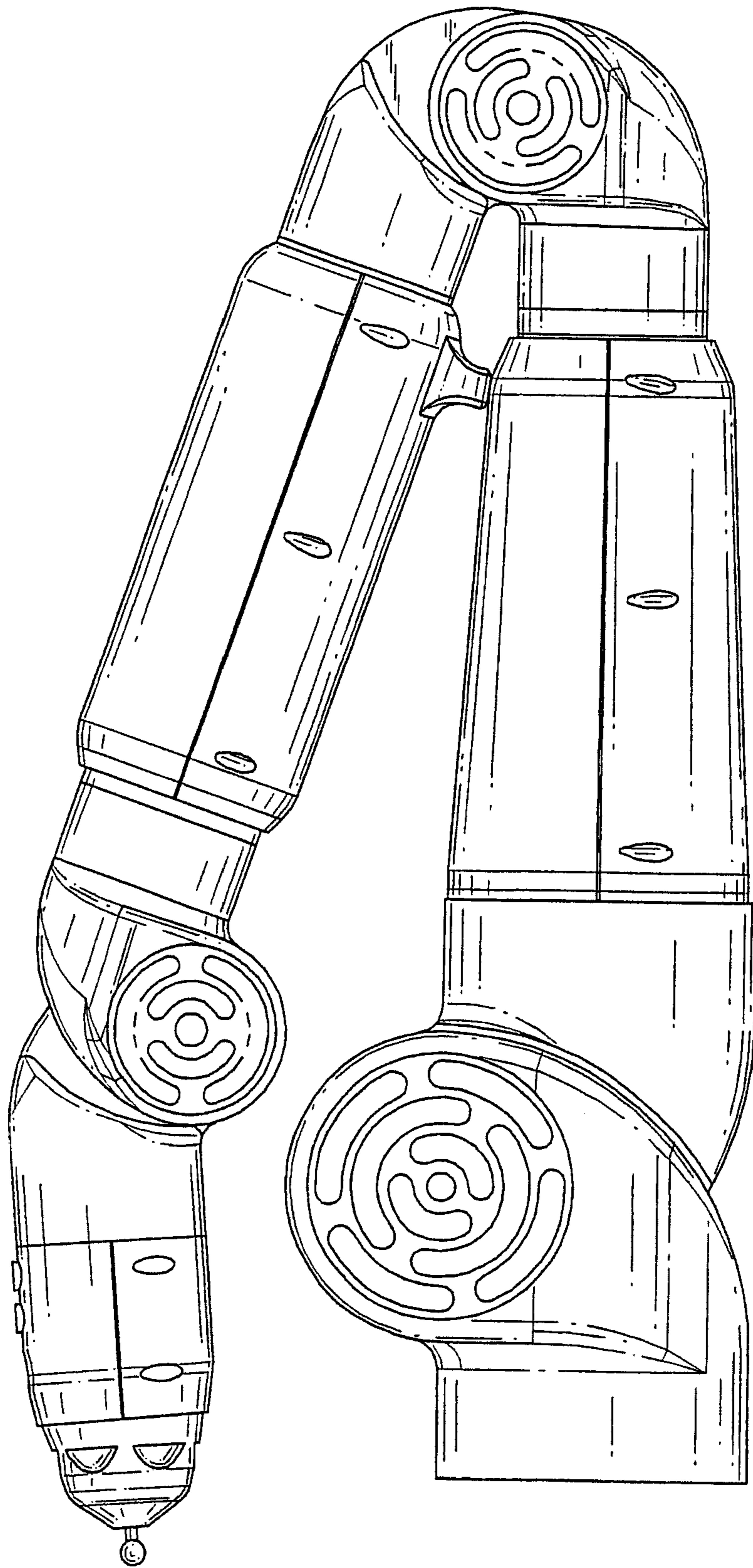


FIG. 10

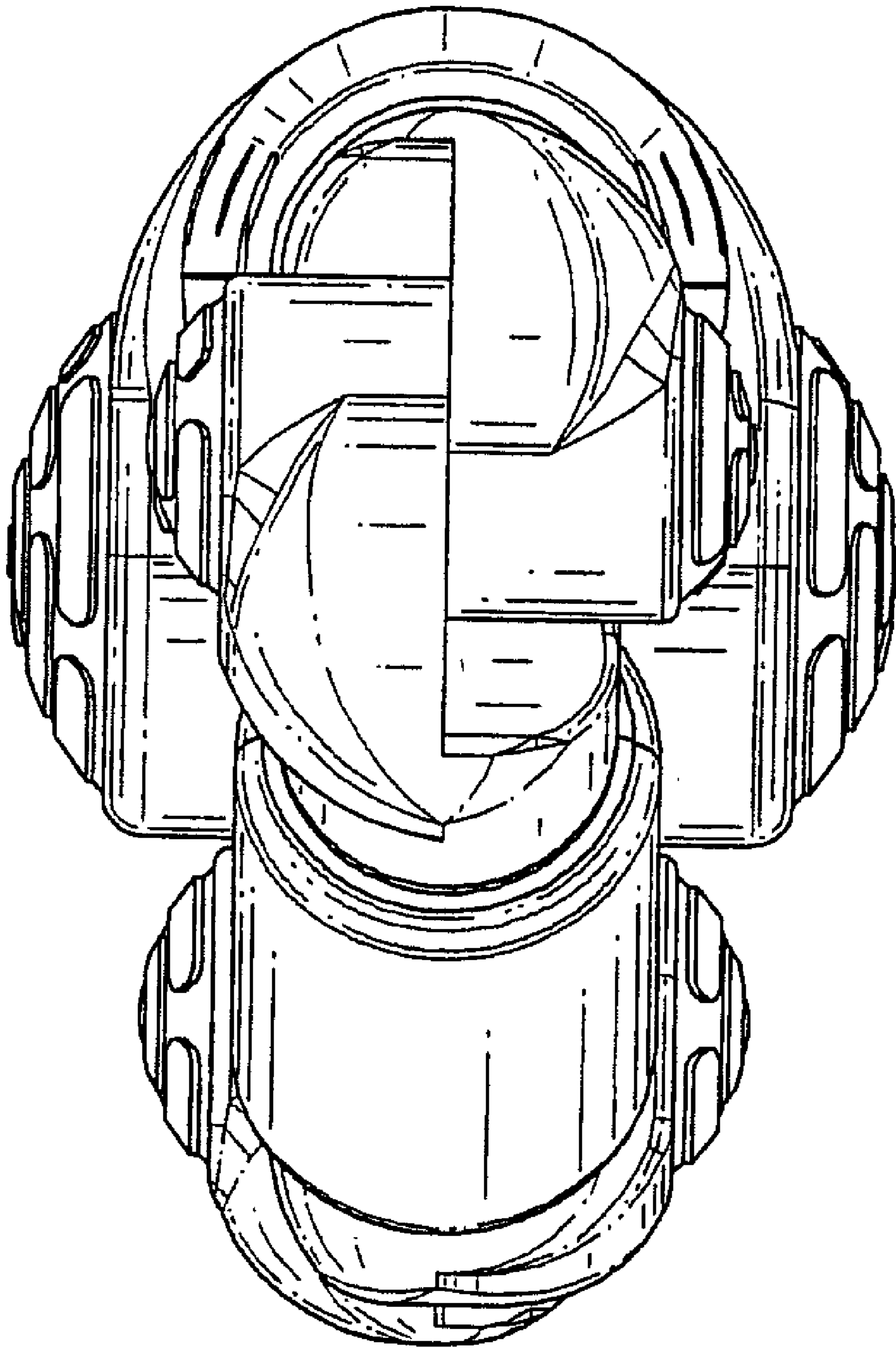


FIG. 11

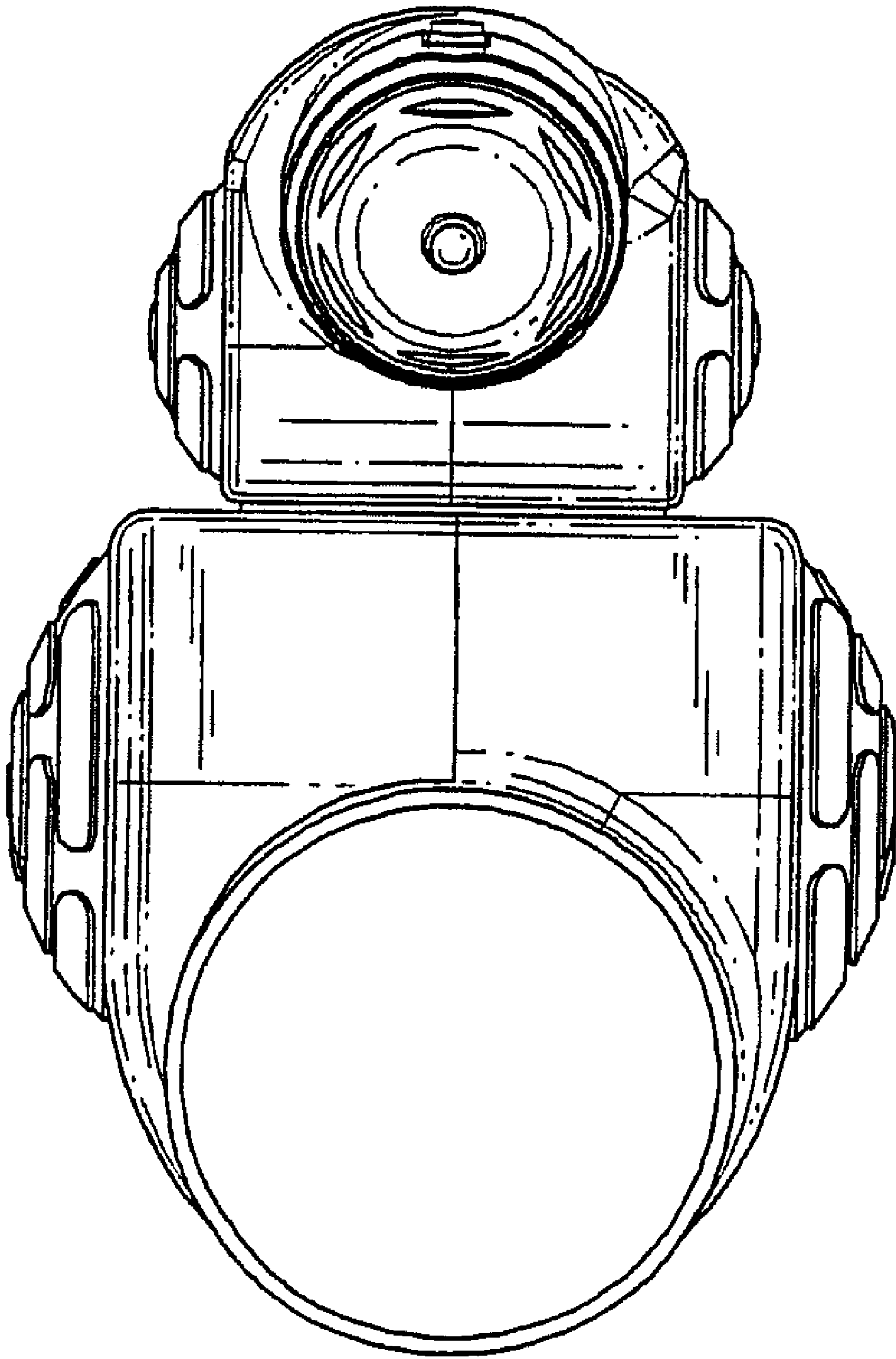


FIG. 12

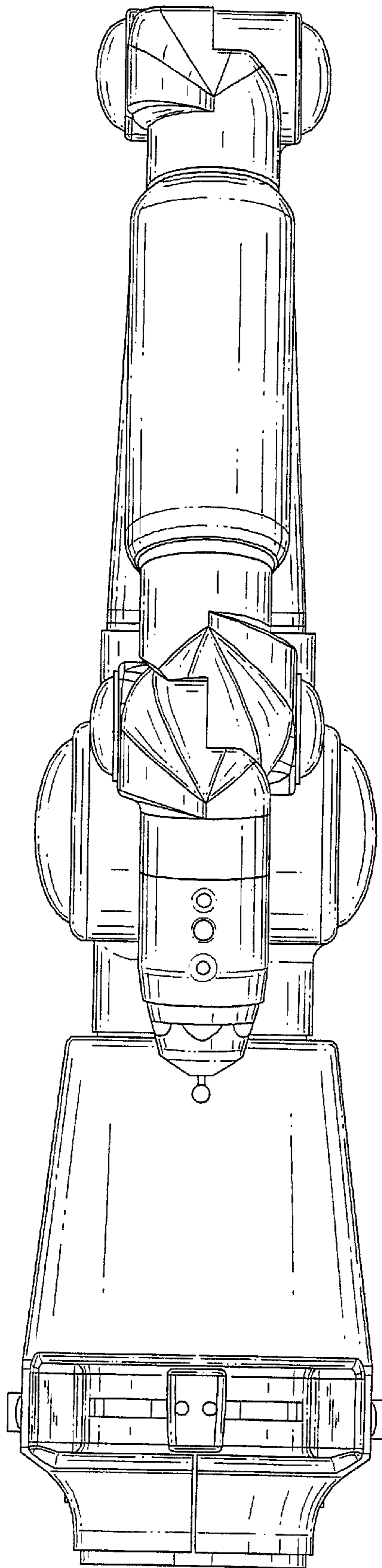


FIG. 13

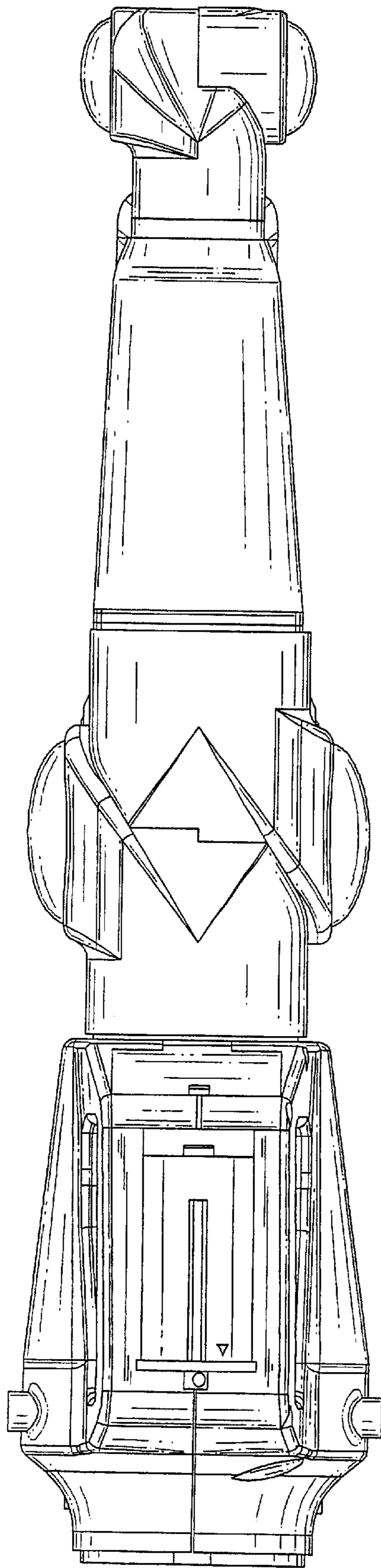


FIG. 14

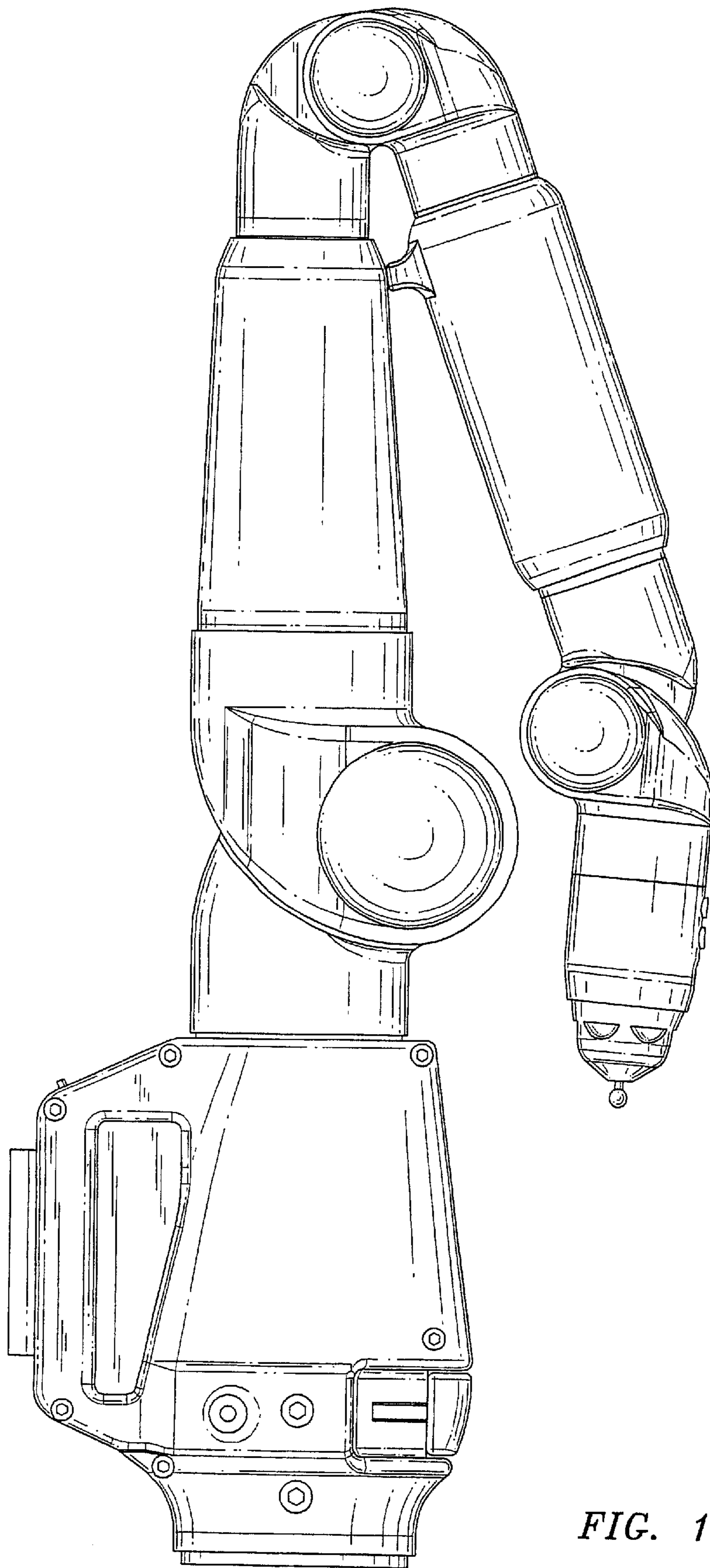


FIG. 15

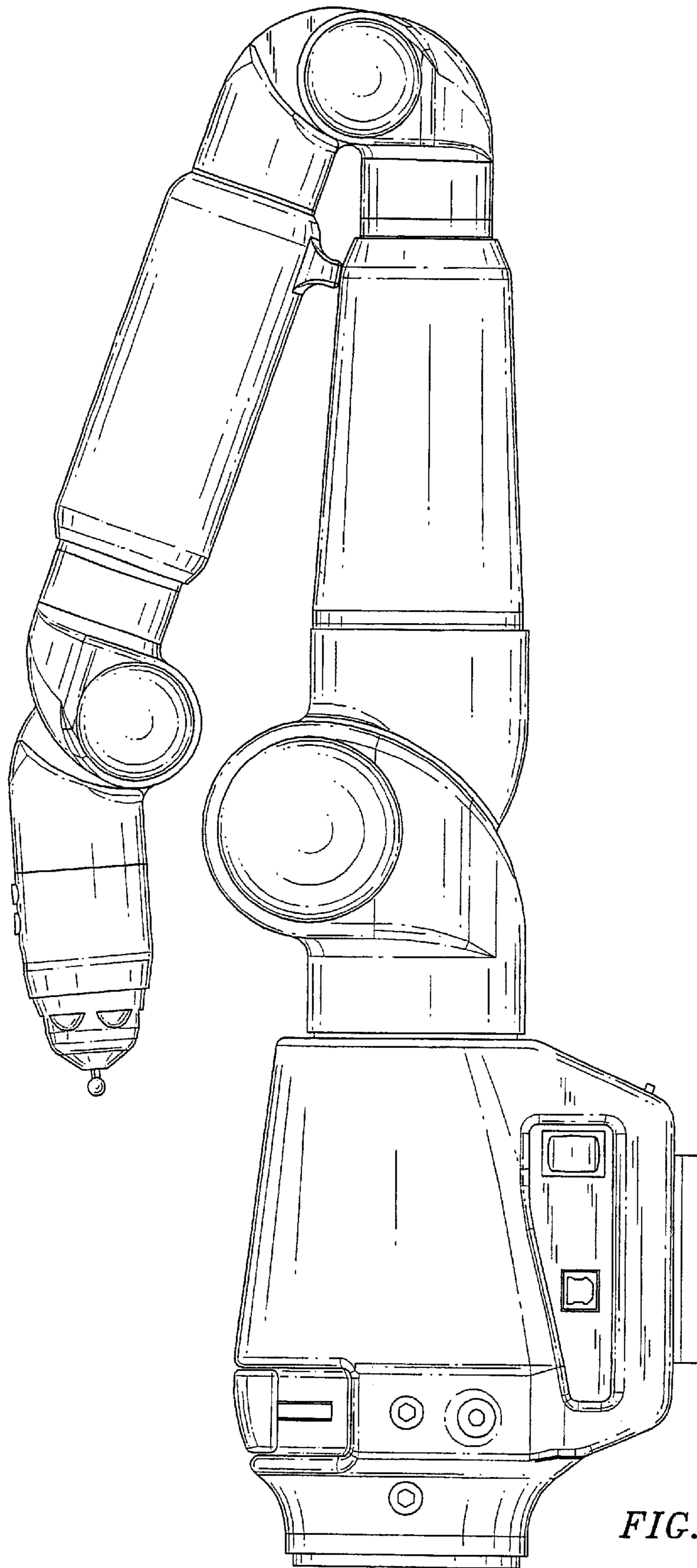


FIG. 16

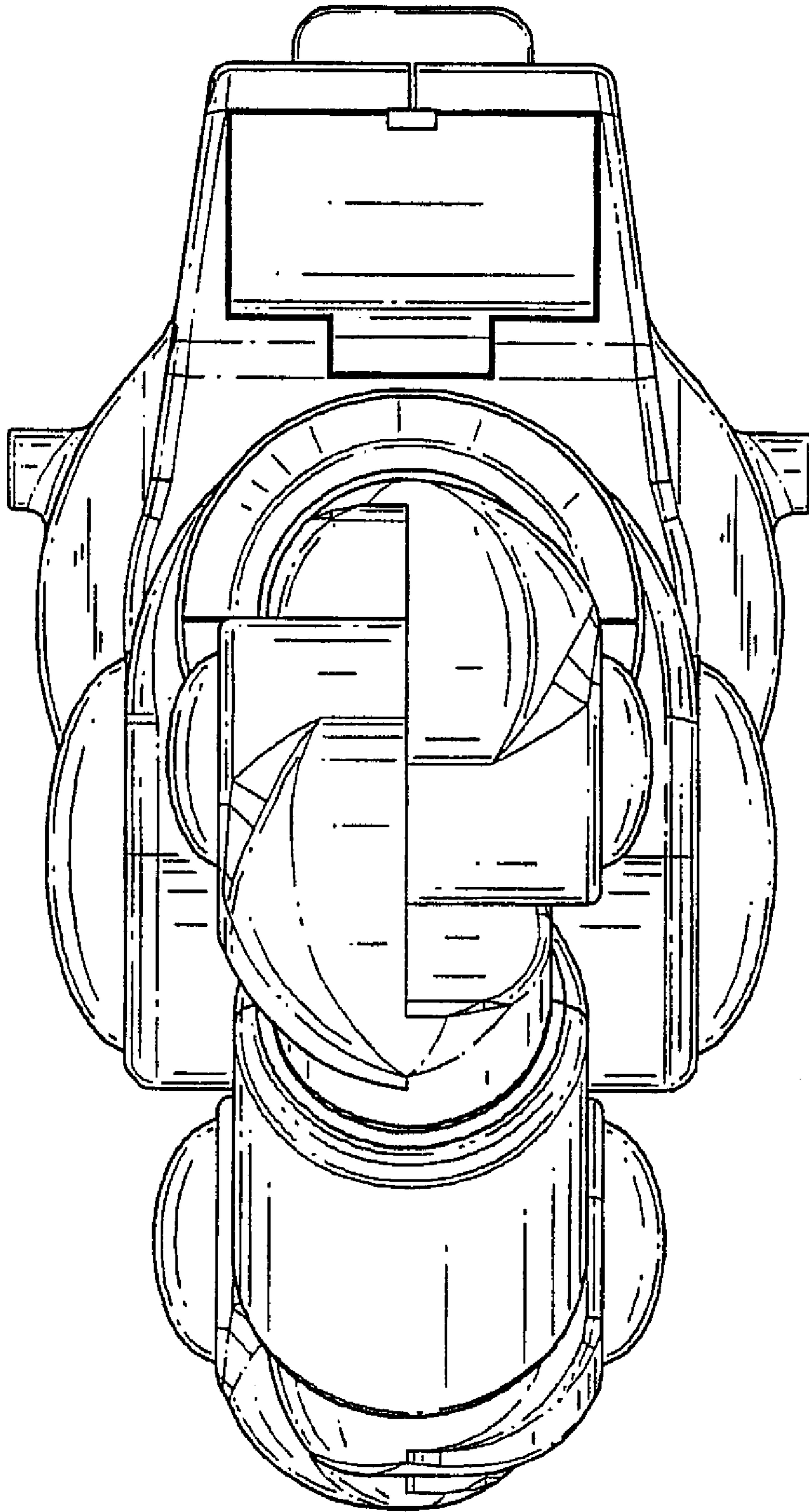


FIG. 17

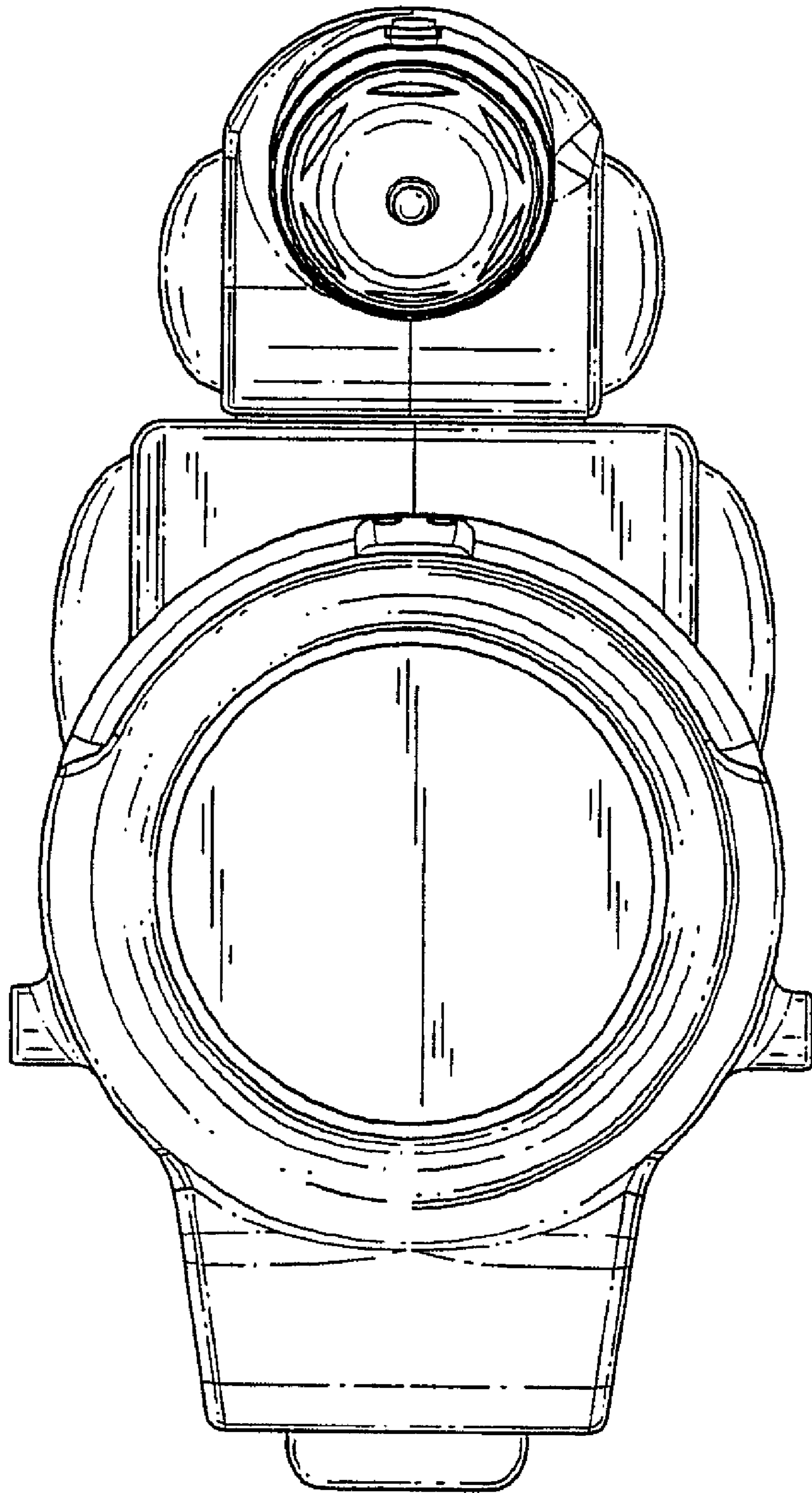


FIG. 18

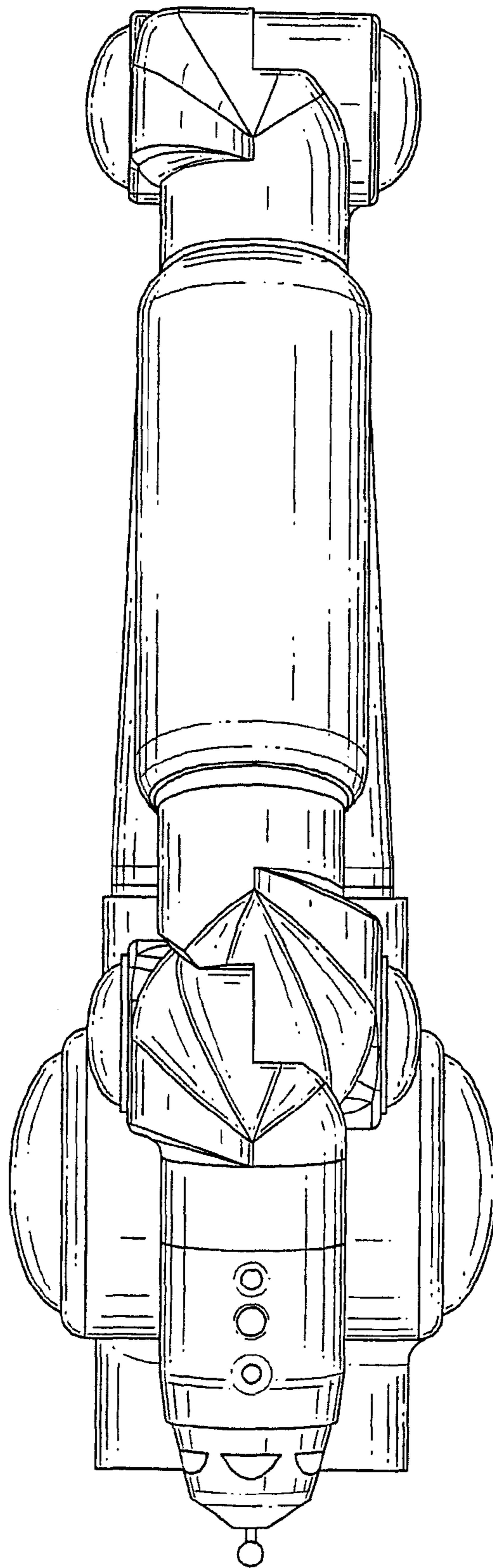


FIG. 19

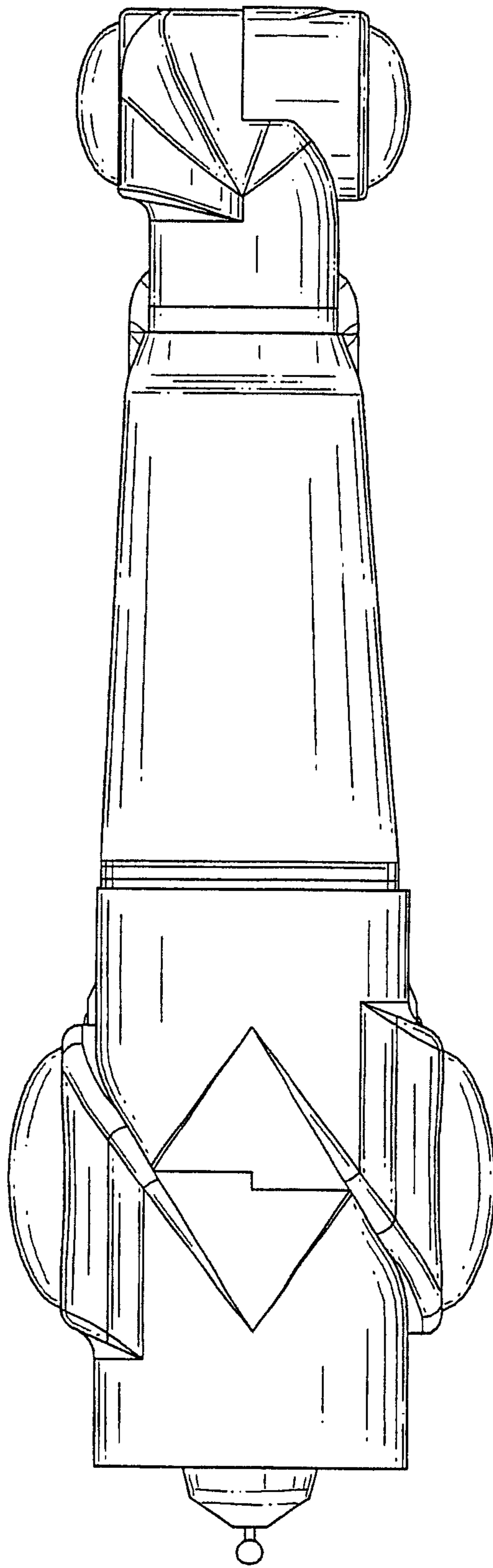


FIG. 20

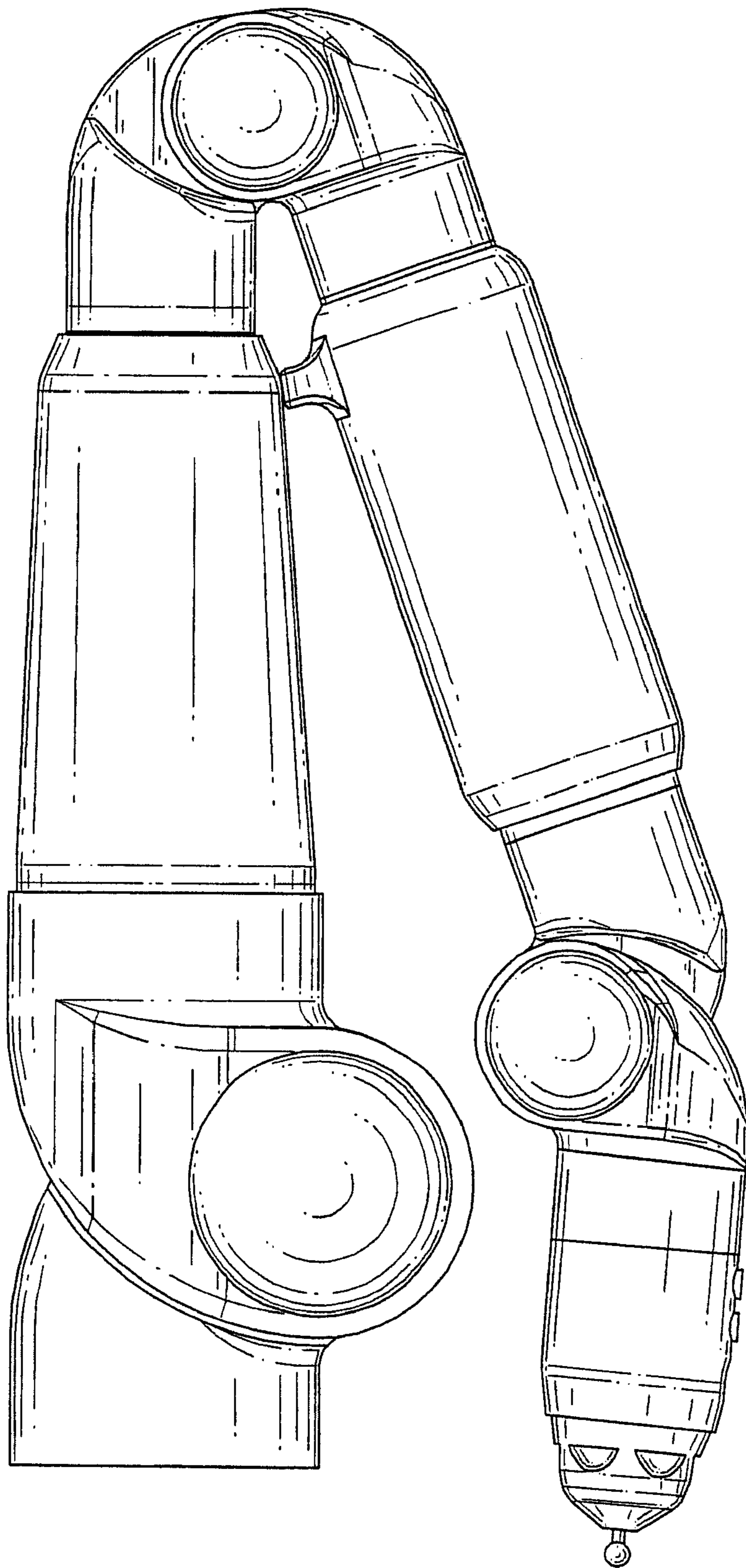


FIG. 21

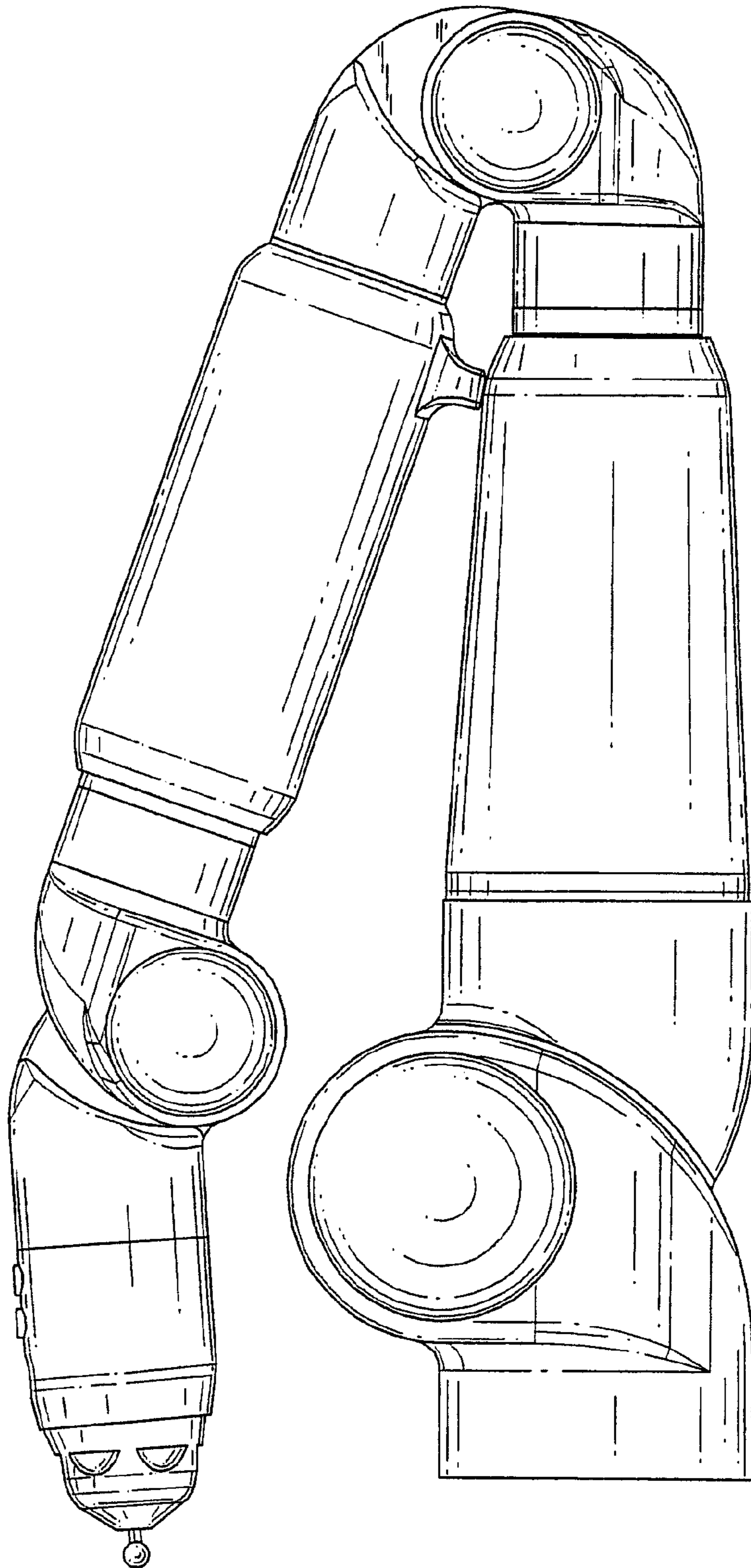


FIG. 22

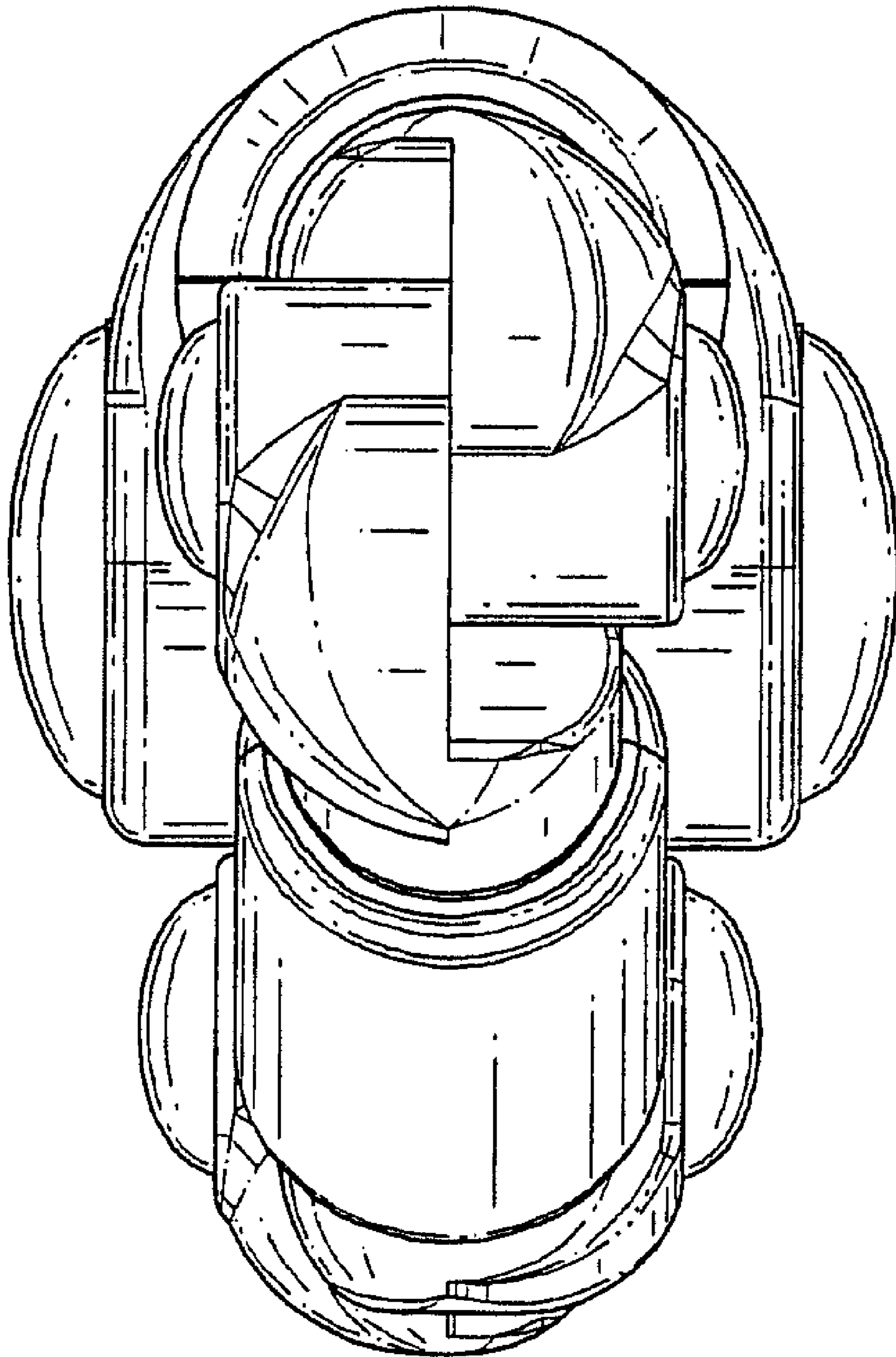


FIG. 23

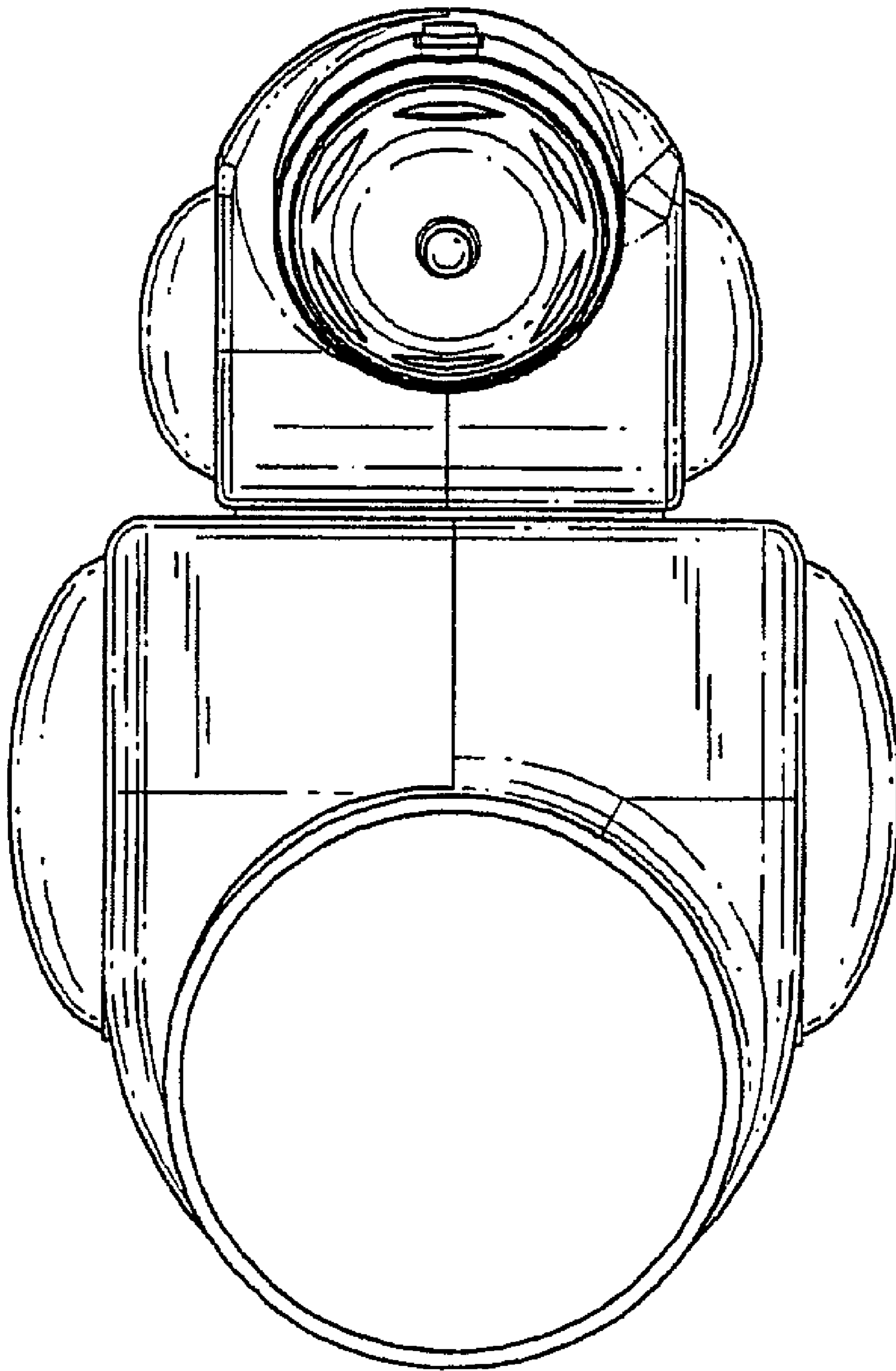


FIG. 24

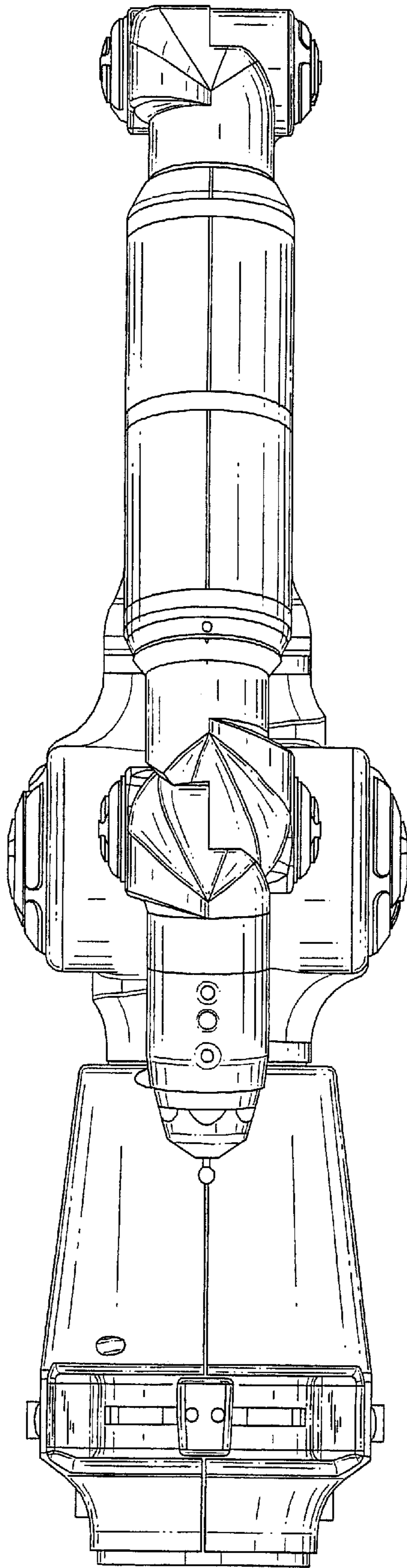


FIG. 25

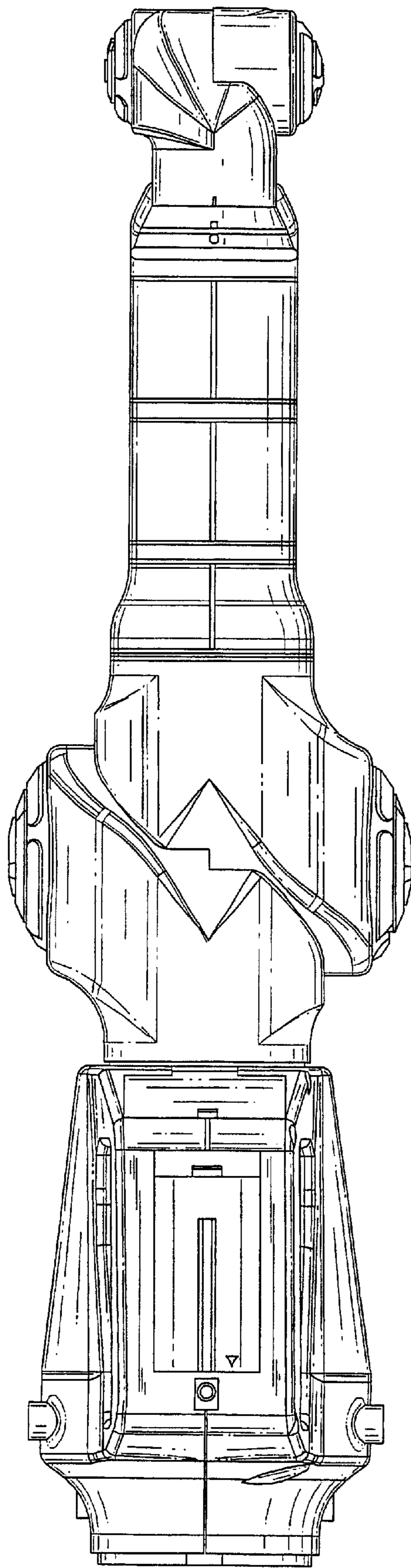


FIG. 26

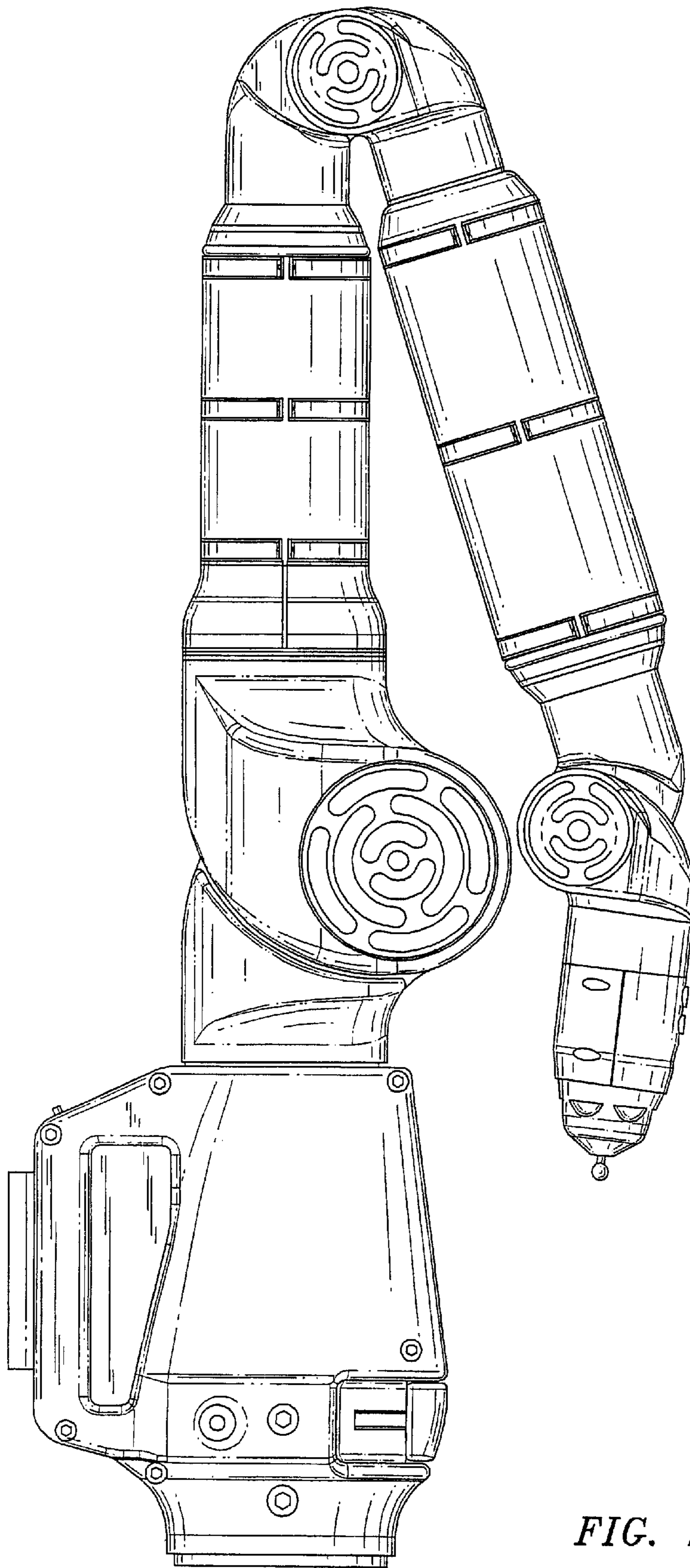


FIG. 27

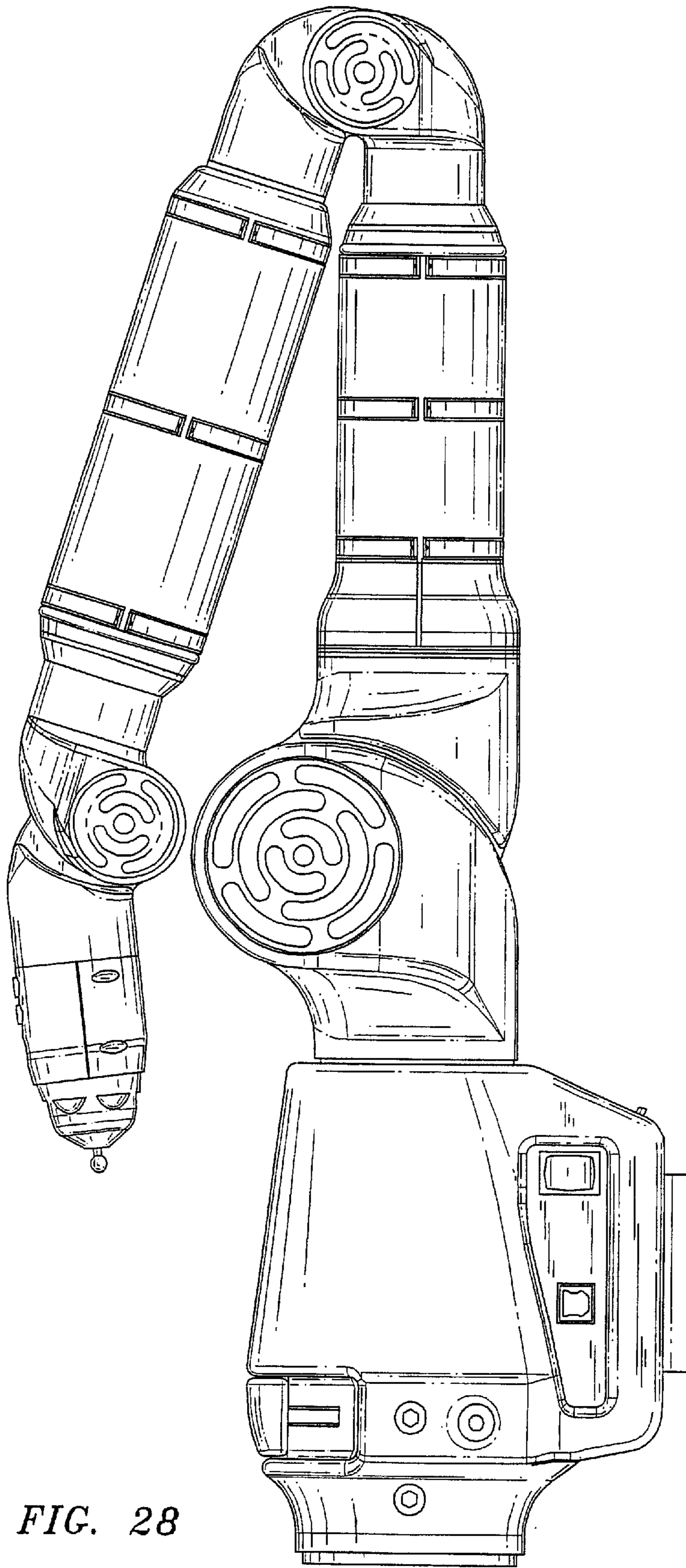


FIG. 28

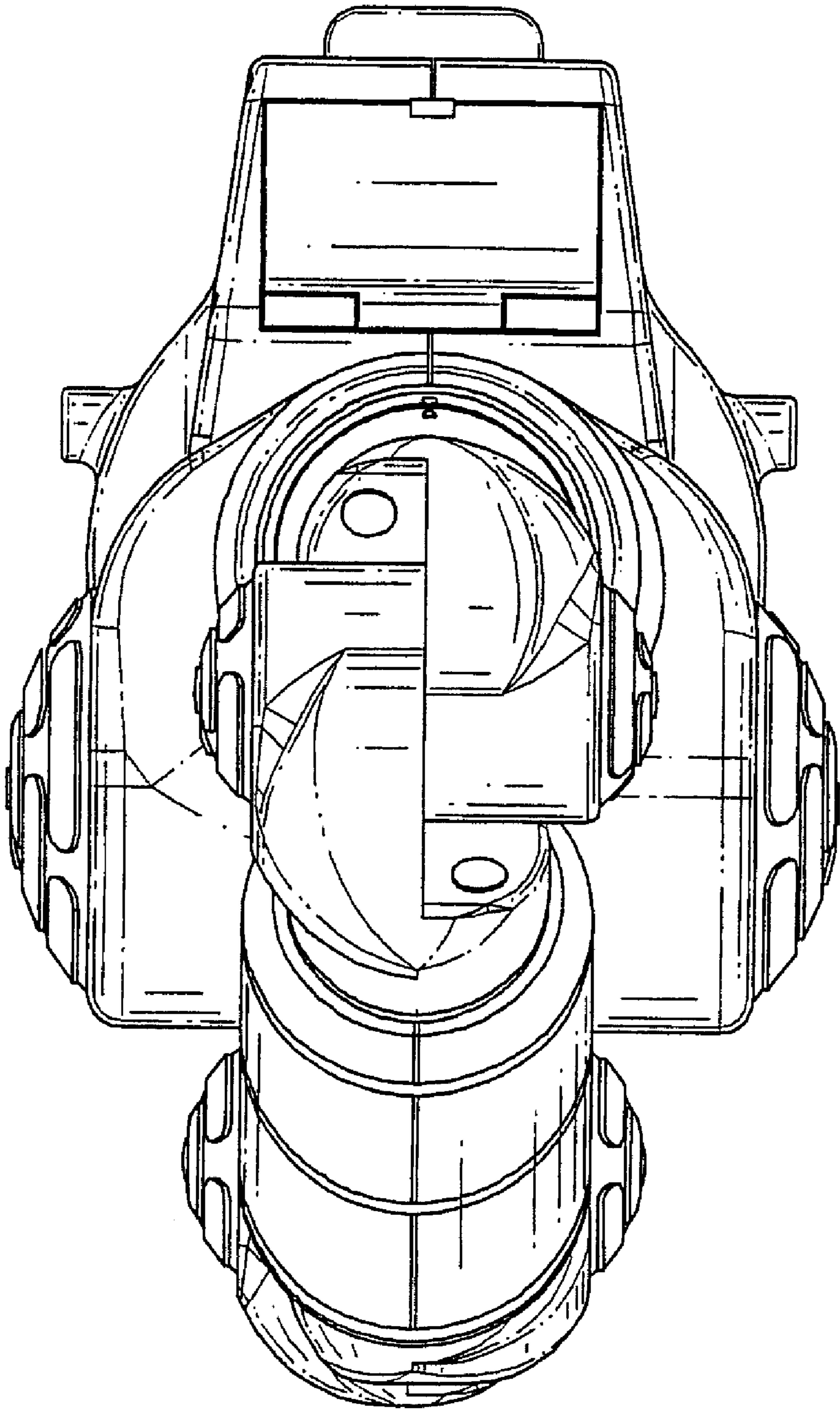


FIG. 29

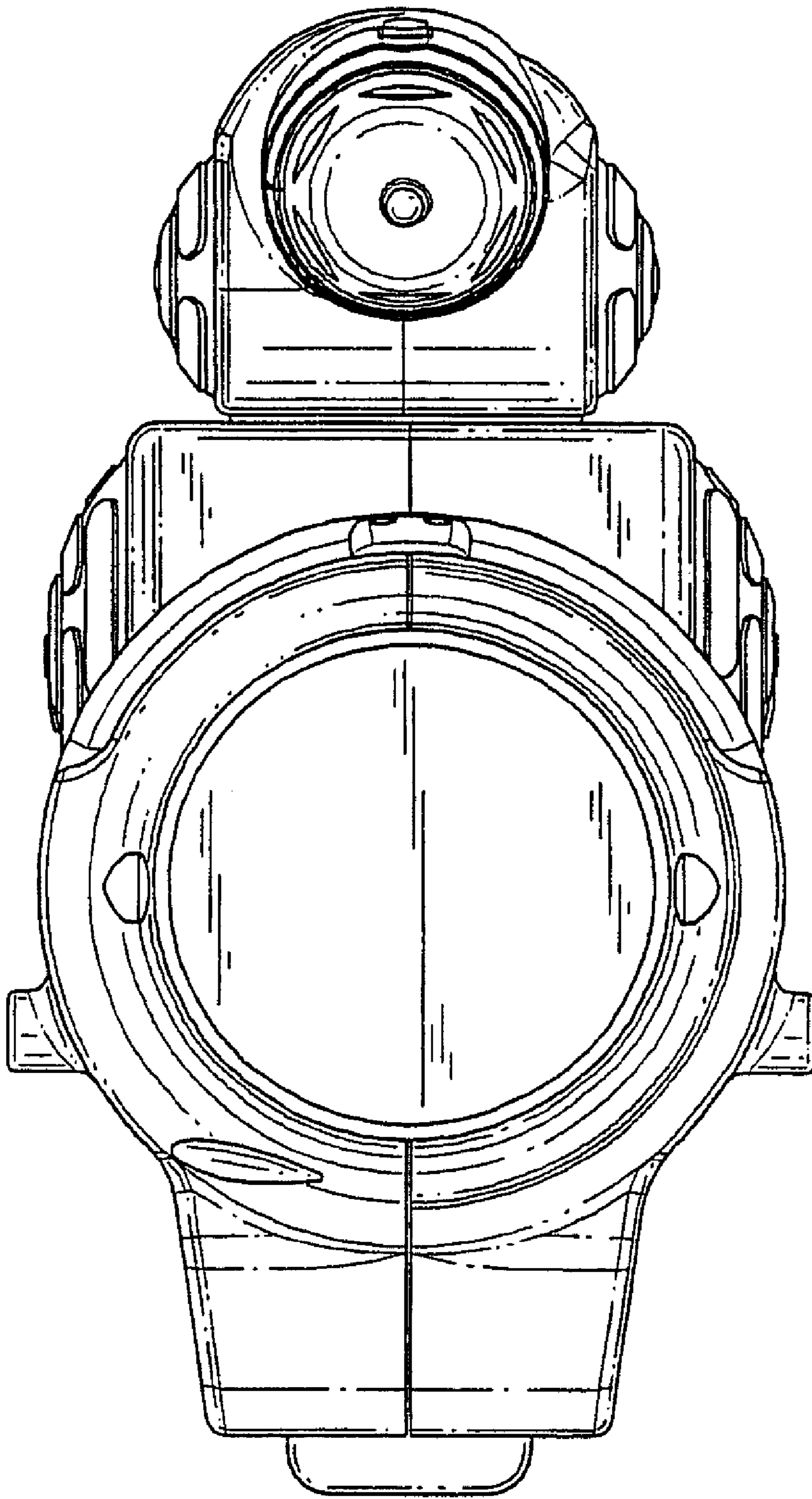


FIG. 30

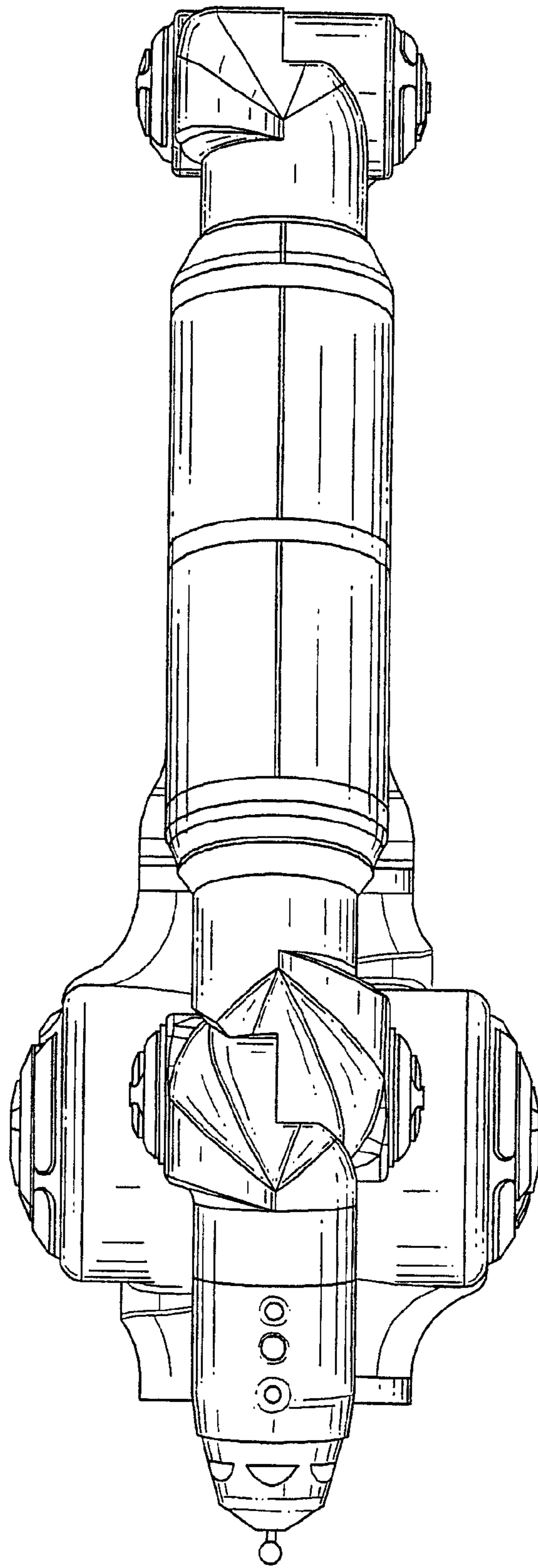


FIG. 31

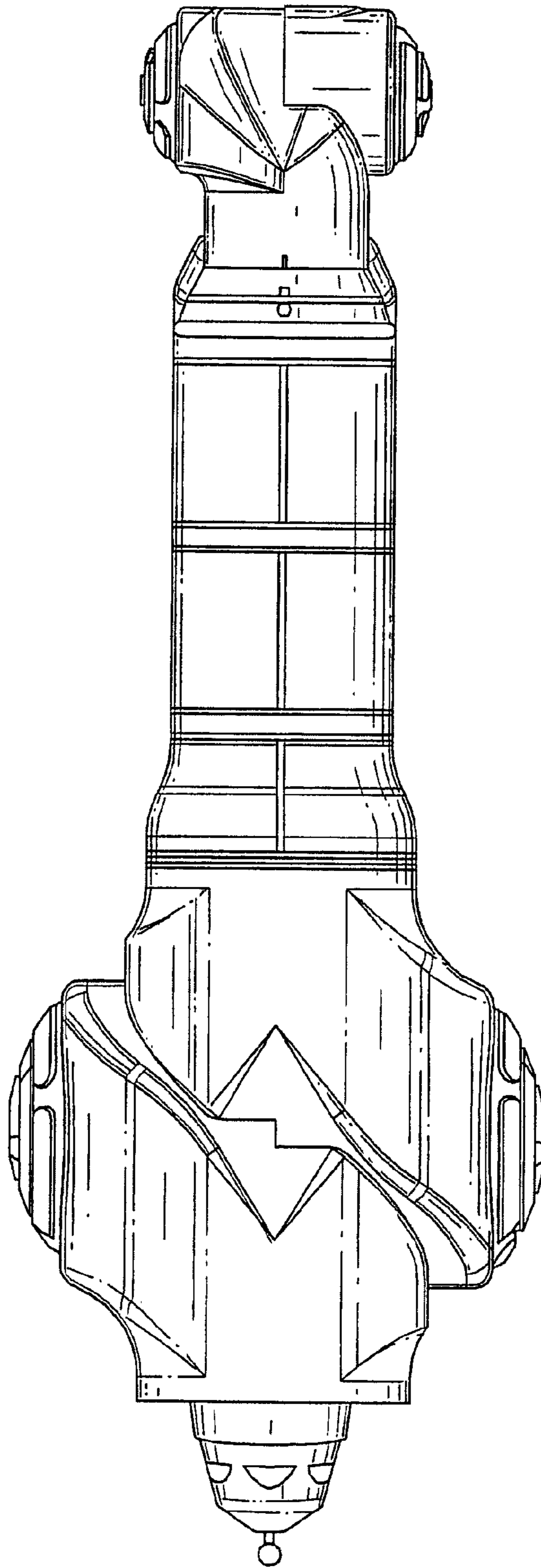


FIG. 32

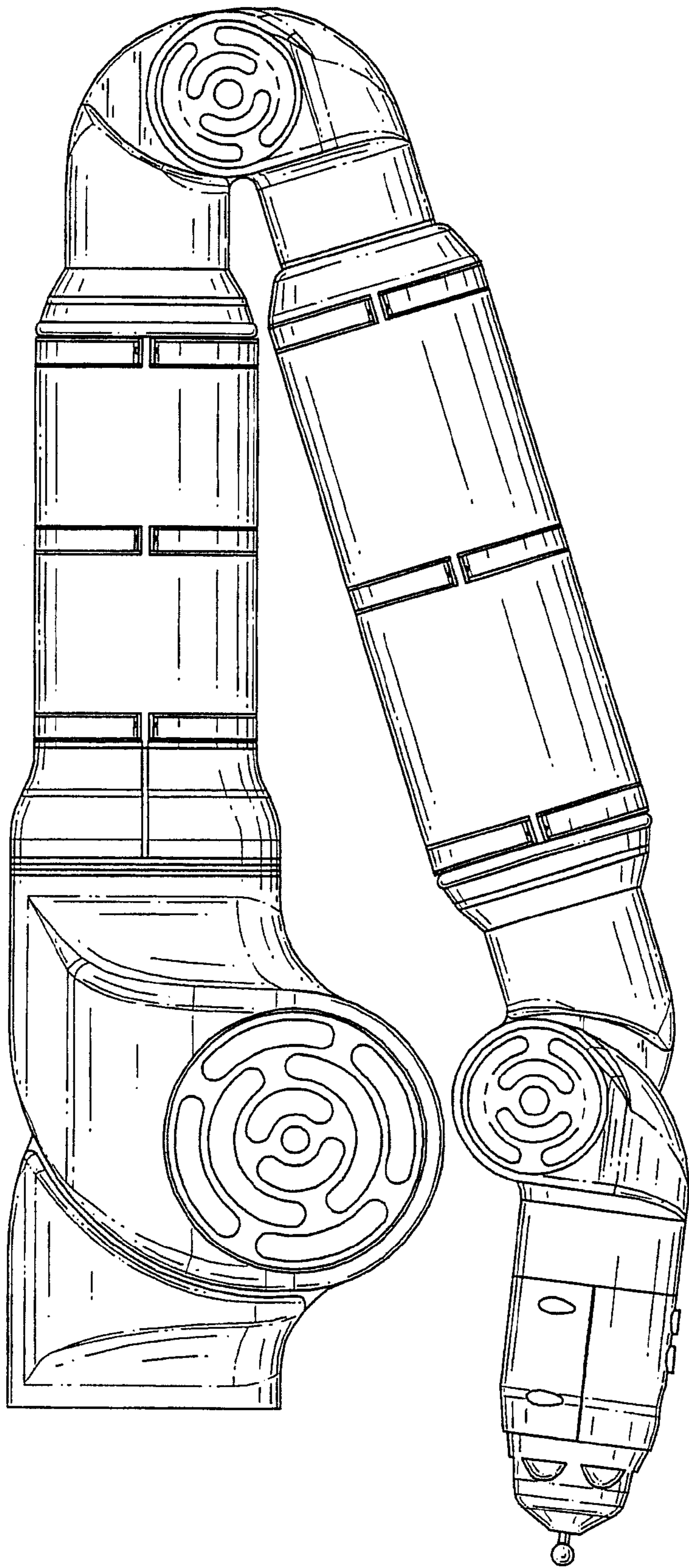


FIG. 33

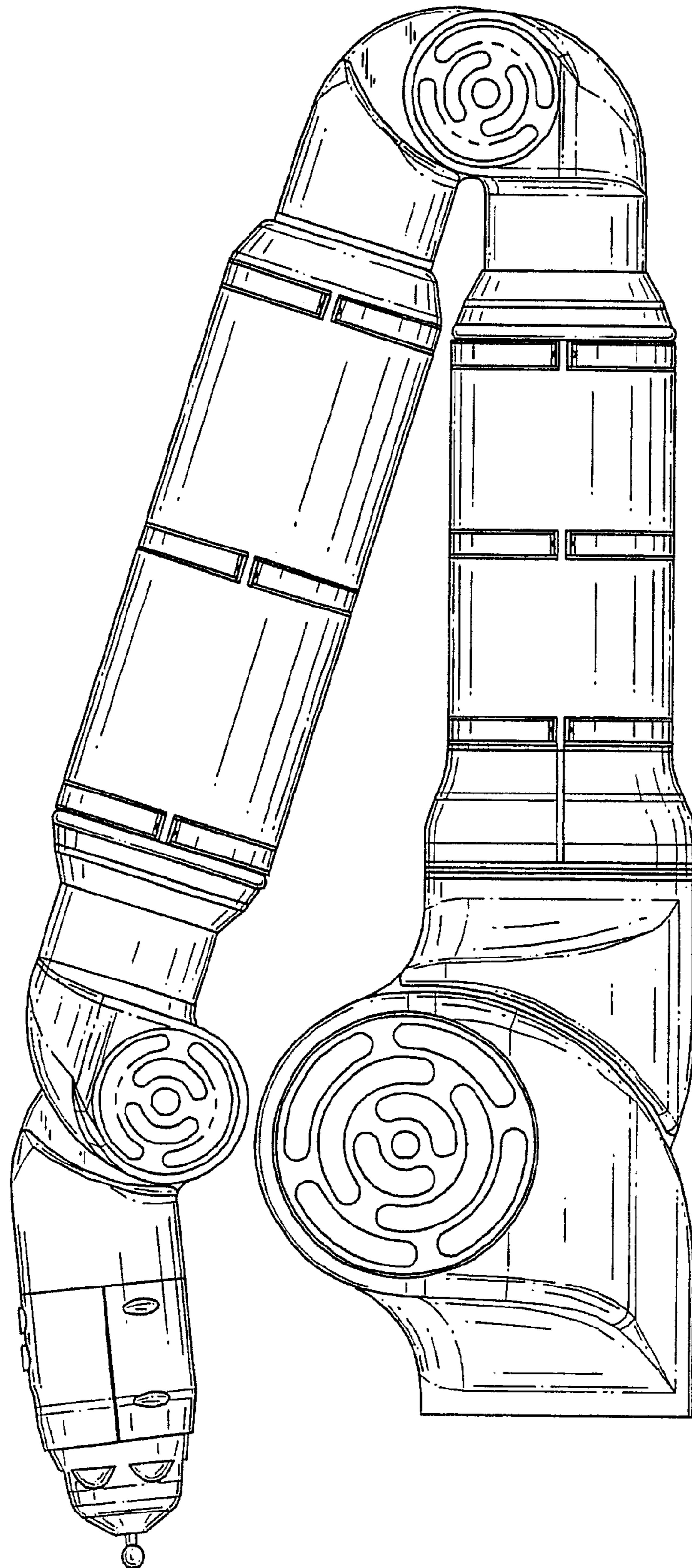


FIG. 34

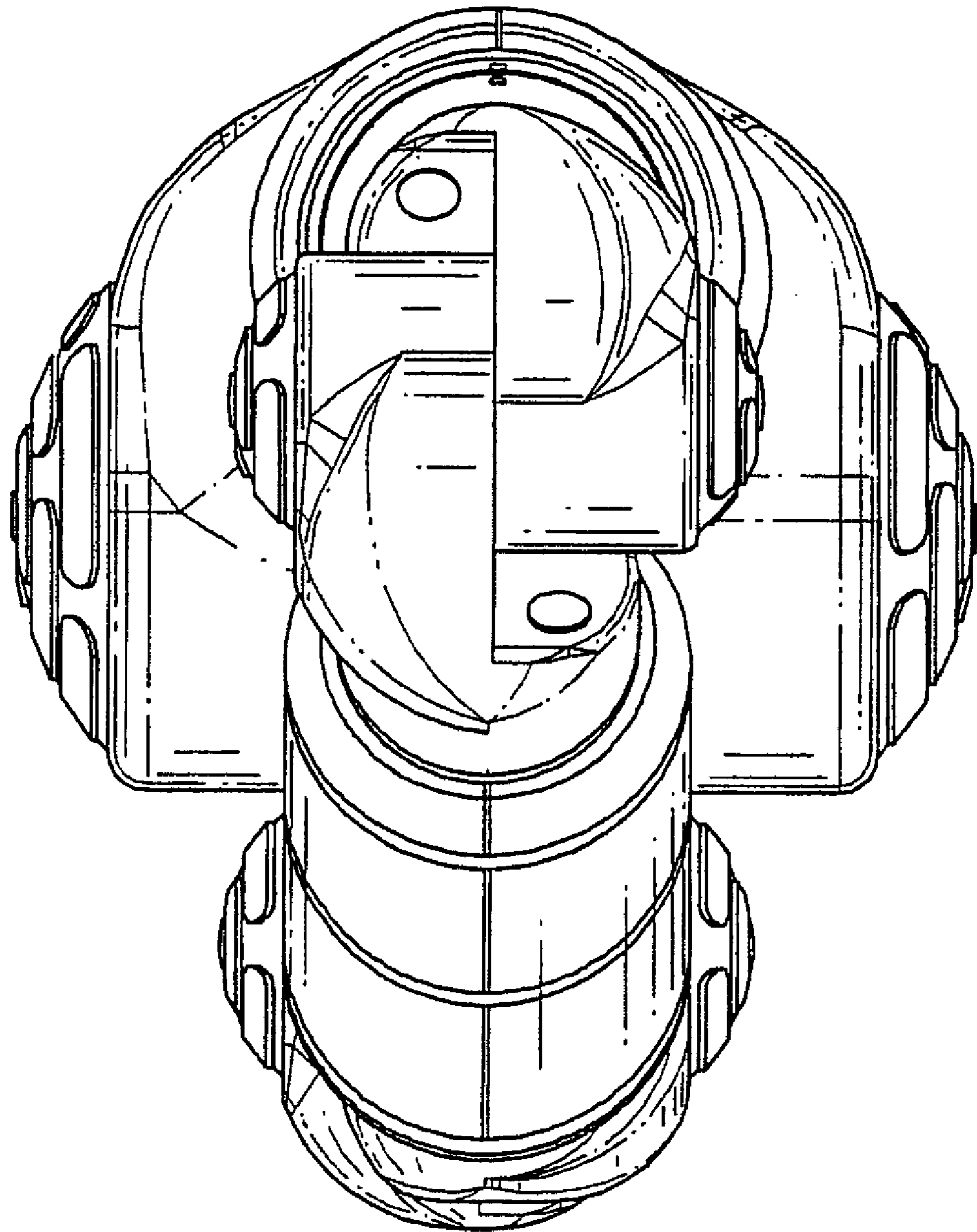


FIG. 35

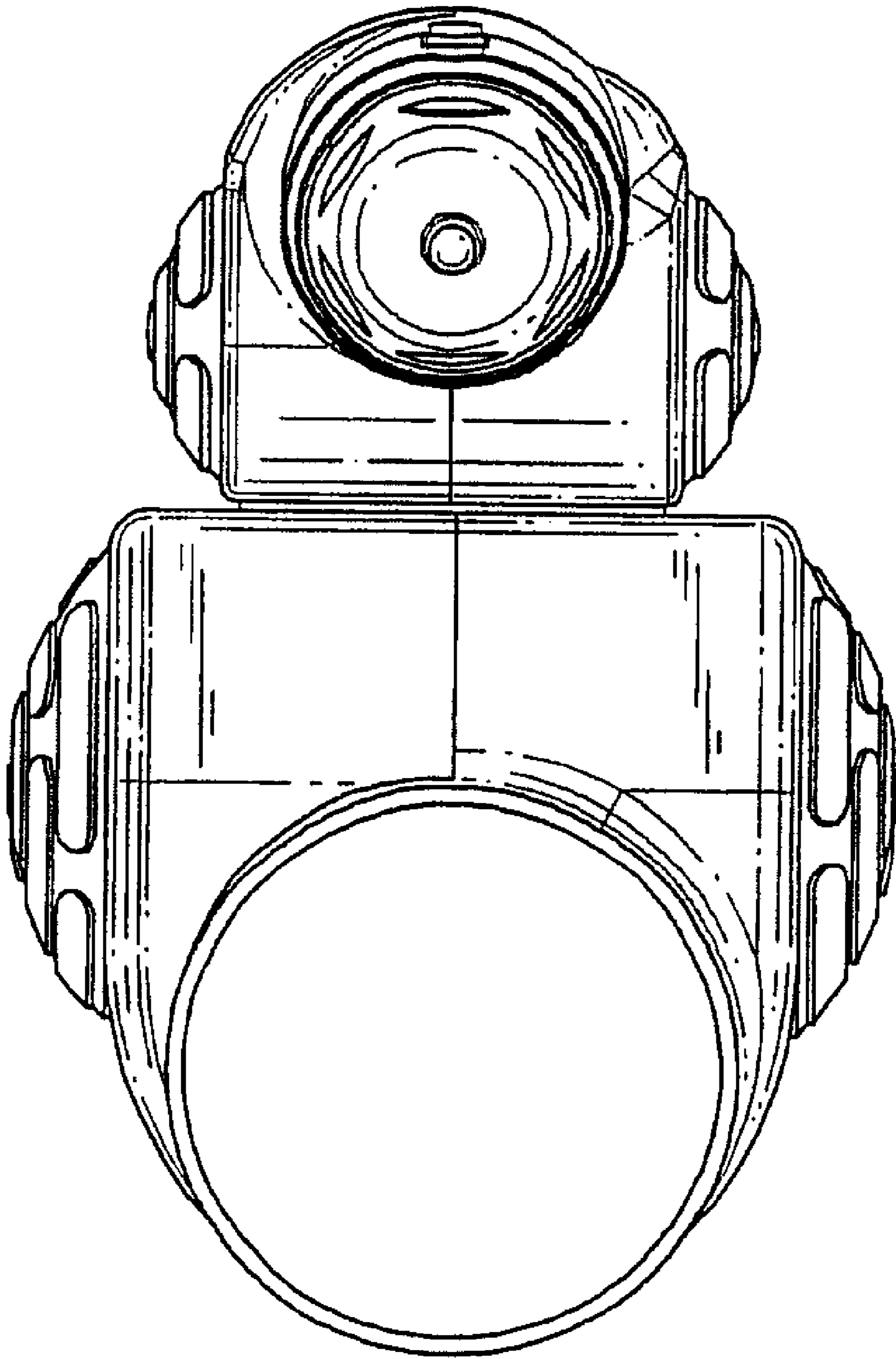


FIG. 36

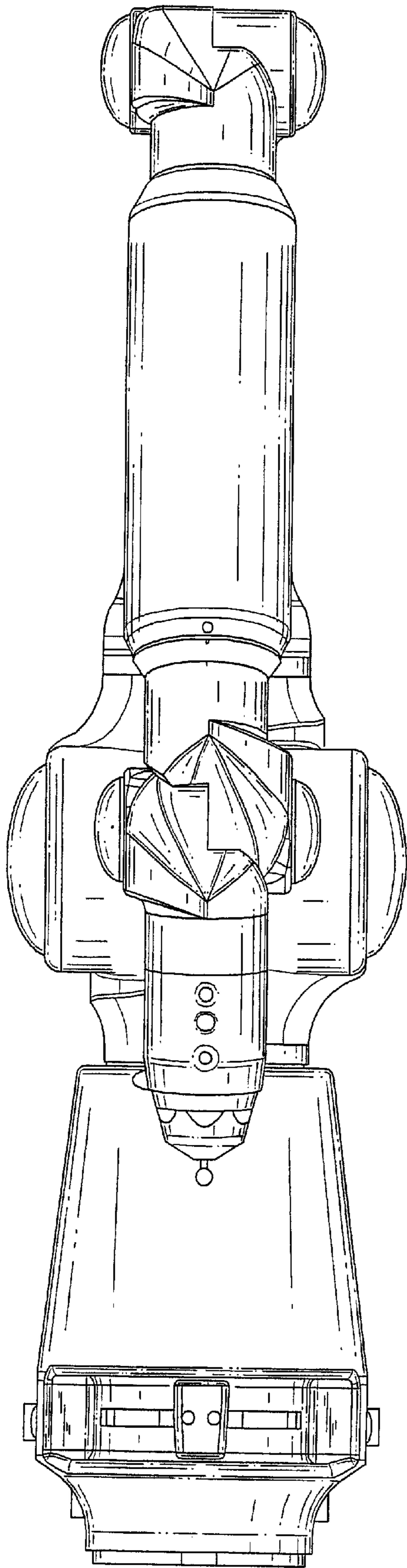


FIG. 37

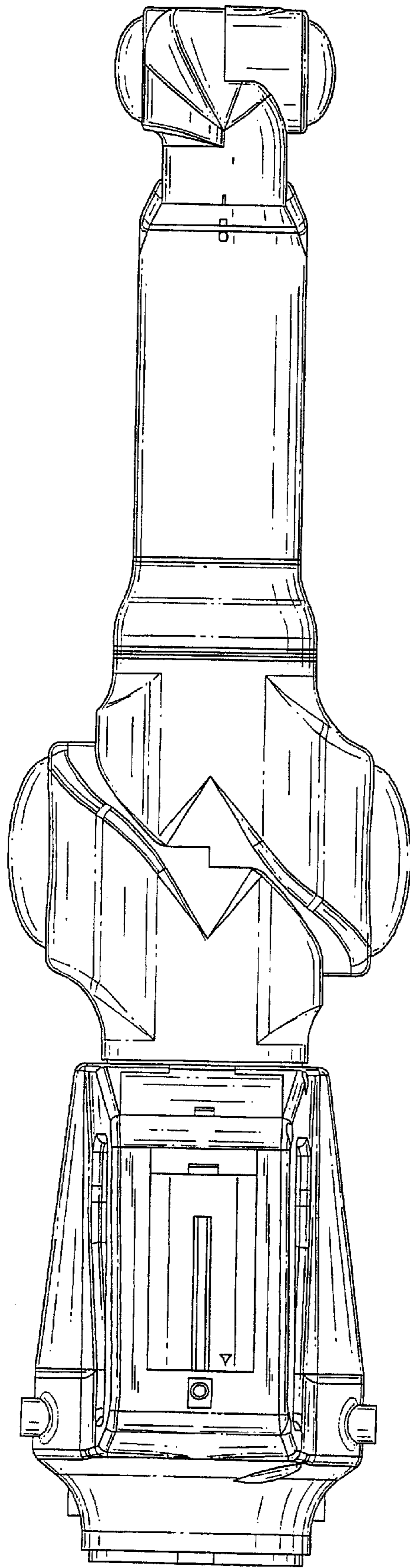


FIG. 38

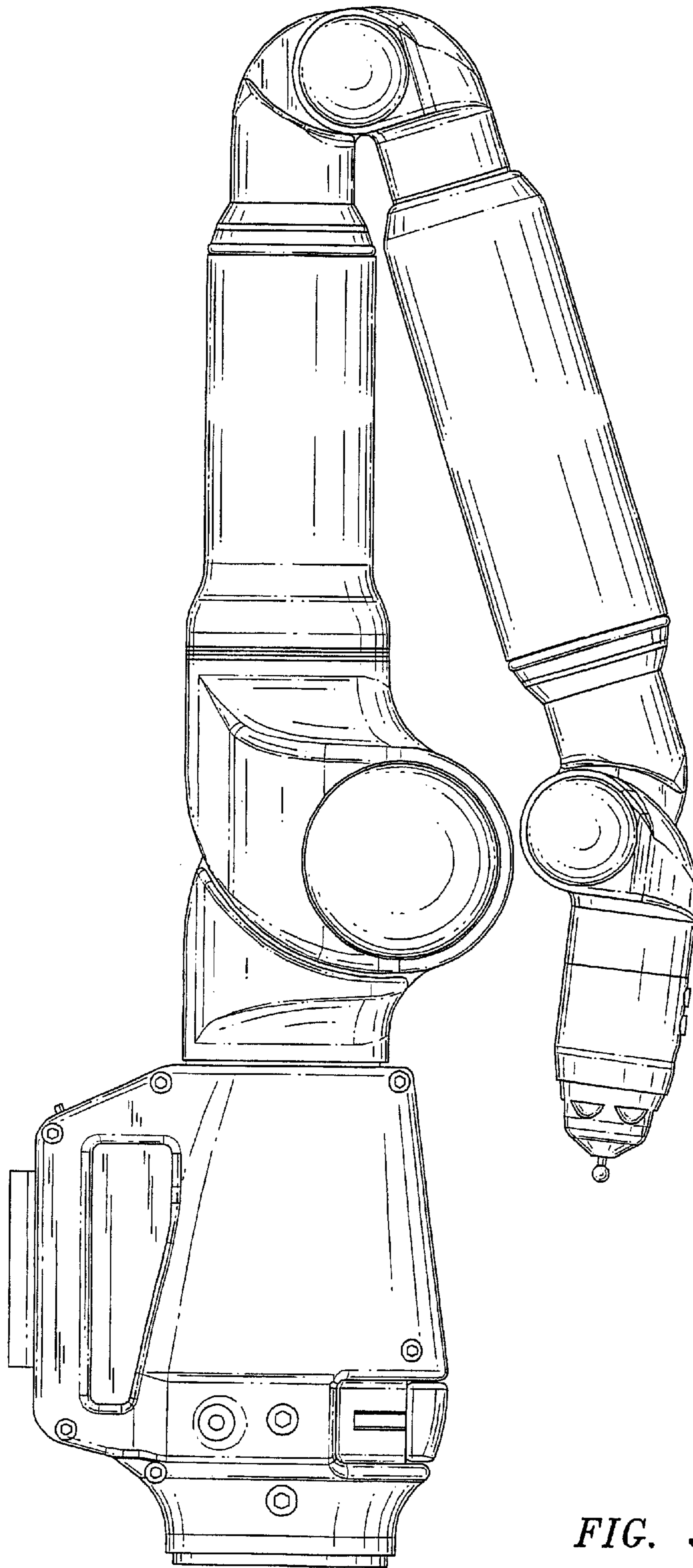


FIG. 39

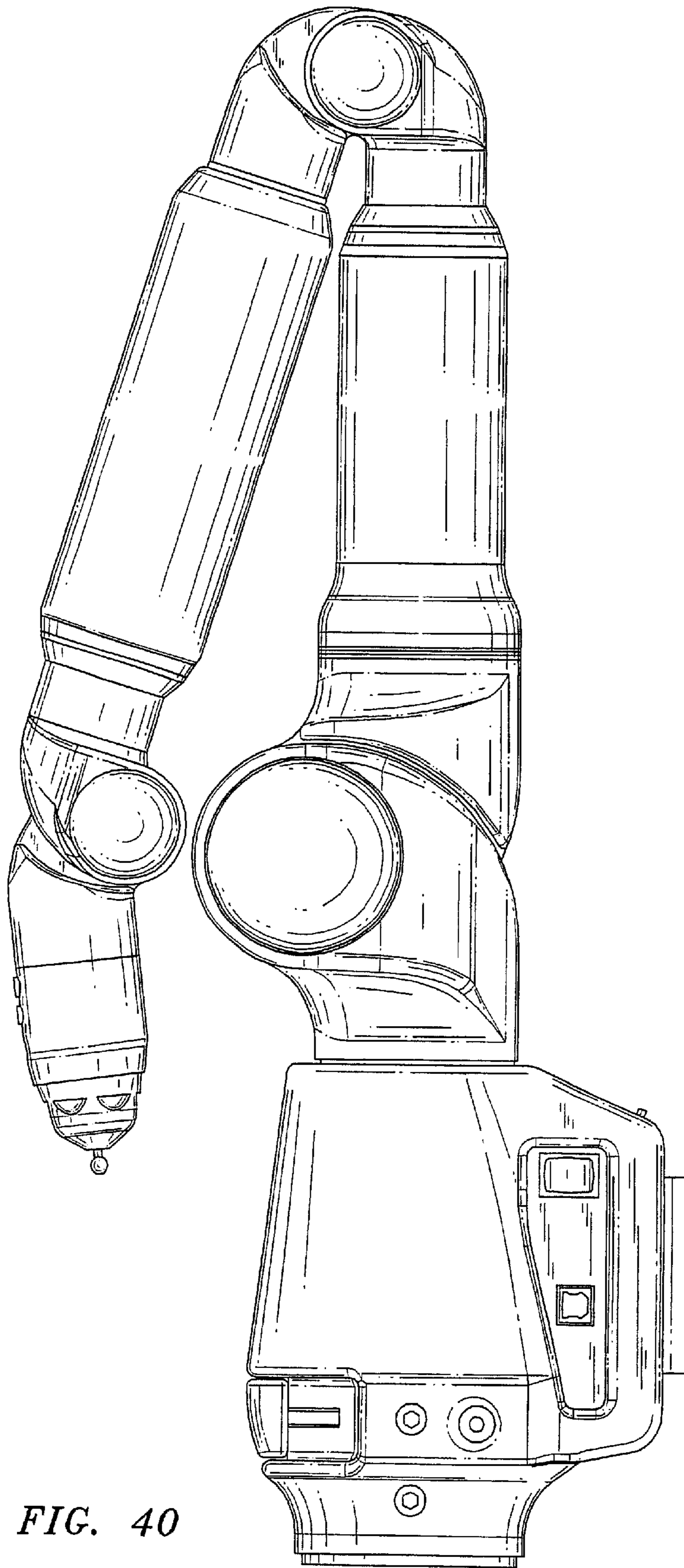


FIG. 40

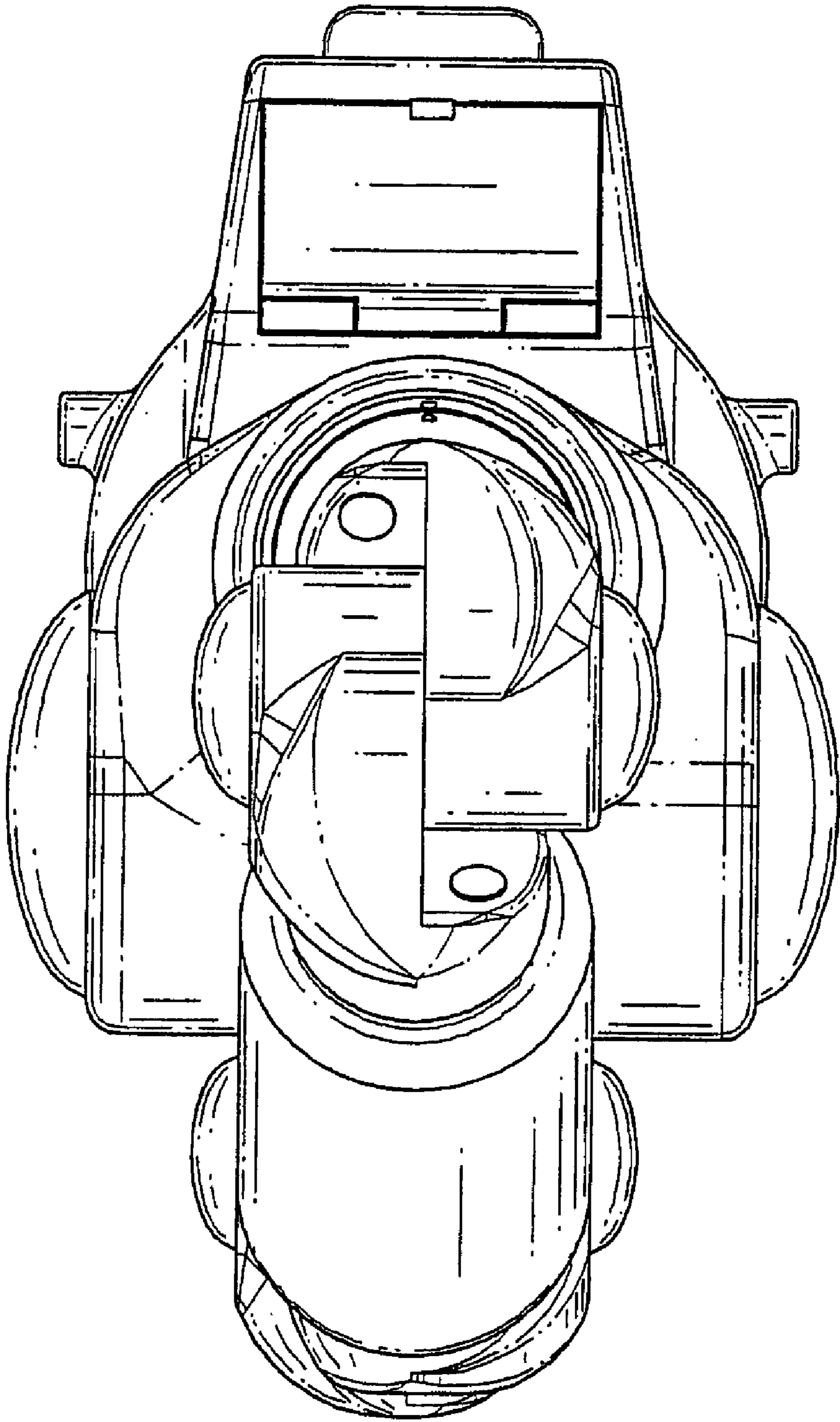


FIG. 41

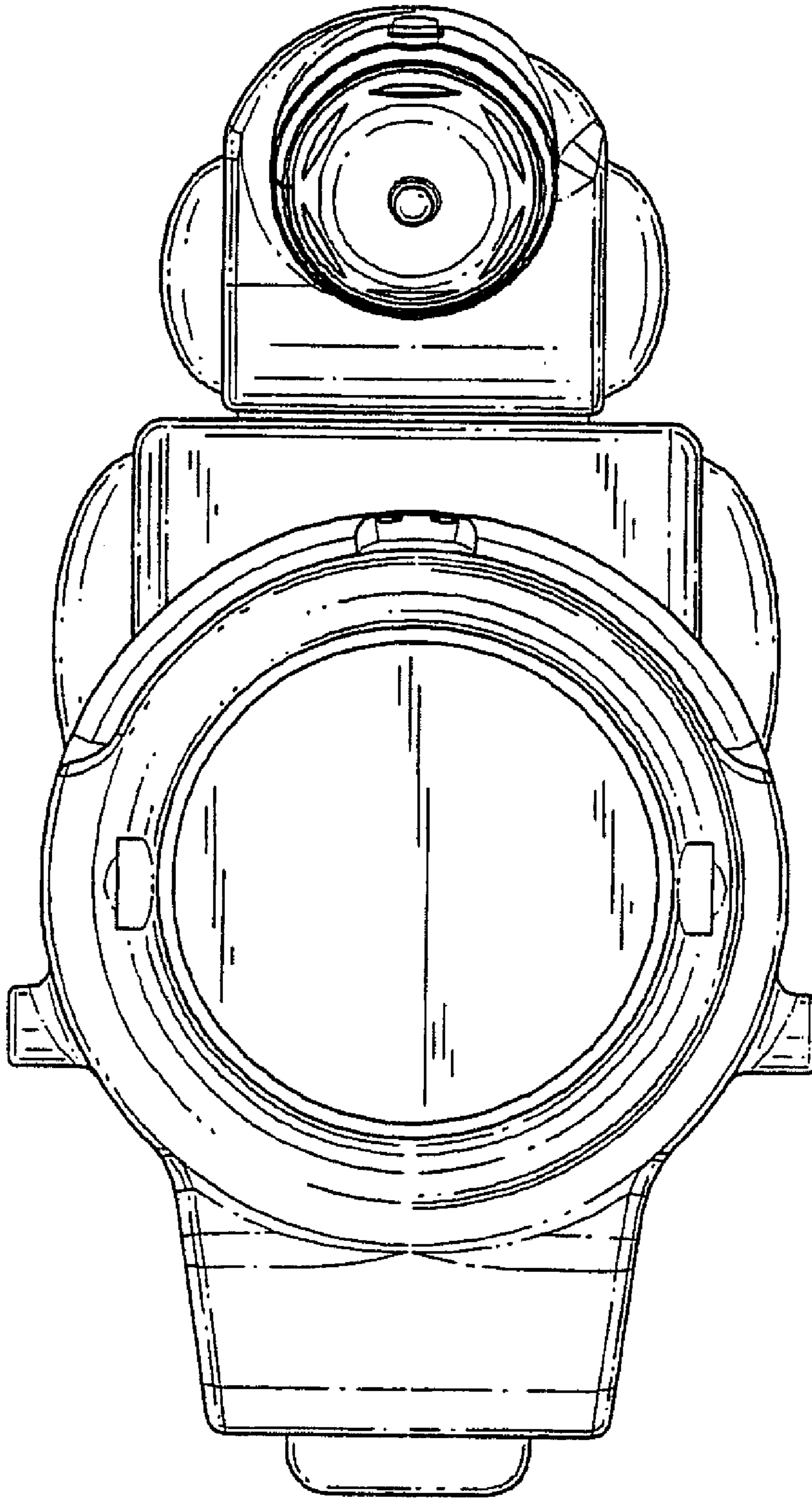


FIG. 42

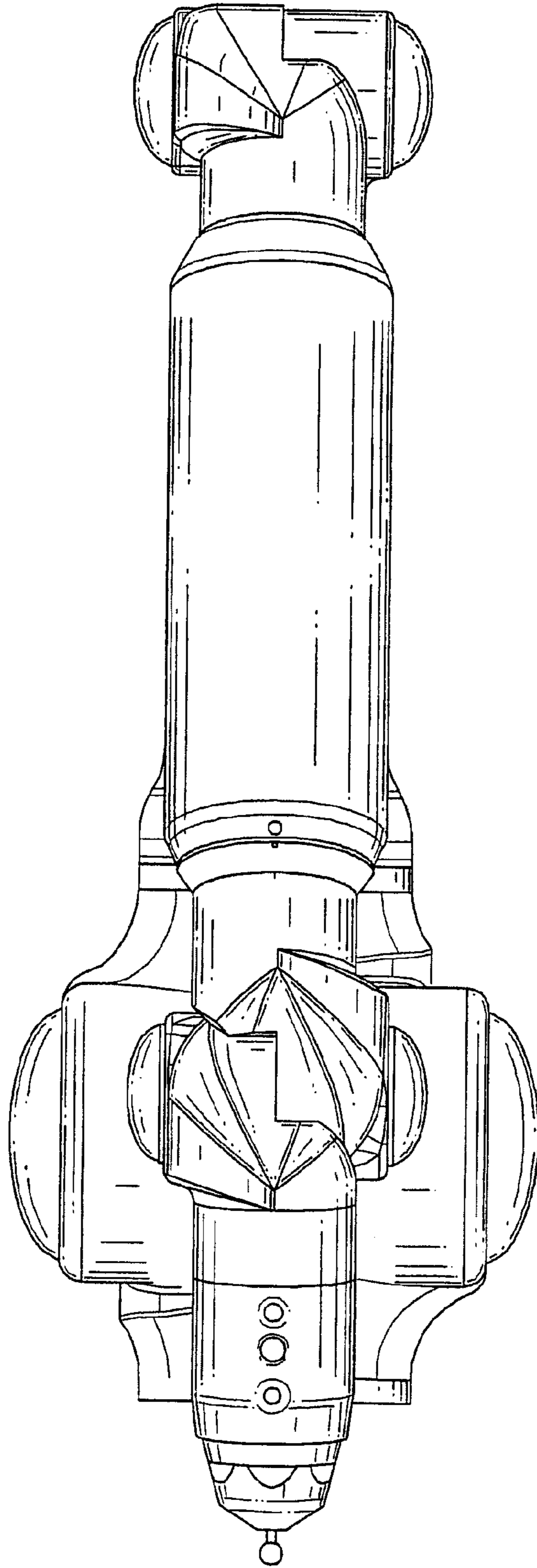


FIG. 43

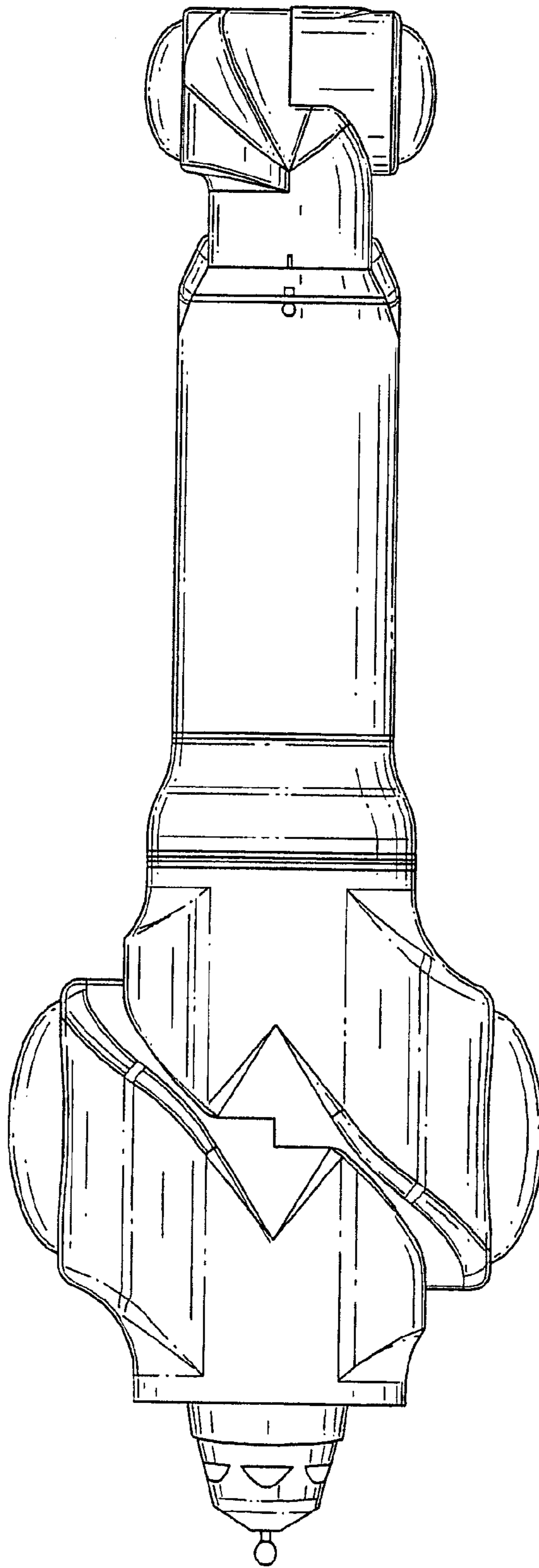


FIG. 44

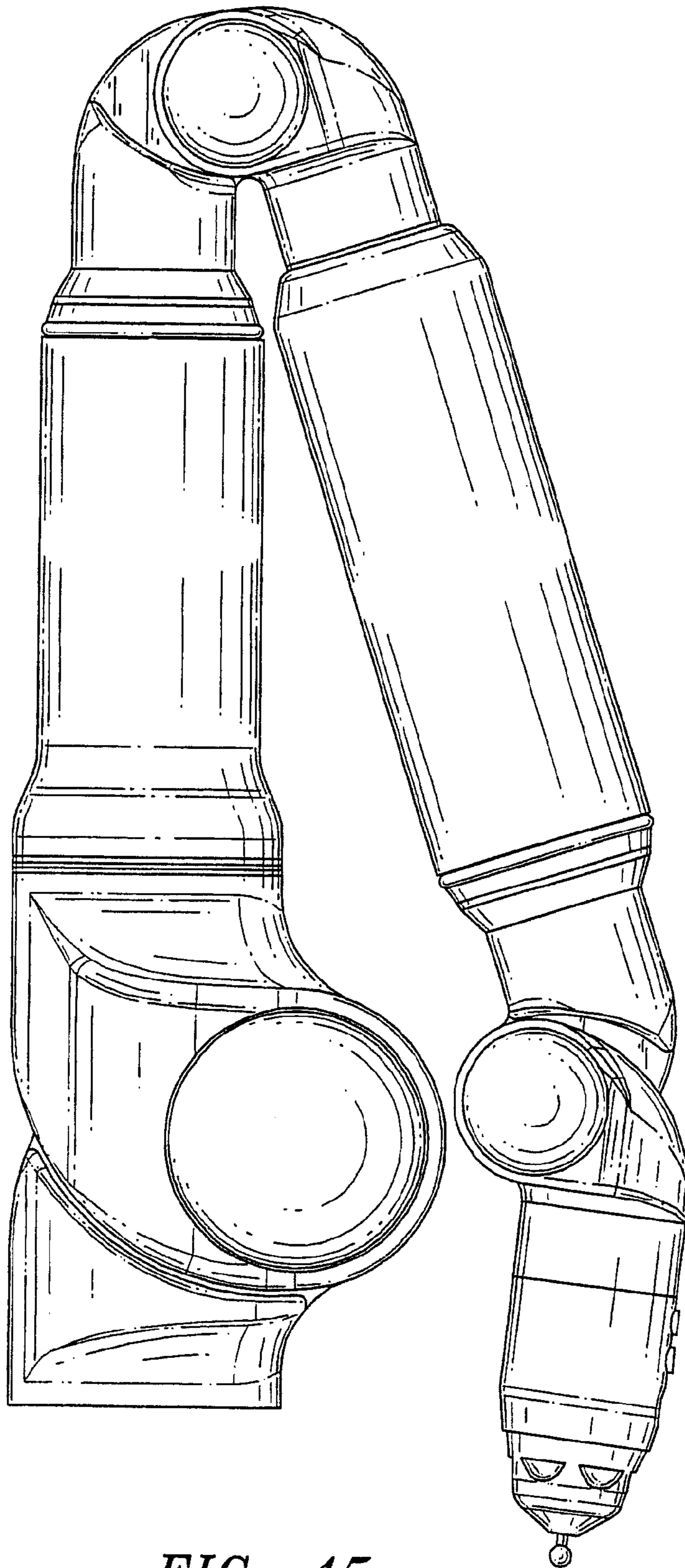


FIG. 45

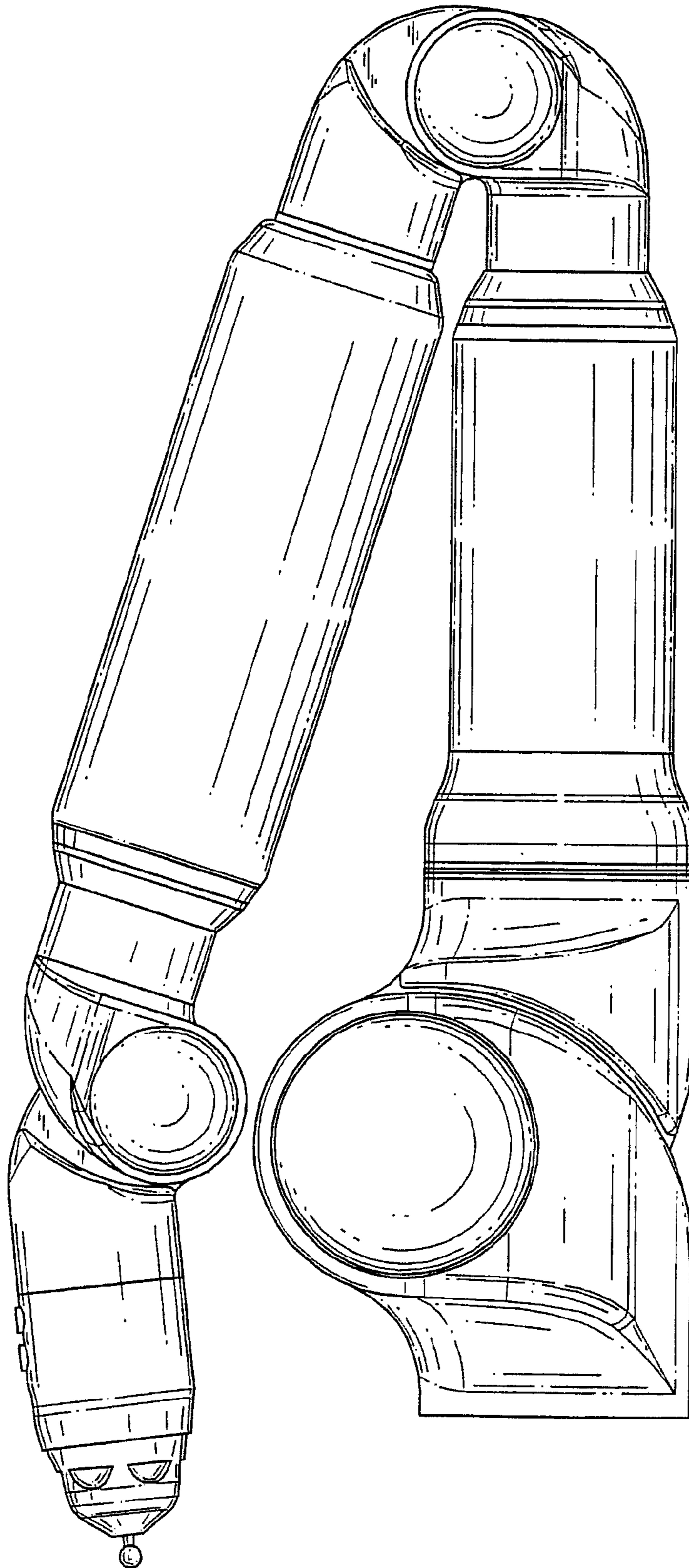


FIG. 46

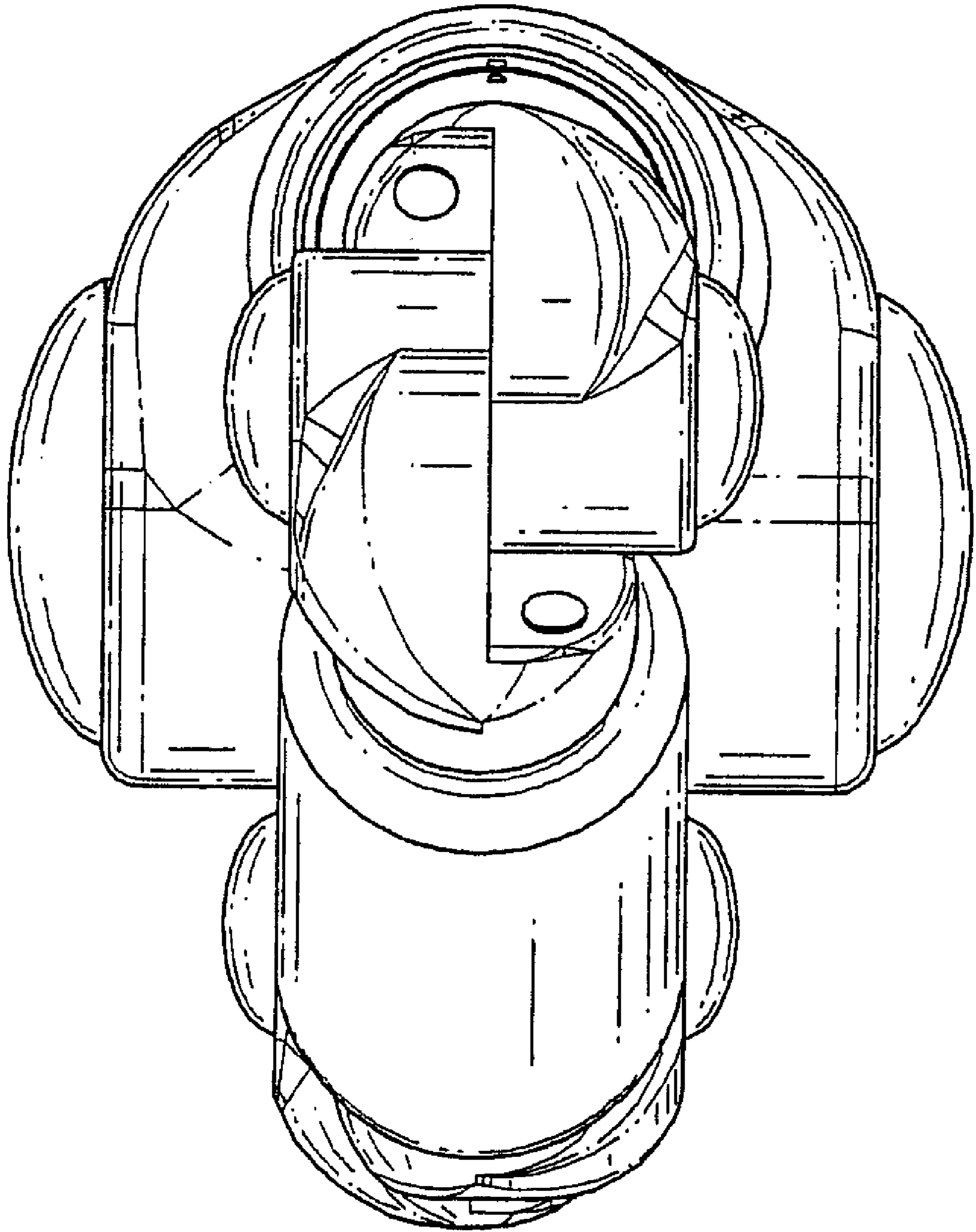


FIG. 47

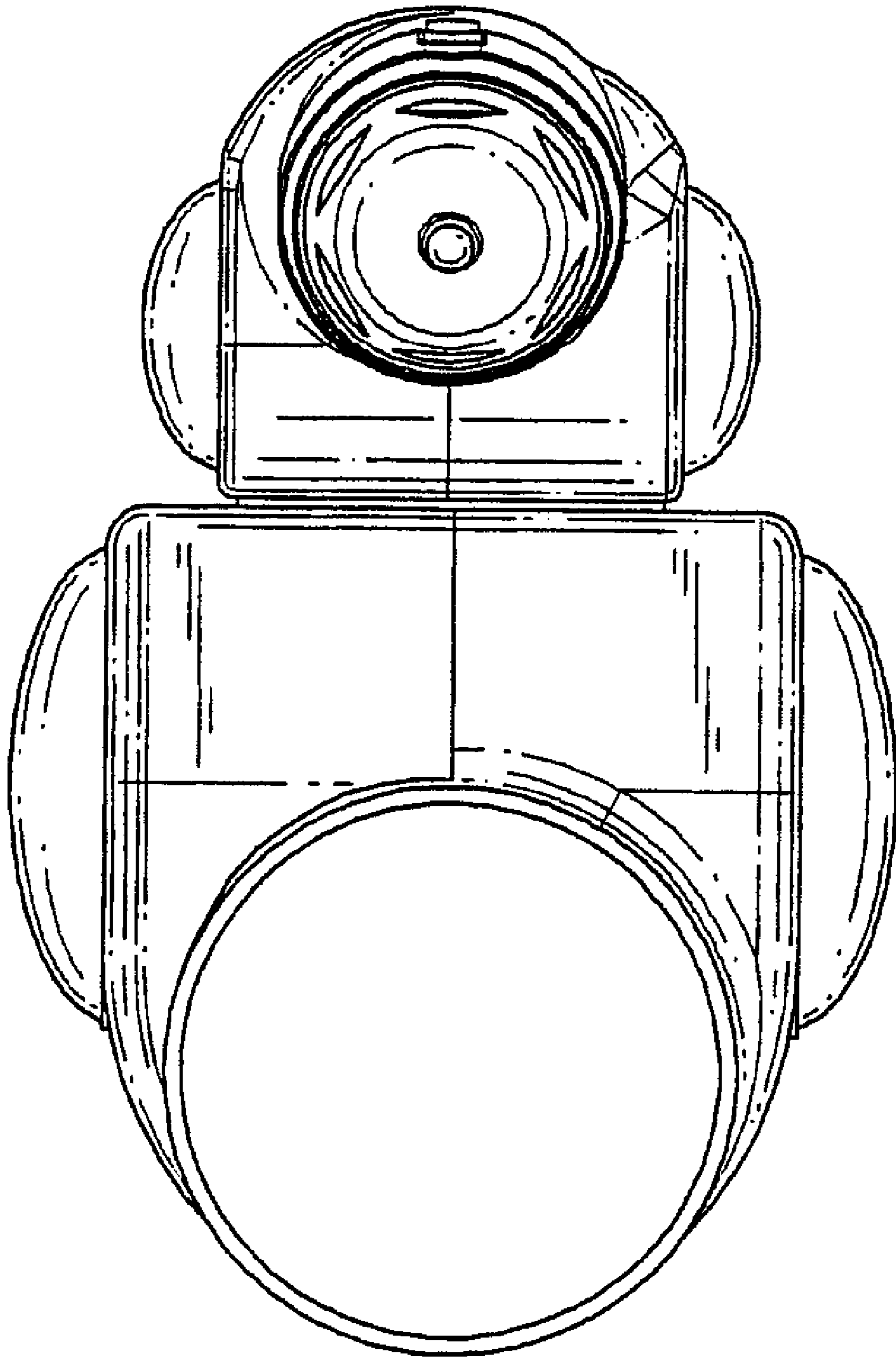


FIG. 48