



US00D472820S

(12) **United States Design Patent**
Ditullo et al.

(10) **Patent No.:** **US D472,820 S**

(45) **Date of Patent:** **** Apr. 8, 2003**

(54) **WATCH CASING**

(75) Inventors: **Michael Ditullo**, Bristol, CT (US);
Josephina Kim, Watertown, CT (US);
Karl Vanderbeek, New Haven, CT (US)

(73) Assignee: **Timex Group B.V.** (NL)

(**) Term: **14 Years**

(21) Appl. No.: **29/163,119**

(22) Filed: **Jun. 28, 2002**

(51) **LOC (7) Cl.** **10-02**

(52) **U.S. Cl.** **D10/30**

(58) **Field of Search** D10/1-40, 122-132;
368/280-282, 276-277, 28-30, 285, 239-242,
243-249, 82-84, 41-44

- D403,252 S * 12/1998 Hanagata D10/38
- D407,025 S * 3/1999 Hanagata D10/30
- D411,115 S * 6/1999 Houlihan et al. D10/30
- D417,399 S * 12/1999 Sugisawa D10/30
- D424,451 S * 5/2000 Houlihan D10/30
- D441,302 S * 5/2001 Tomimatsu D10/30
- D442,499 S * 5/2001 Syoubayashi D10/30
- D450,603 S * 11/2001 Rantala D10/38
- D452,169 S * 12/2001 Syoubayashi D10/30
- D453,903 S * 2/2002 Riley D10/30
- D457,440 S * 5/2002 Streltsov D10/30
- D463,293 S * 9/2002 Streltsov D10/30

* cited by examiner

Primary Examiner—Nelson C. Holtje

(74) *Attorney, Agent, or Firm*—Carmody & Torrance LLP

(57) **CLAIM**

The ornamental design for a watch casing, as shown and described.

DESCRIPTION

FIG. 1 is a top plan view for a watch casing showing our new design;

FIG. 2 is a left side elevational view thereof;

FIG. 3 is a right side elevational view thereof;

FIG. 4 is a first end elevational view thereof;

FIG. 5 is a second end elevational view thereof; and,

FIG. 6 is a bottom plan view.

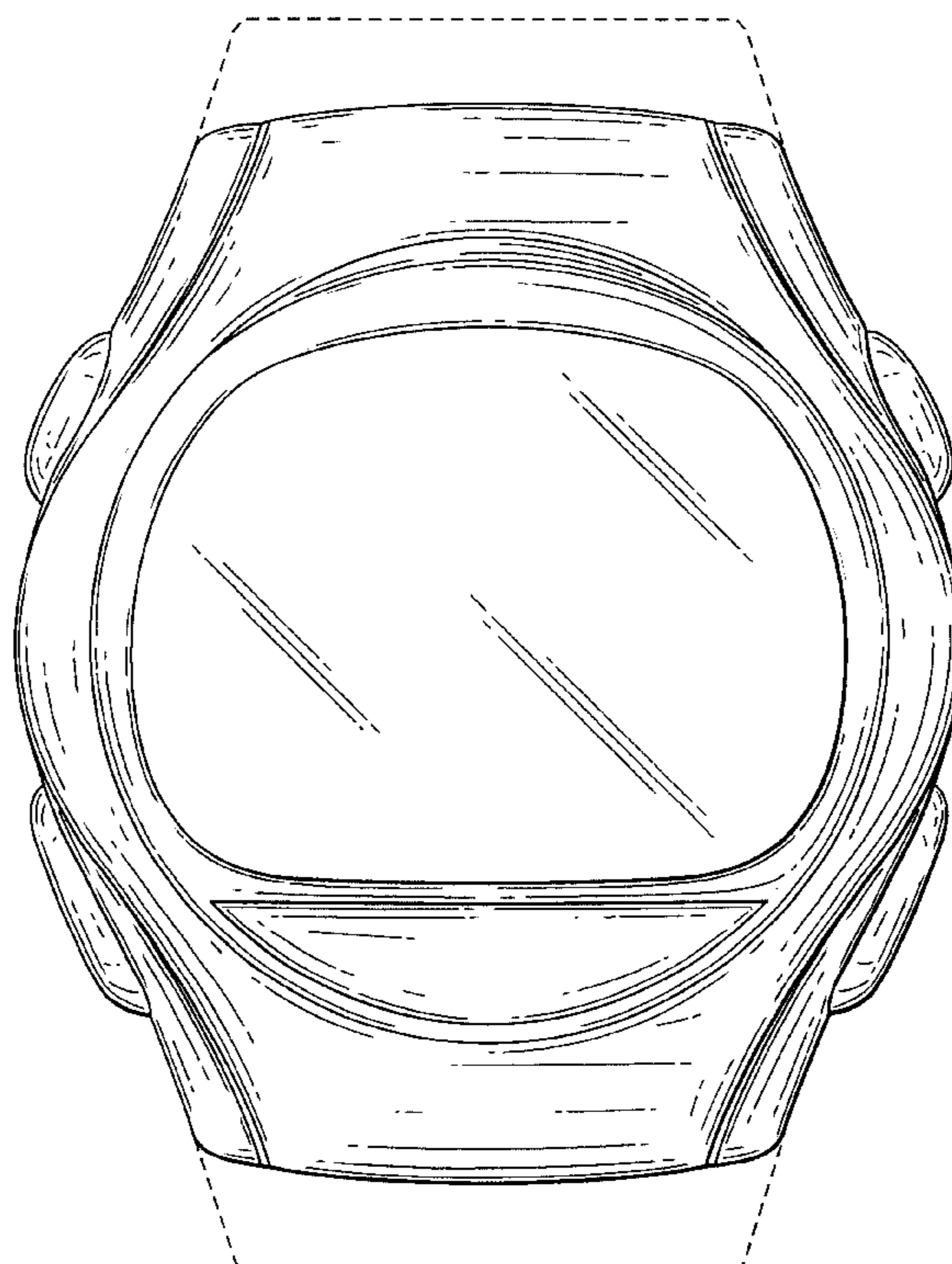
The broken-line showings are environmental only and form no part of the claimed design.

1 Claim, 6 Drawing Sheets

(56) **References Cited**

U.S. PATENT DOCUMENTS

- D333,987 S * 3/1993 Sugibayashi D10/30
- D339,749 S * 9/1993 Ishizaka D10/38
- D351,350 S * 10/1994 Morishima D10/38
- D377,315 S * 1/1997 Moriai et al. D10/38
- D383,396 S * 9/1997 Houlihan D10/30
- D387,677 S * 12/1997 Hanagata D10/30
- D394,404 S * 5/1998 Ishizaka et al. D10/38
- D395,011 S * 6/1998 Hanagata D10/30
- D402,900 S * 12/1998 Hanagata et al. D10/30
- D403,246 S * 12/1998 Hanagata D10/30



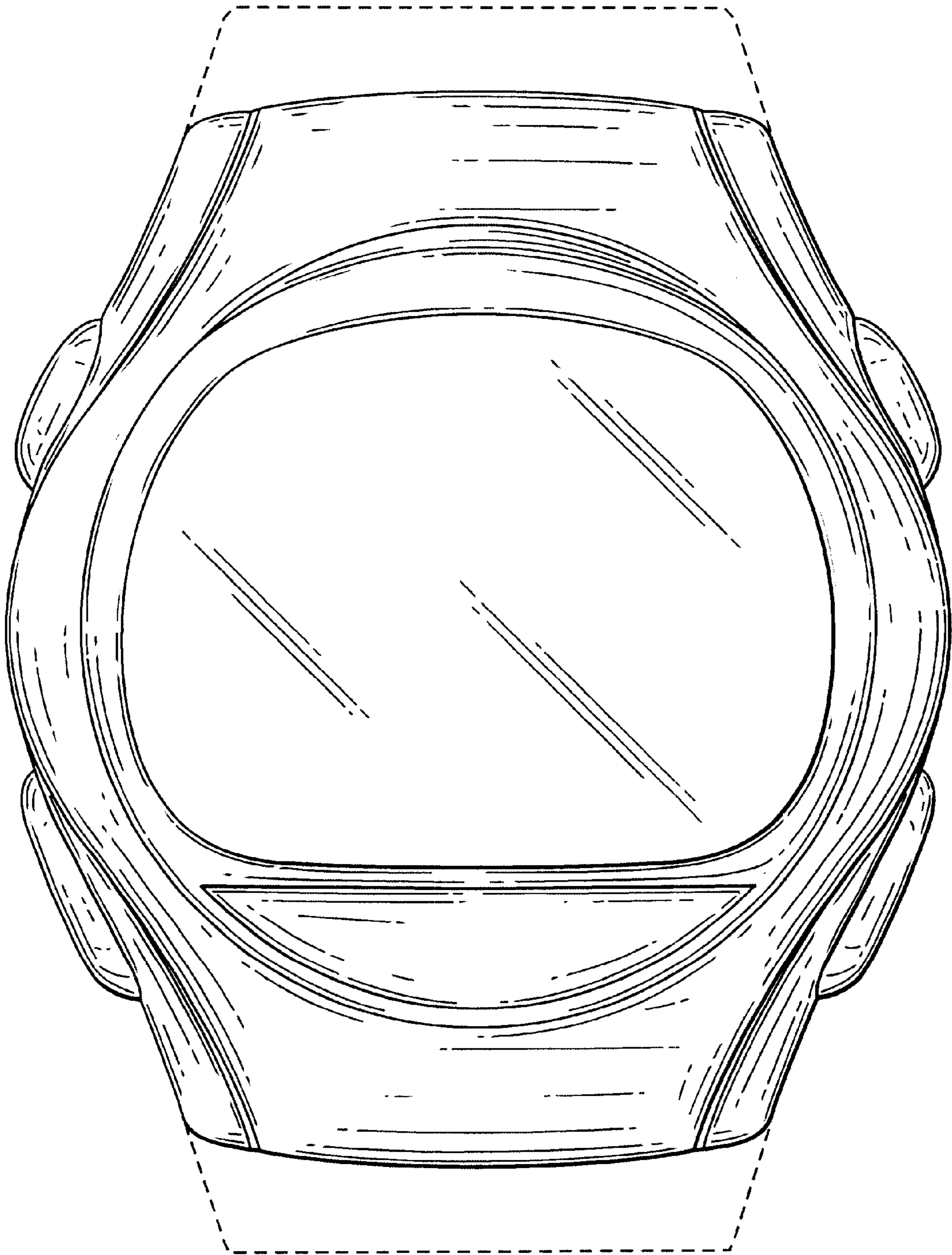


FIG. 1

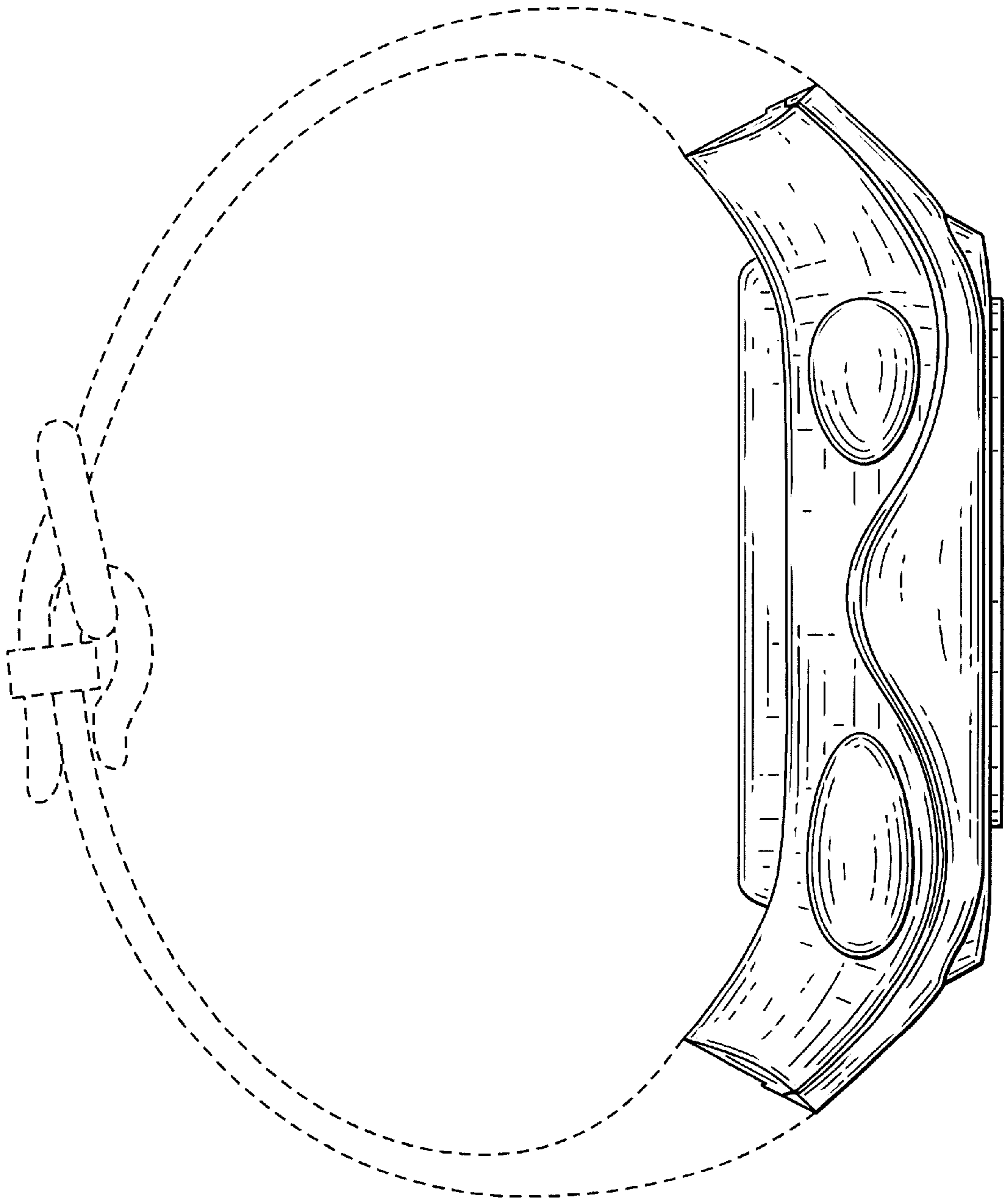


FIG. 2

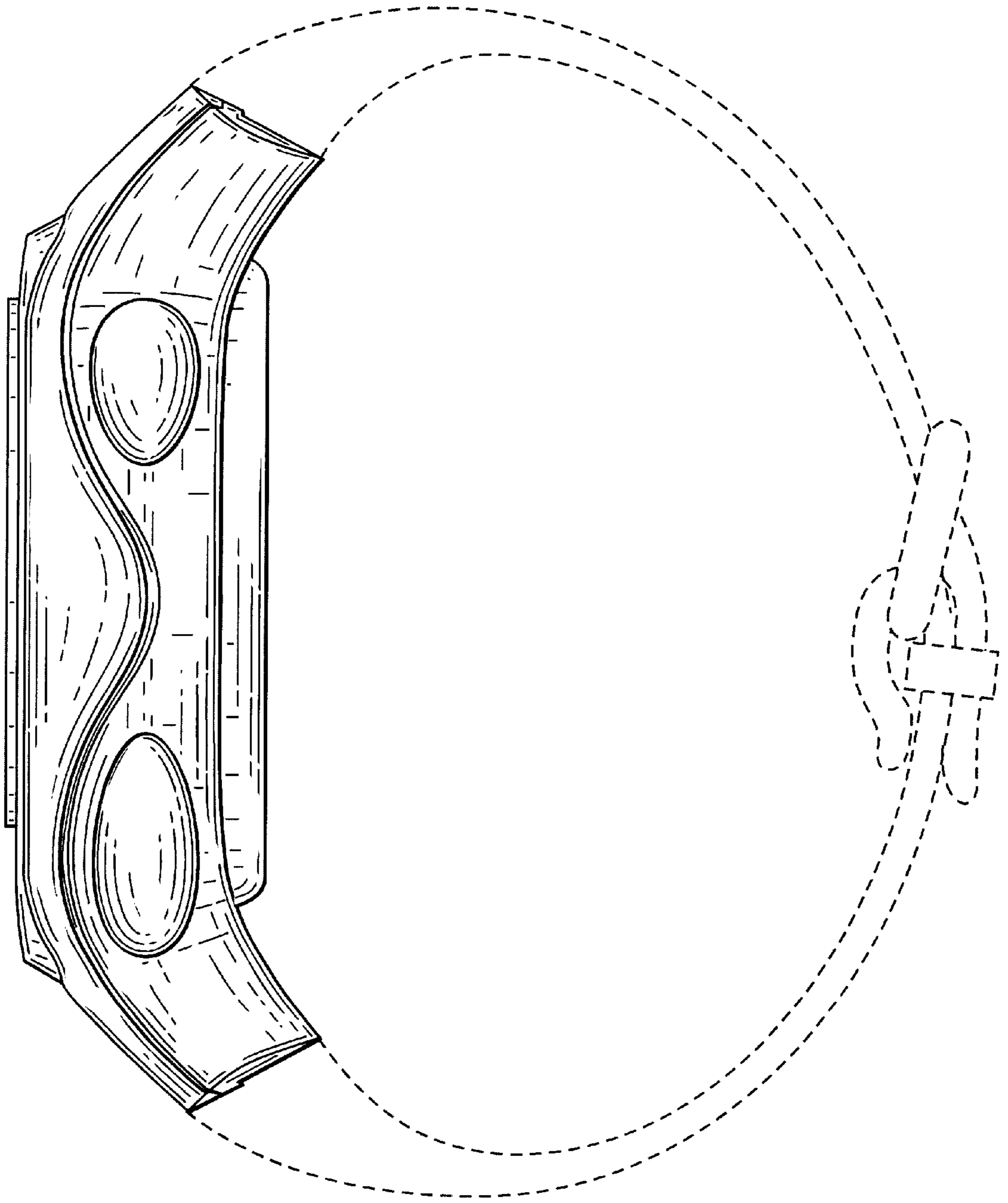


FIG. 3

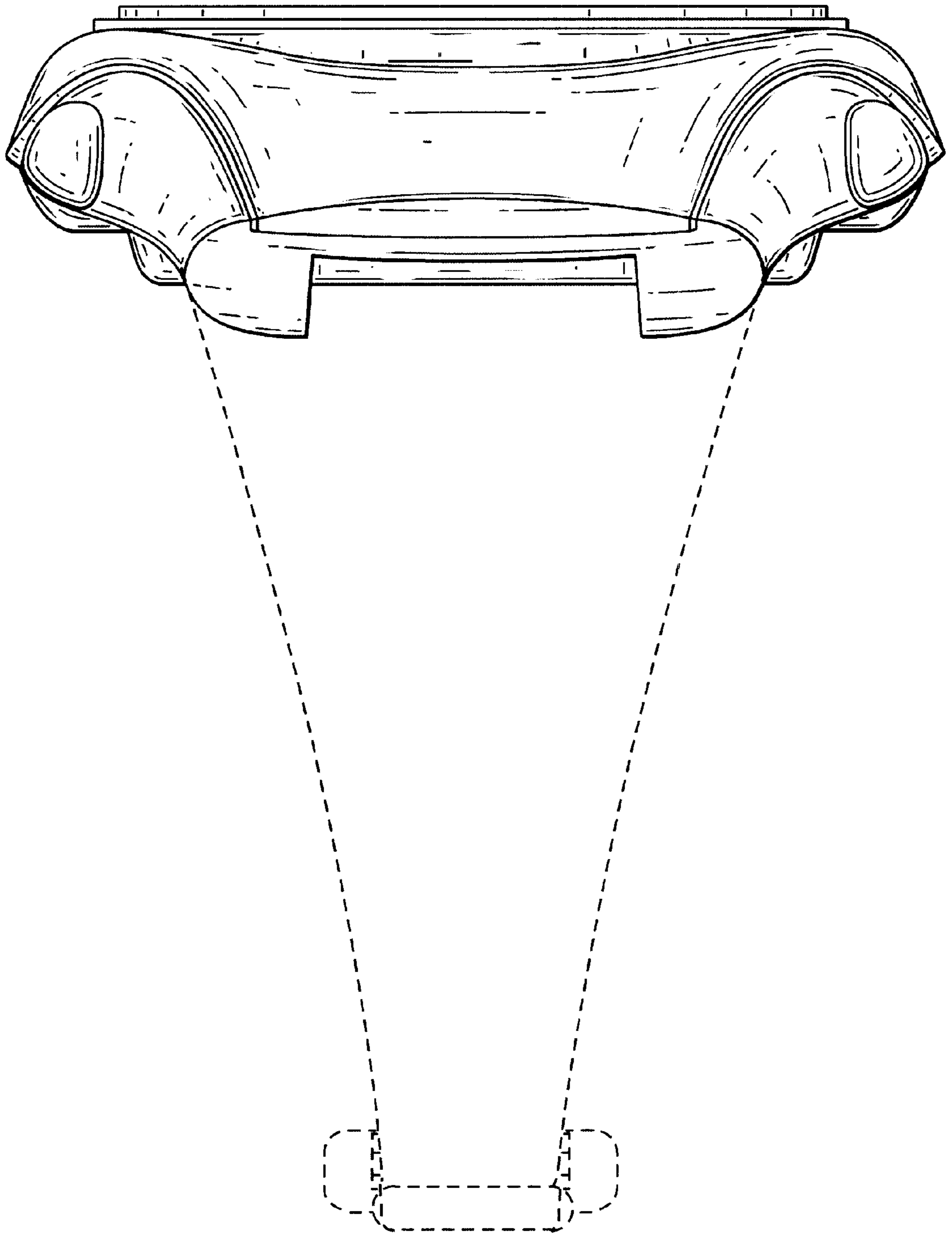


FIG. 4

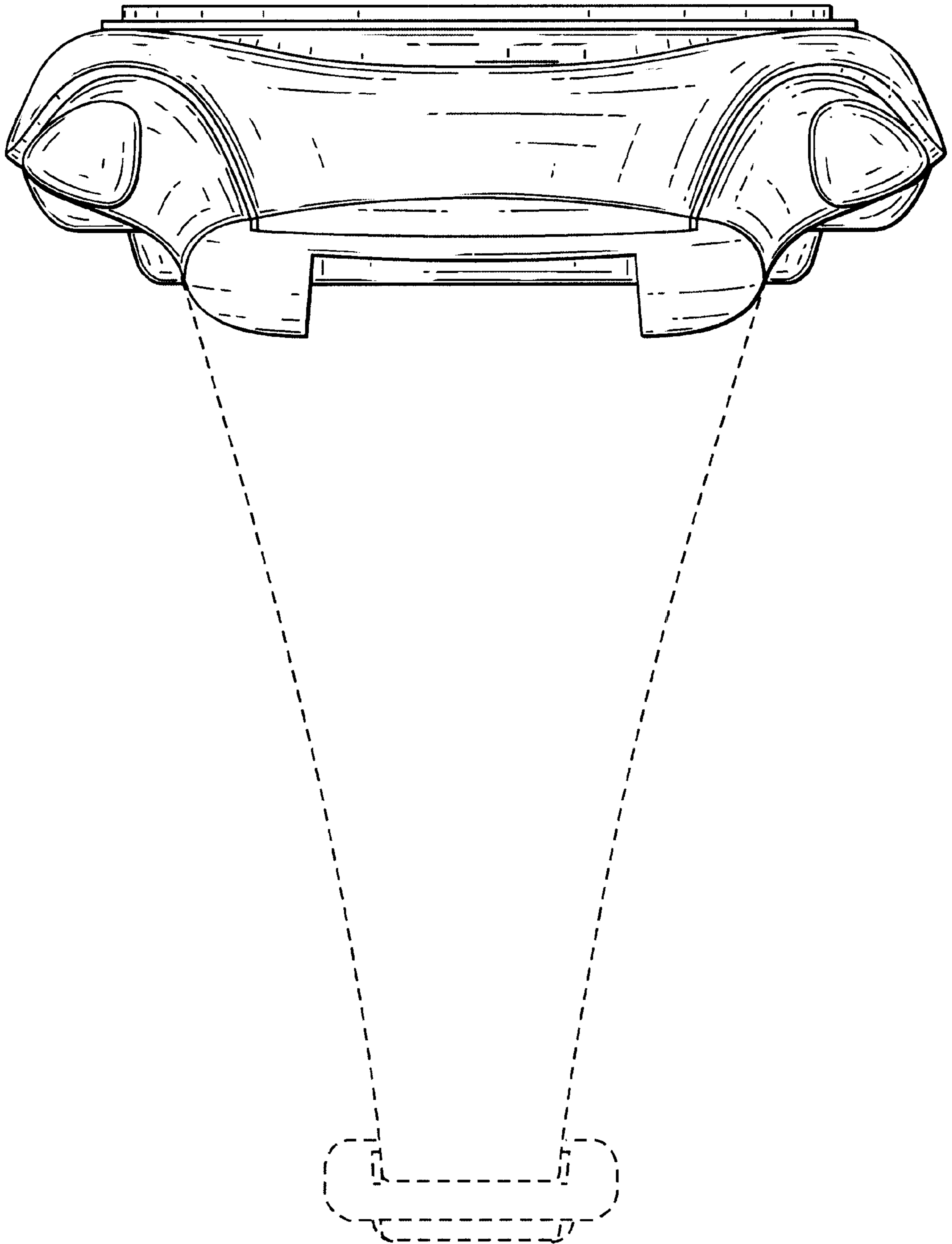


FIG. 5

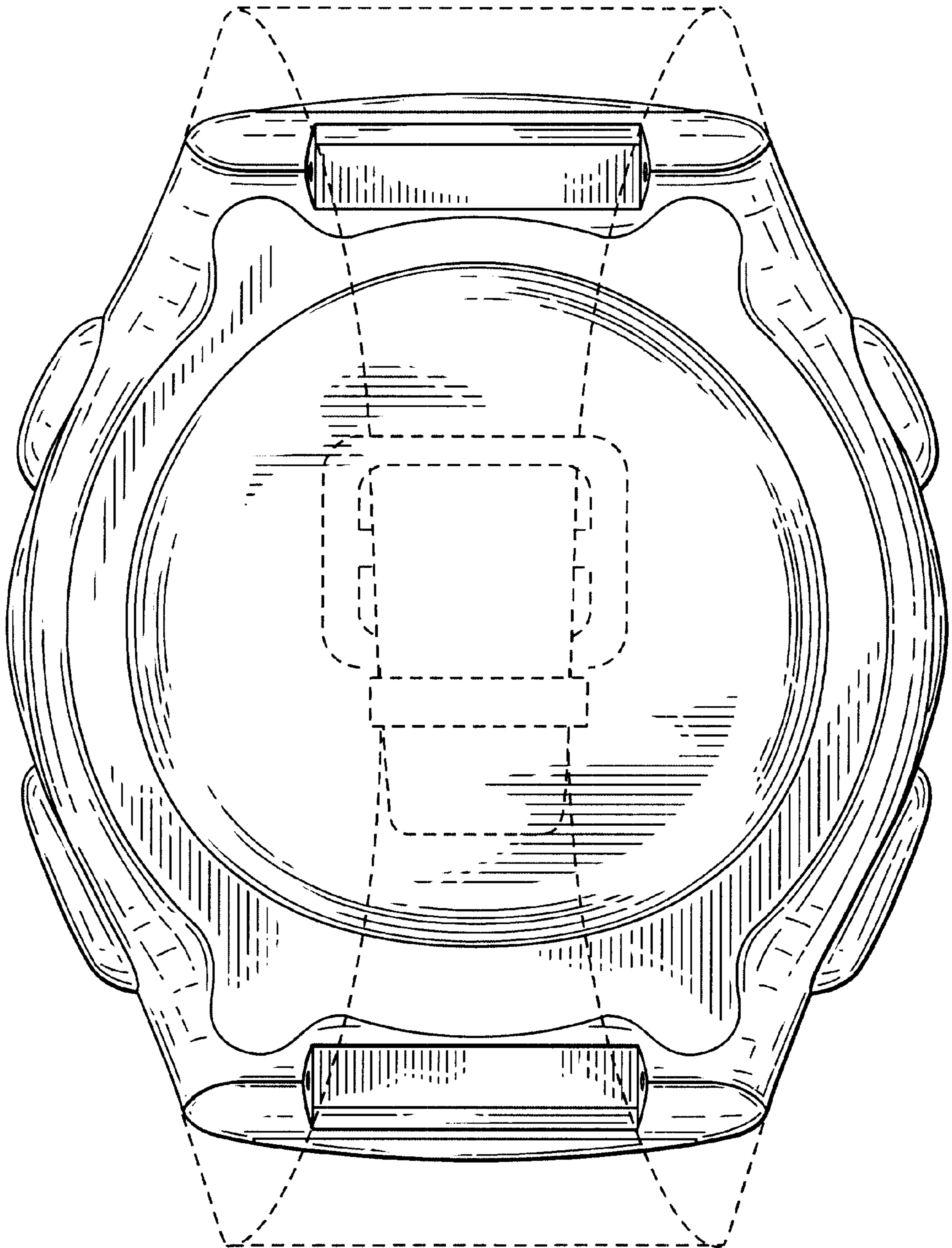


FIG. 6