



US00D472819S

(12) **United States Design Patent**  
**Streltsov**

(10) **Patent No.:** **US D472,819 S**

(45) **Date of Patent:** **\*\* Apr. 8, 2003**

(54) **WATCH CASING**

(75) **Inventor:** **Sergei Streltsov, London (GB)**

(73) **Assignee:** **Timex Group B.V. (NL)**

(\*\*) **Term:** **14 Years**

(21) **Appl. No.:** **29/163,112**

(22) **Filed:** **Jun. 27, 2002**

(51) **LOC (7) Cl.** ..... **10-02**

(52) **U.S. Cl.** ..... **D10/30**

(58) **Field of Search** ..... D10/1-40, 122-132;  
368/280-282, 276-277, 28-30, 285, 239-242,  
243-249, 82-84, 41-44

(56) **References Cited**

**U.S. PATENT DOCUMENTS**

- D361,274 S \* 8/1995 Houlihan ..... D10/30
- D407,331 S \* 3/1999 Moriai ..... D10/30
- D415,433 S 10/1999 Riley et al.

- D434,333 S 11/2000 Riley et al.
- D435,462 S \* 12/2000 Chung ..... D10/32
- D449,997 S \* 11/2001 Blauner et al. .... D10/30
- D451,818 S 12/2001 Riley

\* cited by examiner

*Primary Examiner*—Nelson C. Holtje

(74) *Attorney, Agent, or Firm*—Carmody & Torrance LLP

(57) **CLAIM**

The ornamental design for a watch casing, as shown and described.

**DESCRIPTION**

FIG. 1 is a top plan view of a watch casing showing my new design;  
 FIG. 2 is a left side elevational view thereof;  
 FIG. 3 is a right side elevational view thereof;  
 FIG. 4 is a first end elevational view thereof;  
 FIG. 5 is a second end elevational view thereof; and,  
 FIG. 6 is a bottom plan view.

**1 Claim, 2 Drawing Sheets**

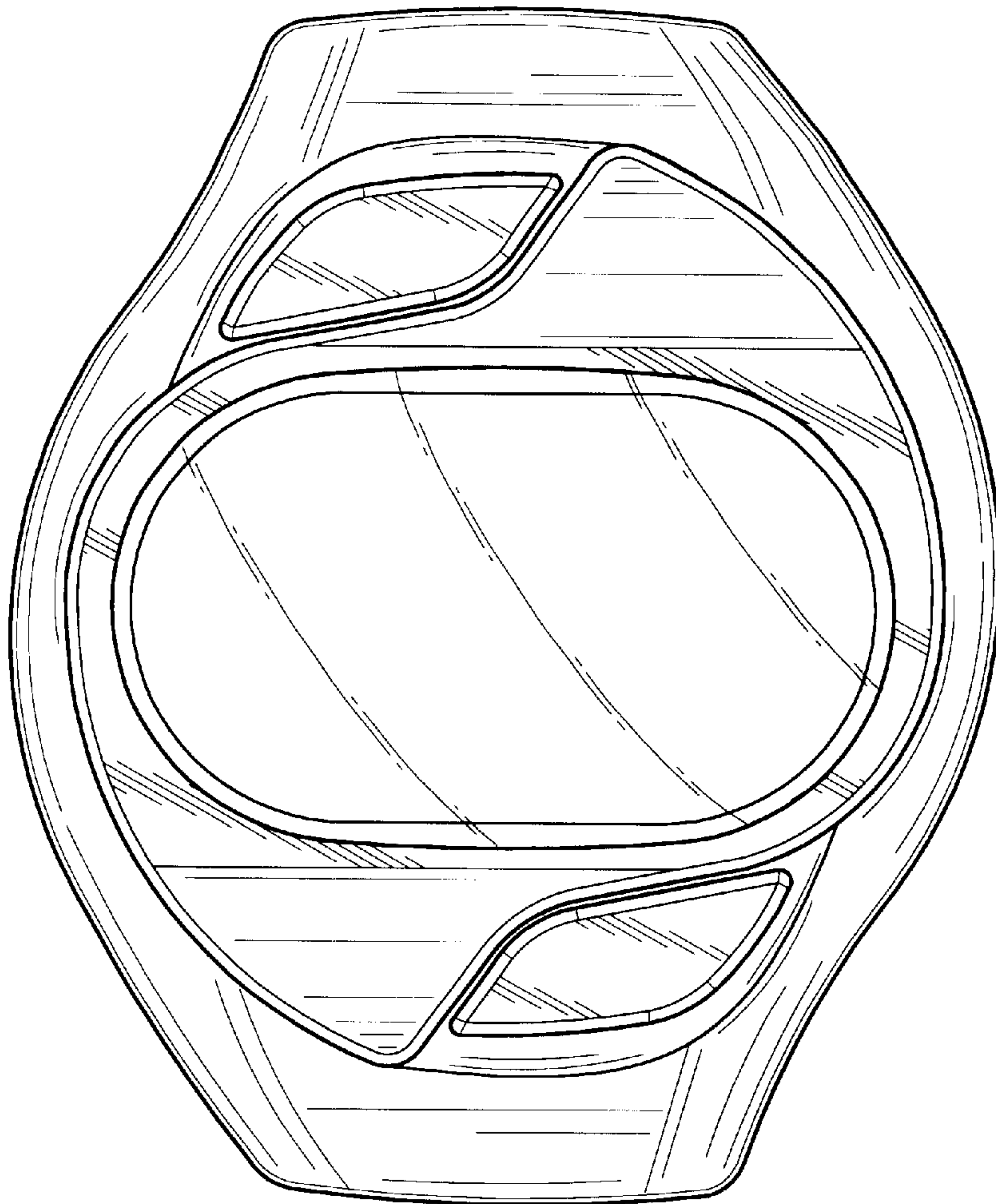


FIG.1

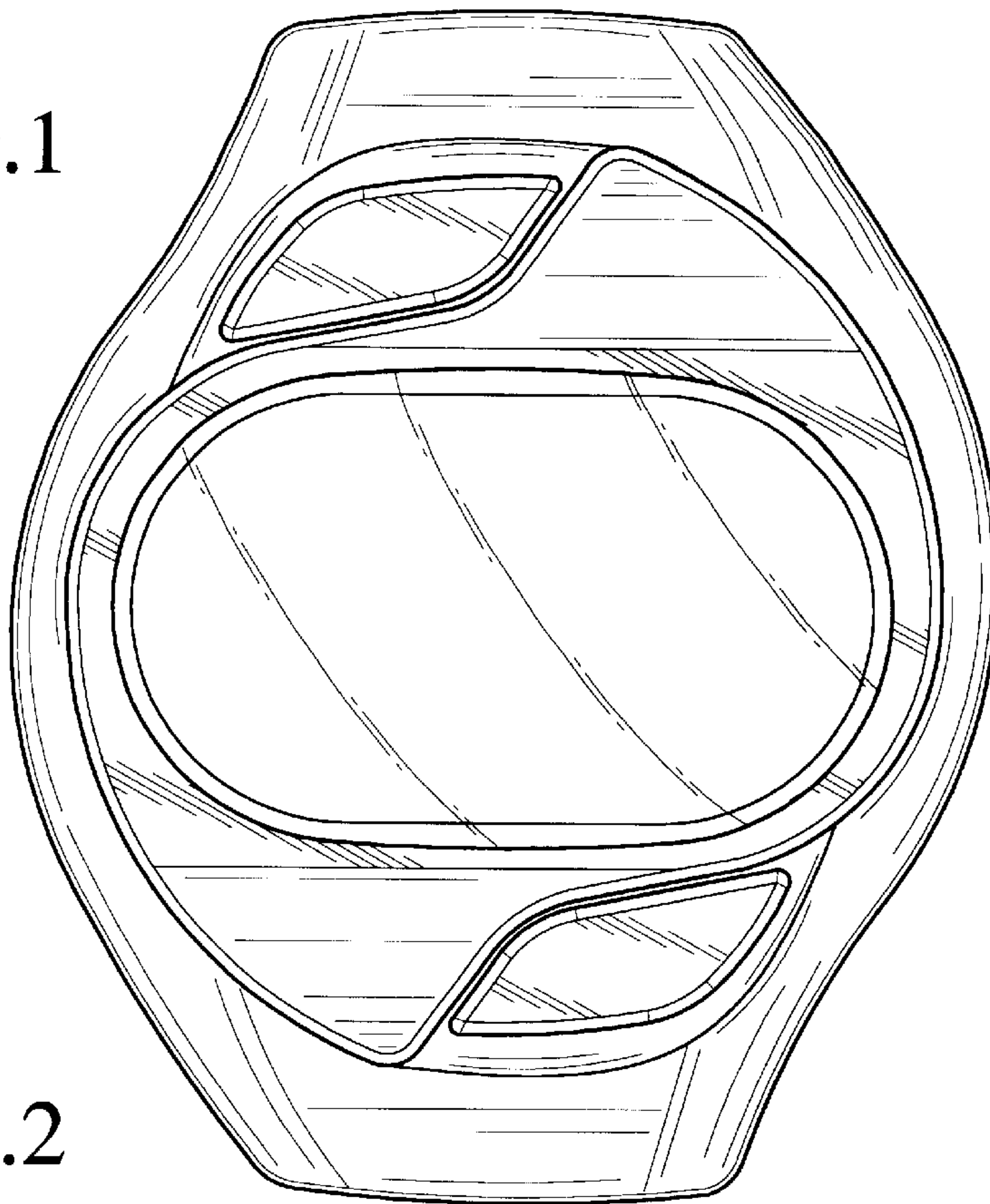


FIG.2

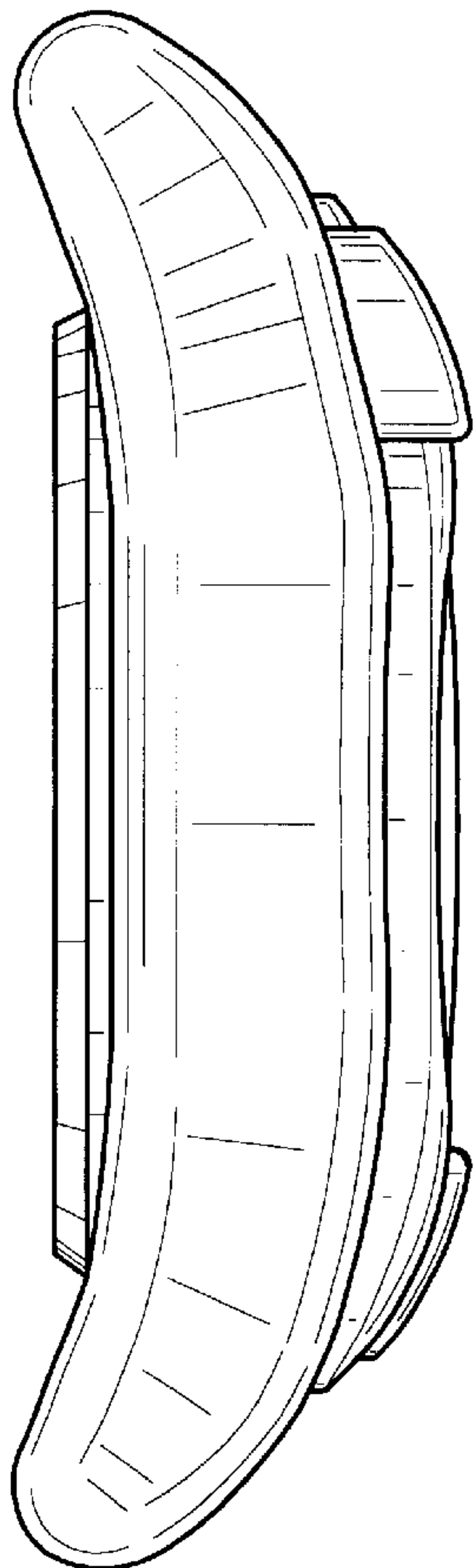
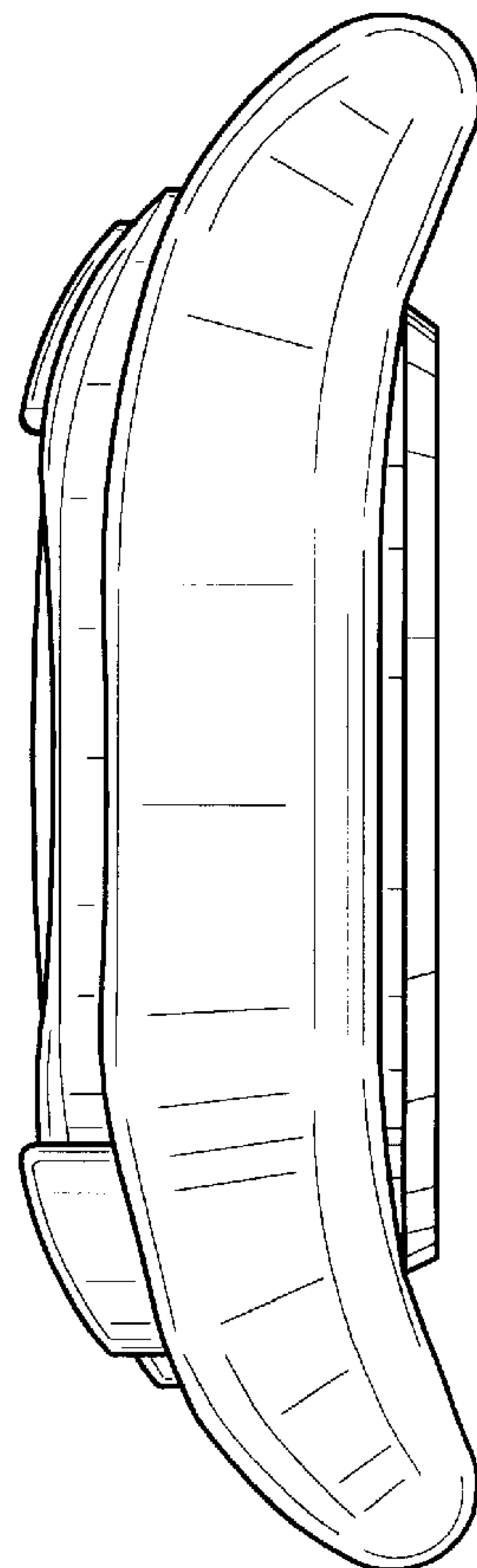


FIG.3



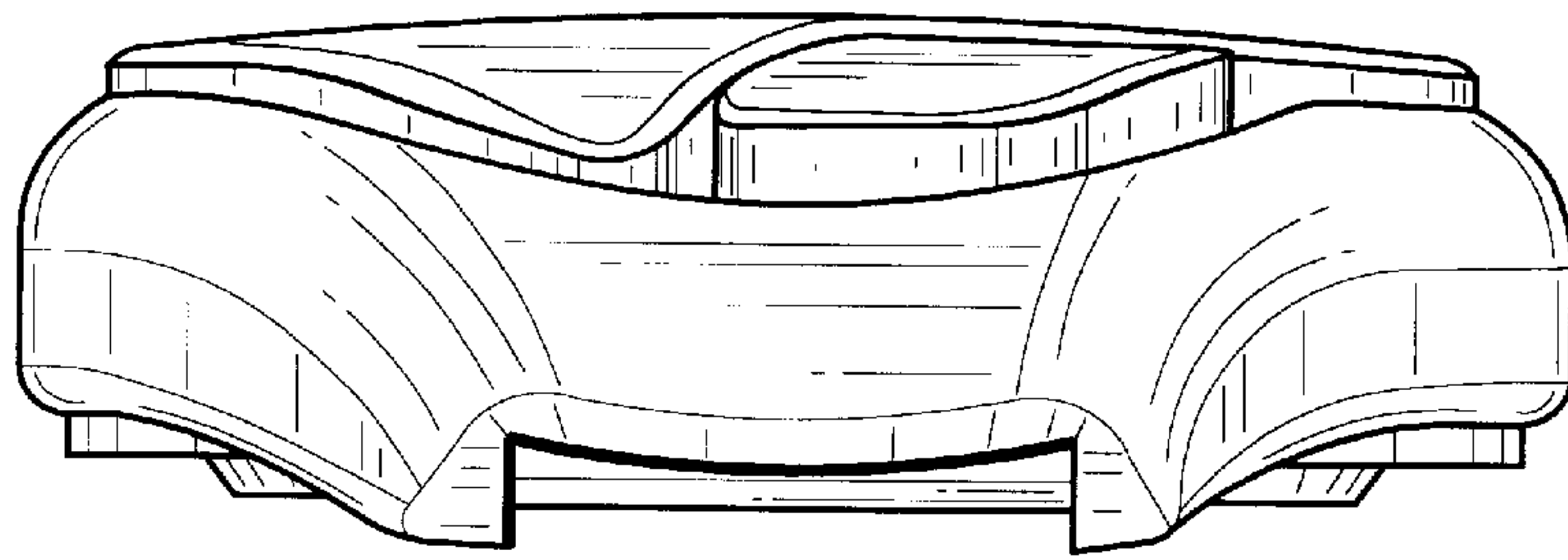


FIG. 4

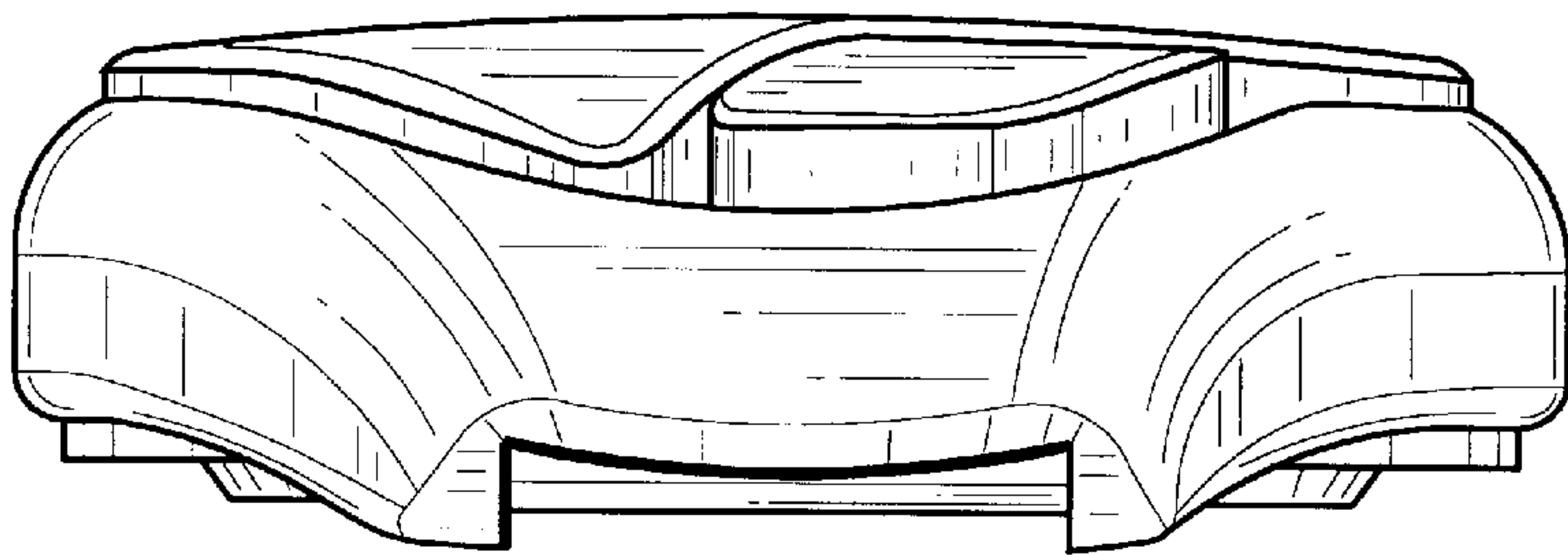


FIG. 5

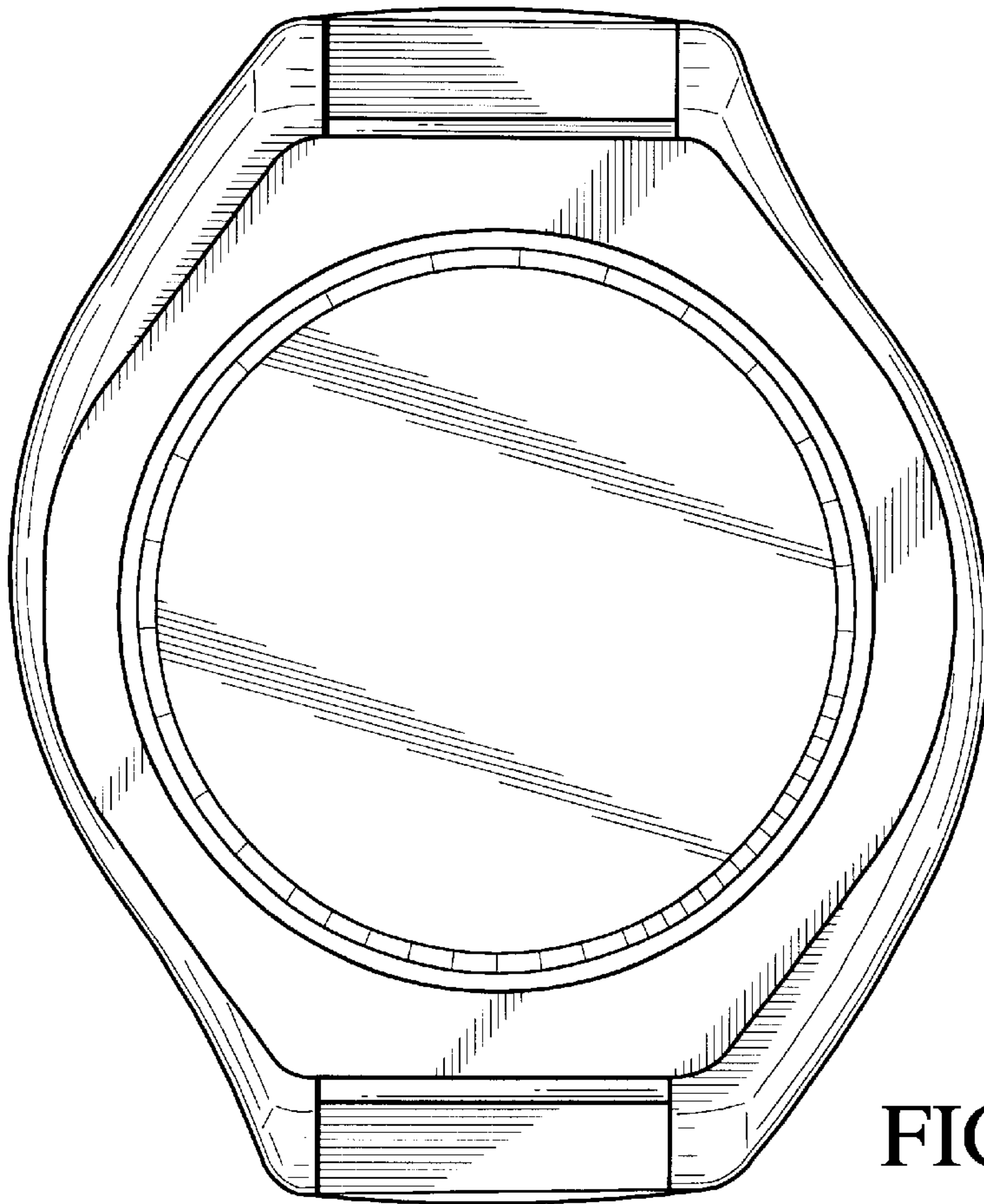


FIG. 6