



US00D472817S

(12) **United States Design Patent**  
**Müller**

(10) **Patent No.:** **US D472,817 S**

(45) **Date of Patent:** **\*\* Apr. 8, 2003**

(54) **BOTTLE**

(75) **Inventor:** **Urs Müller, Arth (CH)**

(73) **Assignee:** **S. Fassabind AG, Oberrath (CH)**

(\*\*) **Term:** **14 Years**

(21) **Appl. No.:** **29/147,093**

(22) **Filed:** **Aug. 22, 2001**

(30) **Foreign Application Priority Data**

Mar. 7, 2001 (CH) ..... 127787

(51) **LOC (7) Cl.** ..... **09-01**

(52) **U.S. Cl.** ..... **D9/549; D9/516; D9/551; D9/557**

(58) **Field of Search** ..... D9/500–505, 516, D9/517, 518, 530, 542, 543, 544, 545, 546, 549, 551, 558–559, 564, 574, 575, 337; 215/50, 291, 355, 12.1, 12.2, 396, 398, 382–384

(56) **References Cited**

**U.S. PATENT DOCUMENTS**

- D3,077 S \* 6/1868 Legrandaine ..... D9/332
- 250,310 A \* 11/1881 Walker ..... 215/291
- 262,574 A \* 8/1882 Cooke ..... 215/291
- D35,027 S \* 9/1901 Jammes ..... D9/545 X
- 1,066,250 A \* 7/1913 Burnap ..... 215/291
- D45,938 S \* 6/1914 Hochstadter ..... D9/545

- D62,571 S \* 6/1923 Isola ..... D9/501
- 2,226,146 A \* 12/1940 Smith ..... 220/718
- D153,152 S \* 3/1949 Kerr ..... D9/551
- D180,822 S \* 8/1957 Du Pree ..... D9/552 X
- D182,068 S \* 2/1958 Goldstein ..... D9/337
- D234,291 S \* 2/1975 Broadhead ..... D9/550
- D296,190 S \* 6/1988 Blasco, Sr. .... D9/557
- D306,259 S \* 2/1990 Daucourt ..... D9/545
- D389,600 S \* 1/1998 Luedecke ..... D9/545 X
- 6,454,122 B1 \* 9/2002 Luedecke ..... 220/676 X

\* cited by examiner

*Primary Examiner*—Philip S. Hyder

*Assistant Examiner*—Carol Rademaker

(74) *Attorney, Agent, or Firm*—Alston & Bird LLP

(57) **CLAIM**

The ornamental design for a bottle, as shown and described.

**DESCRIPTION**

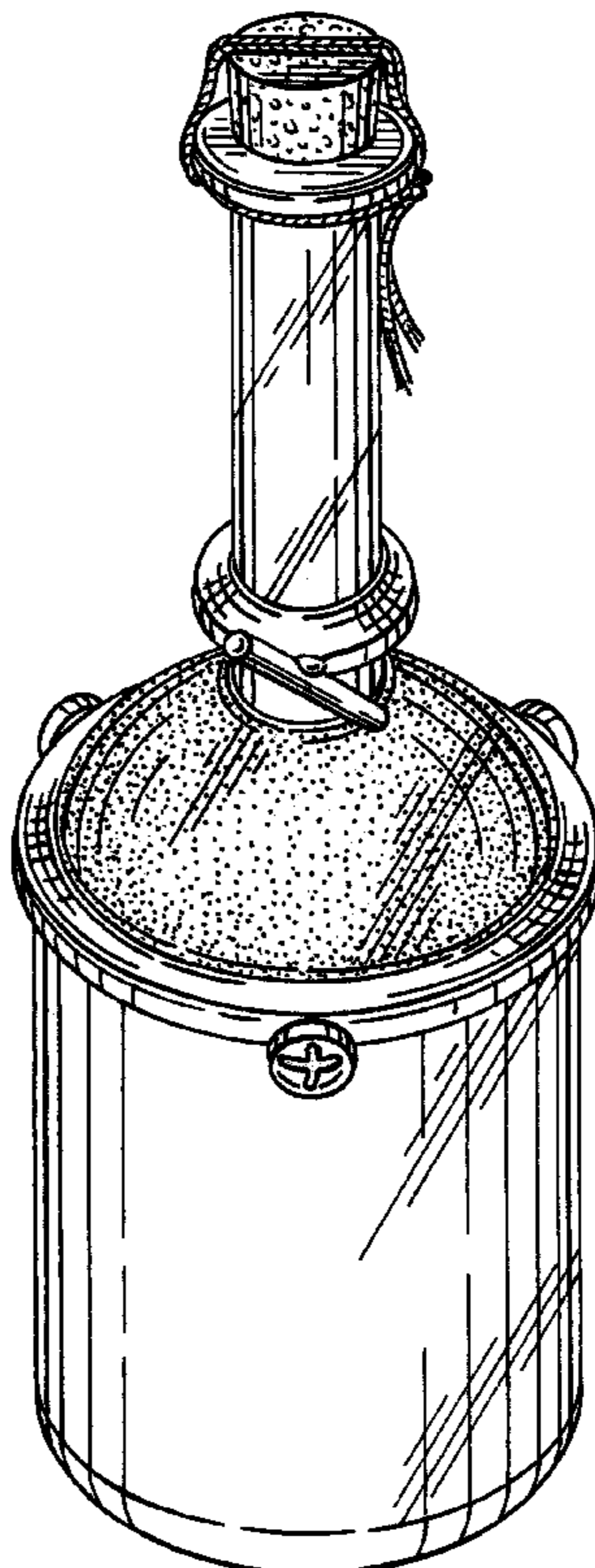
FIG. 1 is a perspective view of a bottle incorporating the present design;

FIG. 2 is a top plan view of the bottle shown in FIG. 1;

FIG. 3 is a side elevation of the bottle shown in FIGS. 1 and 2 looking in the direction of the arrows 3—3 in FIG. 2; and, FIG. 4 is a side elevation of the bottle shown in FIGS. 1 and 2 looking in the direction of the arrows 4—4 in FIG. 2.

The stipple shading, shown in FIGS. 1–4 on the bottle shoulder, represents a translucent surface.

**1 Claim, 2 Drawing Sheets**



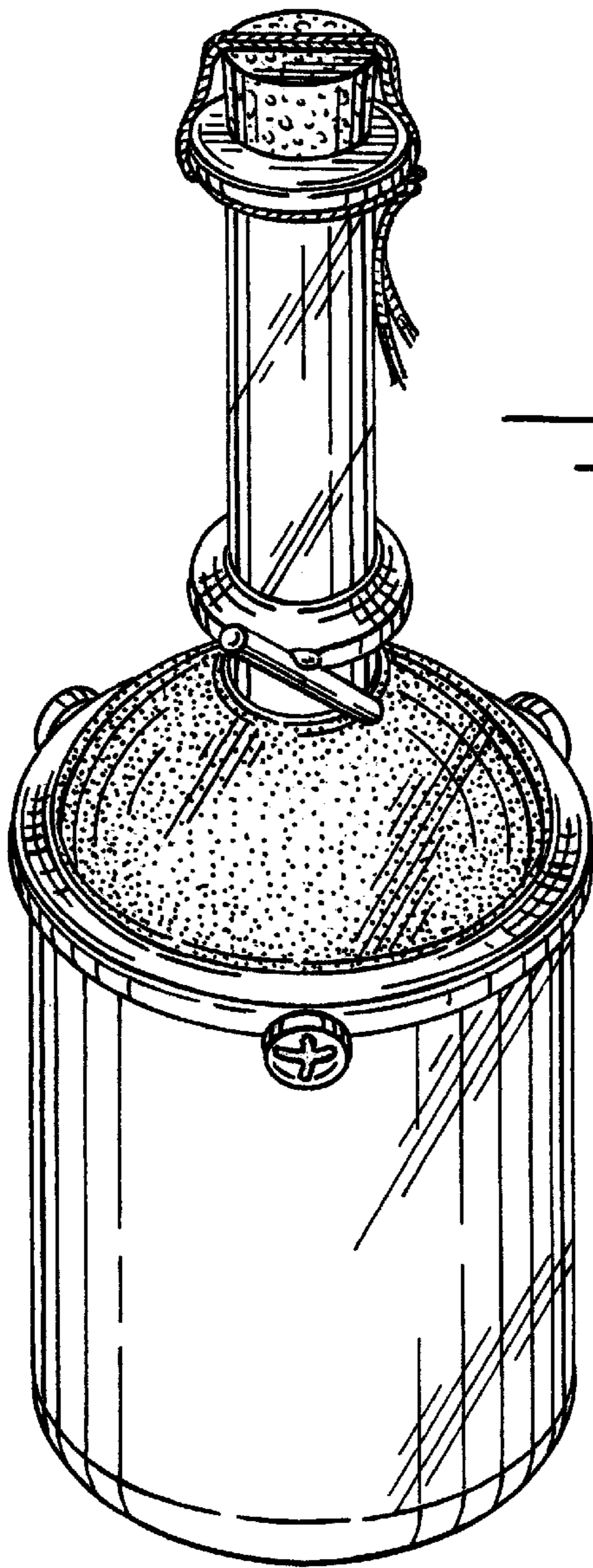


FIG. 1.

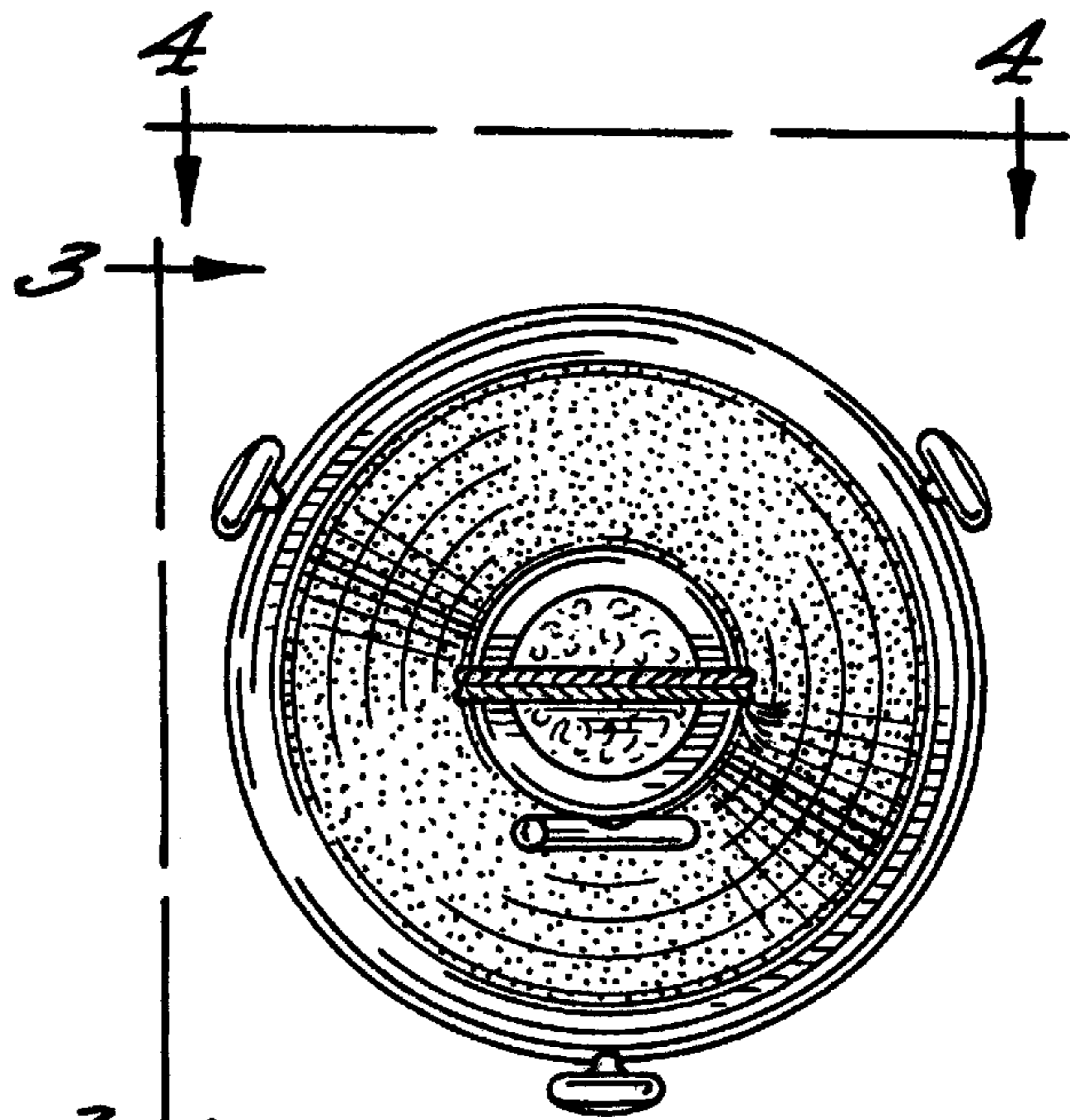


FIG. 2.

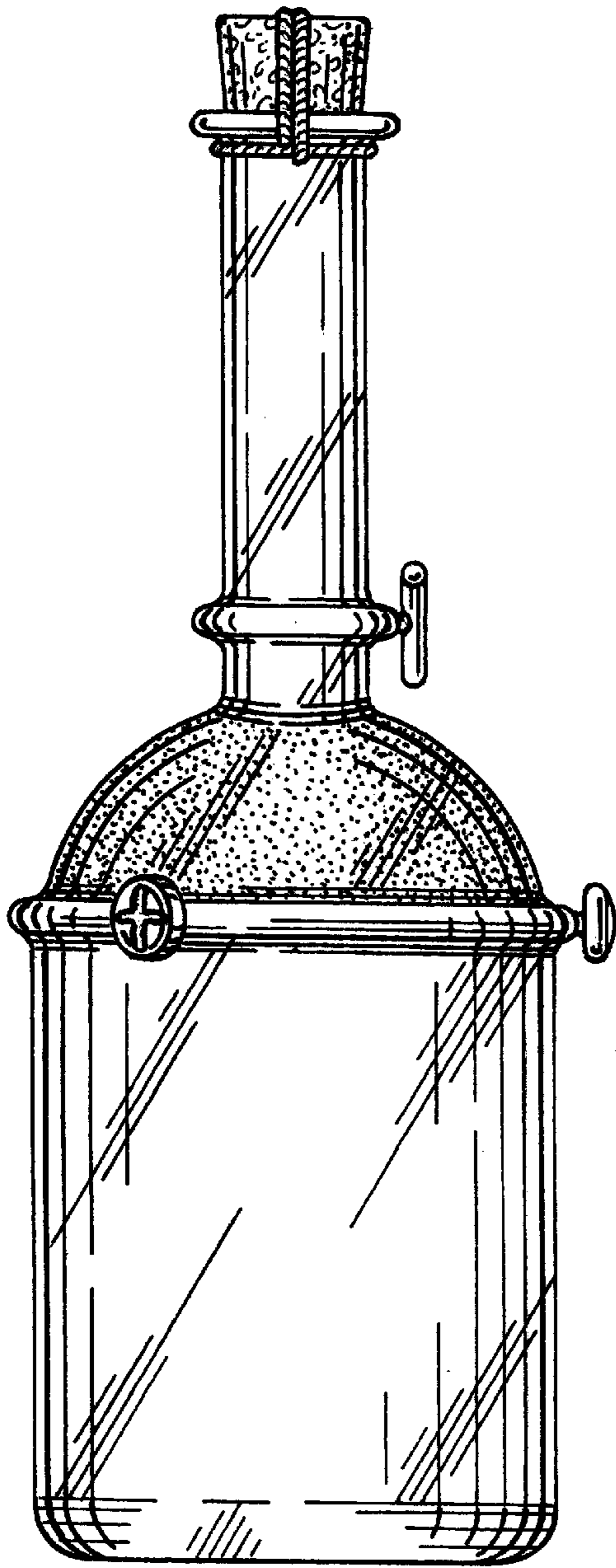


FIG. 3.

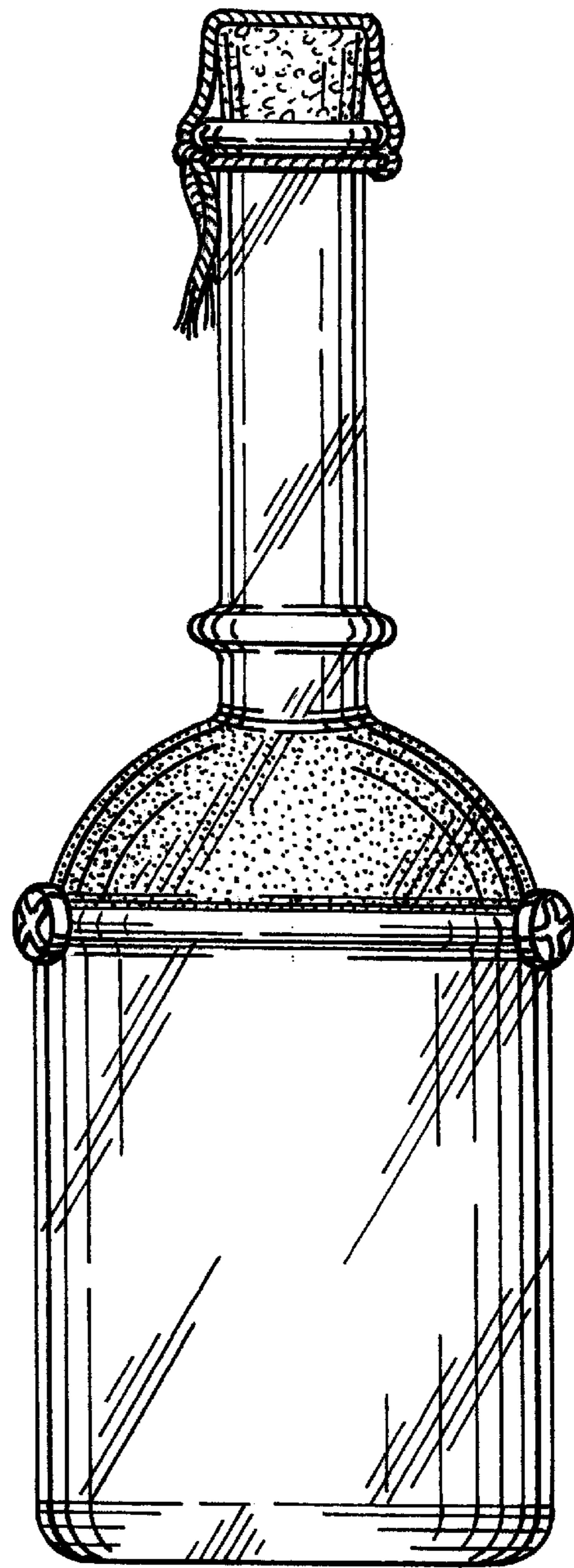


FIG. 4.