



US00D472815S

(12) **United States Design Patent**  
**Zhang et al.**

(10) **Patent No.:** **US D472,815 S**

(45) **Date of Patent:** **\*\* Apr. 8, 2003**

(54) **CONTAINER**

(75) Inventors: **Q. Peter Zhang**, Bedford, NH (US);  
**Robert P. Grant**, Ashland, MA (US);  
**Keith J. Eshback**, Wilton, NH (US);  
**Nicholas T. Stavropoulos**, Manchester,  
NH (US)

(73) Assignee: **Continental PET Technologies Inc.**,  
Toledo, OH (US)

(\*\*) Term: **14 Years**

(21) Appl. No.: **29/152,522**

(22) Filed: **Dec. 21, 2001**

(51) **LOC (7) Cl.** ..... **09-02**

(52) **U.S. Cl.** ..... **D9/538; D9/556**

(58) **Field of Search** ..... D9/300, 500, 503,  
D9/510-511, 515-516, 529-530, 537-538,  
541, 544-546, 549, 560-561, 574-575;  
D28/91.1; 215/381-385, 396, 398

(56) **References Cited**

**U.S. PATENT DOCUMENTS**

D49,730 S	*	10/1916	Graham	.....	D9/538
D58,383 S	*	7/1921	Hothersall	.....	D9/511
D68,368 S	*	10/1925	Bell	.....	D9/531
D70,281 S	*	6/1926	Lents	.....	D9/538
D79,585 S	*	10/1929	Edwards	.....	D9/519
D142,746 S	*	10/1945	Stackpole	.....	D9/538
D201,400 S	*	6/1965	Kneeland	.....	D9/556
D202,003 S	*	8/1965	Douglas	.....	D9/503
D285,534 S	*	9/1986	Itoh et al.	.....	D9/506

D318,617 S		7/1991	Scarpa et al.	
D318,618 S		7/1991	Scarpa et al.	
D392,566 S	*	3/1998	Vahjen et al.	..... D9/503
D405,698 S	*	2/1999	Lykken et al.	..... D9/541
D413,068 S		8/1999	Thouin et al.	

\* cited by examiner

*Primary Examiner*—Ted Shooman  
*Assistant Examiner*—Carol Rademaker

(57) **CLAIM**

The ornamental design for a container, as shown and described.

**DESCRIPTION**

FIG. 1 is a perspective view of the container according to our new design;  
FIG. 2 is a top plan view of the container of FIG. 1;  
FIG. 3 is an elevation view taken in the direction of the #3 arrow shown in FIG. 5;  
FIG. 4 is an elevation view taken in the direction of the #4 arrow shown in FIG. 5;  
FIG. 5 is a sectional view taken on line 5—5 in FIG. 4;  
FIG. 6 is a bottom plan view of the container of FIG. 1;  
FIG. 7 is an elevation view taken in the direction of the #7 arrow shown in FIG. 5; and,  
FIG. 8 is an elevation view taken in the direction of the #8 arrow shown in FIG. 5.

The broken lines showing a threaded neck in the drawing are for illustration purposes only and do not form part of the claimed design.

**1 Claim, 4 Drawing Sheets**

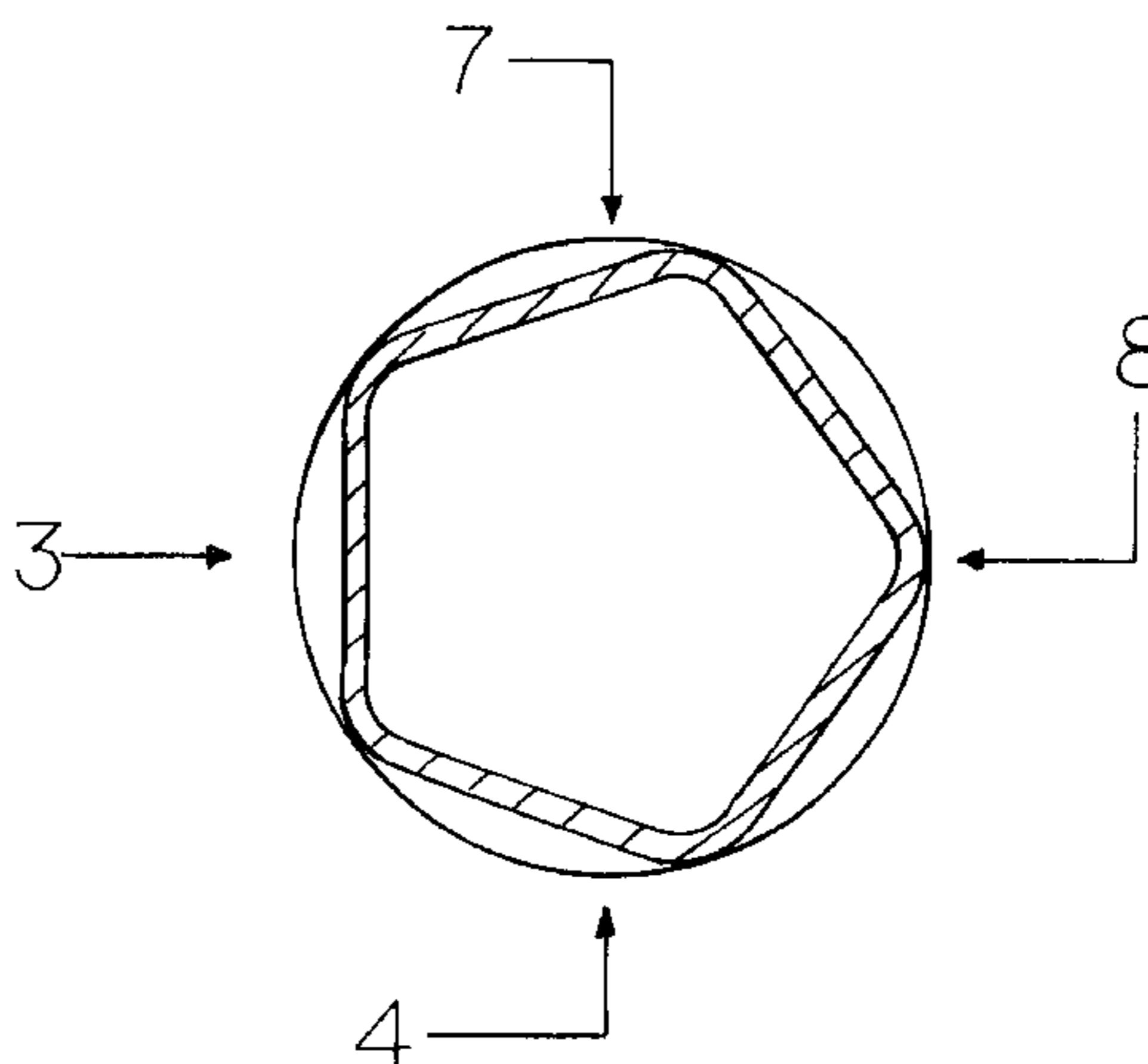
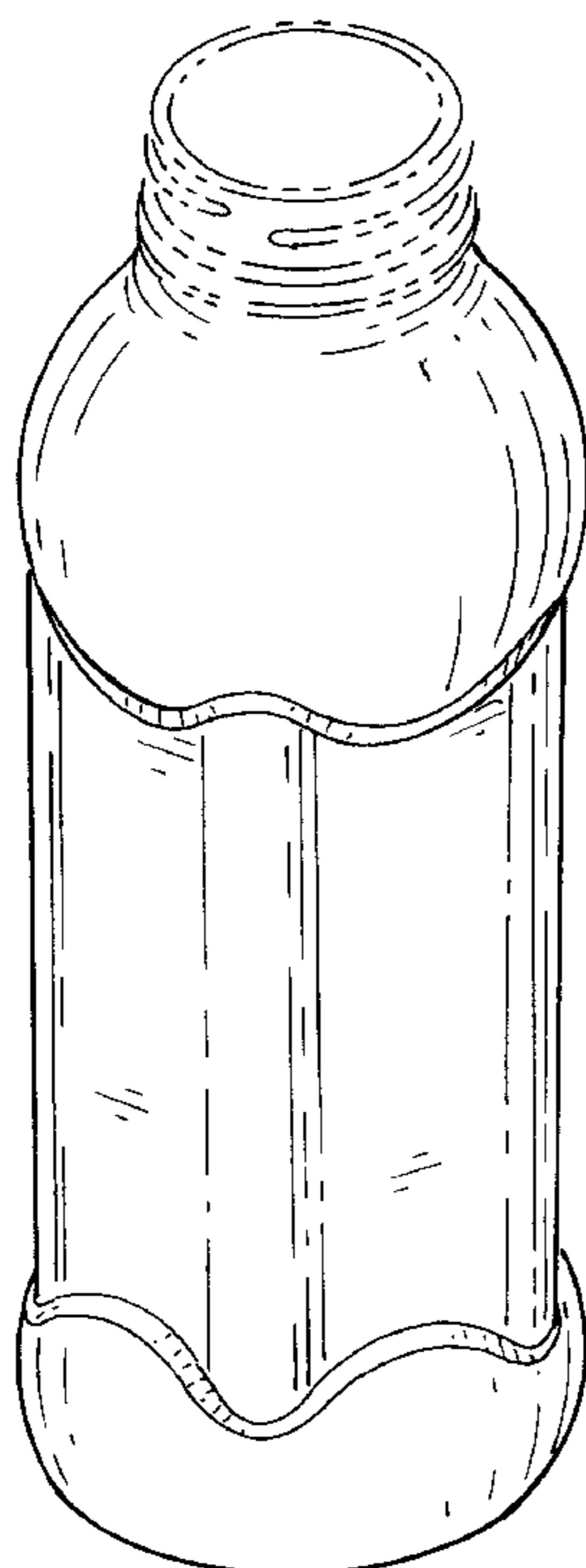


FIG. 1

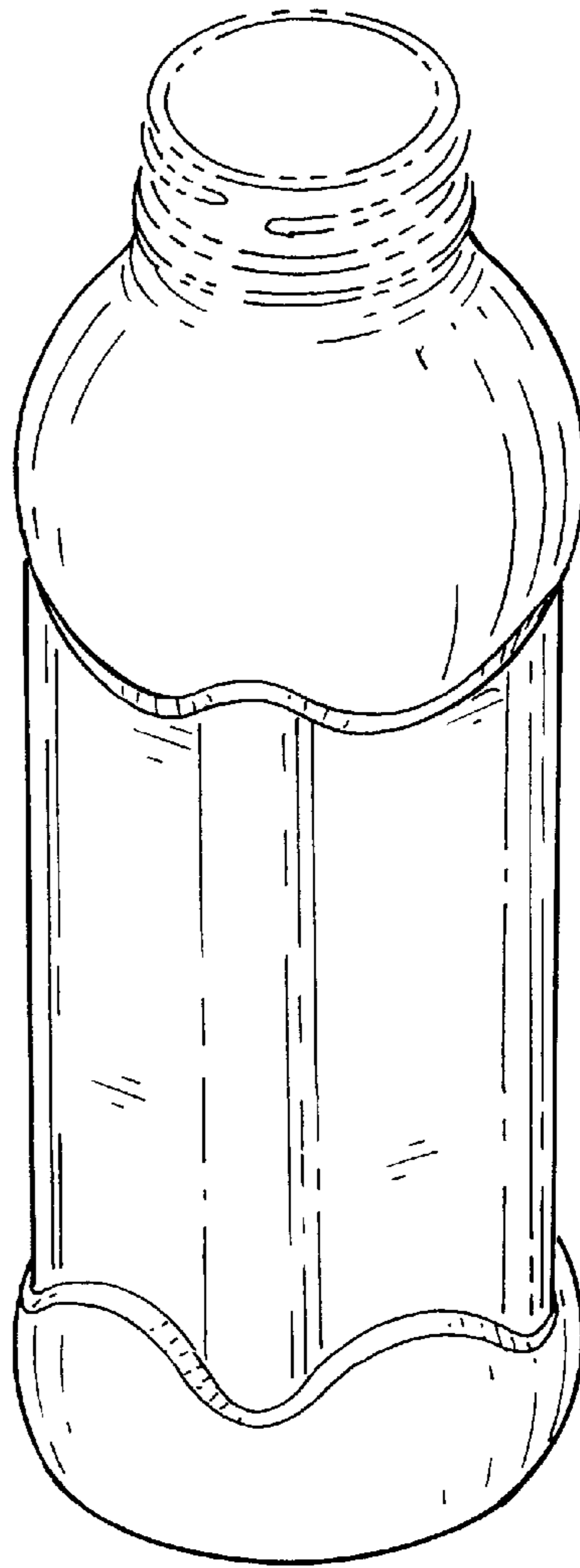
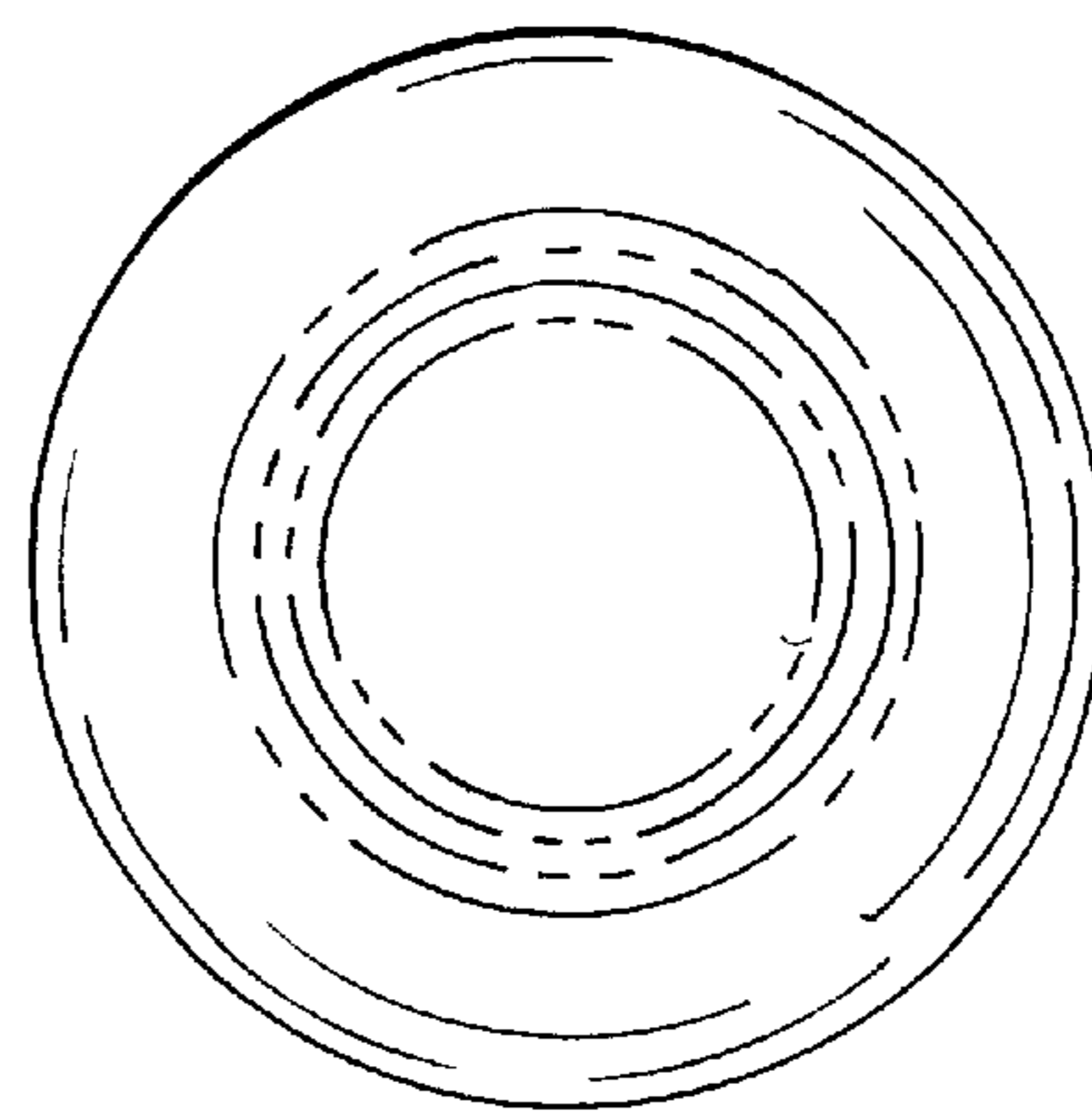


FIG. 2



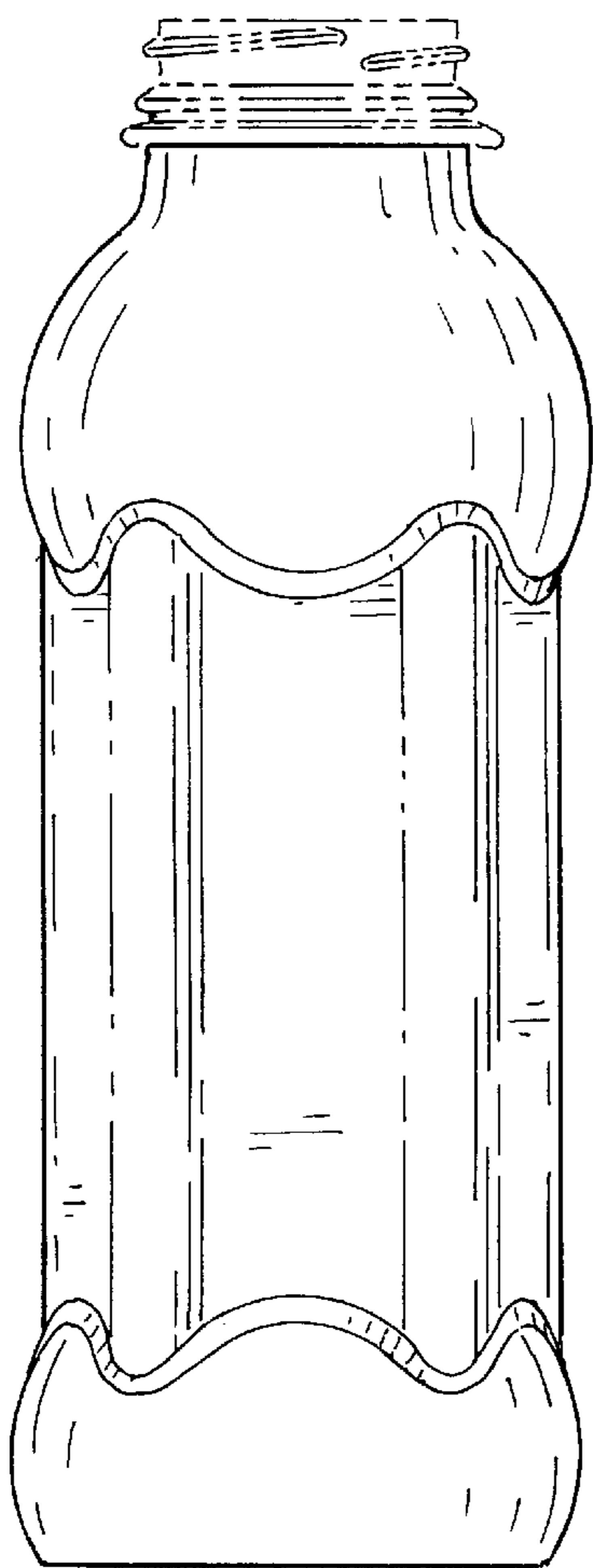


FIG. 3

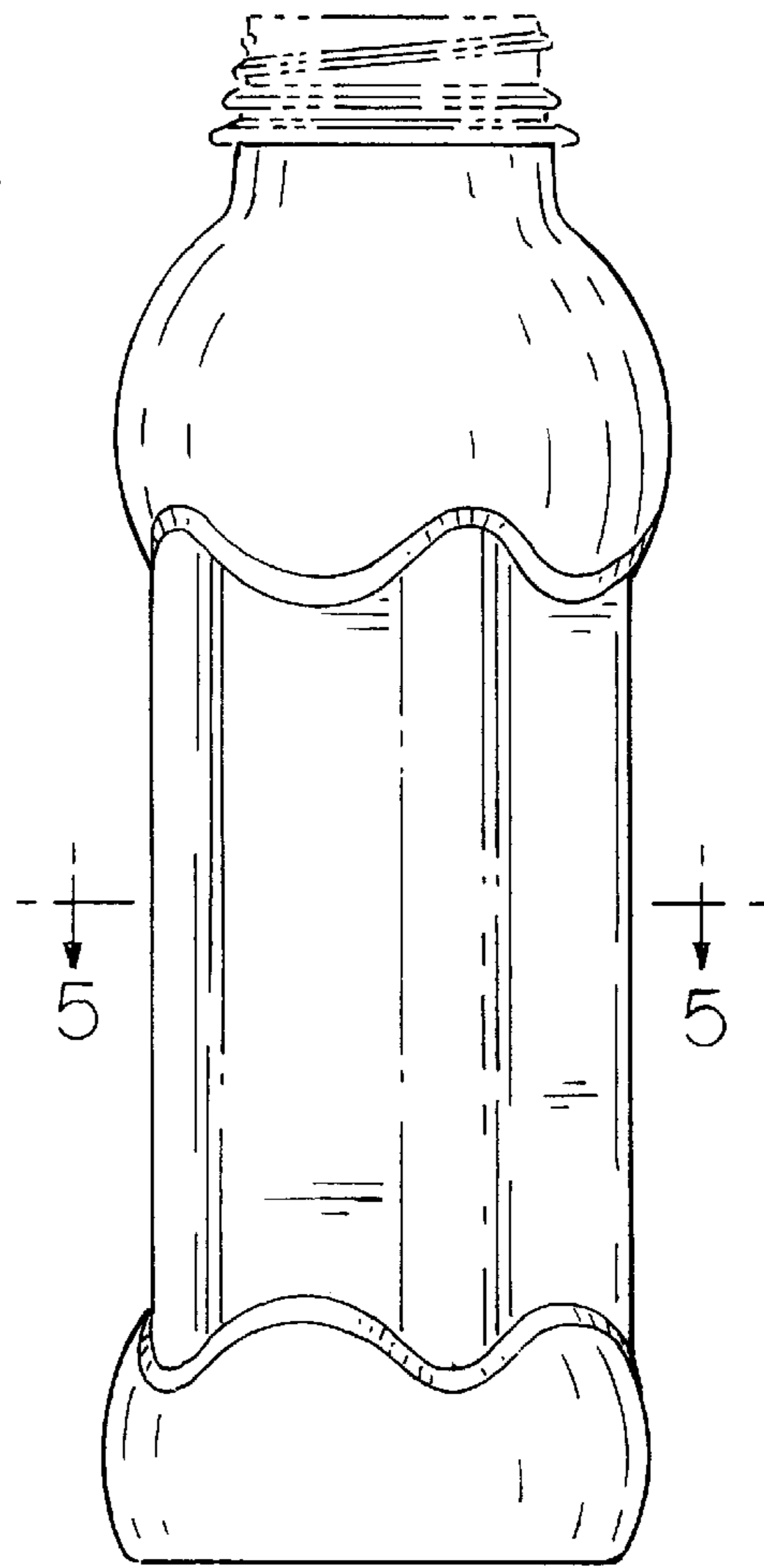


FIG. 4

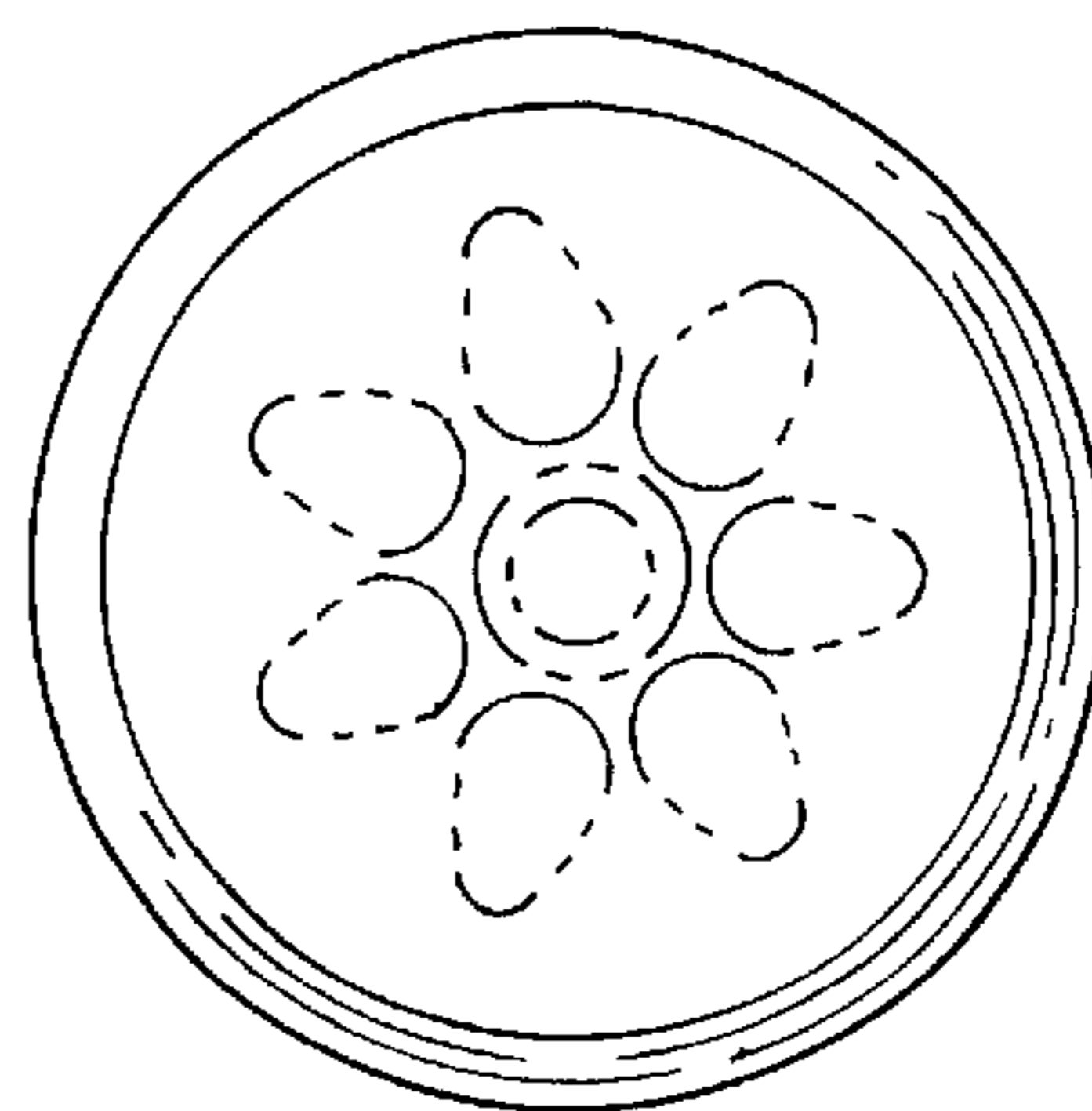


FIG. 6

FIG. 7

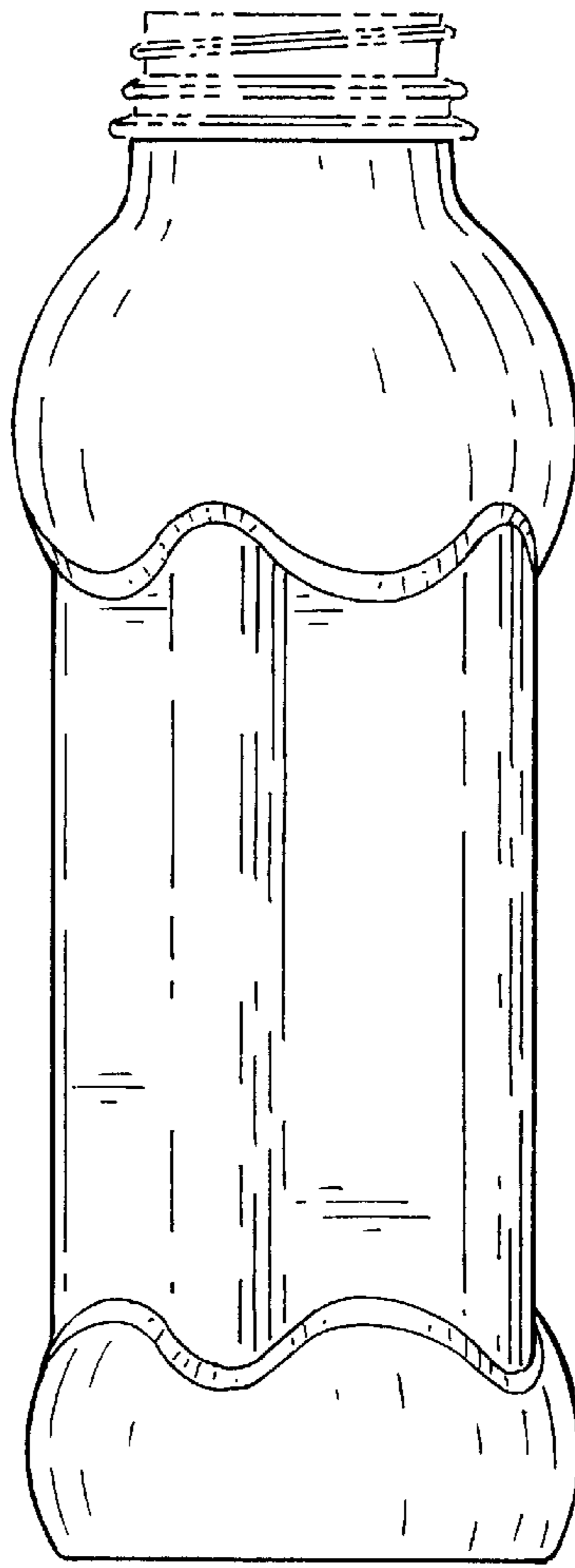
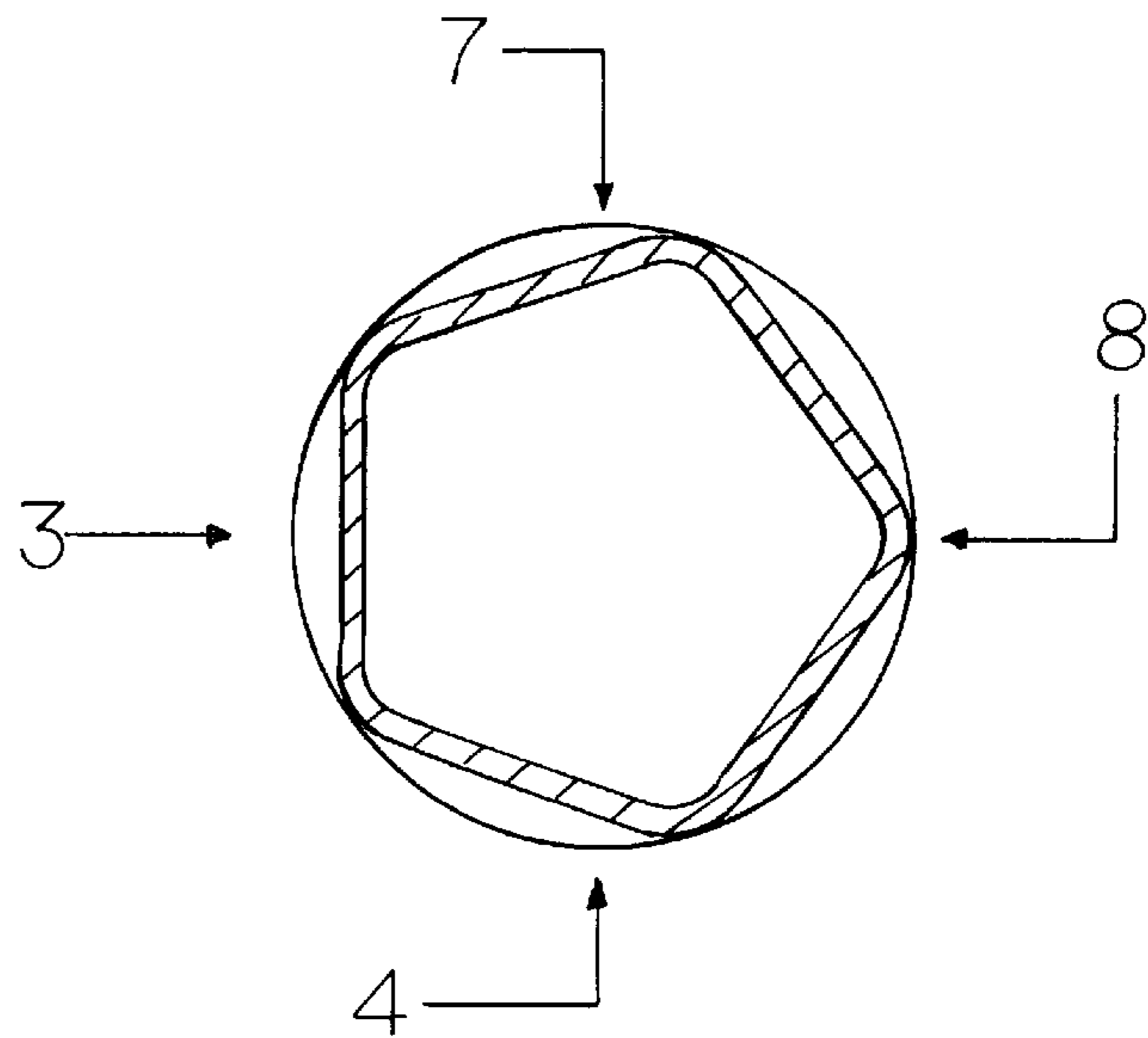


FIG. 5



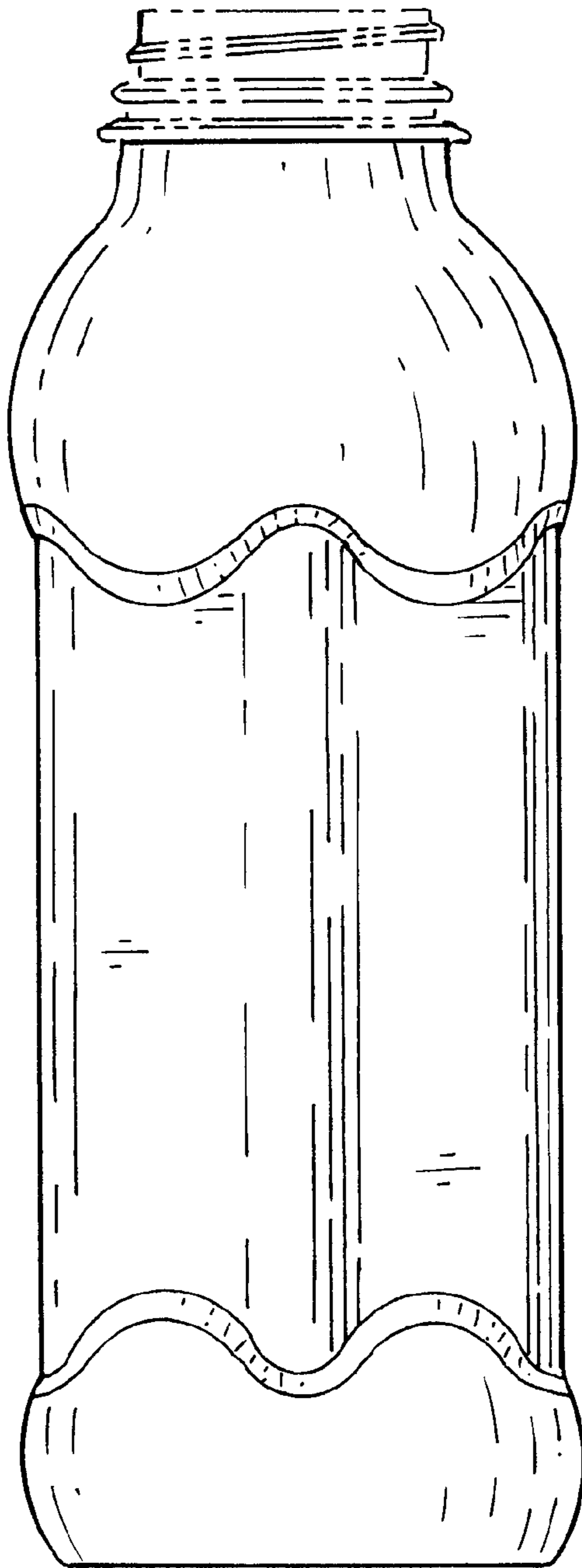


FIG. 8