



US00D472814S

(12) **United States Design Patent**
Wright

(10) **Patent No.:** **US D472,814 S**

(45) **Date of Patent:** **** Apr. 8, 2003**

(54) **BOTTLE**

(75) **Inventor:** **Russell Wright, Warwick, NY (US)**

(73) **Assignee:** **Warner-Lambert Company, Morris Plains, NJ (US)**

(**) **Term:** **14 Years**

(21) **Appl. No.:** **29/166,227**

(22) **Filed:** **Aug. 22, 2002**

(51) **LOC (7) Cl.** **09-01**

(52) **U.S. Cl.** **D9/530; D9/543; D9/572**

(58) **Field of Search** **D9/523, 527-531, D9/537-543, 560, 563, 570-571, 574-575; 215/382-384, 396, 398, 400; 222/206, 212, 215**

(56) **References Cited**

U.S. PATENT DOCUMENTS

- 3,536,500 A * 10/1970 Cleerman et al. 215/382 X
- D258,720 S * 3/1981 Evans et al. D9/543 X
- 4,993,565 A * 2/1991 Ota et al. 215/384
- 5,141,120 A * 8/1992 Brown et al. 215/381
- 5,141,121 A * 8/1992 Brown et al. 215/381
- 5,148,930 A * 9/1992 Ota et al. 215/384
- 5,165,557 A * 11/1992 Ota et al. 215/384
- 5,178,290 A * 1/1993 Ota et al. 215/382
- 5,199,587 A * 4/1993 Ota et al. 215/381
- 5,224,614 A 7/1993 Bono et al.
- 5,226,550 A * 7/1993 Mikolaitis et al. 215/384
- D382,807 S * 8/1997 Silvers et al. D9/543 X
- D383,067 S 9/1997 Gower et al.
- D385,497 S * 10/1997 Krishnakumar et al. D9/543
- 5,704,504 A 1/1998 Bueno

- D390,114 S * 2/1998 Young D9/540 X
- D393,210 S * 4/1998 Ewing, Jr. D9/543
- D419,872 S * 2/2000 Lane D9/537 X
- D420,587 S * 2/2000 Cheng et al. D9/540 X
- 6,029,837 A 2/2000 Slat et al.
- 6,036,037 A 3/2000 Scheffer et al.
- D424,446 S * 5/2000 Silvers et al. D9/540 X
- D429,152 S * 8/2000 Lane D9/434
- D429,164 S 8/2000 Peek et al.
- D441,295 S 5/2001 Krich
- 6,264,053 B1 7/2001 Slat
- 6,277,321 B1 * 8/2001 Vaillencourt et al. 264/529
- D456,712 S 5/2002 Krich
- 6,398,052 B1 6/2002 Cheng et al.

* cited by examiner

Primary Examiner—Mitchell Siegel
Assistant Examiner—Carol Rademaker
(74) *Attorney, Agent, or Firm*—Darryl C. Little; Evan J. Federman

(57) **CLAIM**

The ornamental design for a bottle, as shown and described.

DESCRIPTION

FIG. 1 is a rear perspective view of the bottle;
FIG. 2 is a front perspective view of the bottle;
FIG. 3 is a top plan view of the bottle;
FIG. 4 is a rear elevational view of the bottle;
FIG. 5 is a left side elevational view of the bottle;
FIG. 6 is a front elevational view of the bottle; and,
FIG. 7 is a bottom plan view of the bottle.
The broken lines shown in the figures are for illustrative purposes only and form no part of the claimed design.

1 Claim, 7 Drawing Sheets

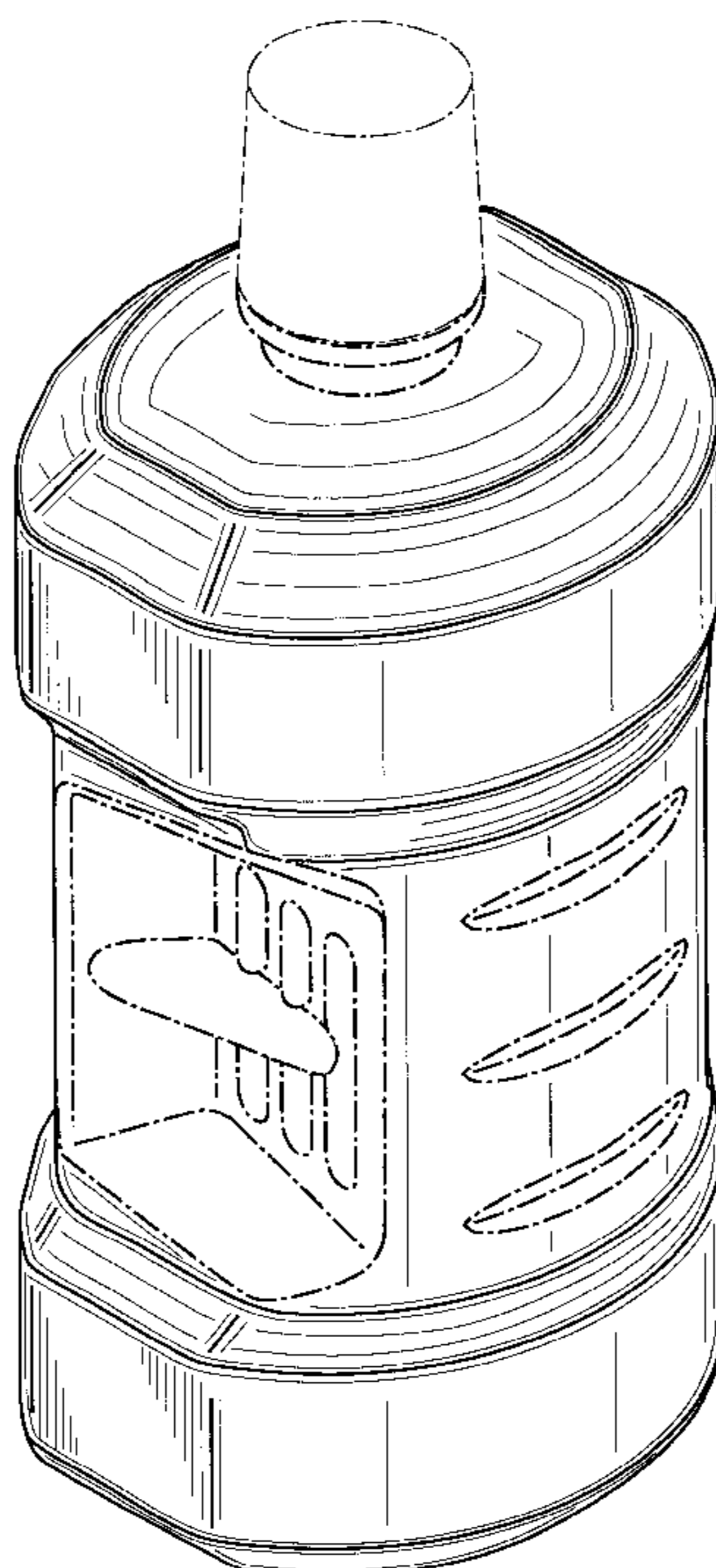


FIG. 1

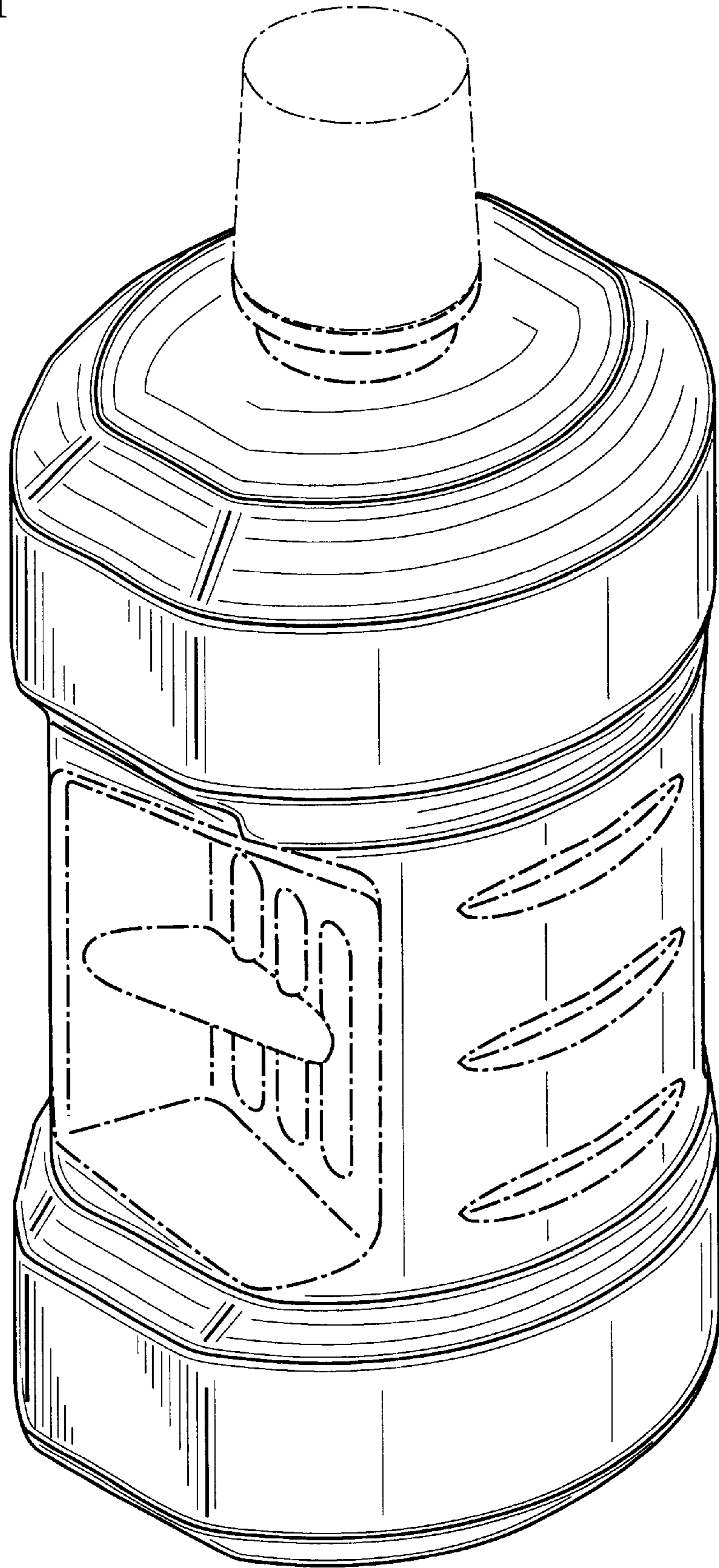


FIG. 2

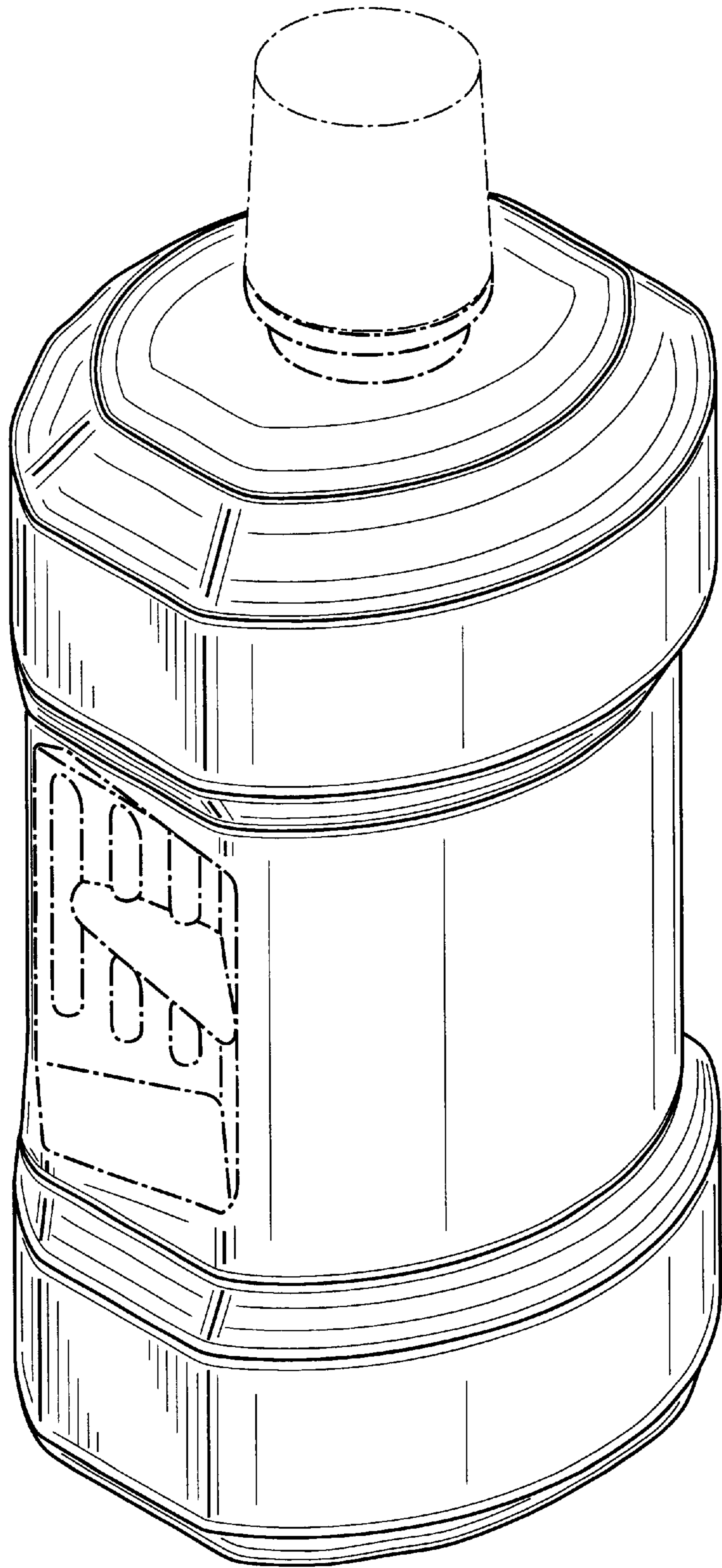


FIG. 3

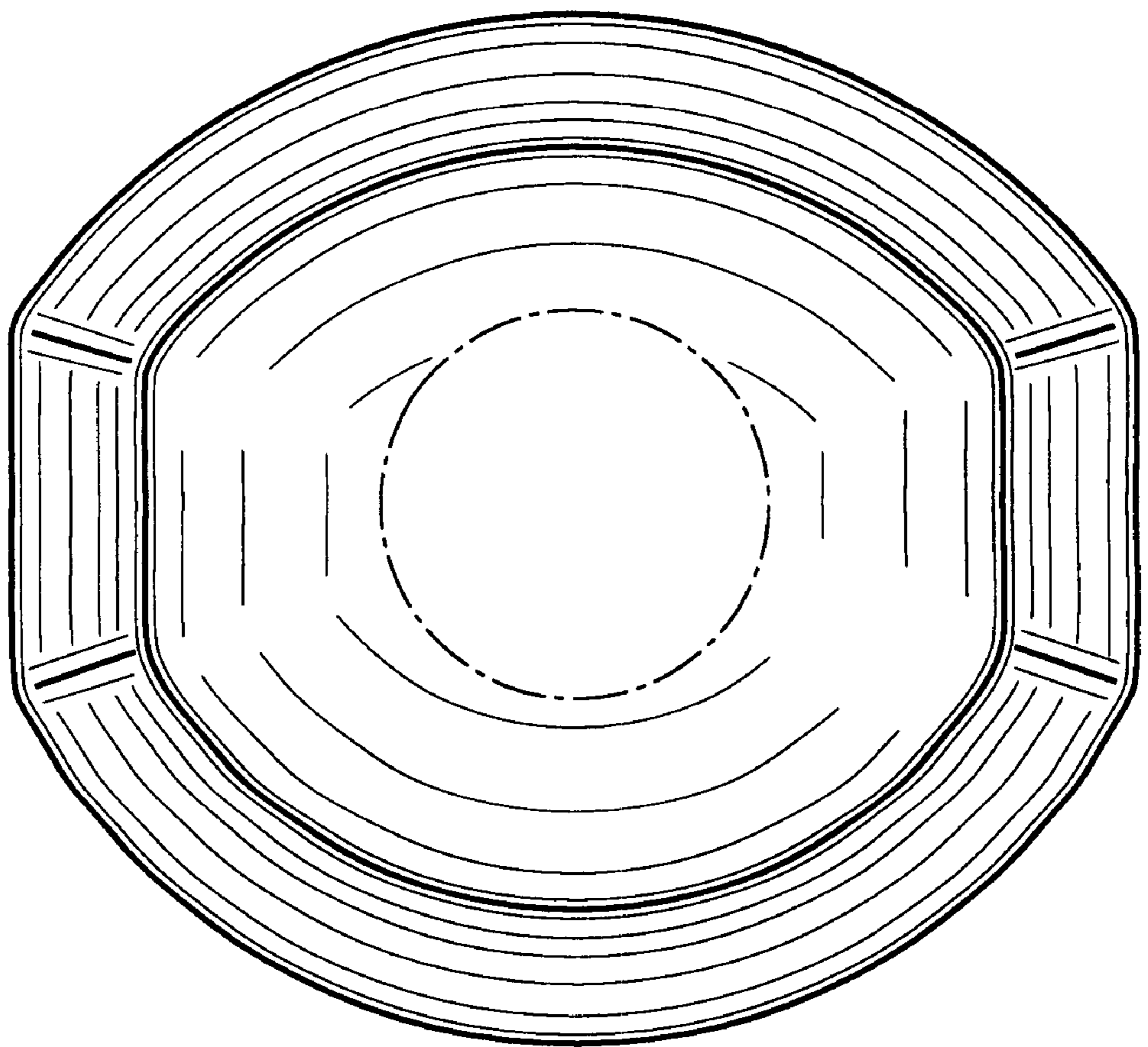


FIG. 4

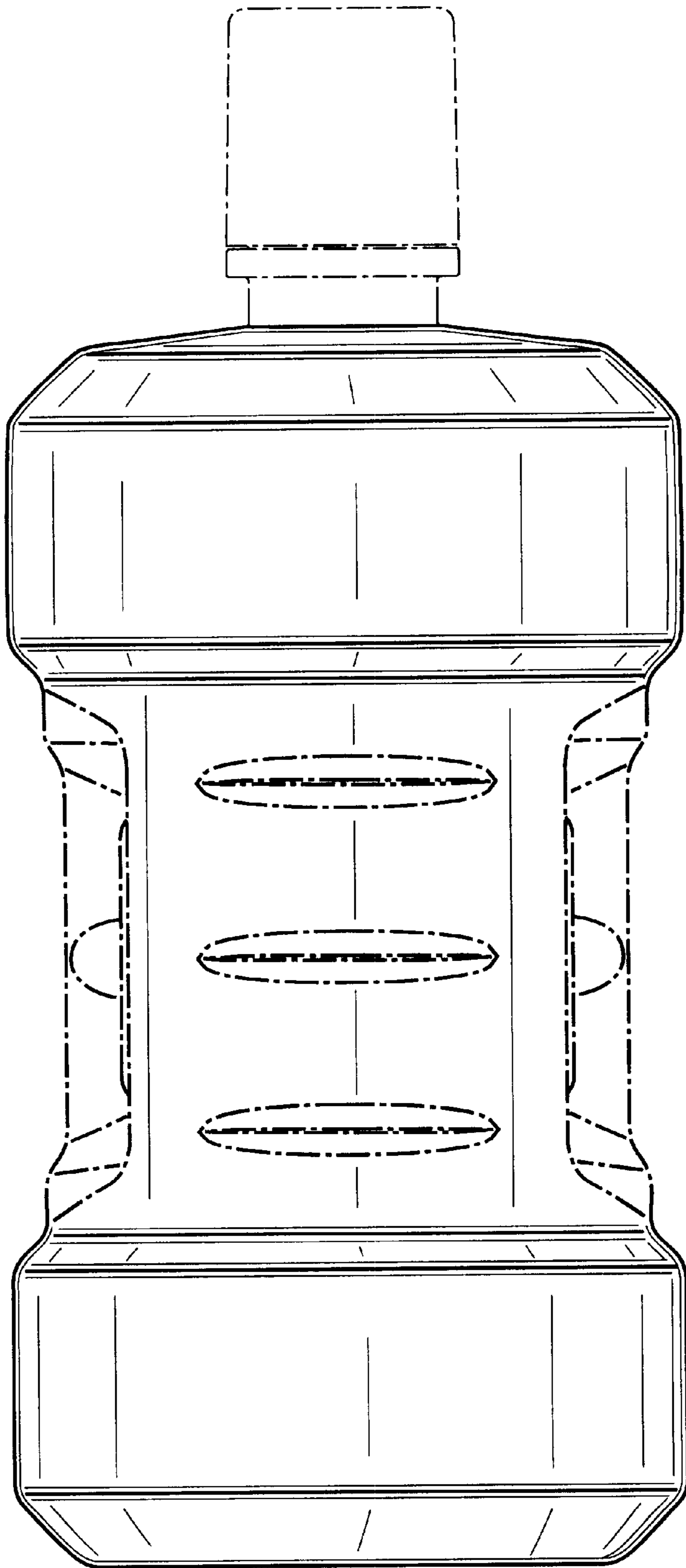


FIG. 5

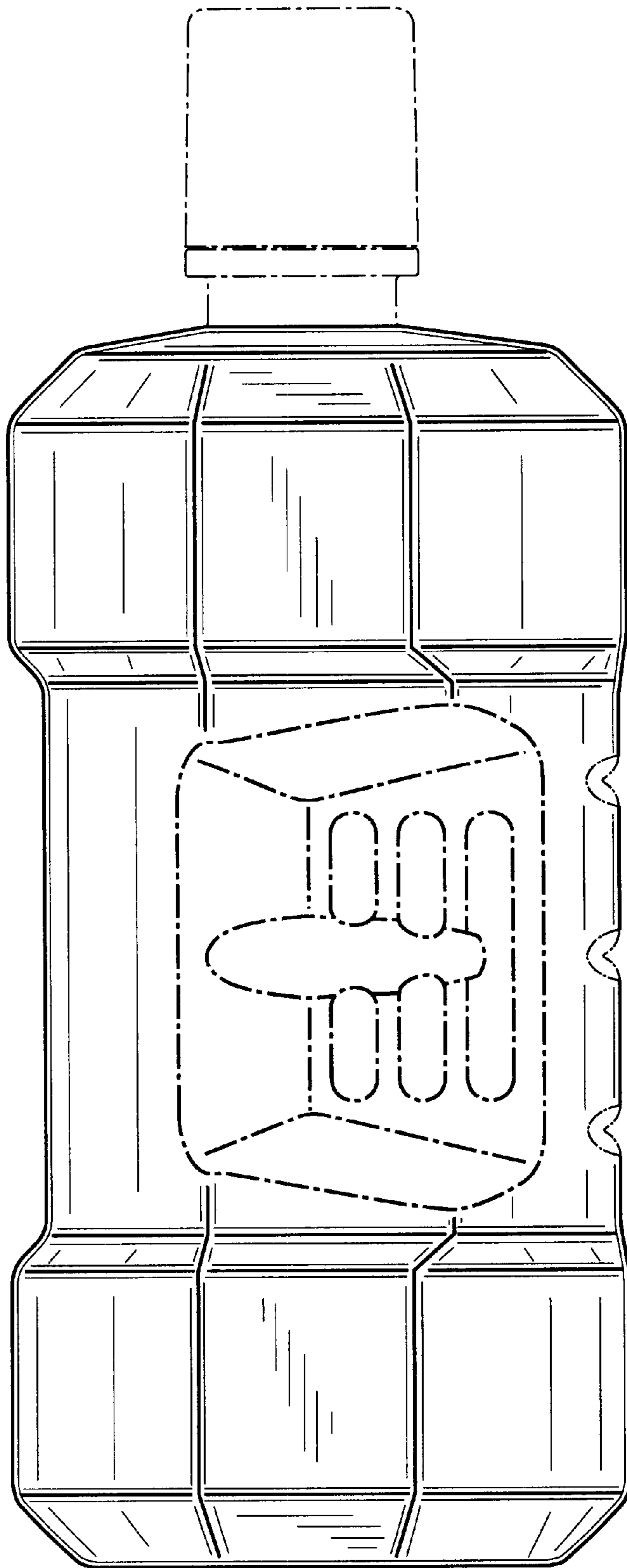


FIG. 6

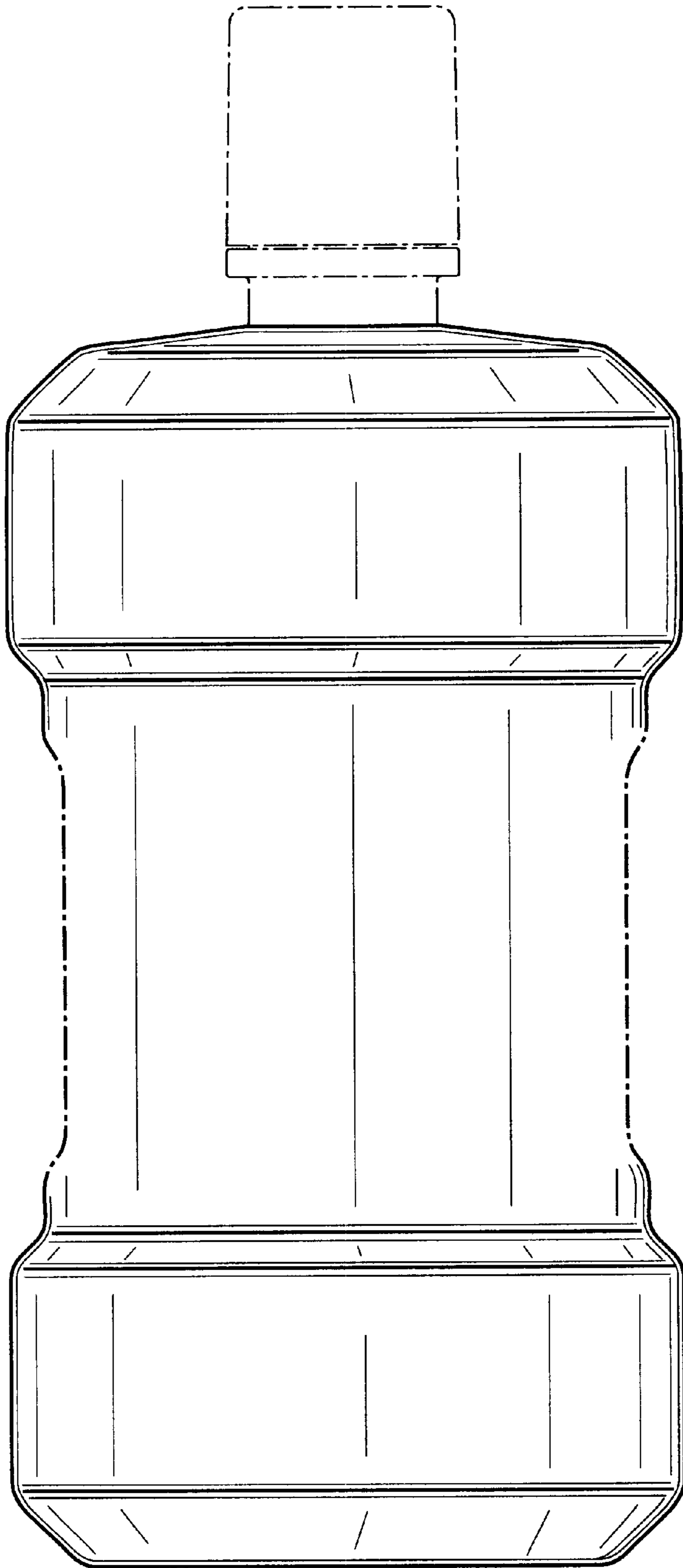


FIG. 7

