



US00D472798S

(12) **United States Design Patent**
Kalbach

(10) **Patent No.:** **US D472,798 S**

(45) **Date of Patent:** **** Apr. 8, 2003**

(54) **CLIP STRUCTURE**

(75) Inventor: **Edward Van Lee Kalbach**, Nibley, UT (US)

(73) Assignee: **EK Ekcessories, Inc.**, Nibley, UT (US)

(**) Term: **14 Years**

(21) Appl. No.: **29/127,275**

(22) Filed: **Aug. 2, 2000**

(51) **LOC (7) Cl.** **08-08**

(52) **U.S. Cl.** **D8/396**

(58) **Field of Search** D8/394-396; 24/10 R,
24/11 R, 3.4; D19/56, 65, 44, 54, 81, 57;
D11/200, 215; 401/88, 131

(56) **References Cited**

U.S. PATENT DOCUMENTS

33,894 A	*	12/1861	Lord	24/10 R
452,830 A		5/1891	Bowie et al.		
652,891 A		7/1900	Cochran		
1,509,781 A		9/1924	Roth		
1,889,738 A	*	11/1932	Nelson	401/131
2,572,889 A		10/1951	Strykower		
2,783,926 A		3/1957	Wise		
2,947,456 A		8/1960	Seron		
3,927,808 A		12/1975	Steen		
D245,728 S		9/1977	Rials		
4,156,574 A		5/1979	Boden		
4,171,555 A		10/1979	Bakker et al.		
D278,369 S		4/1985	Pringle et al.		
D285,865 S		9/1986	Gamble		
D291,894 S		9/1987	Weisenfeld et al.		
D292,543 S		11/1987	Smith		
D292,750 S		11/1987	Smith		
D309,619 S		7/1990	Kalbach		
D310,305 S		9/1990	Scognamillo et al.		
D310,448 S		9/1990	Scognamillo et al.		
5,215,237 A		6/1993	Wu		
5,379,928 A	*	1/1995	Mikkelsen	24/3.4
D377,562 S		1/1997	Wolfram		
D385,415 S		10/1997	Turbide		
D396,886 S	*	8/1998	de Melo et al.	D19/57

D437,889 S	*	2/2001	Richter	D19/44
6,394,677 B2	*	5/2002	Wang	24/3.4

OTHER PUBLICATIONS

Hong Kong Enterprise vol. 10 1997 p. 999 pen holders.*
 “Shockers Eyewear Retainers & Sports Accessories Catalog,” 1997, Portland, Oregon.
 “Shockers Eyewear Retainers & Sports Accessories Catalog,” 1989-1999, Newberg, Oregon.
 “SnugZ USA Catalog” Jan. 1, 1997.
 “J.A.M. Plastics, Inc. Catalog” Oct. 1, 1996, Anaheim, California.
 Neckwear and Wristwear, Comprehensive Identification Products, Inc., 1997.
 CIPI—Products—Neckwear & Wristwear—Lanyards, Feb. 13, 1998, Website.
 Neon Lanyards . . . Braided nylon lanyards with . . . , 1995-98, Website.
 CWA Lanyards, p. 1, Website.
 IRIS Catalog, Lanyards.
 The Logo Shop Catalog, Logo Watch Co., p. 2, 1997, Logan Utah.
 “SnugZ USA Catalog” Jan. 1, 2000.

* cited by examiner

Primary Examiner—Louis S. Zarfes
Assistant Examiner—Deanne Levy
 (74) *Attorney, Agent, or Firm*—TraskBritt

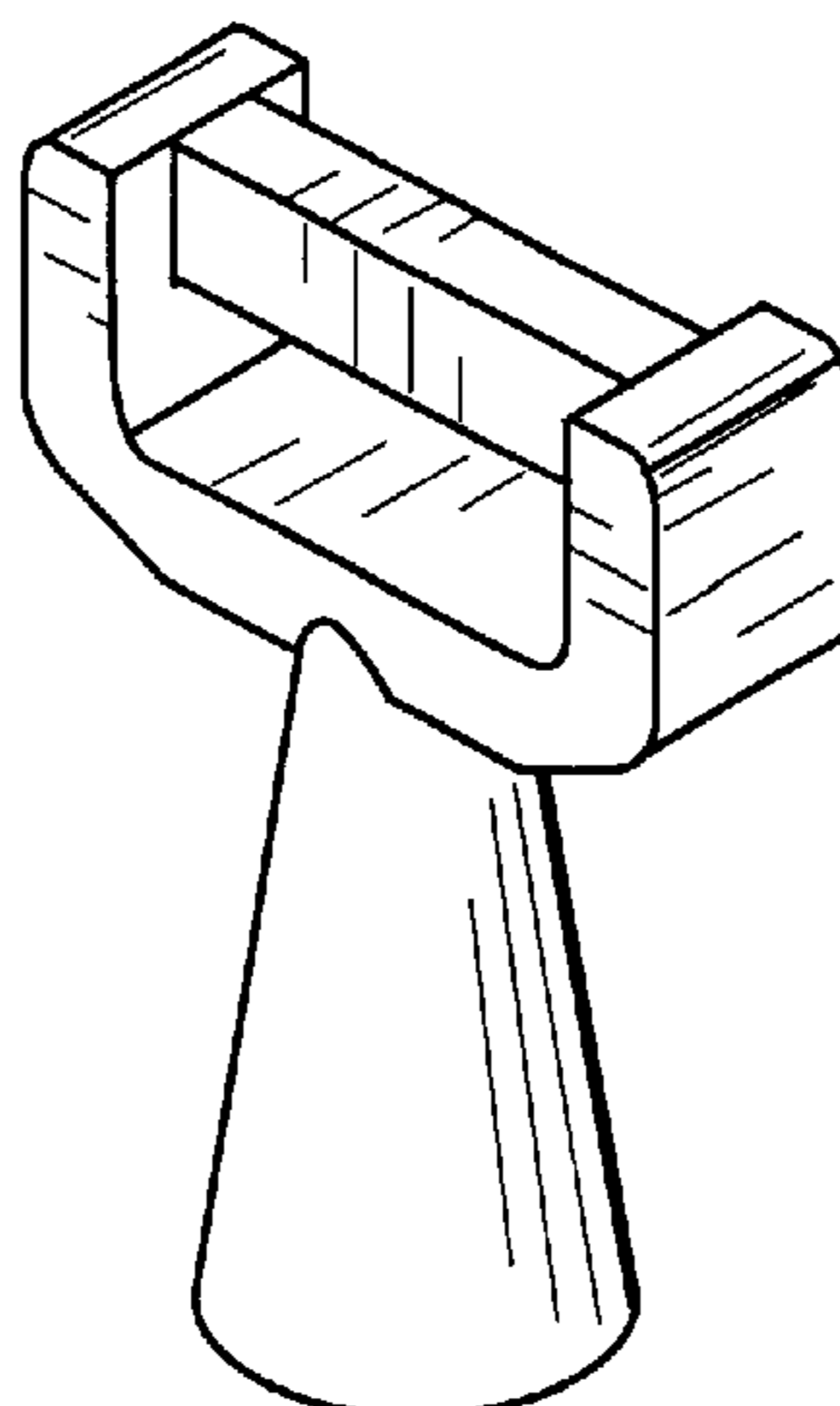
(57) **CLAIM**

The ornamental designs for a clip structure, as shown and described.

DESCRIPTION

FIG. 1 is a perspective view of a clip structure showing my design;
 FIG. 2 is a rear elevational view thereof;
 FIG. 3 is a side elevational view thereof;
 FIG. 4 is a bottom view thereof; and,
 FIG. 5 is a top view thereof.

1 Claim, 1 Drawing Sheet



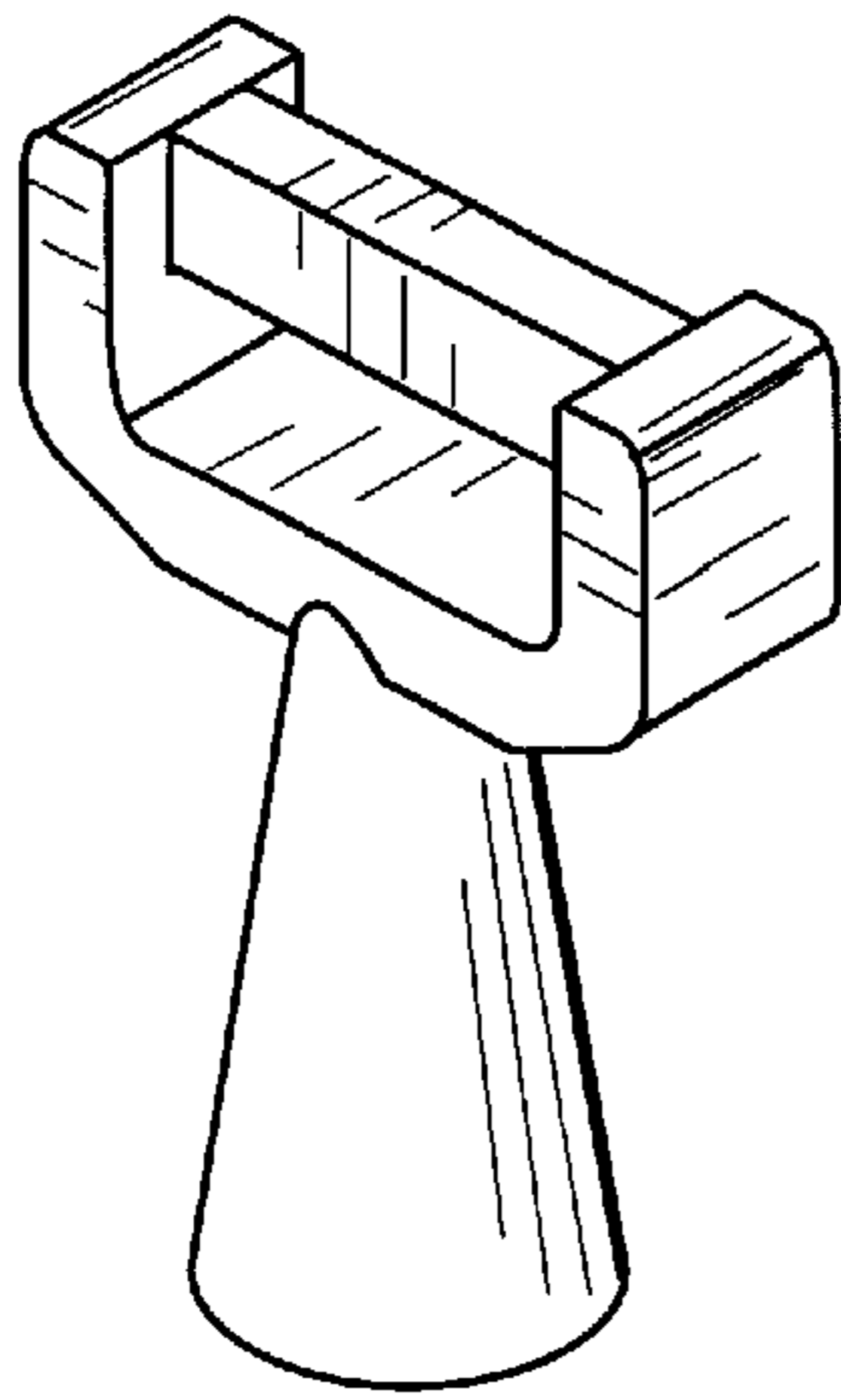


Fig. 1

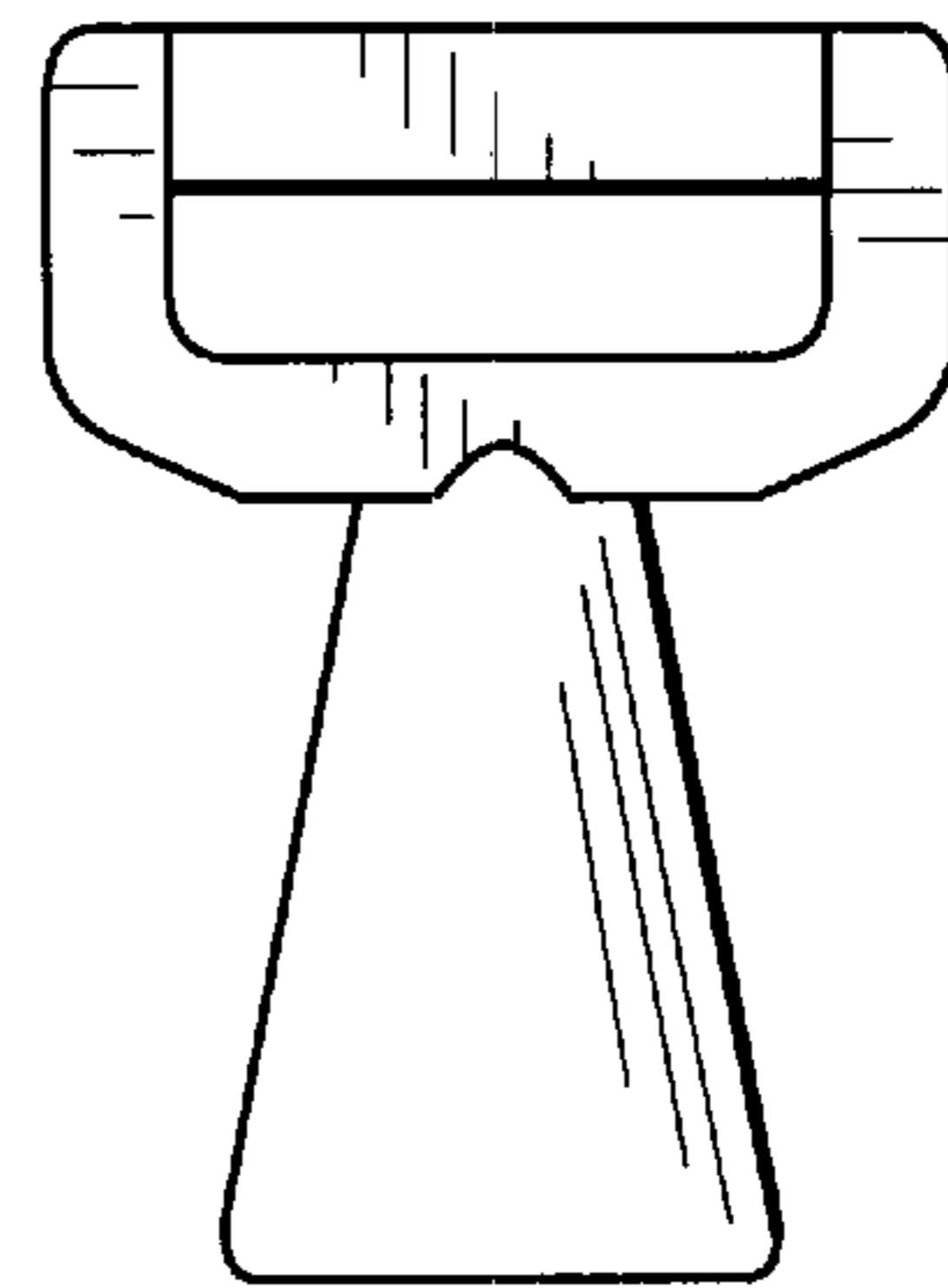


Fig. 2

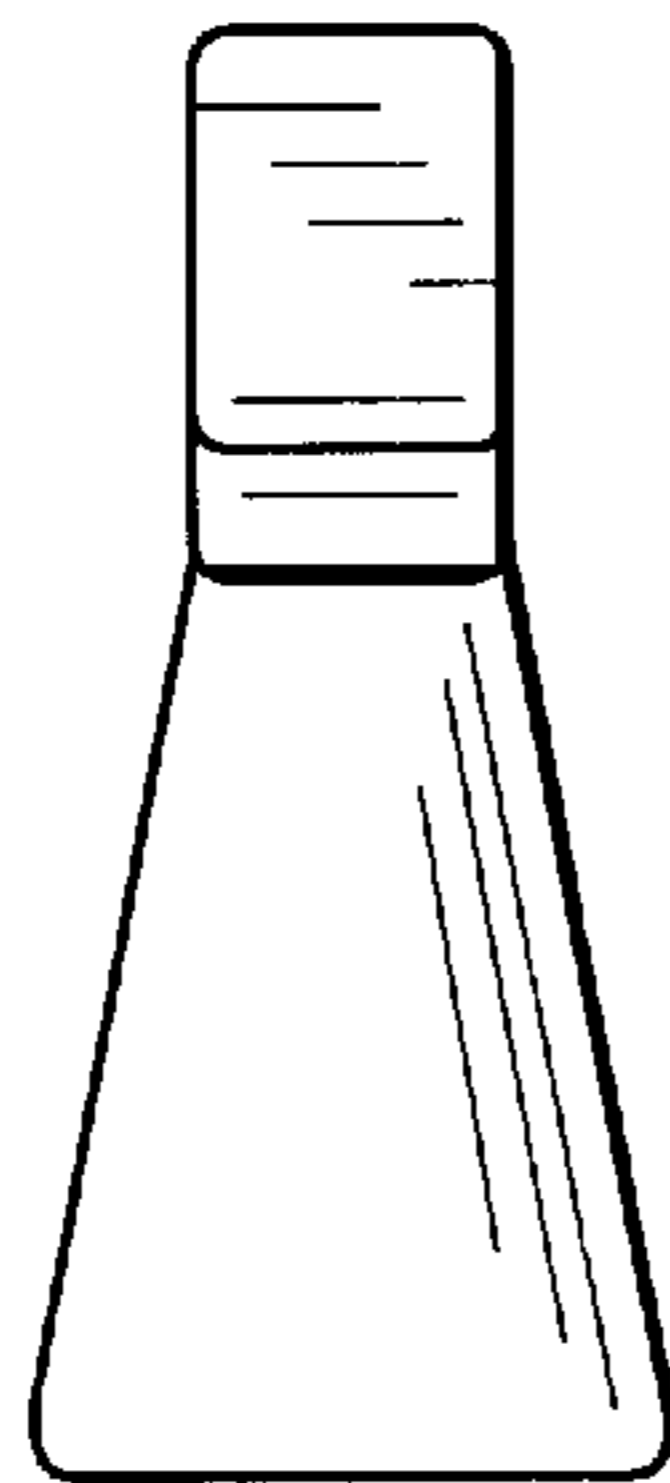


Fig. 3

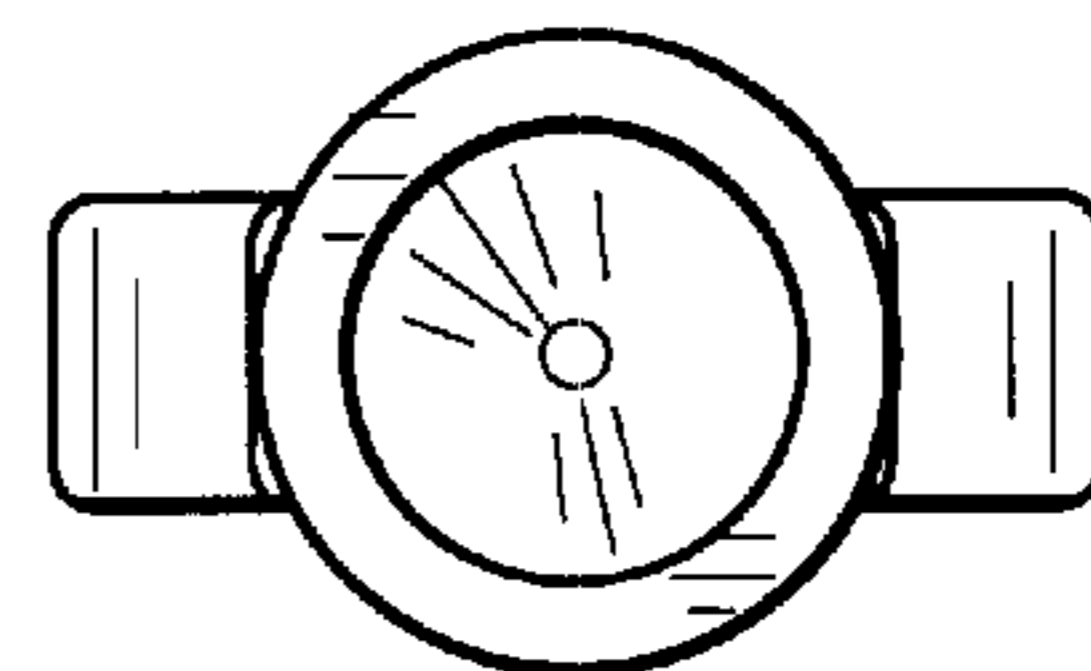


Fig. 4

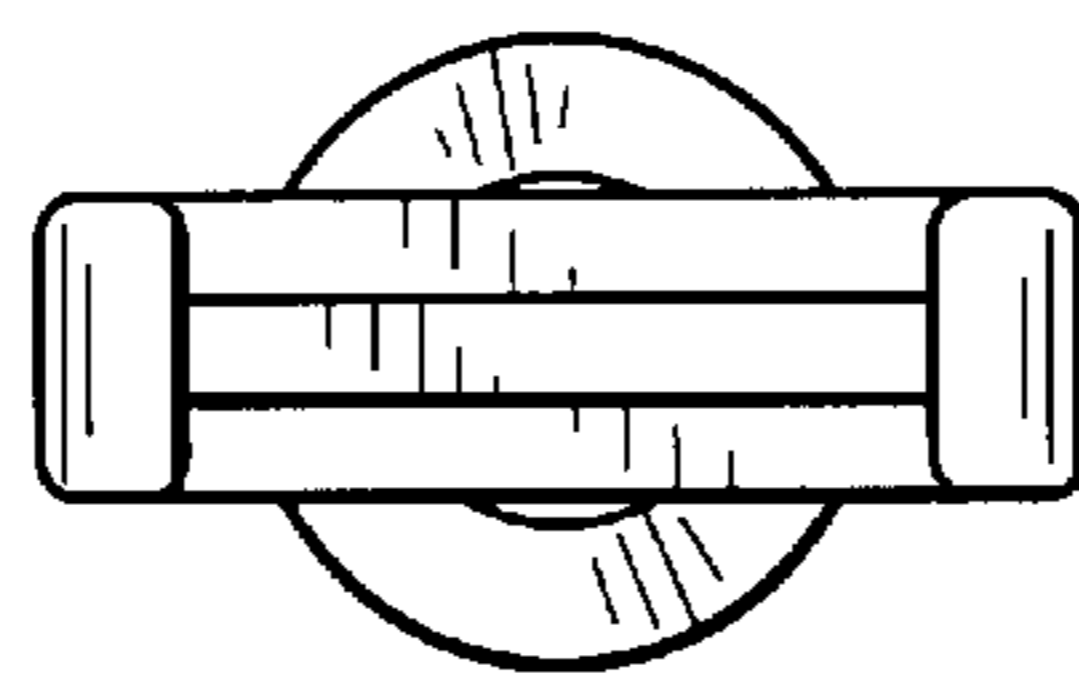


Fig. 5