



US00D472794S

(12) **United States Design Patent**
LaPlume et al.

(10) **Patent No.:** **US D472,794 S**
(45) **Date of Patent:** **** Apr. 8, 2003**

(54) **ESCUTCHEON**

(75) Inventors: **Zhiqian LaPlume**, Huntington Beach, CA (US); **Anthony J. Carsello**, Chino Hills, CA (US)

(73) Assignee: **Newfrey LLC**, Newark, DE (US)

(**) Term: **14 Years**

(21) Appl. No.: **29/136,868**

(22) Filed: **Feb. 8, 2001**

(51) **LOC (7) Cl.** **11-05**

(52) **U.S. Cl.** **D8/350**

(58) **Field of Search** D8/300-302, 350, D8/352, 353; D6/550; 292/336.3, 347, 357; 174/66; 220/241; 16/402; 70/450, 452

(56) **References Cited**

U.S. PATENT DOCUMENTS

D300,203 S	*	3/1989	Halsted et al.	D8/302
D312,565 S		12/1990	Abraham et al.	
D362,380 S		9/1995	Ellis et al.	
D362,609 S	*	9/1995	Ellis et al.	D8/302
D363,204 S		10/1995	Ellis et al.	
D447,927 S	*	9/2001	LaPlume et al.	D8/302

OTHER PUBLICATIONS

Weiser Lock brochure; Columbia lock escutcheon.*
Weiser Locks brochure; Marielle Handleset.*
Elegance in Solid Brass; Valli & Columbo p. 6.*
Weslok/National brochure; Mansion handleset.*

* cited by examiner

Primary Examiner—B. J. Bullock

(57) **CLAIM**

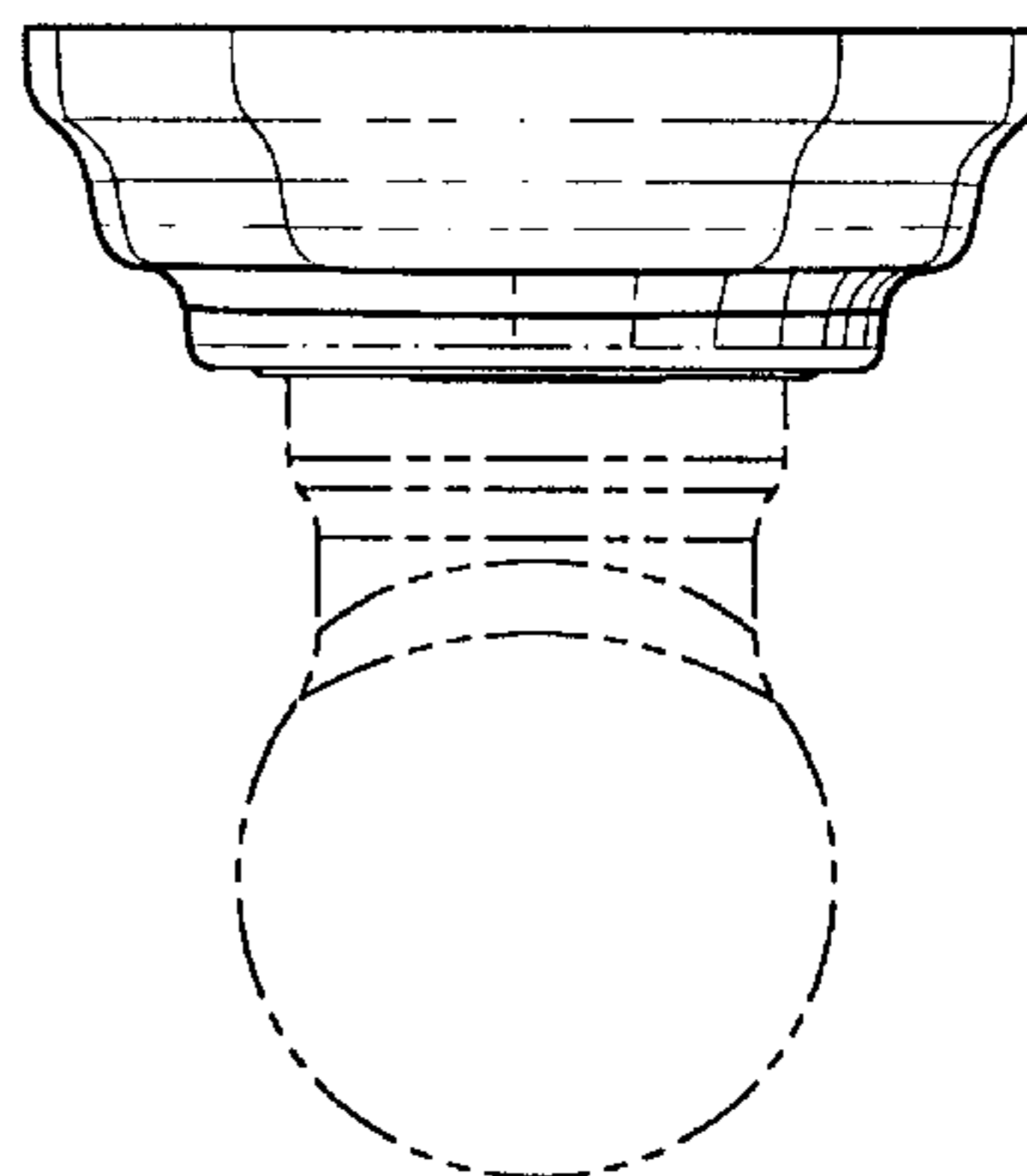
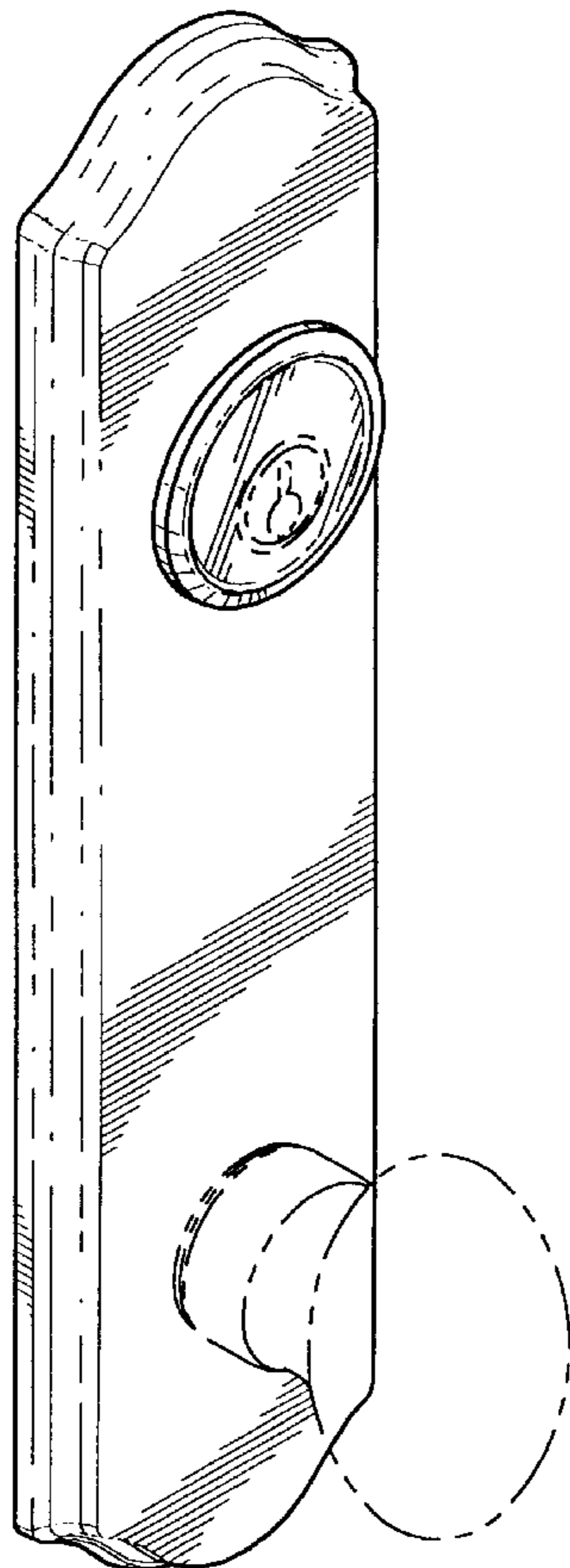
The ornamental design for an escutcheon, as shown and described.

DESCRIPTION

FIG. 1 is a perspective view of the new design for an escutcheon;
FIG. 2 is a bottom plan view of the new design for an escutcheon;
FIG. 3 is a top plan view of the new design for an escutcheon;
FIG. 4 is a right side elevational view of the new design for an escutcheon; and,
FIG. 5 is a front elevational view of the new design for an escutcheon.

The broken lines are for illustrative purposes only and form no part of the claimed design.

1 Claim, 2 Drawing Sheets



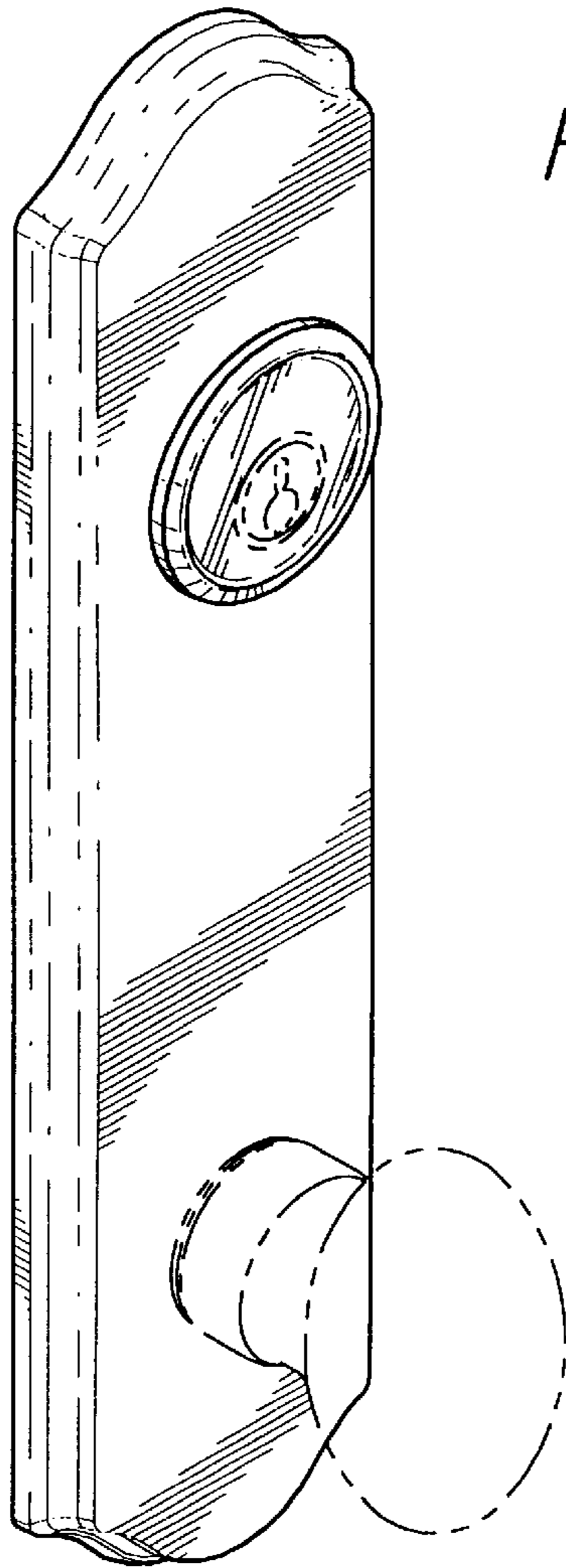


FIG. 1

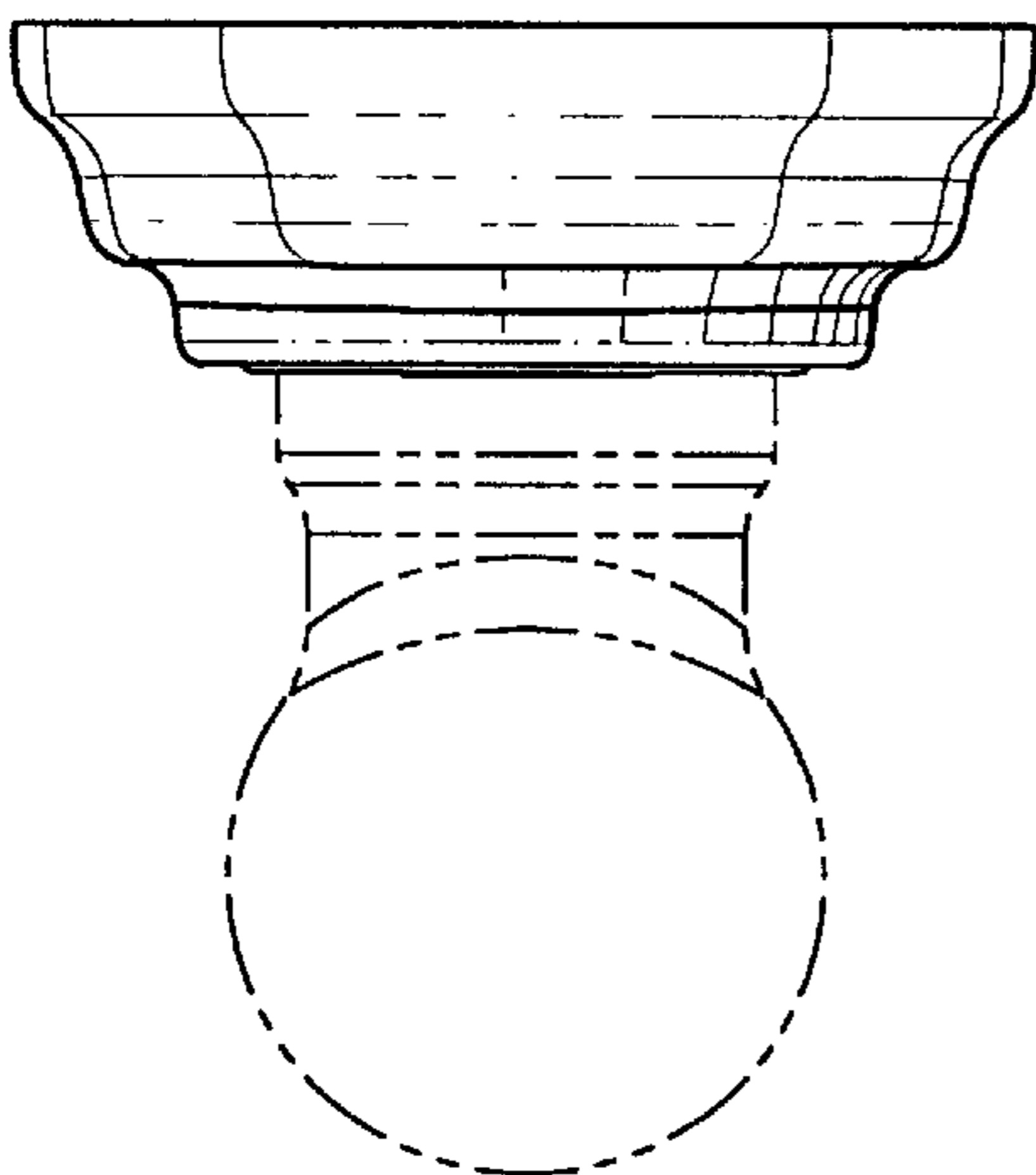


FIG. 2

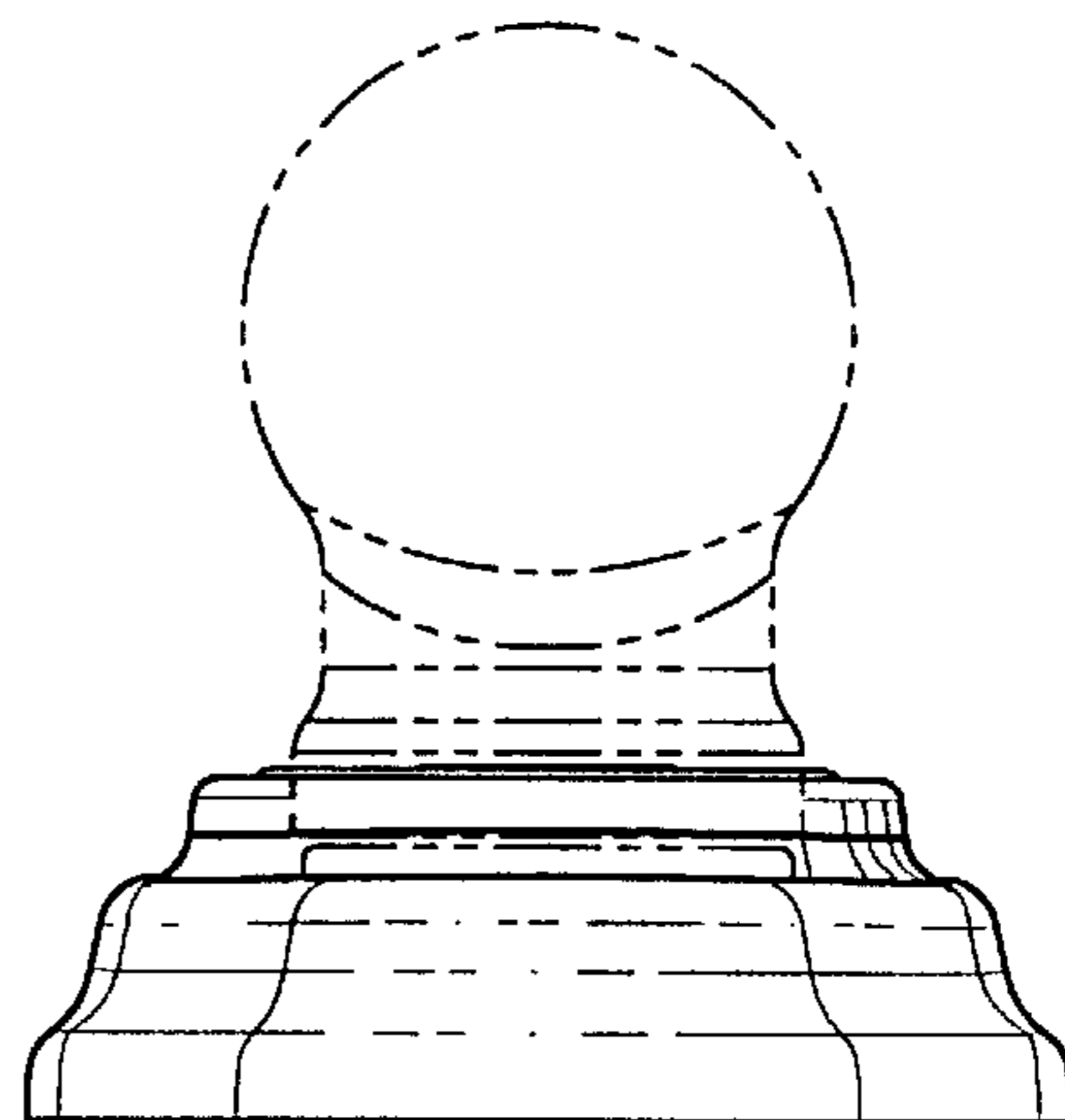


FIG. 3

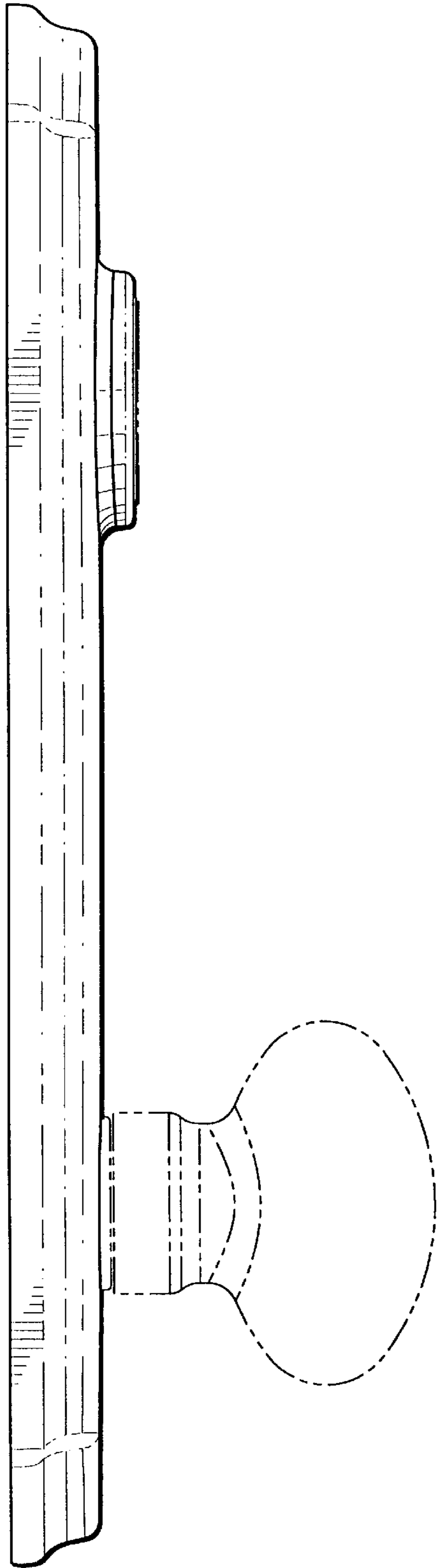


FIG. 4

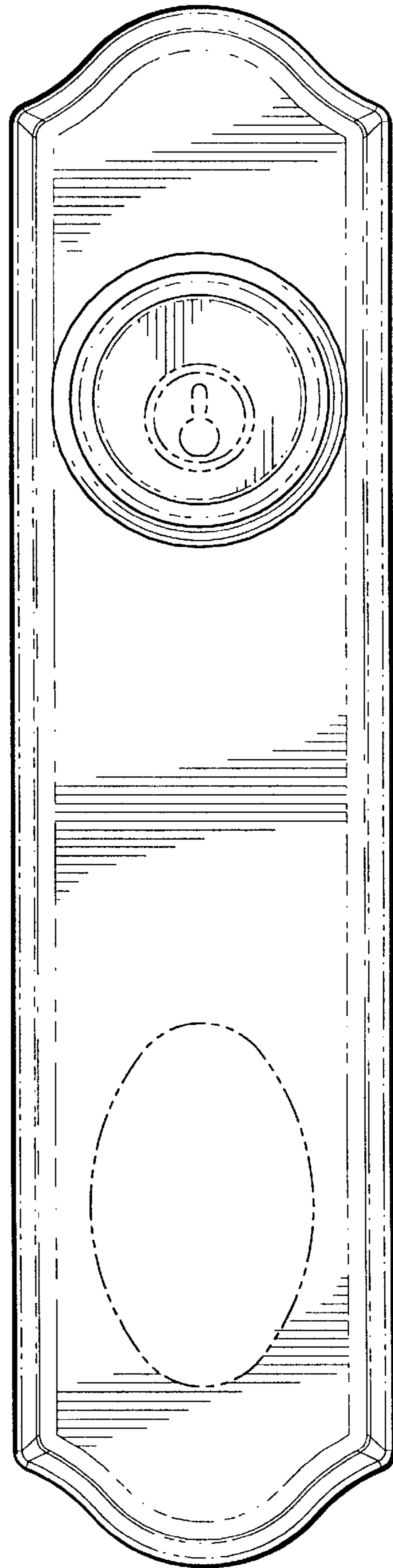


FIG. 5