



US00D472793S

(12) **United States Design Patent**
Callahan et al.

(10) **Patent No.:** **US D472,793 S**

(45) **Date of Patent:** **** Apr. 8, 2003**

(54) **JOIST REINFORCING BRACKET**

(76) Inventors: **Robert M. Callahan**, 558 Downing St.,
Roanoke, VA (US) 24019; **Ronald B. Shiflett**, 683 Patti Rd., Rocky Mount,
VA (US) 24151

(**) Term: **14 Years**

(21) Appl. No.: **29/168,136**

(22) Filed: **Sep. 27, 2002**

(51) **LOC (7) Cl.** **08-08**

(52) **U.S. Cl.** **D8/349**

(58) **Field of Search** D8/349, 354, 363,
D8/366, 371, 373, 380, 381, 382, 384;
52/220.1, 220.8, 264, 295, 370, 372, 483.1,
489.2, 634, 690, 691, 692, 693, 694, 696,
712, 713, 714, 715, 731.1; 248/57, 65,
247, 248, 300; D25/199

(56) **References Cited**

U.S. PATENT DOCUMENTS

2,200,159	A	*	5/1940	Davis, Jr.	52/690
2,235,761	A	*	3/1941	Goldsmith	52/690
2,369,687	A	*	2/1945	Ralston	D25/199
3,840,124	A	*	10/1974	Atwater	52/696
4,160,350	A	*	7/1979	Craib	52/696
4,551,957	A	*	11/1985	Madray	52/737.2
5,044,138	A	*	9/1991	Zaccardelli et al.	52/664

5,230,190	A	*	7/1993	Schuette	52/220.1
5,519,977	A		5/1996	Callahan et al.		
5,546,716	A	*	8/1996	Broxterman et al.	52/220.1
D426,003	S	*	5/2000	Neuhofer, Jr.	D25/199
6,170,218	B1	*	1/2001	Shahnazarian	52/713
6,286,285	B1	*	9/2001	Martell	52/712

* cited by examiner

Primary Examiner—Doris V. Coles

Assistant Examiner—Elizabeth A. Albert

(74) *Attorney, Agent, or Firm*—Stephen R. Greiner

(57) **CLAIM**

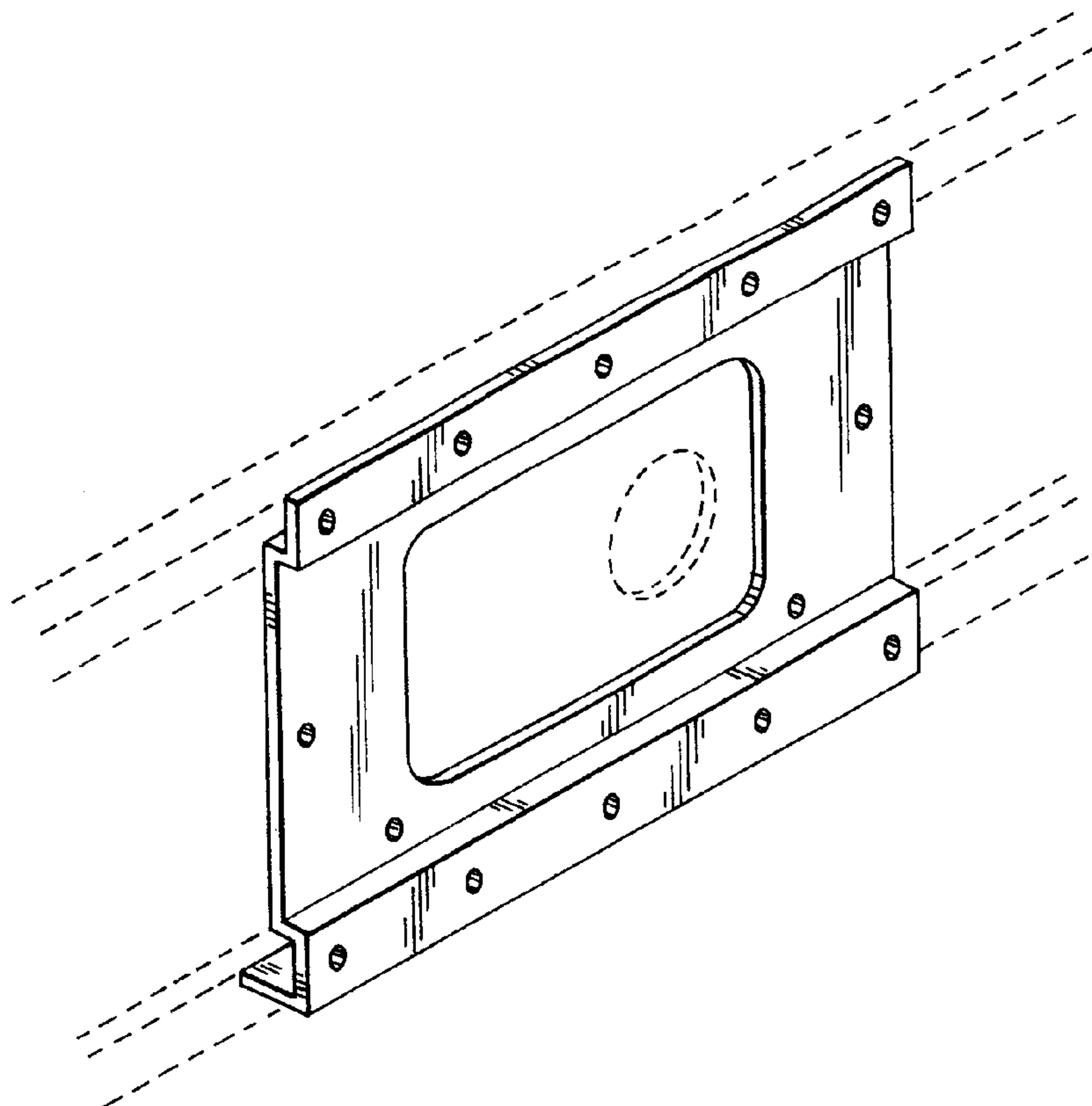
The ornamental design for a joist reinforcing bracket, as shown and described.

DESCRIPTION

FIG. 1 is a perspective view of a joist reinforcing bracket showing our new design;
 FIG. 2 is a left side elevational view with the right side being a mirror image thereof;
 FIG. 3 is a front elevational view thereof;
 FIG. 4 is a rear elevational view thereof;
 FIG. 5 is a bottom view thereof; and,
 FIG. 6 is a top view thereof.

The broken line showing of a joist in FIGS. 1–6 is for illustrative purposes only and forms no part of the claimed design.

1 Claim, 1 Drawing Sheet



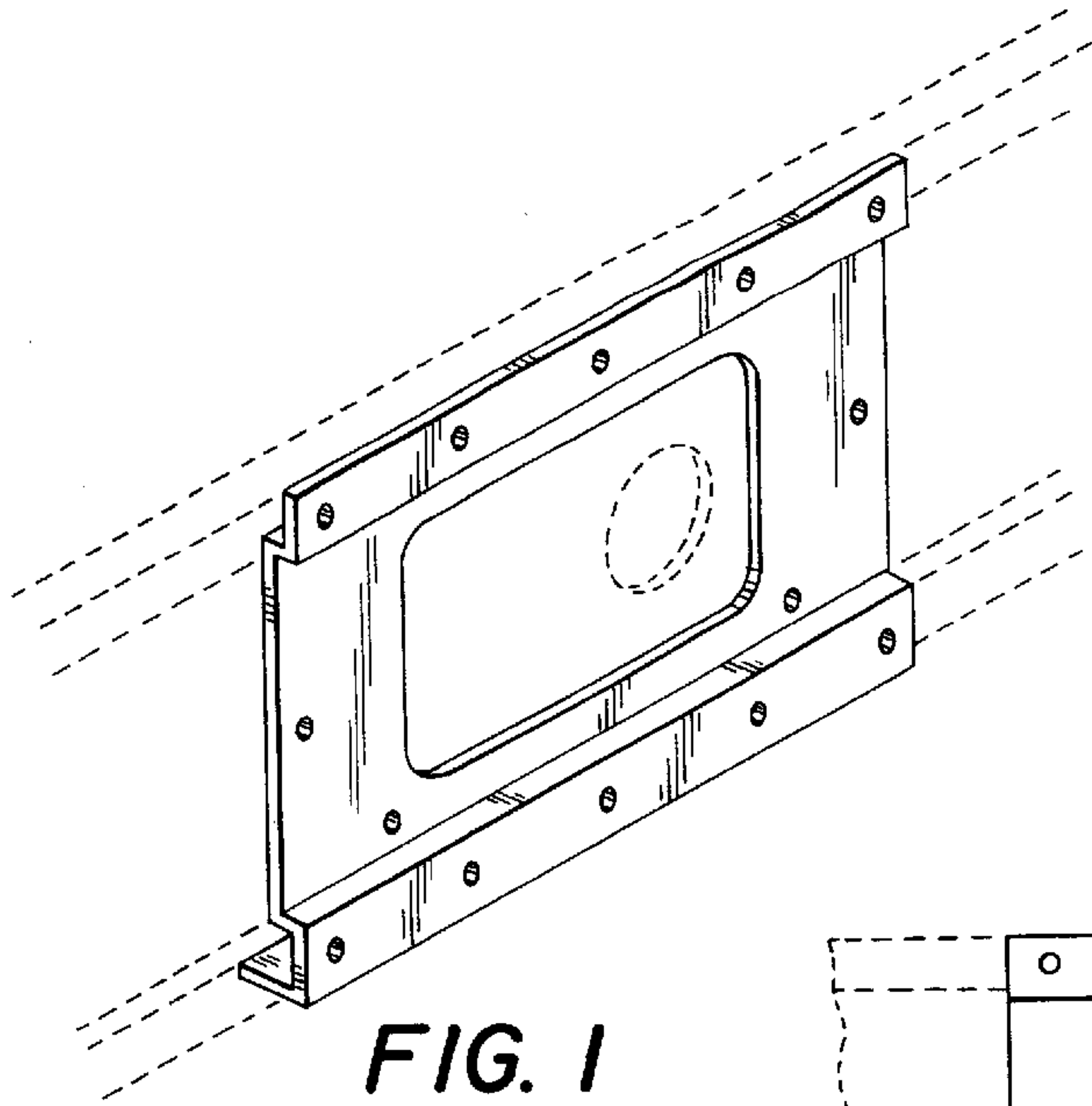


FIG. 1



FIG. 2

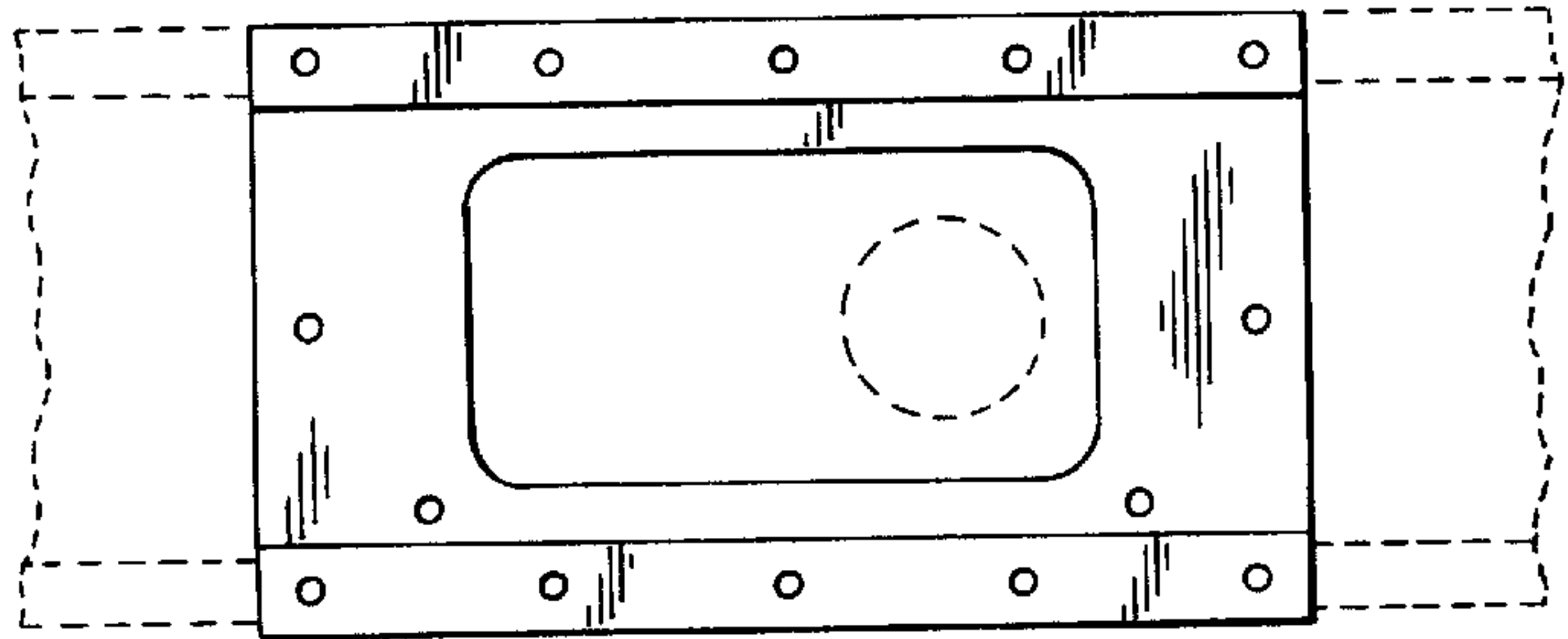


FIG. 3

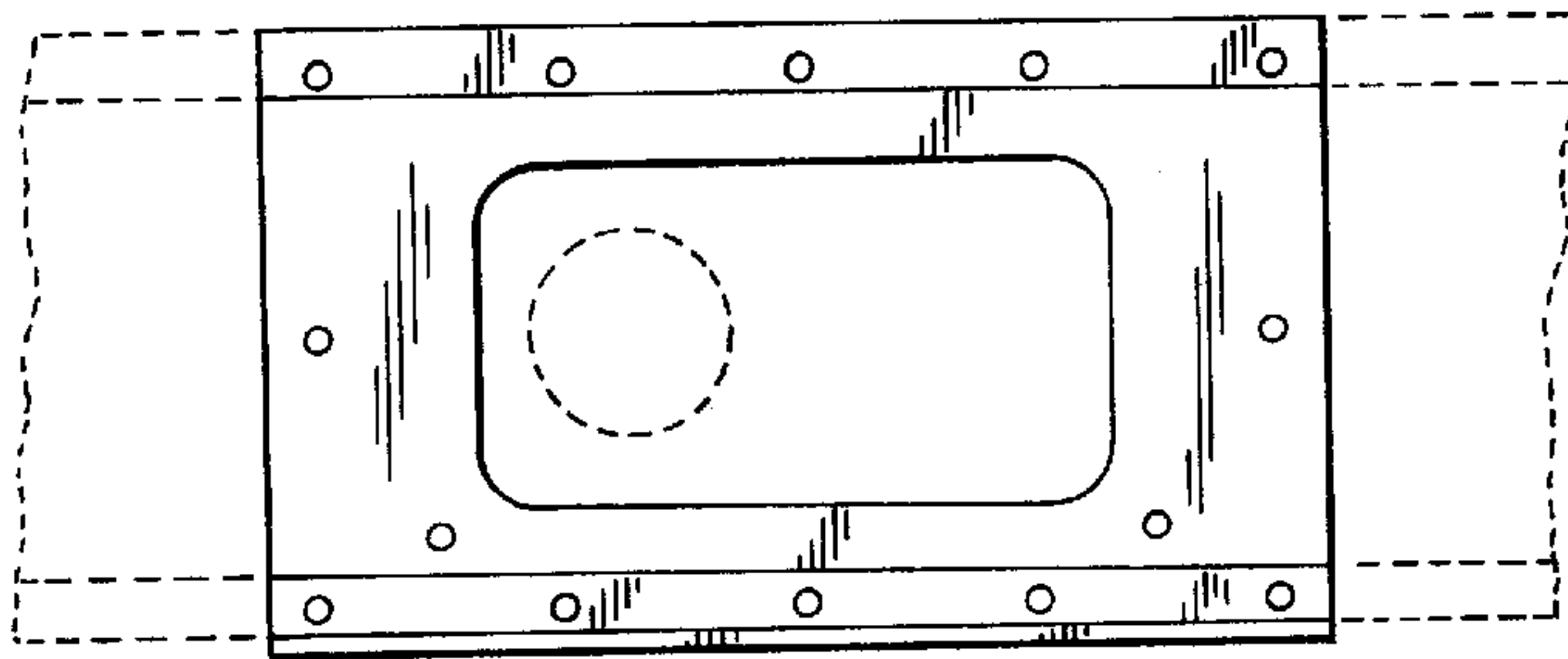


FIG. 4

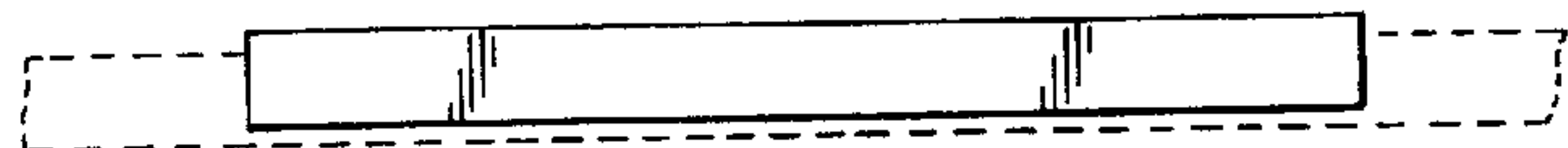


FIG. 5

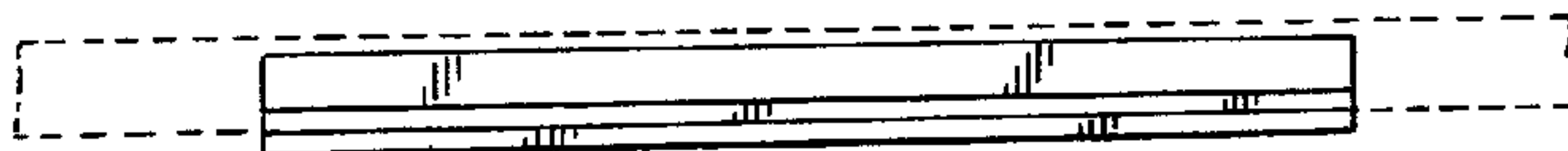


FIG. 6