



US00D472792S

(12) **United States Design Patent**
Callahan et al.

(10) **Patent No.:** **US D472,792 S**

(45) **Date of Patent:** **** Apr. 8, 2003**

(54) **JOIST REINFORCING BRACKET**

(76) Inventors: **Robert M. Callahan**, 558 Downing St.,
Roanoke, VA (US) 24019; **Ronald B. Shiflett**, 683 Patti Rd., Rocky Mount,
VA (US) 24151

(**) Term: **14 Years**

(21) Appl. No.: **29/168,135**

(22) Filed: **Sep. 27, 2002**

(65) **Prior Publication Data**

- (65)
- (51) **LOC (7) Cl.** **08-08**
- (52) **U.S. Cl.** **D8/349**
- (58) **Field of Search** D8/349, 354, 363,
D8/366, 371, 373, 380, 381, 382, 384;
52/220.1, 220.8, 264, 295, 370, 372, 483.1,
489.2, 634, 690, 691, 692, 693, 694, 696,
712, 713, 714, 715, 731.1; 248/57, 65,
247, 248, 300; D25/199

(56) **References Cited**

U.S. PATENT DOCUMENTS

- 2,200,159 A * 5/1940 Davis, Jr. 52/690
- 2,235,761 A * 3/1941 Goldsmith 52/690
- 2,369,687 A * 2/1945 Ralston D25/199
- 3,034,185 A 5/1962 Olsen
- 3,366,356 A 1/1968 Fisher
- 3,840,124 A * 10/1974 Atwater 52/696
- 3,918,667 A 11/1975 Madden
- 3,979,093 A 9/1976 Madden

- 4,160,350 A * 7/1979 Craib 52/696
- 4,329,826 A 5/1982 Flogaus et al.
- 4,551,957 A * 11/1985 Madray 52/737.2
- 5,044,138 A * 9/1991 Zaccardelli et al. 52/664
- 5,230,190 A * 7/1993 Schuette 52/220.1
- 5,519,977 A 5/1996 Callahan et al.
- 5,546,716 A * 8/1996 Broxterman et al. 52/220.1
- D426,003 S * 5/2000 Neuhofer, Jr. D25/199
- 6,170,218 B1 * 1/2001 Shahnazarian 52/713
- 6,286,285 B1 * 9/2001 Martell 52/712

* cited by examiner

Primary Examiner—Doris V. Coles

Assistant Examiner—Elizabeth A. Albert

(74) *Attorney, Agent, or Firm*—Stephen R. Greiner

(57) **CLAIM**

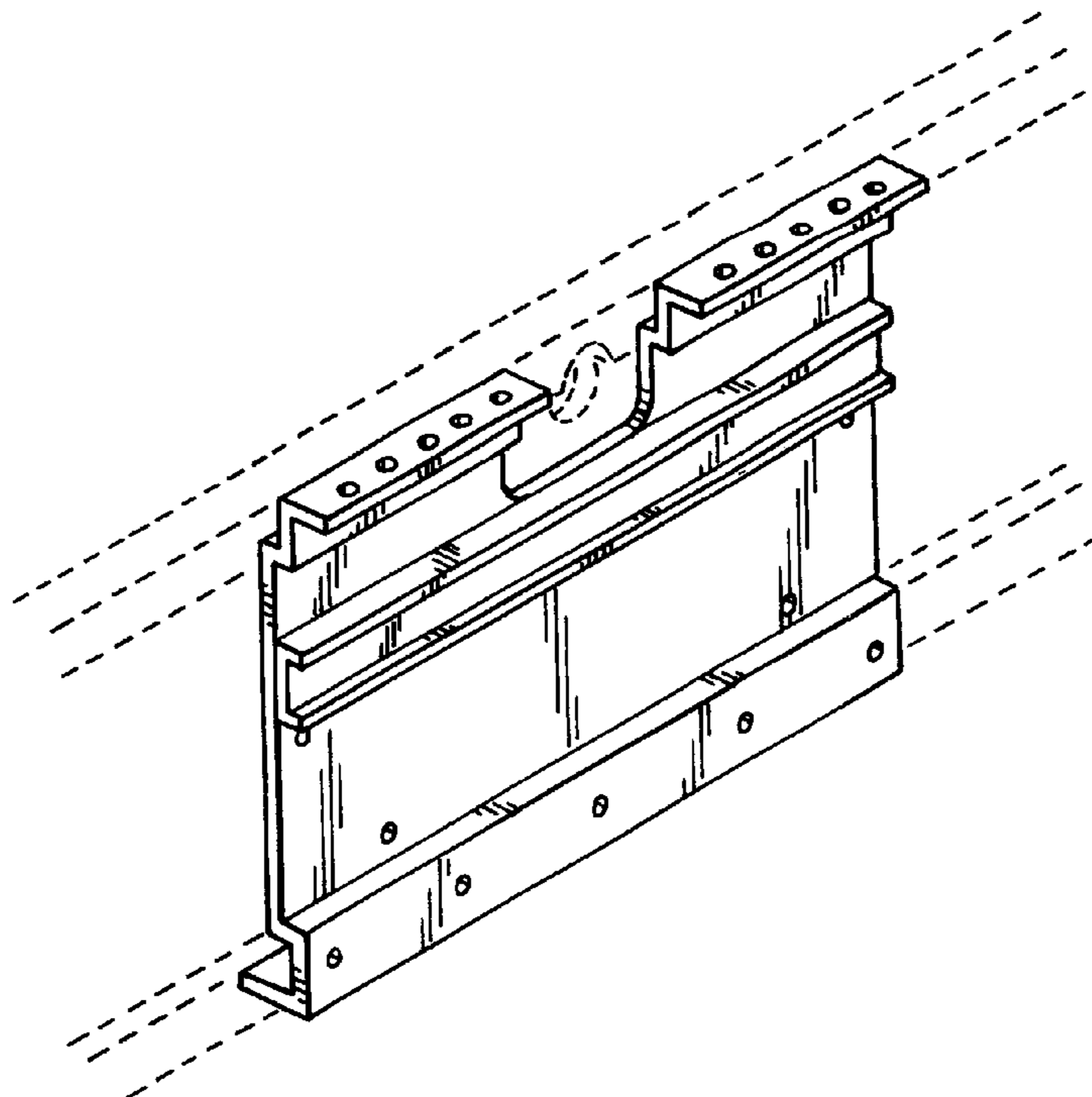
The ornamental design for a joist reinforcing bracket, as shown and described.

DESCRIPTION

FIG. 1 is a perspective view of a joist reinforcing bracket showing our new design;
 FIG. 2 is a left side elevational view with the right side being a mirror image thereof;
 FIG. 3 is a front elevational view thereof;
 FIG. 4 is a rear elevational view thereof;
 FIG. 5 is a top view thereof; and,
 FIG. 6 is a bottom view thereof.

The broken line showing of a joist in FIGS. 1–6 is for illustrative purposes only and forms no part of the claimed design.

1 Claim, 1 Drawing Sheet



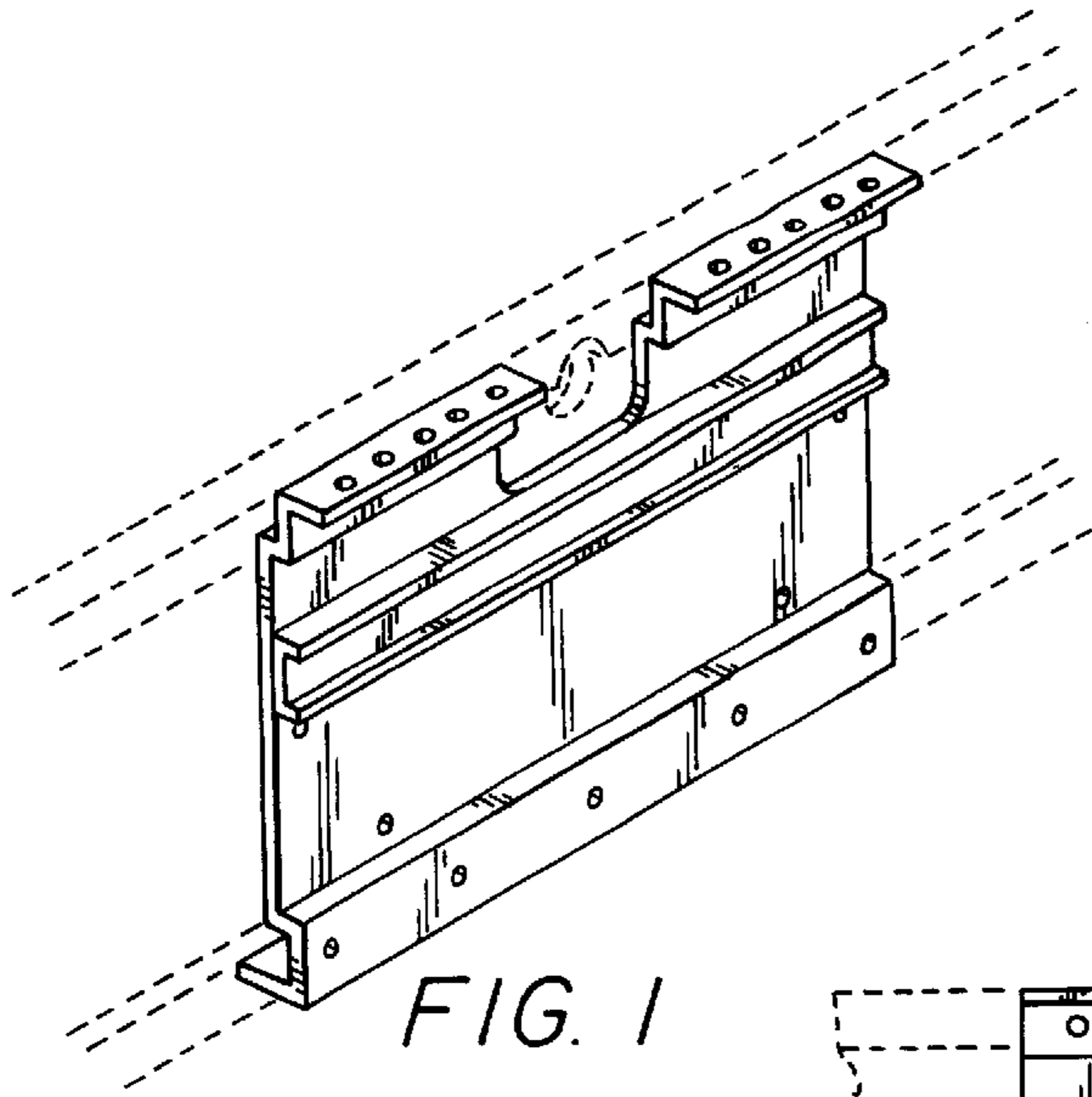


FIG. 2

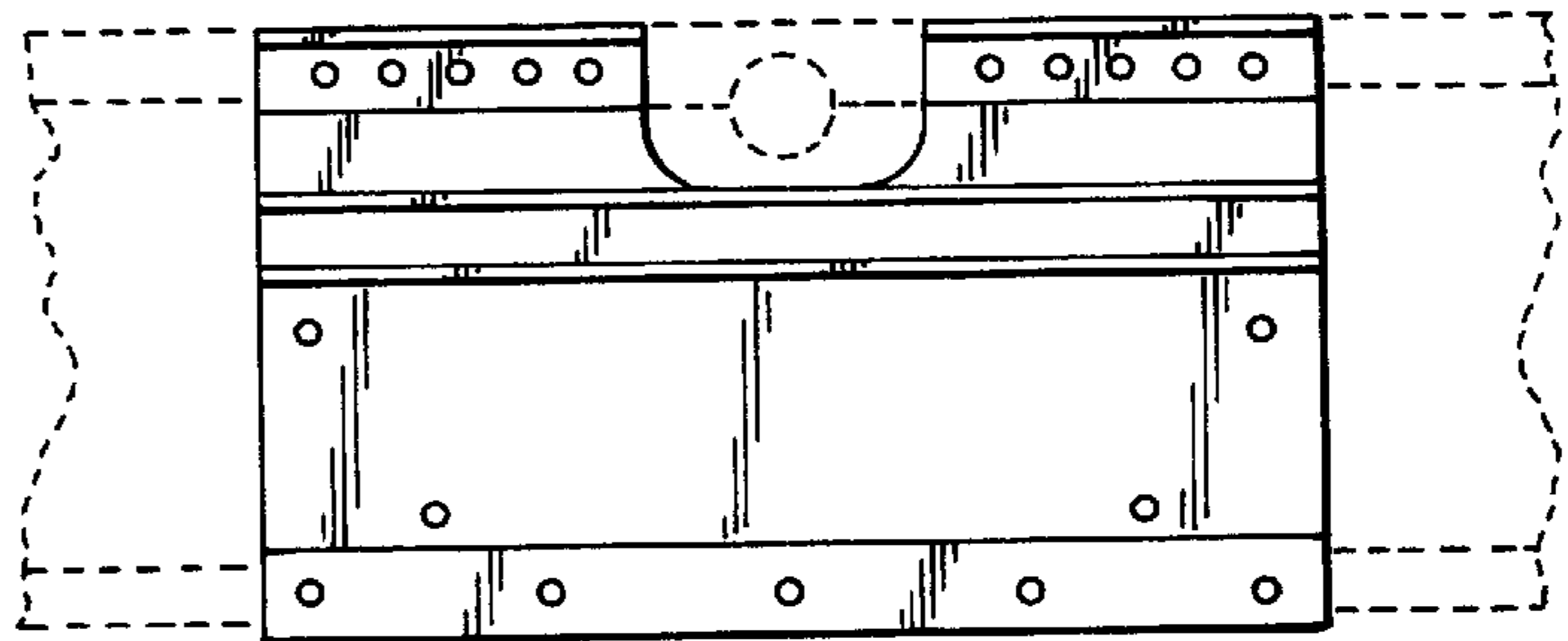


FIG. 3

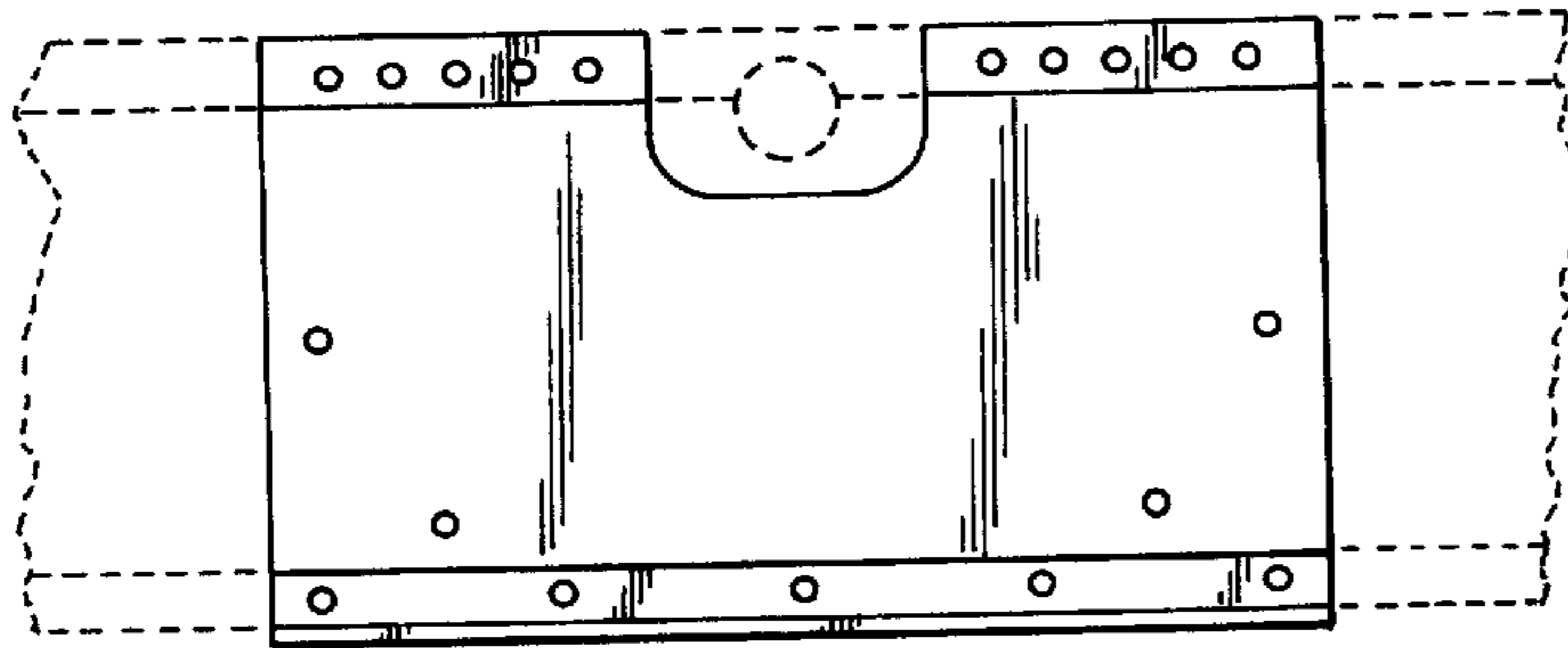


FIG. 4

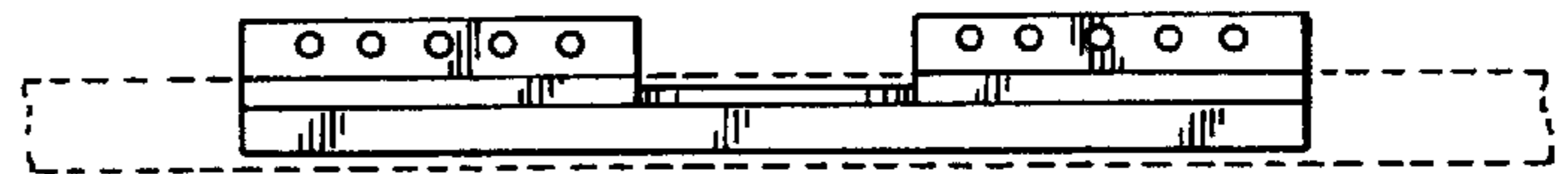


FIG. 5

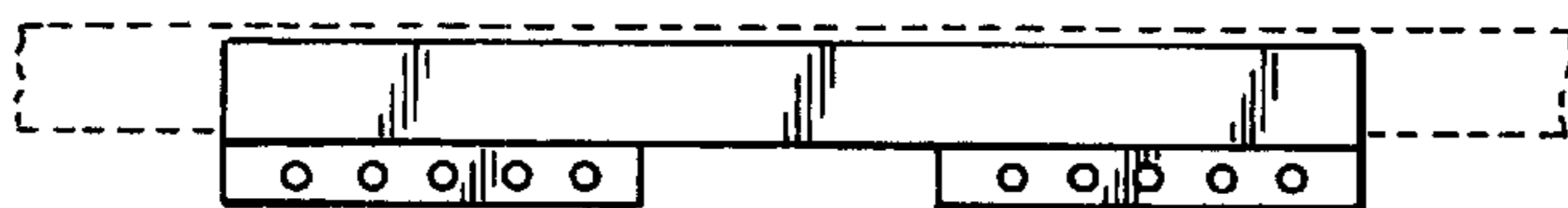


FIG. 6