



US00D472789S

(12) **United States Design Patent**
Ling

(10) **Patent No.:** **US D472,789 S**

(45) **Date of Patent:** **** Apr. 8, 2003**

(54) **COMPUTER LOCK**

(76) Inventor: **Renny Tse-Haw Ling**, c/o Sinox Co.,
Ltd., P.O. Box 4-50, Chung-Ho City,
Taipei Hsien (TW)

(**) Term: **14 Years**

(21) Appl. No.: **29/166,497**

(22) Filed: **Aug. 29, 2002**

(51) **LOC (7) Cl.** **08-07**

(52) **U.S. Cl.** **D8/331**

(58) **Field of Search** D8/330, 331, 343;
70/14, 57, 57.1, 58, 158, 163, 174; D14/432,
433

(56) **References Cited**

U.S. PATENT DOCUMENTS

4,556,270 A * 12/1985 Schutzle et al. 70/57 X

4,669,281 A * 6/1987 Young 70/57

5,288,241 A * 2/1994 Davidge et al. 70/57 X

* cited by examiner

Primary Examiner—Brian N. Vinson

(74) *Attorney, Agent, or Firm*—Bacon & Thomas, PLLC

(57) **CLAIM**

The ornamental design for “computer lock”, as shown and described.

DESCRIPTION

FIG. 1 is a perspective view of “computer lock” showing our new design thereof;

FIG. 2 is a right side elevational view;

FIG. 3 is a top plan view thereof;

FIG. 4 is a front side elevational view;

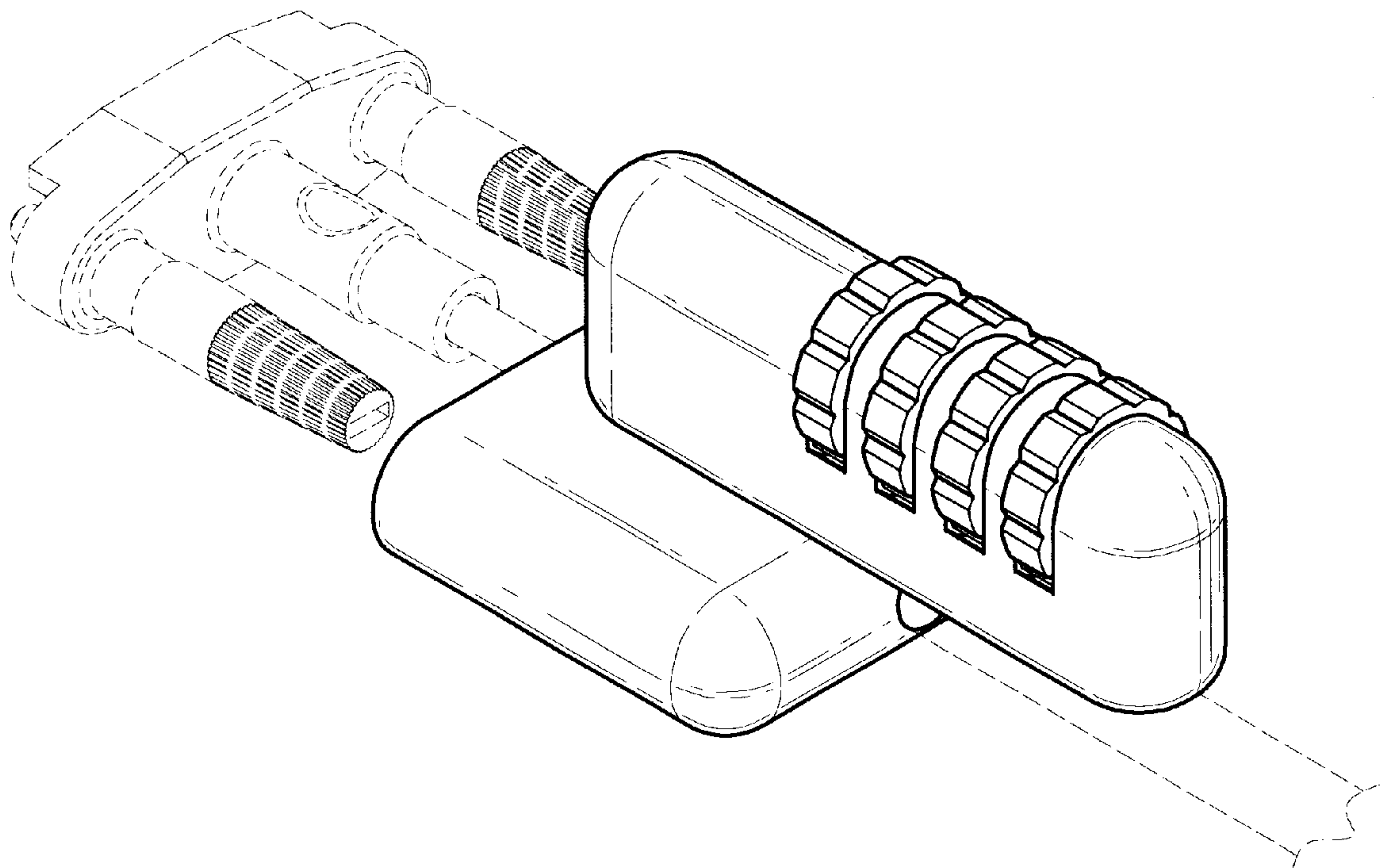
FIG. 5 is a bottom plan view thereof;

FIG. 6 is a left side elevational view;

FIG. 7 is a rear side elevational view; and,

FIG. 8 is an additional perspective view thereof, with the broken line disclosure of a portion of a cable being for illustrative purposes only and forming no part of the claimed design.

1 Claim, 4 Drawing Sheets



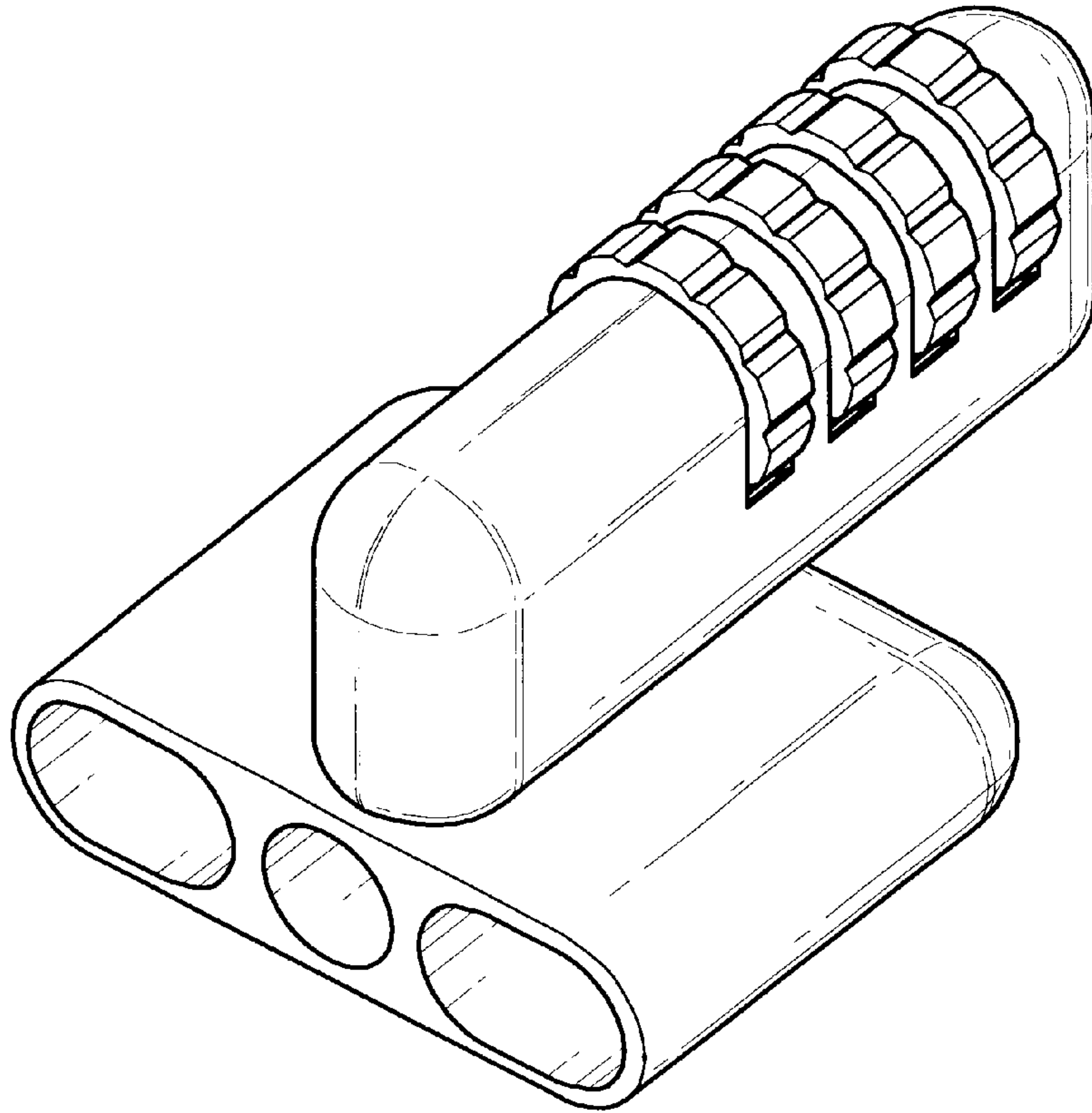


Fig. 1

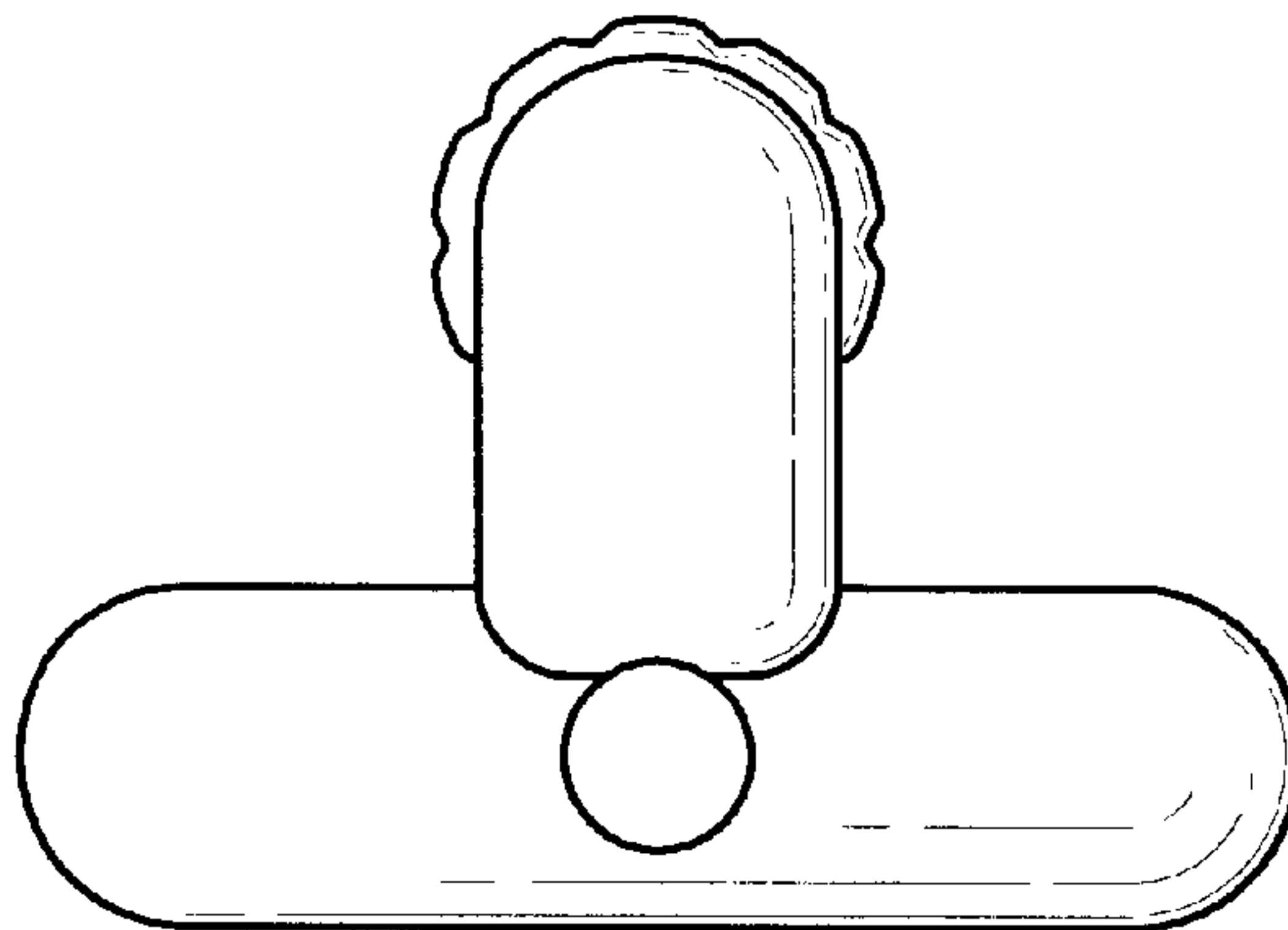


Fig. 2

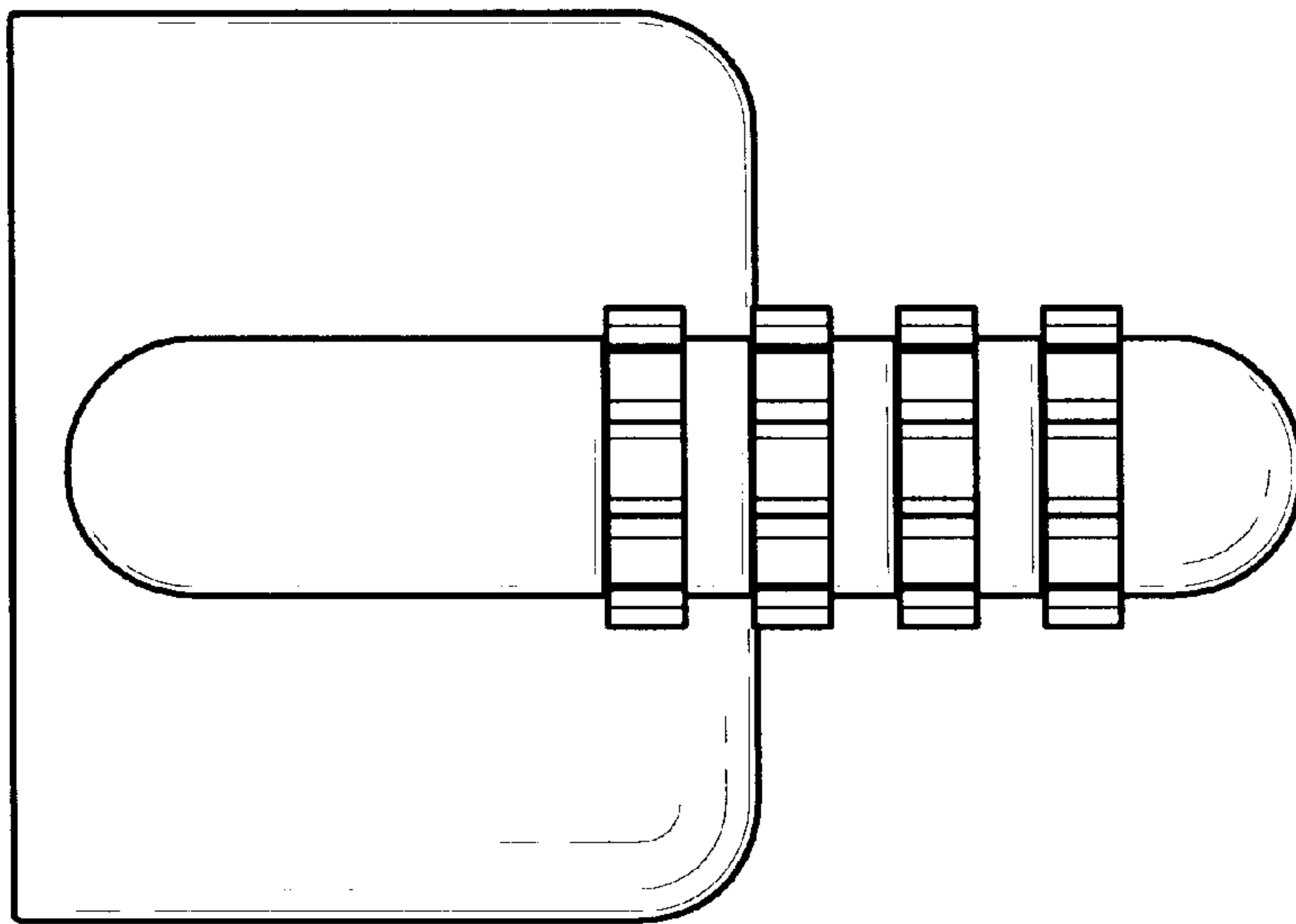


Fig. 3

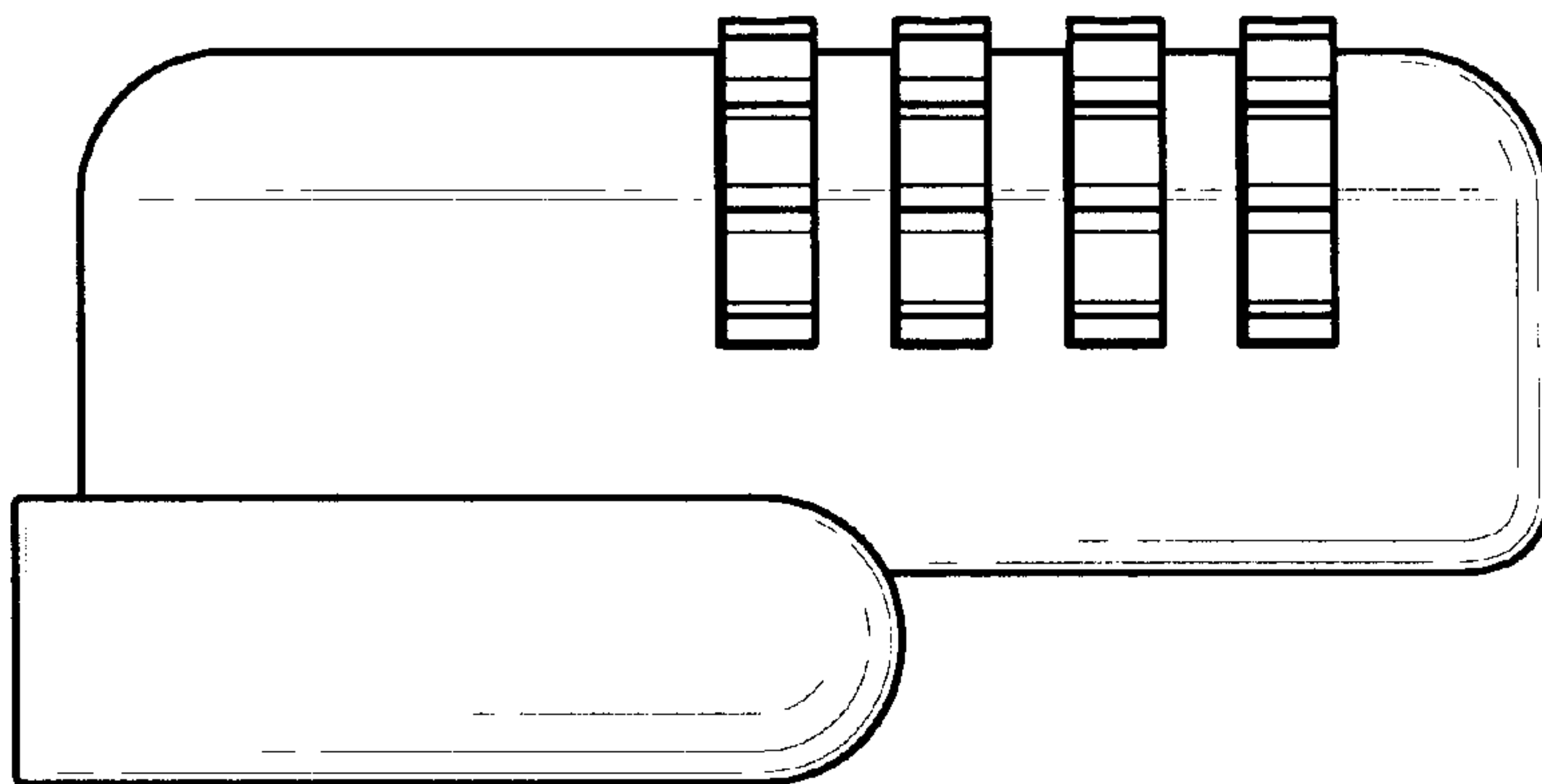


Fig. 4

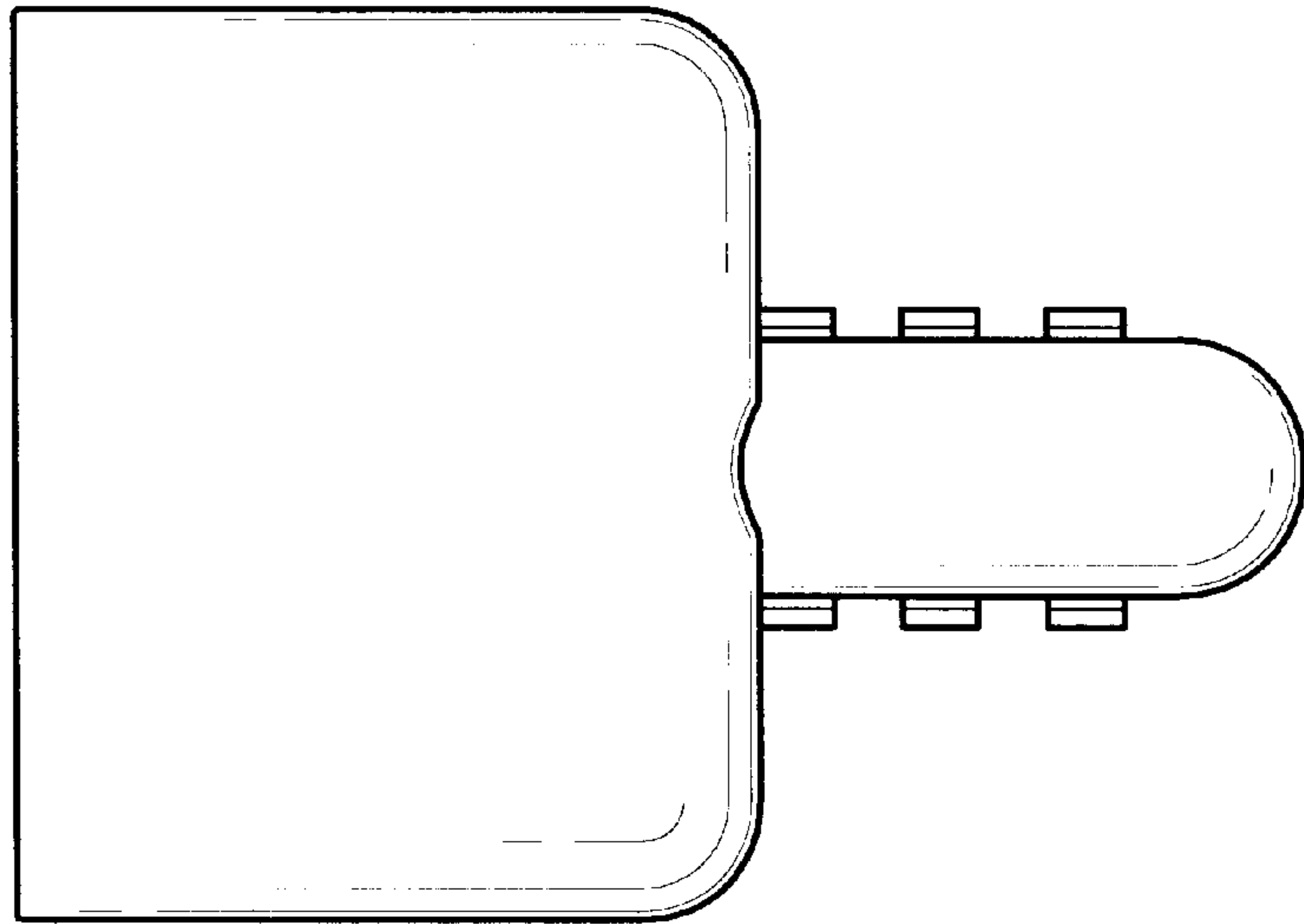


Fig.5

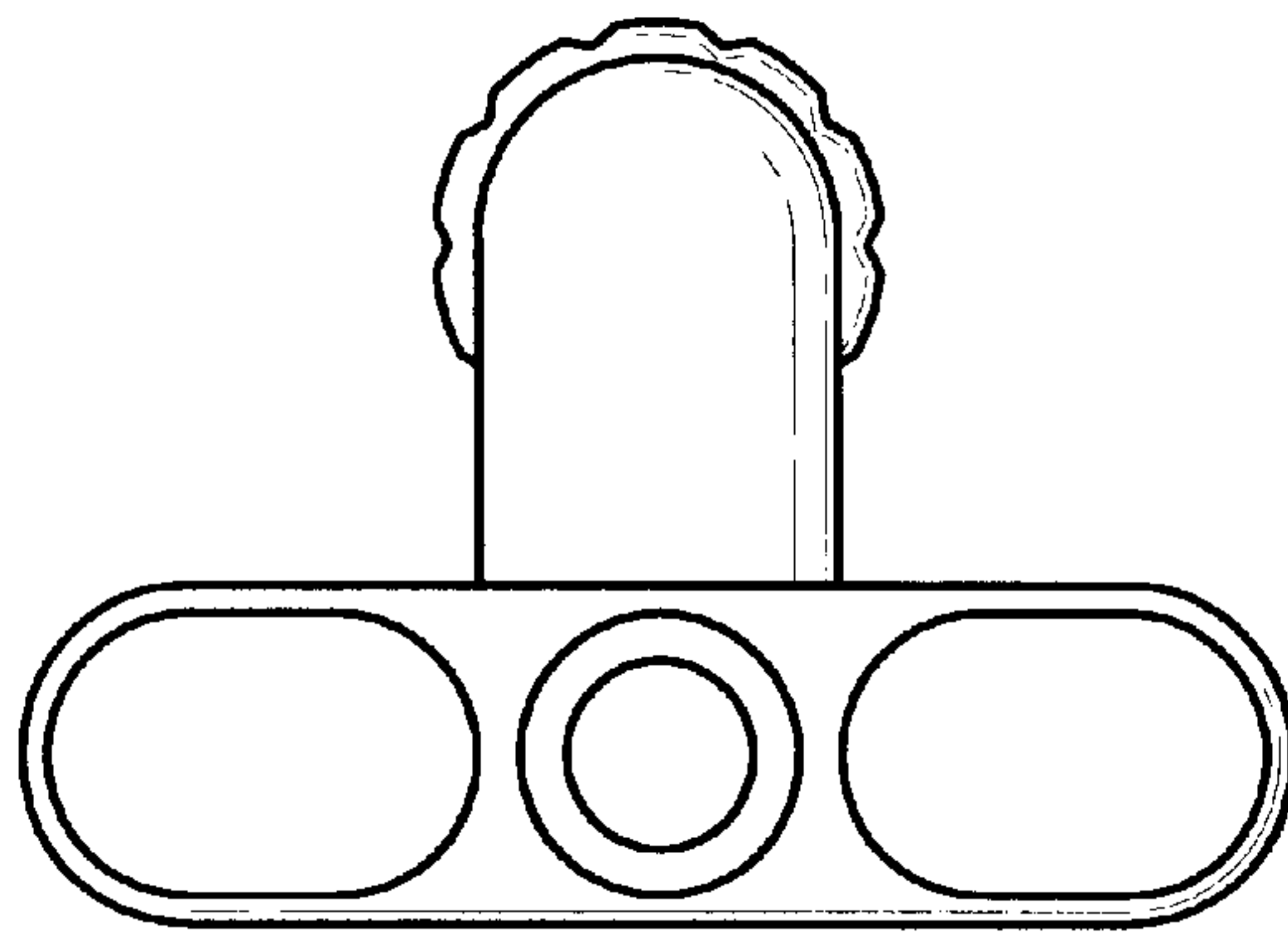


Fig.6

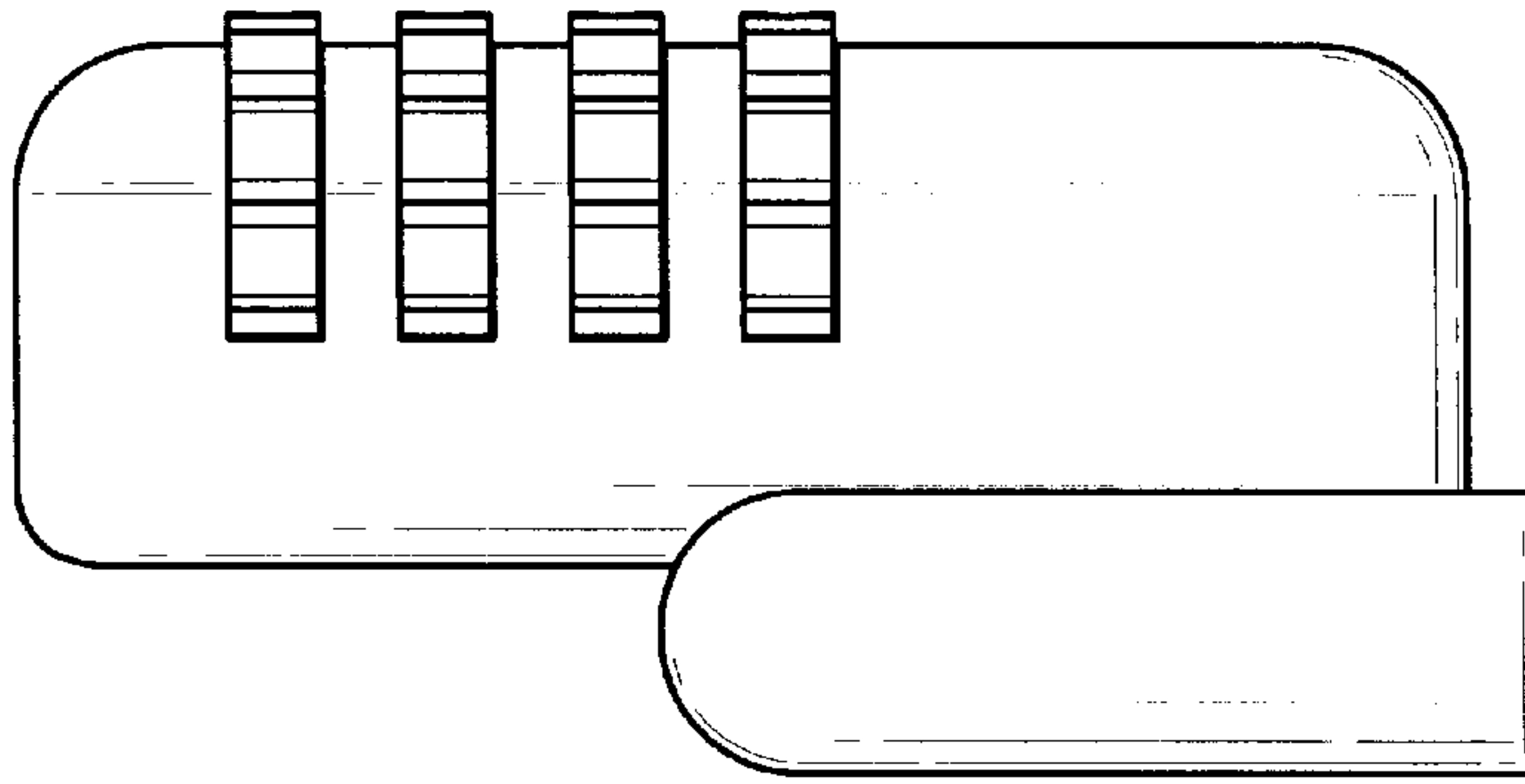


Fig. 7

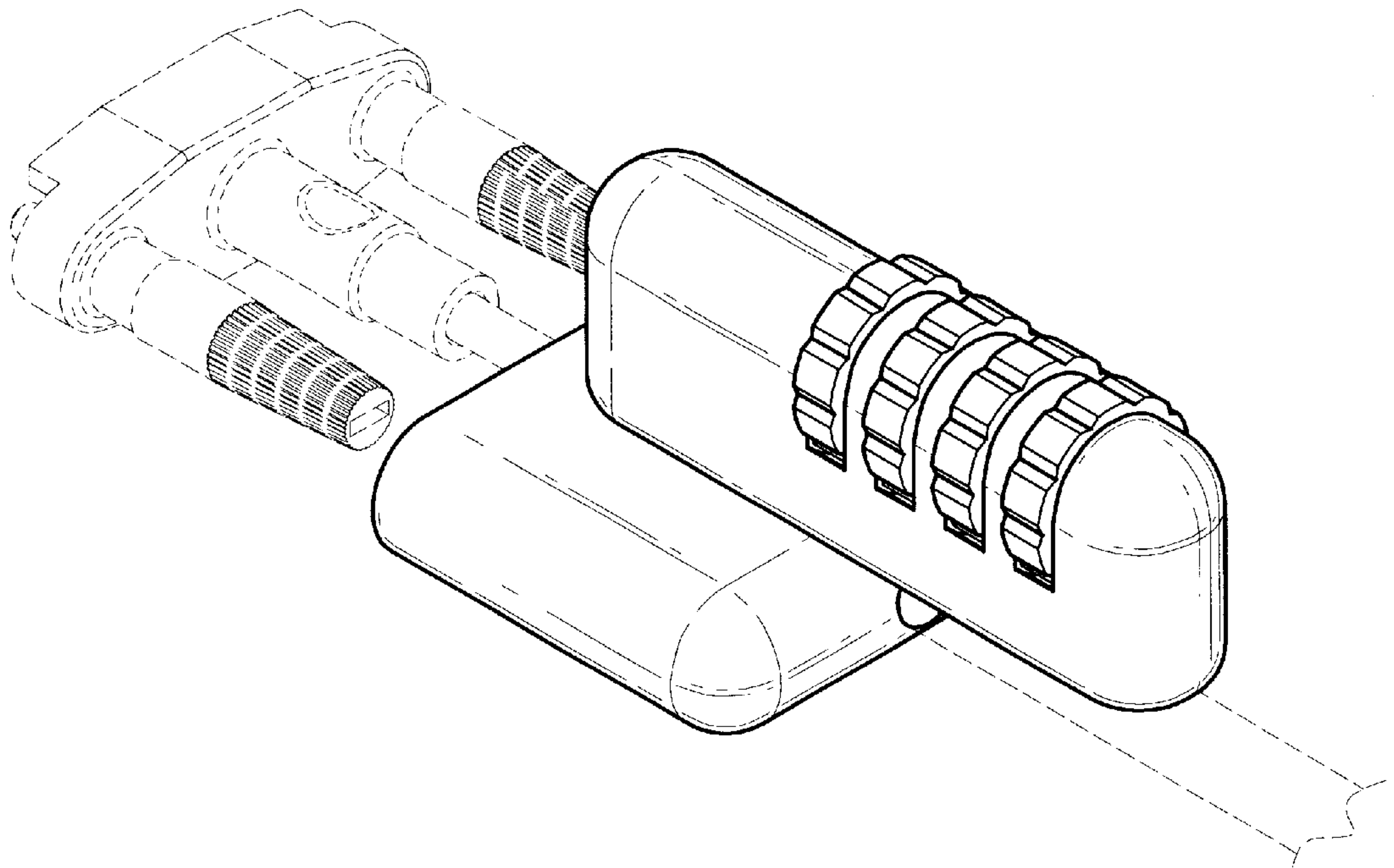


Fig. 8