



US00D472787S

(12) **United States Design Patent**
Kyte

(10) **Patent No.:** **US D472,787 S**

(45) **Date of Patent:** **** Apr. 8, 2003**

(54) **HANDLE**

(75) Inventor: **William J. Kyte**, Kansas City, MO
(US)

(73) Assignee: **Color Caulk, Inc.**, Kansas City, MO
(US)

(**) Term: **14 Years**

(21) Appl. No.: **29/158,666**

(22) Filed: **Apr. 1, 2002**

(51) **LOC (7) Cl.** **08-06**

(52) **U.S. Cl.** **D8/107; D8/10; D8/80**

(58) **Field of Search** D8/107, 10, 80,
D8/14, 83; 16/110.1, 111.1, 112.1, 436,
421, 422; 172/371, 372, 381; 81/20-25,
177.2; 30/280; 34/27; 294/55, 49, 57-58,
54.5, 53.5; 15/235.4

(56) **References Cited**

U.S. PATENT DOCUMENTS

166,084 A * 7/1875 Edgar et al. 16/110.1

2,076,836 A * 4/1937 Goldblatt 16/110.1
6,018,841 A * 2/2000 Kelsay et al. 15/235.4
6,176,156 B1 * 1/2001 Coonrad 81/20

* cited by examiner

Primary Examiner—Pamela Burgess

(74) *Attorney, Agent, or Firm*—Duane Morris LLP

(57) **CLAIM**

The ornamental design for a handle, as shown and described.

DESCRIPTION

FIG. 1 is a perspective view of the handle according to the invention;

FIG. 2 is a left side view of the handle;

FIG. 3 is a right side view of the handle;

FIG. 4 is a top view of the handle;

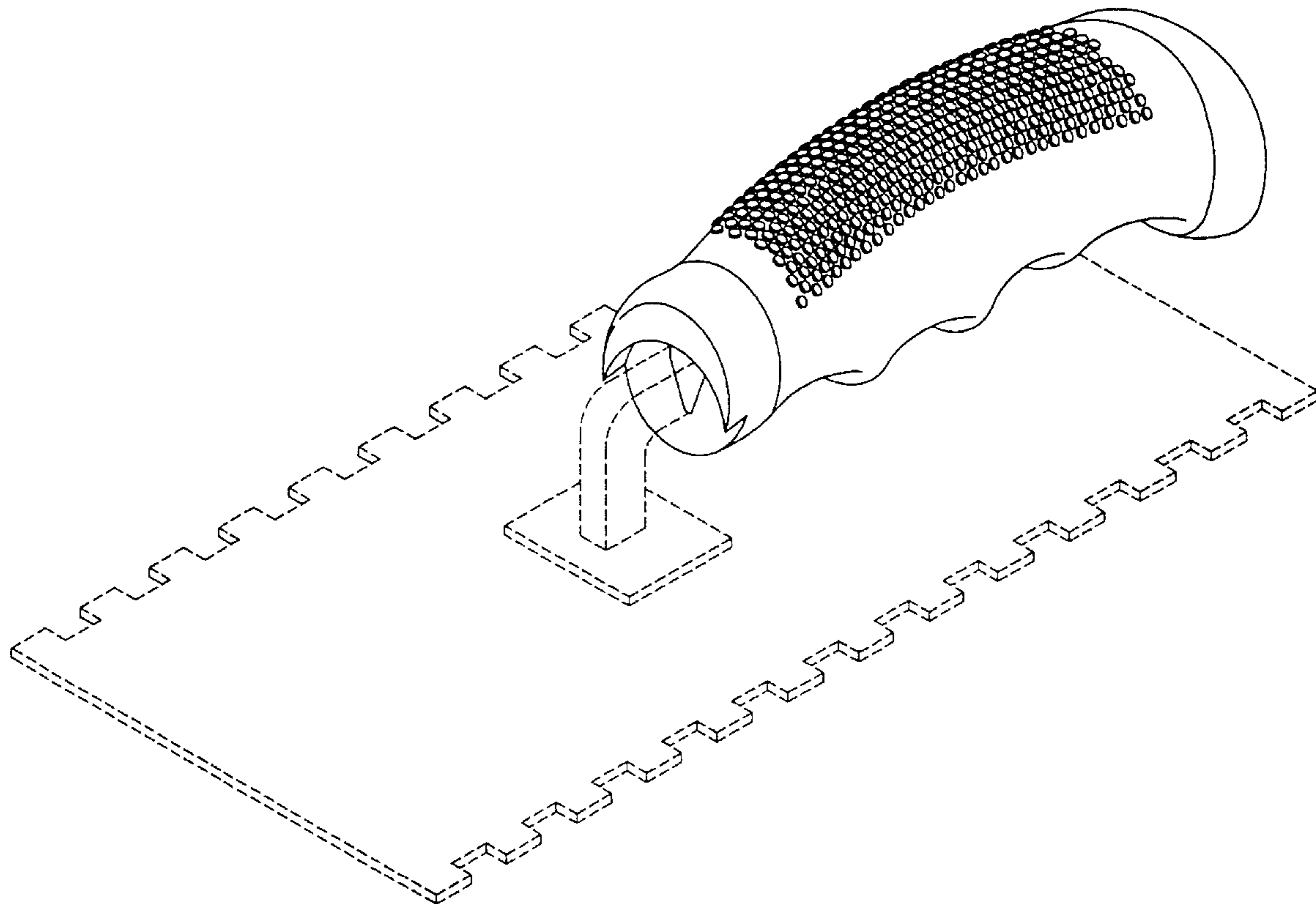
FIG. 5 is a bottom view of the handle;

FIG. 6 is a back view of the handle; and,

FIG. 7 is a front view of the handle.

The broken line showing of structure is for illustrative purposes only and forms no part of the claimed design.

1 Claim, 3 Drawing Sheets



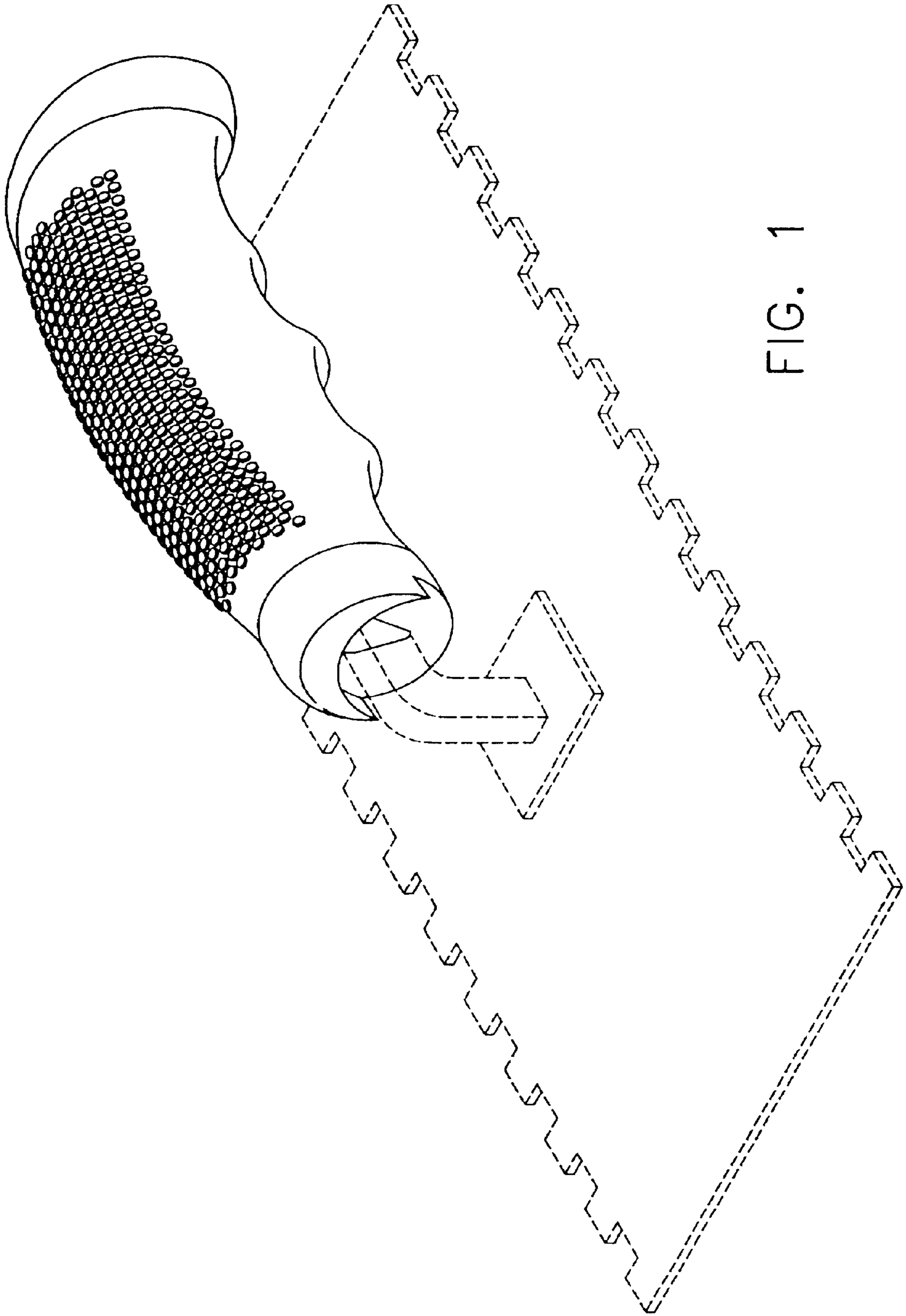


FIG. 1

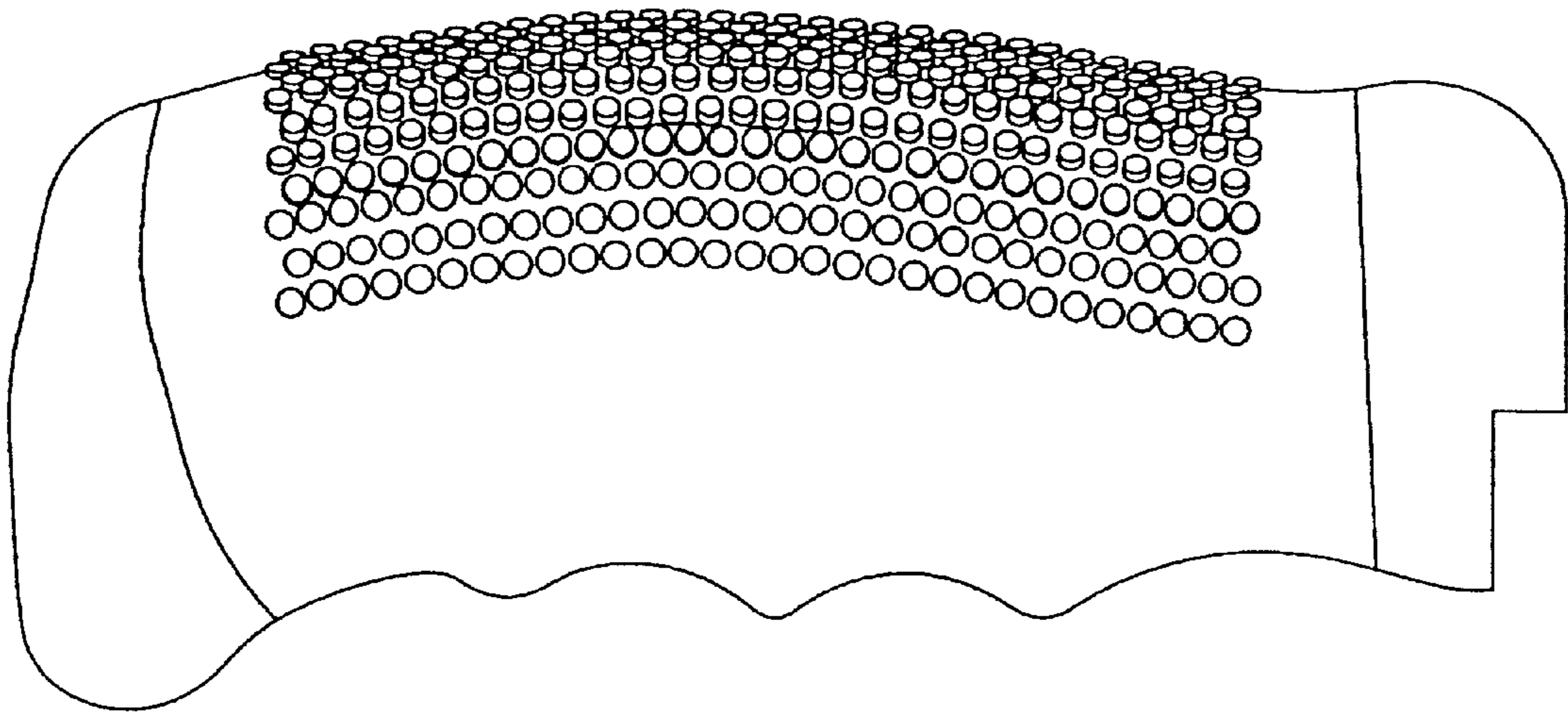


FIG. 2

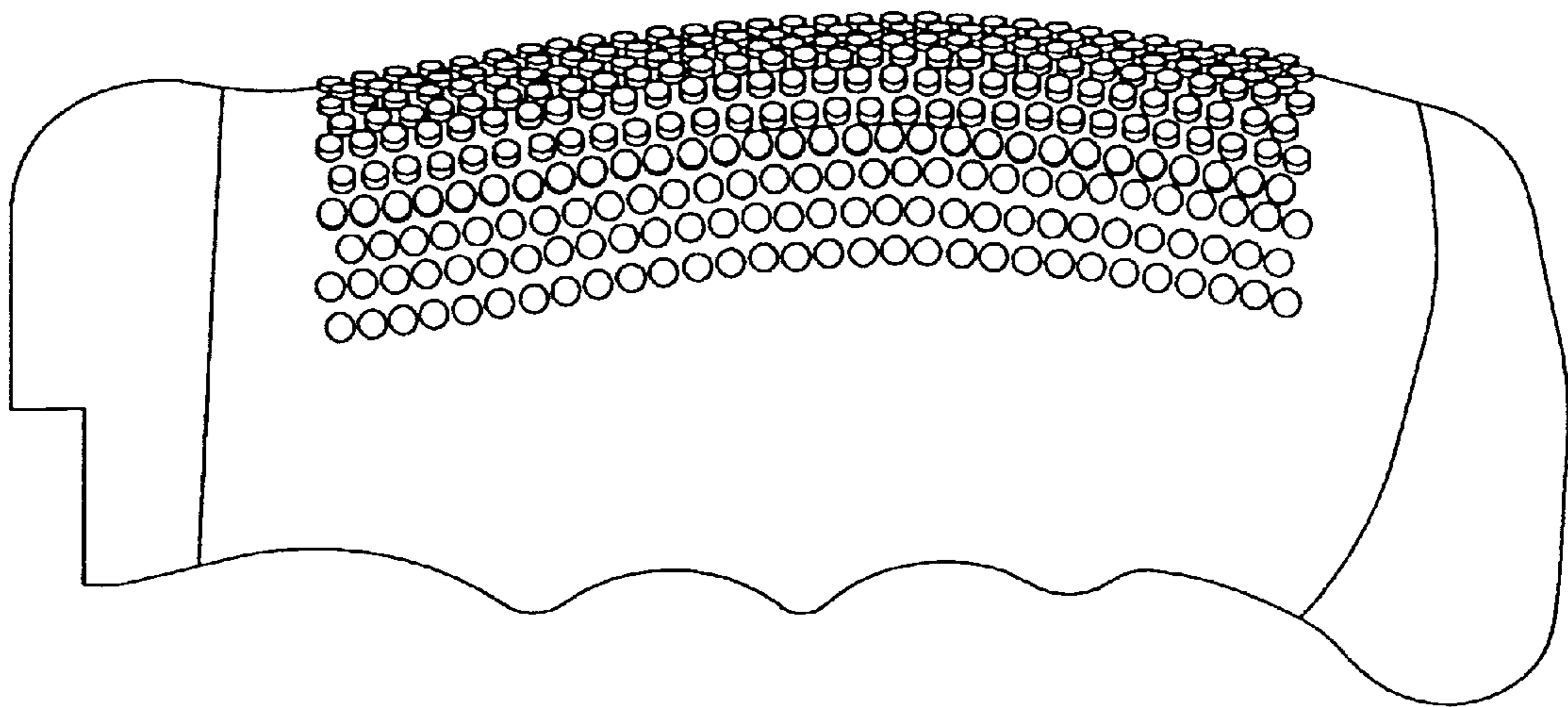


FIG. 3

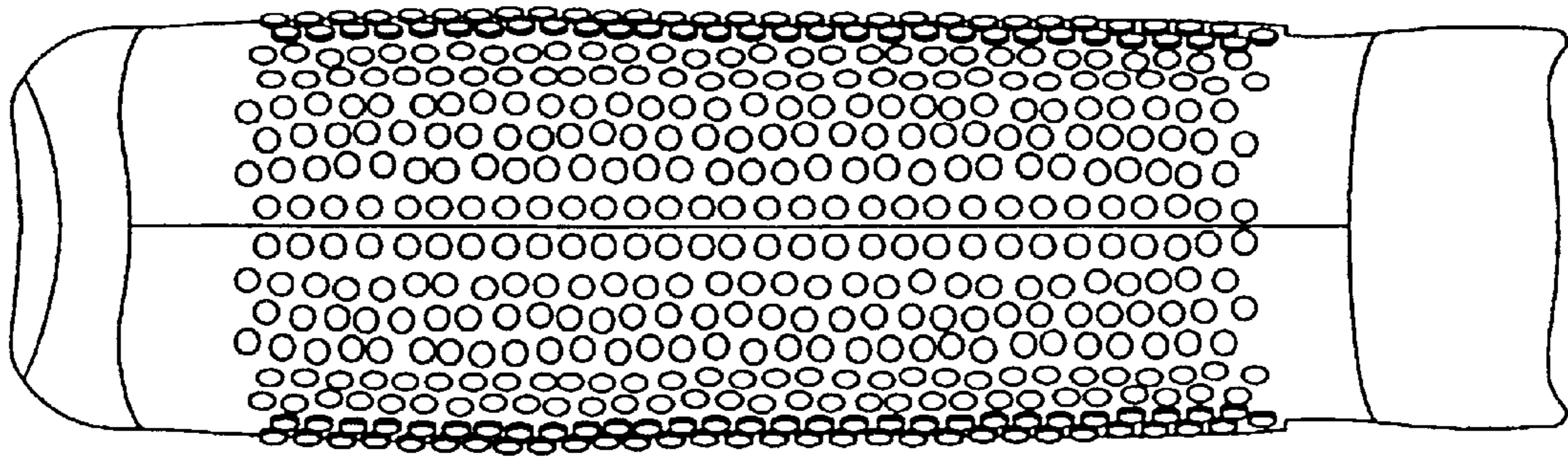


FIG. 4

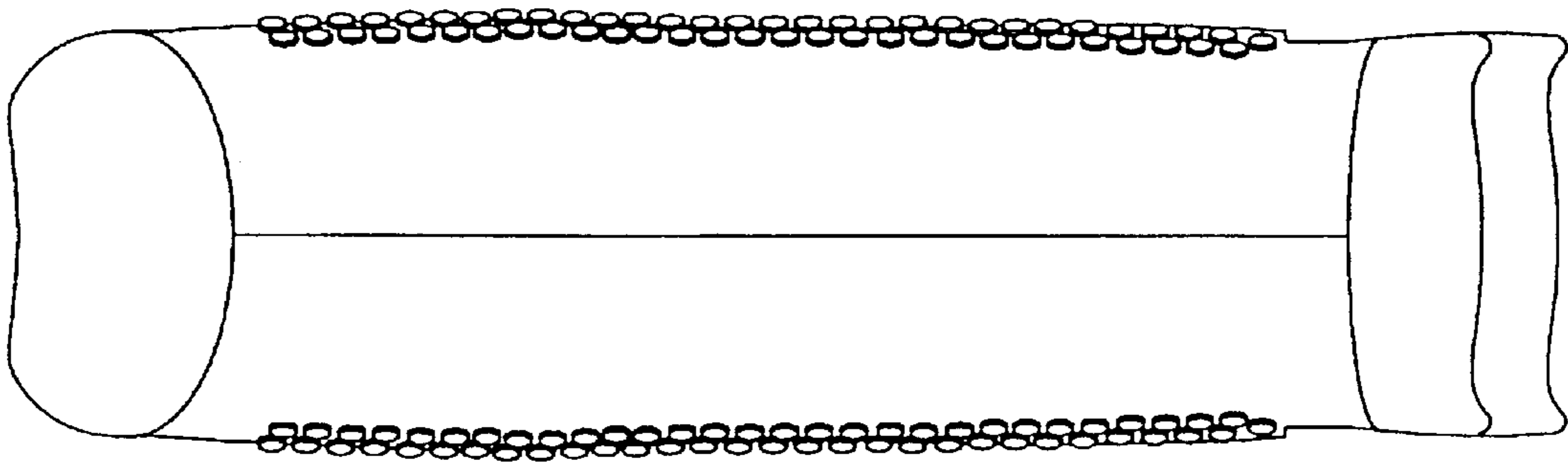


FIG. 5

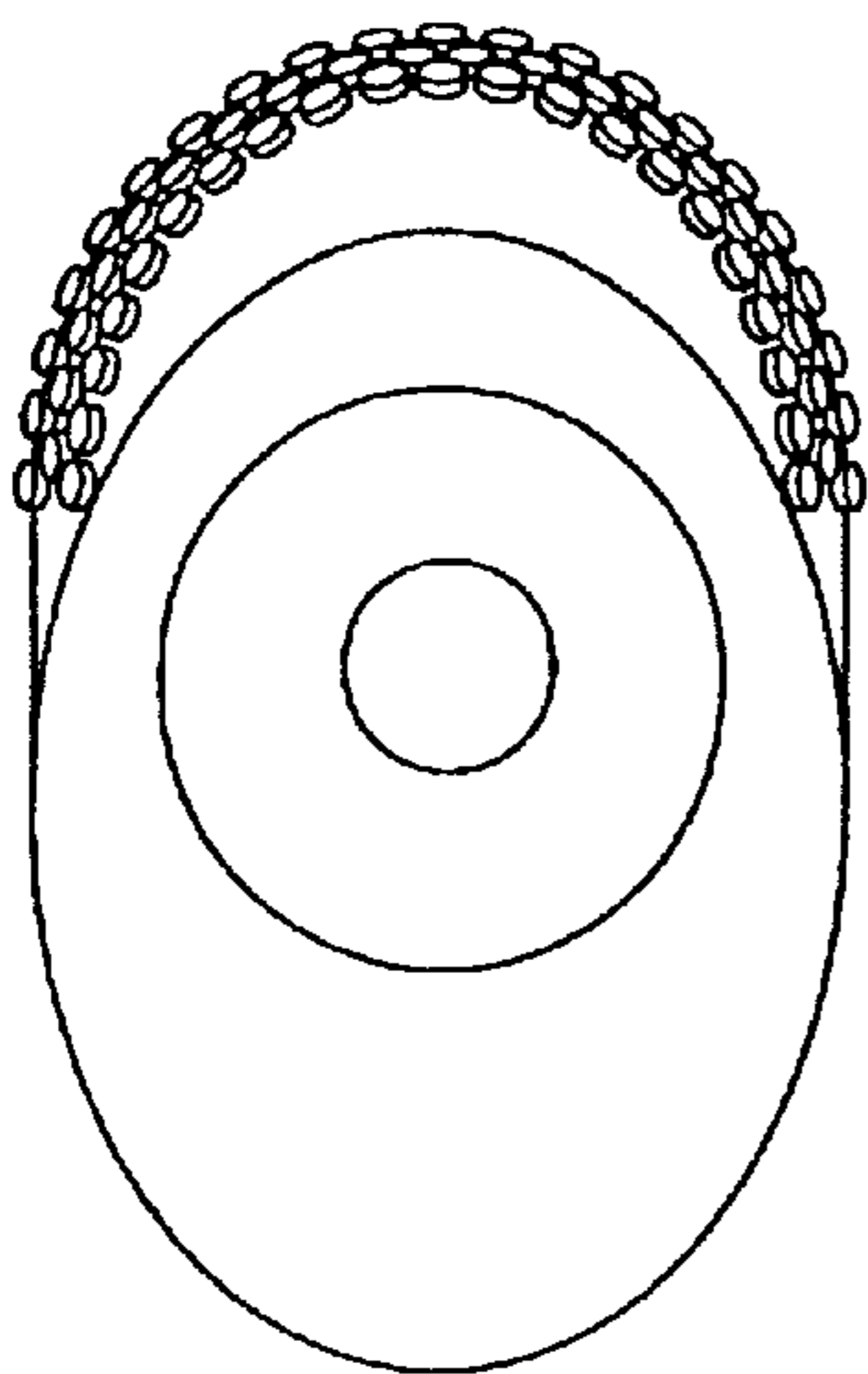


FIG. 6

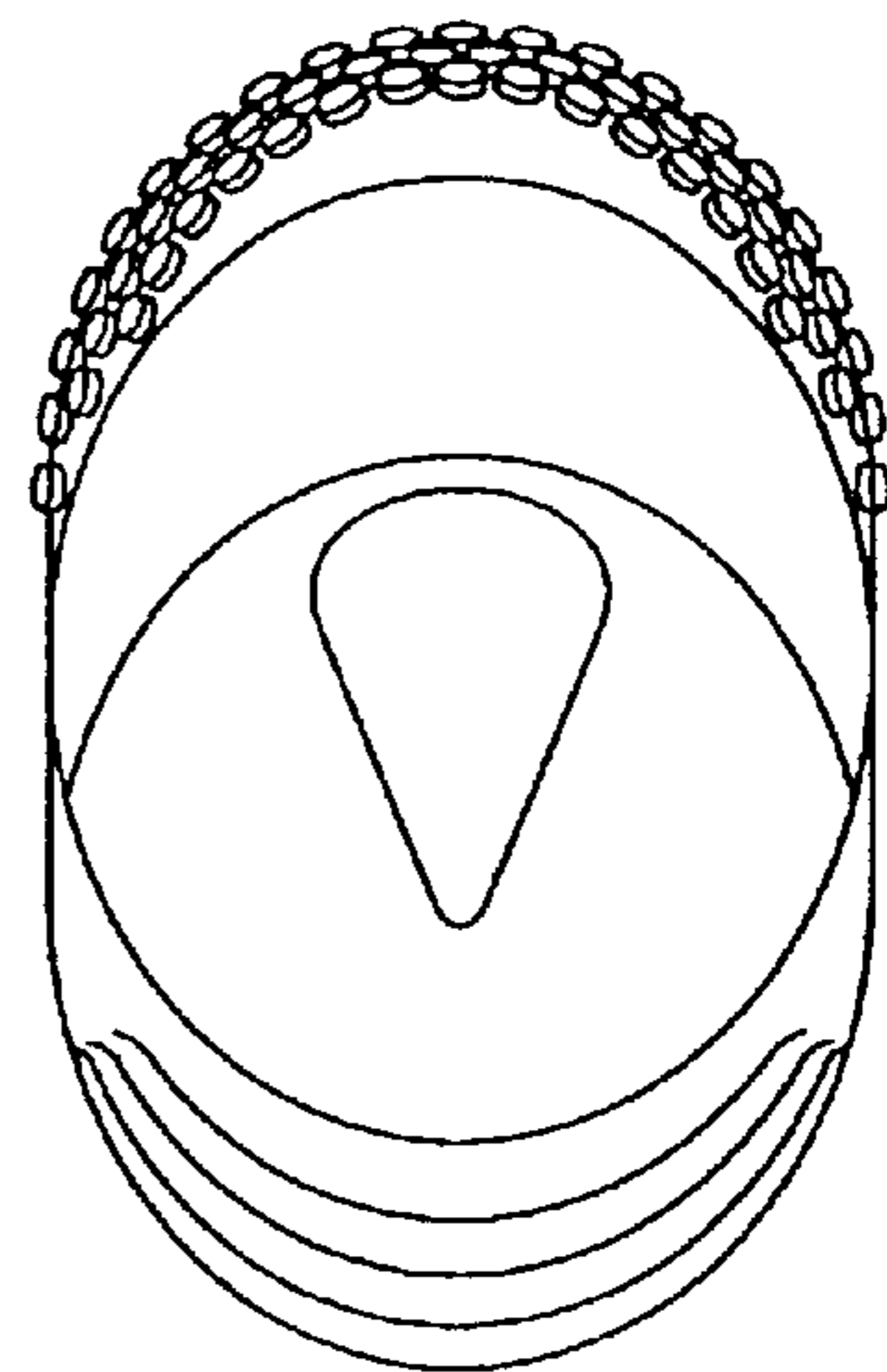


FIG. 7