



US00D472786S

(12) **United States Design Patent**  
**Cech et al.**

(10) **Patent No.:** **US D472,786 S**

(45) **Date of Patent:** **\*\* Apr. 8, 2003**

(54) **HANDLE FOR RETRACTABLE SAW**

(75) Inventors: **Michael J. Cech**, Madison, WI (US);  
**Carl A. Hoffman**, Prairie du Sac, WI (US);  
**Paul Johnson**, Cross Plains, WI (US)

(73) Assignee: **Aquapore Moisture Systems**, Phoenix, AZ (US)

(\*\*) Term: **14 Years**

(21) Appl. No.: **29/154,962**

(22) Filed: **Jul. 23, 2001**

(51) **LOC (7) Cl.** ..... **08-03**

(52) **U.S. Cl.** ..... **D8/97; D8/99; D8/107**

(58) **Field of Search** ..... D8/95, 96, 97,  
D8/98, 99, 107; 30/125, 162, 515, 517,  
161, 329

(56) **References Cited**

**U.S. PATENT DOCUMENTS**

D299,413 S \* 1/1989 DeCarolis ..... D8/97  
5,495,670 A \* 3/1996 Quinn ..... 30/162  
D374,597 S \* 10/1996 Birkholz et al. .... D8/99

5,584,123 A \* 12/1996 Chi ..... 30/125  
D393,514 S \* 4/1998 Hadley et al. .... D34/27  
5,926,962 A \* 7/1999 Chen ..... 30/519  
D414,670 S \* 10/1999 Linden ..... D8/99

\* cited by examiner

*Primary Examiner*—Philip S. Hyder

(74) *Attorney, Agent, or Firm*—Foley & Lardner

(57) **CLAIM**

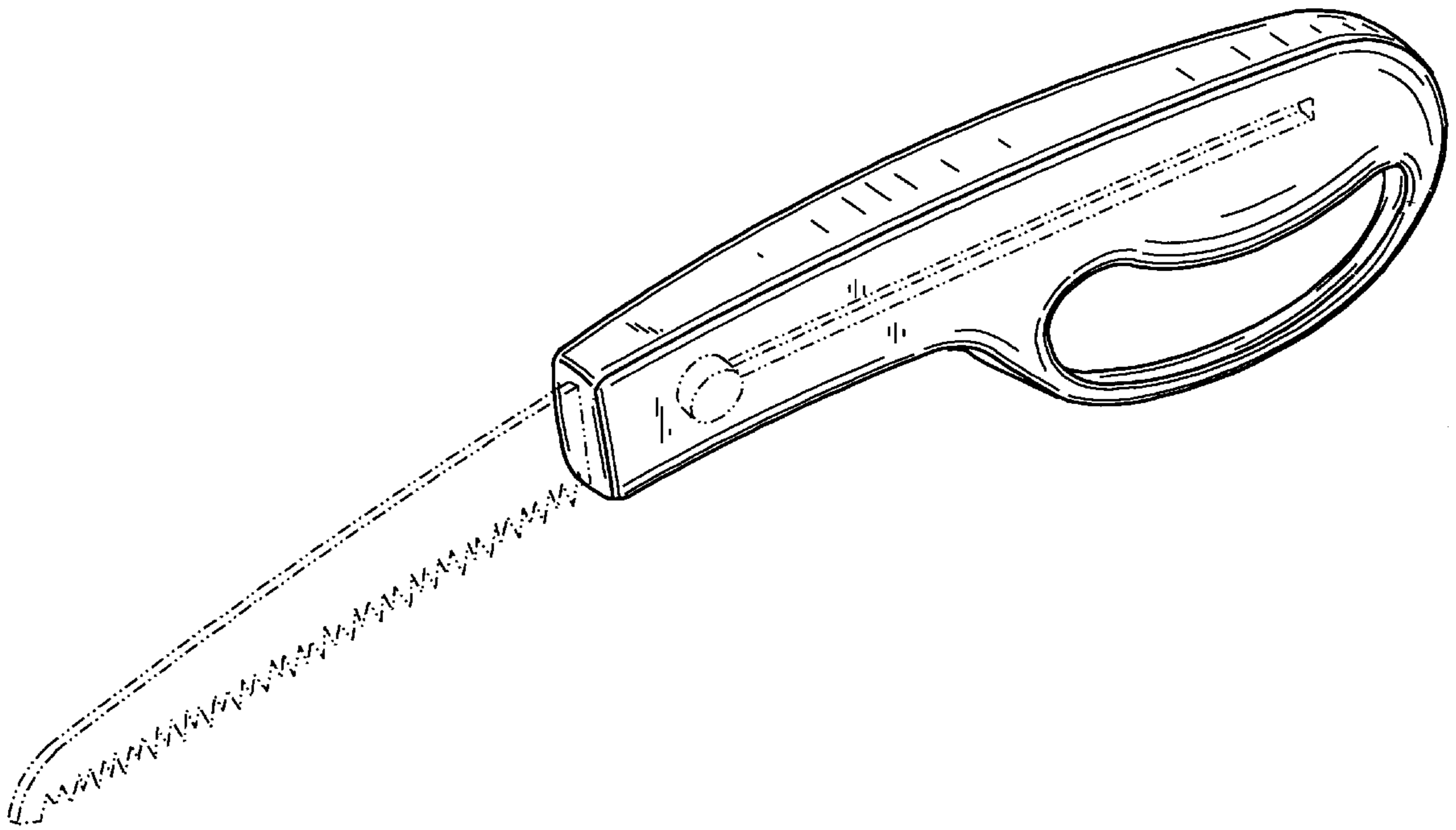
The ornamental design for a handle for retractable saw, as shown and described.

**DESCRIPTION**

FIG. 1 is a perspective of a handle for retractable saw; FIG. 2 is a right side view of the handle shown in FIG. 1; FIG. 3 is a top view of the handle shown in FIG. 1; FIG. 4 is a left side view of the handle shown in FIG. 1; FIG. 5 is a bottom view of the handle shown in FIG. 1; FIG. 6 is a front view of the handle shown in FIG. 1; and, FIG. 7 is a rear view of the handle shown in FIG. 1.

The broken lines in FIGS. 1–7 showing the saw blade and associated structure for retracting the saw blade into the handle are for illustrative purposes only and form no part of the claimed design.

**1 Claim, 3 Drawing Sheets**



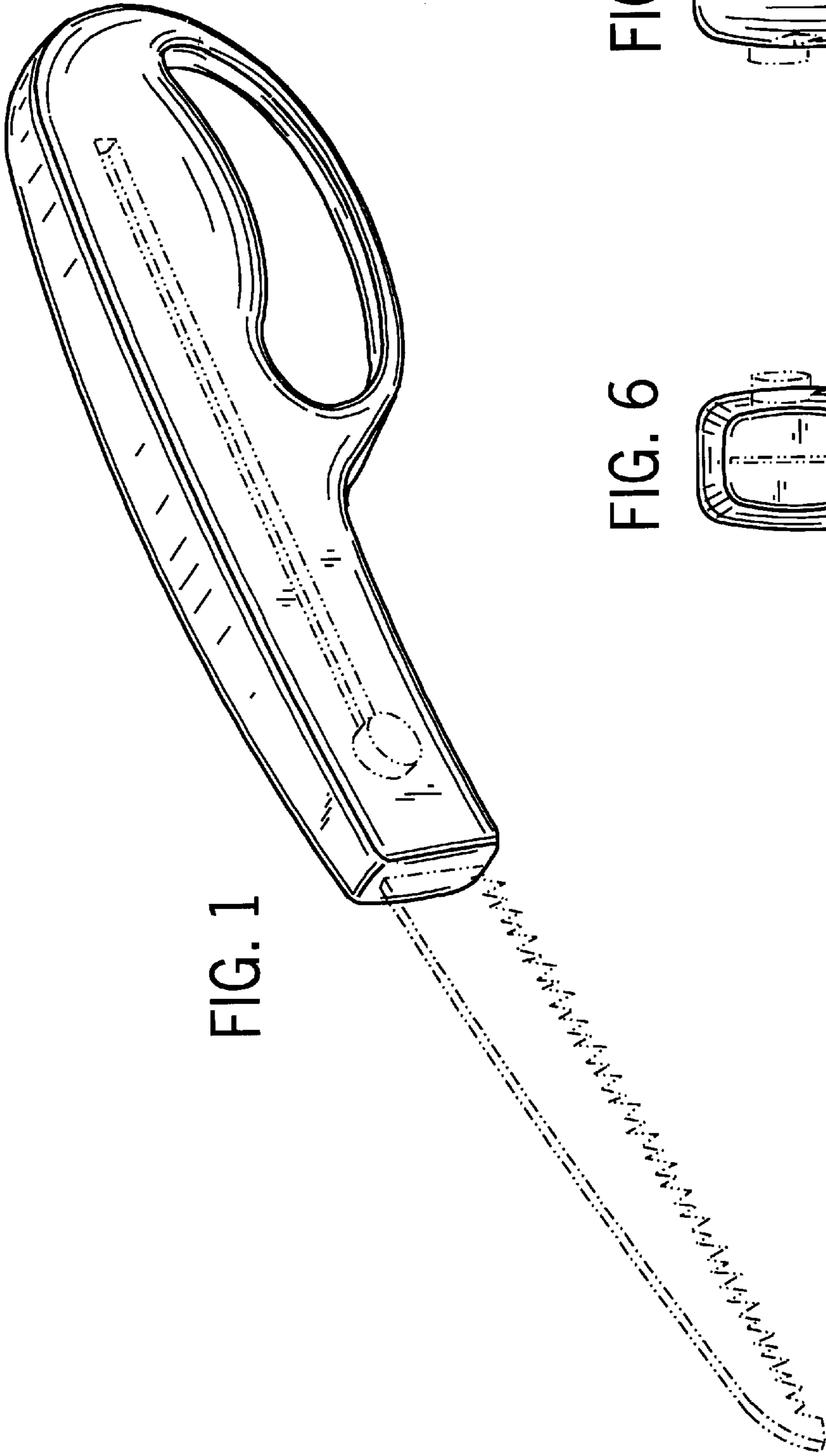


FIG. 1

FIG. 6

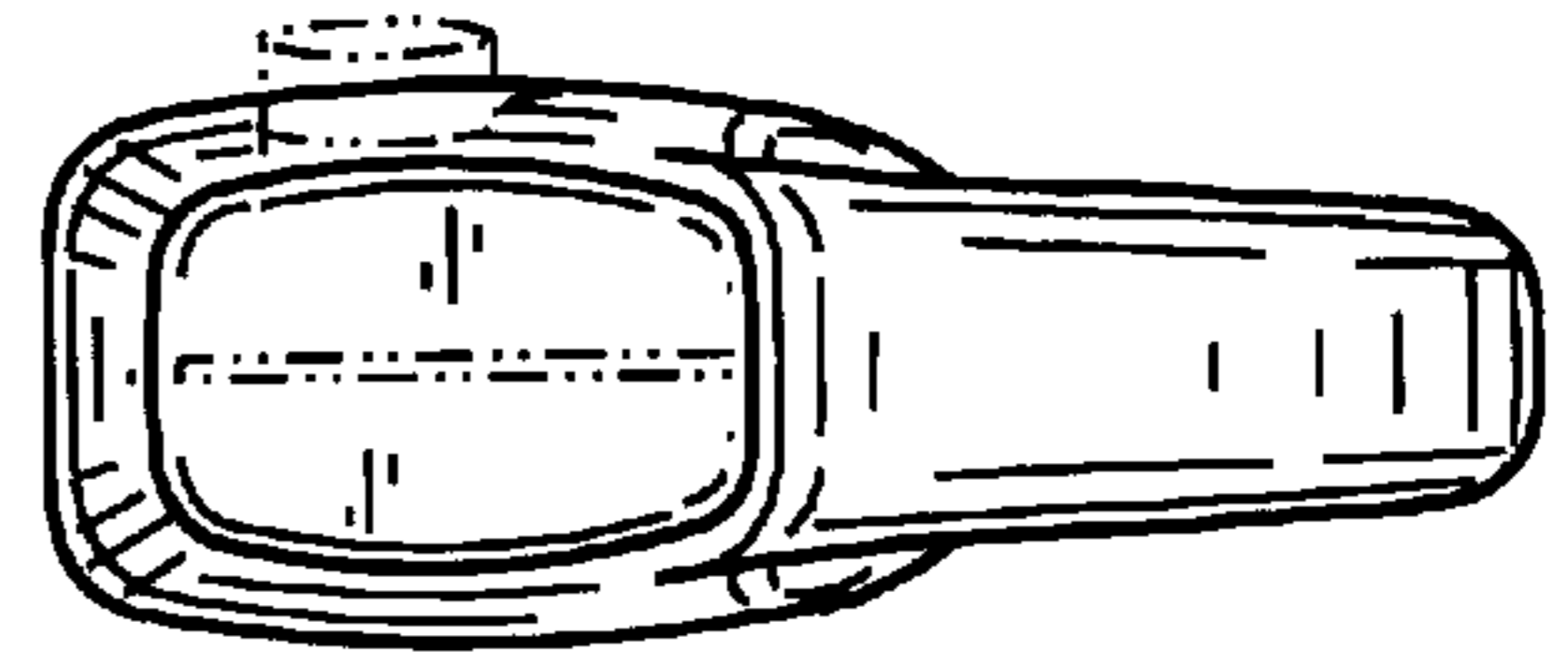
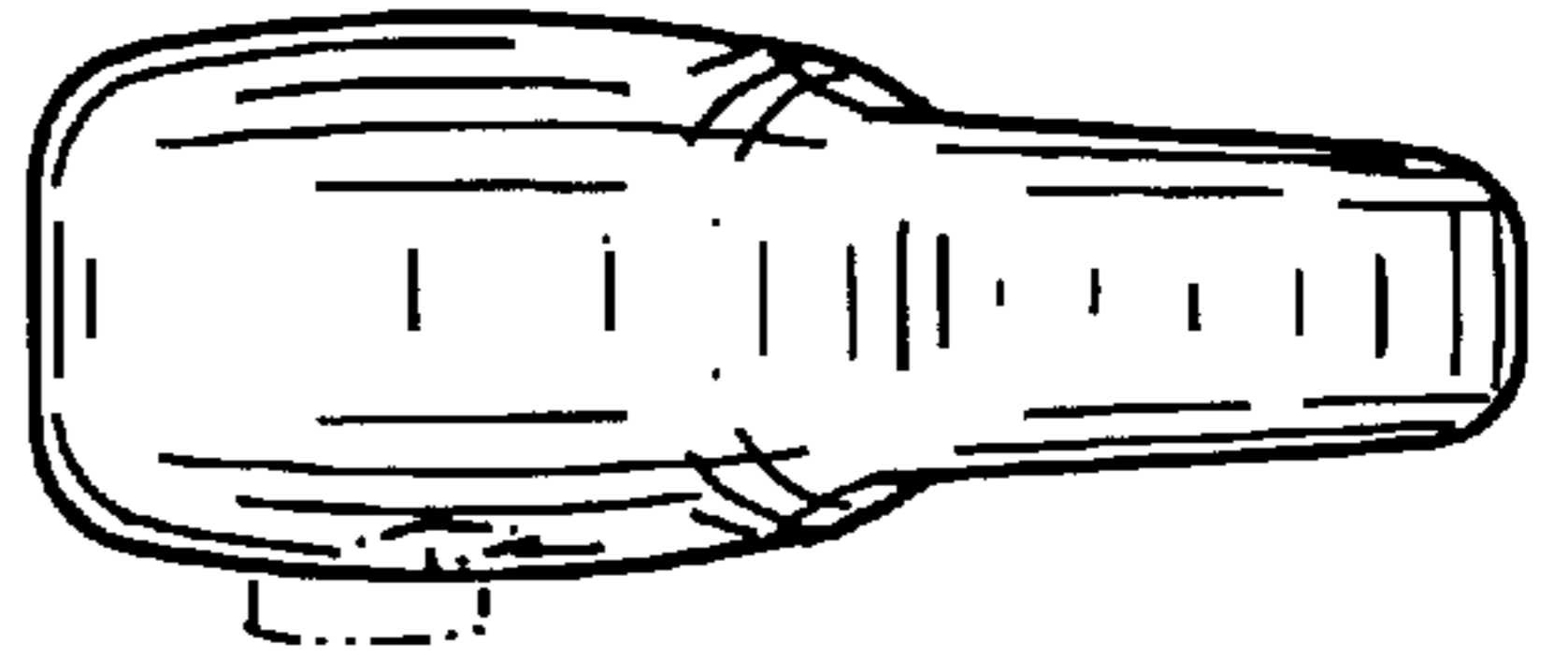


FIG. 7



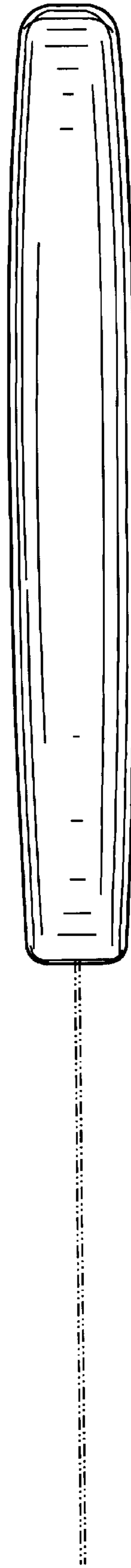
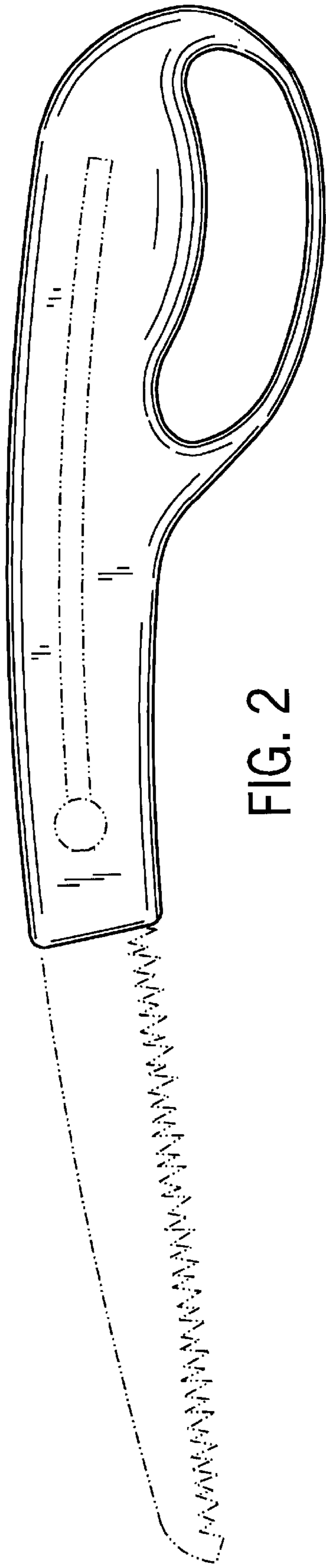


FIG. 4

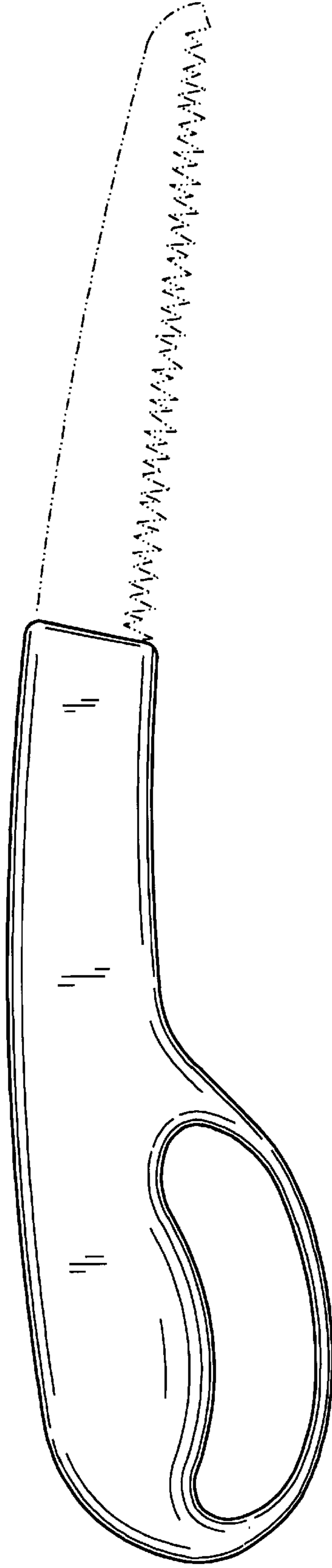


FIG. 5

