



US00D472784S

(12) **United States Design Patent**
Concari

(10) **Patent No.:** **US D472,784 S**

(45) **Date of Patent:** **** Apr. 8, 2003**

(54) **CHUCK**
(75) Inventor: **Gabriel E. Concari**, Eldersburg, MD (US)
(73) Assignee: **Black & Decker Inc.**, Newark, DE (US)
(**) Term: **14 Years**

5,709,392 A 1/1998 Barton et al.
5,829,761 A 11/1998 Rohm
D404,988 S 2/1999 Long
D413,340 S 8/1999 Gaddis
D421,615 S 3/2000 Argo et al.
D423,528 S 4/2000 Sakamaki
D426,442 S 6/2000 Long
D426,840 S 6/2000 Sakamaki
D427,216 S 6/2000 Miles et al.
6,488,287 B2 * 12/2002 Gaddis et al. 279/60
2002/0000698 A1 1/2002 Rohm

(21) Appl. No.: **29/157,607**
(22) Filed: **Mar. 21, 2002**

FOREIGN PATENT DOCUMENTS

(51) **LOC (7) Cl.** **08-05**
(52) **U.S. Cl.** **D8/70; D15/140**
(58) **Field of Search** D8/70, 68, 69;
D15/140; 279/60, 61, 62, 63, 64, 65, 66,
157, 901, 902; 408/56, 240

DE M9205204 11/1992
DE M9405172 11/1994
DE M9607917 3/1997
DE M9701321 8/1997
DE M9706919 5/1998
DE M9801292 9/1998
DE 49901702 10/1999
DE 49904676 10/1999

(56) **References Cited**

* cited by examiner

U.S. PATENT DOCUMENTS

Primary Examiner—Doris V. Coles
Assistant Examiner—T. Chase Nelson
(74) *Attorney, Agent, or Firm*—Michael P. Leary; Charles E. Yocum; John D. DelPonti

562,421 A * 6/1896 Richards 279/61
879,741 A * 2/1908 Coit 279/61
962,746 A * 6/1910 Cogswell 279/64
1,160,138 A * 11/1915 Cobey 279/64
1,304,659 A 5/1919 Cobey
1,364,361 A 1/1921 Emrick
D58,117 S * 6/1921 Sweetland D8/68
1,513,332 A * 10/1924 McConnell 279/62
1,532,328 A * 4/1925 McConnell 279/62
1,784,002 A * 12/1930 Englund 279/60
1,839,252 A * 1/1932 O'Flaherty 279/65
1,885,790 A 11/1932 Amyot
1,979,652 A 11/1934 Taylor
1,985,586 A * 12/1934 Stone D15/140
2,292,470 A * 8/1942 Ostberg 279/60
5,145,193 A 9/1992 Rohm
5,236,206 A 8/1993 Rohm
D359,432 S 6/1995 Owens
D366,052 S 1/1996 Barton et al.
5,553,873 A 9/1996 Salpaka et al.
D386,193 S 11/1997 Steadings

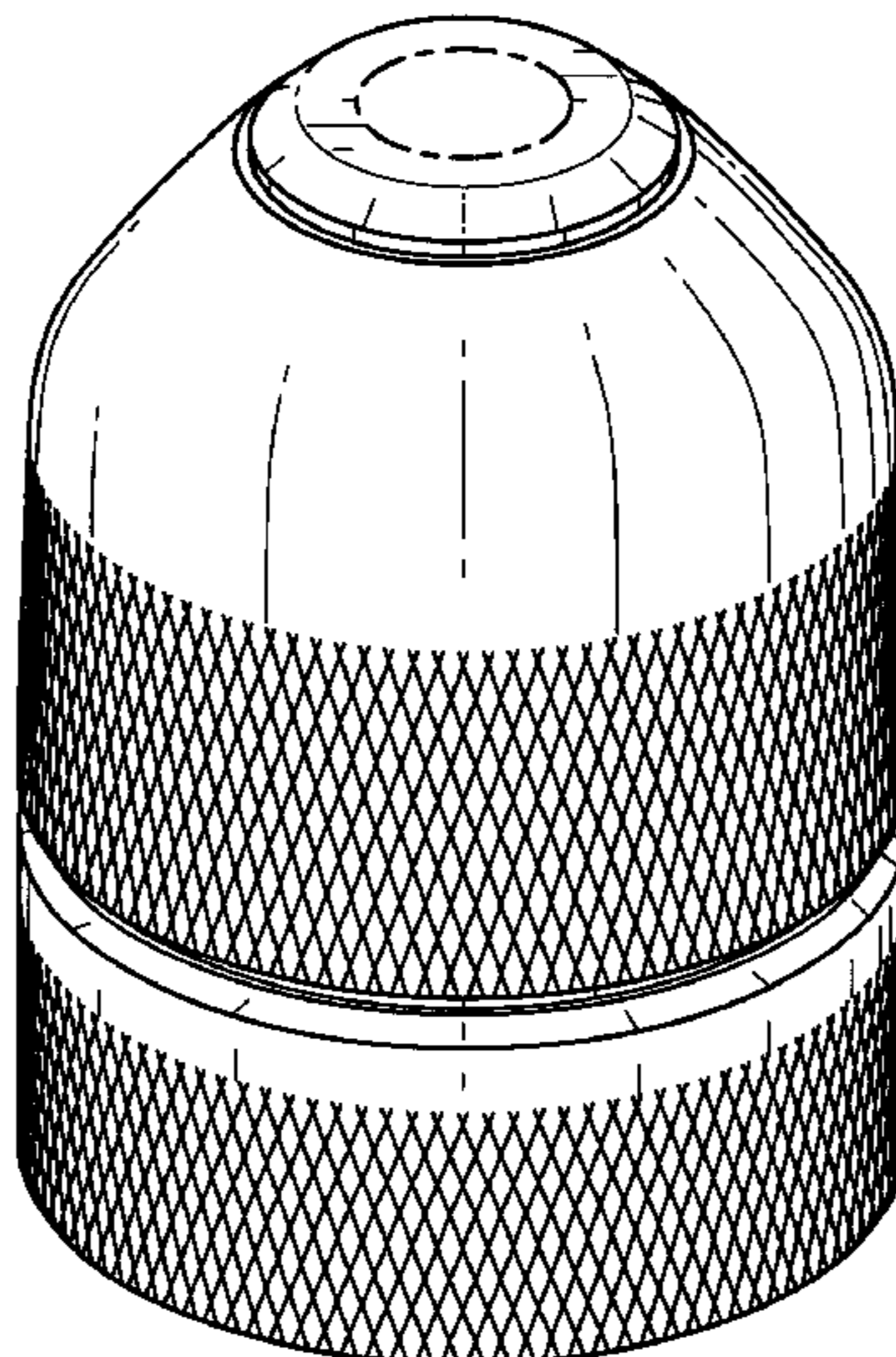
(57) **CLAIM**

The ornamental design for a chuck, as shown and described.

DESCRIPTION

FIG. 1 is a perspective view of a chuck showing my new design;
FIG. 2 is a right side elevational view thereof, the left side elevational view being symmetrical to the right side view;
FIG. 3 is a top plan view thereof; and,
FIG. 4 is a bottom plan view thereof.
The broken lines are for illustrative purposes only and form no part of the invention.

1 Claim, 3 Drawing Sheets



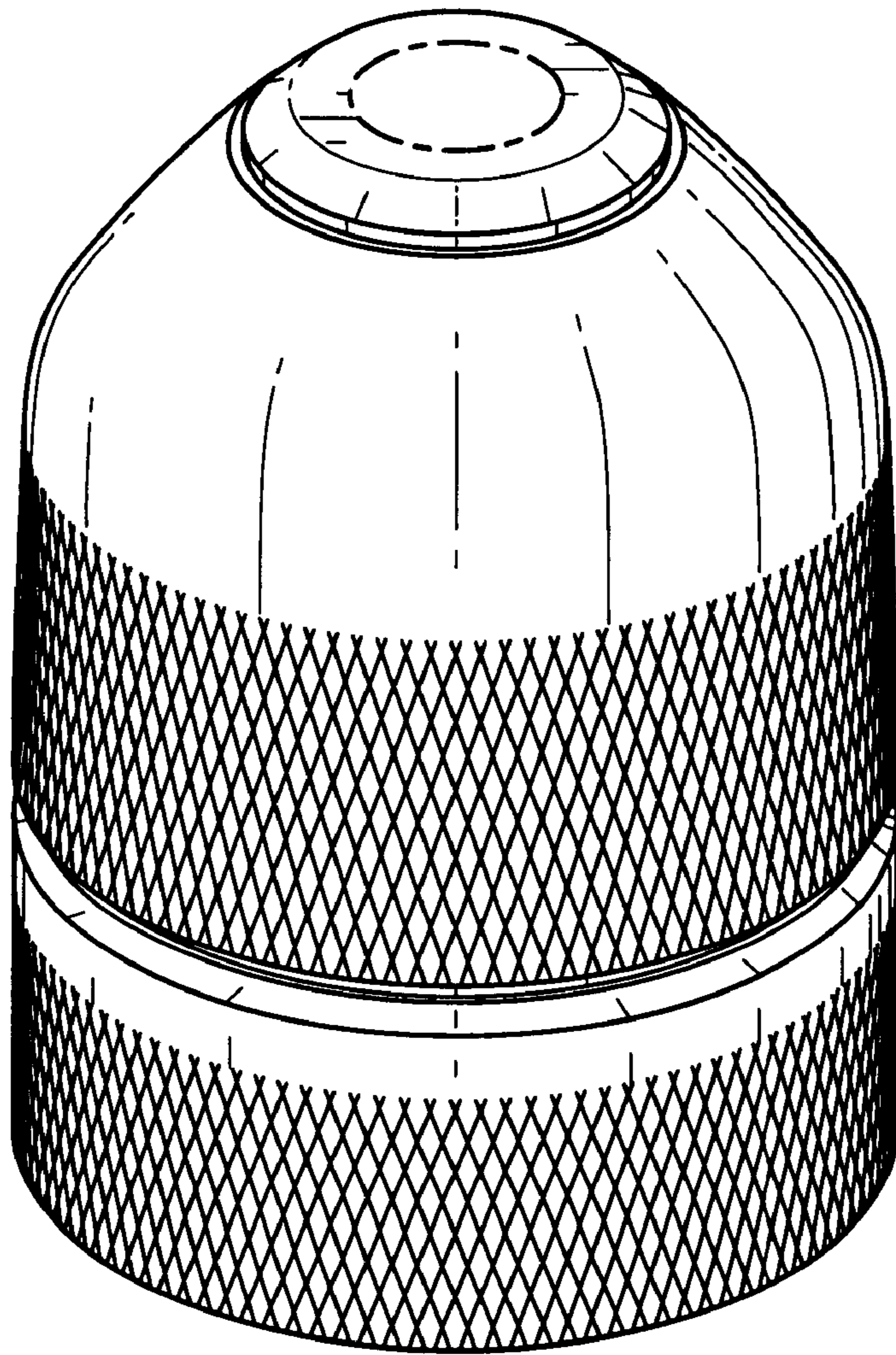


FIG. 1

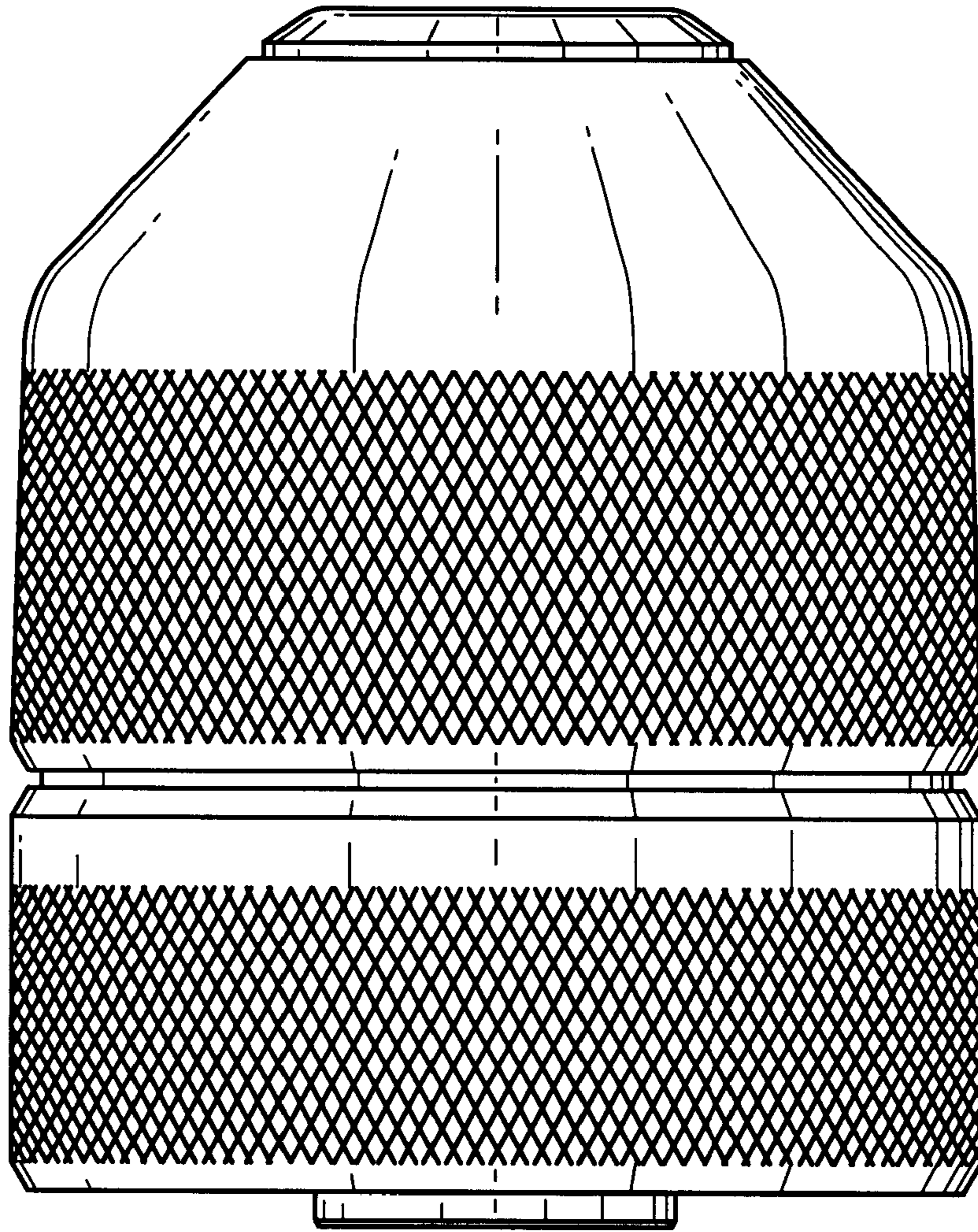


FIG. 2

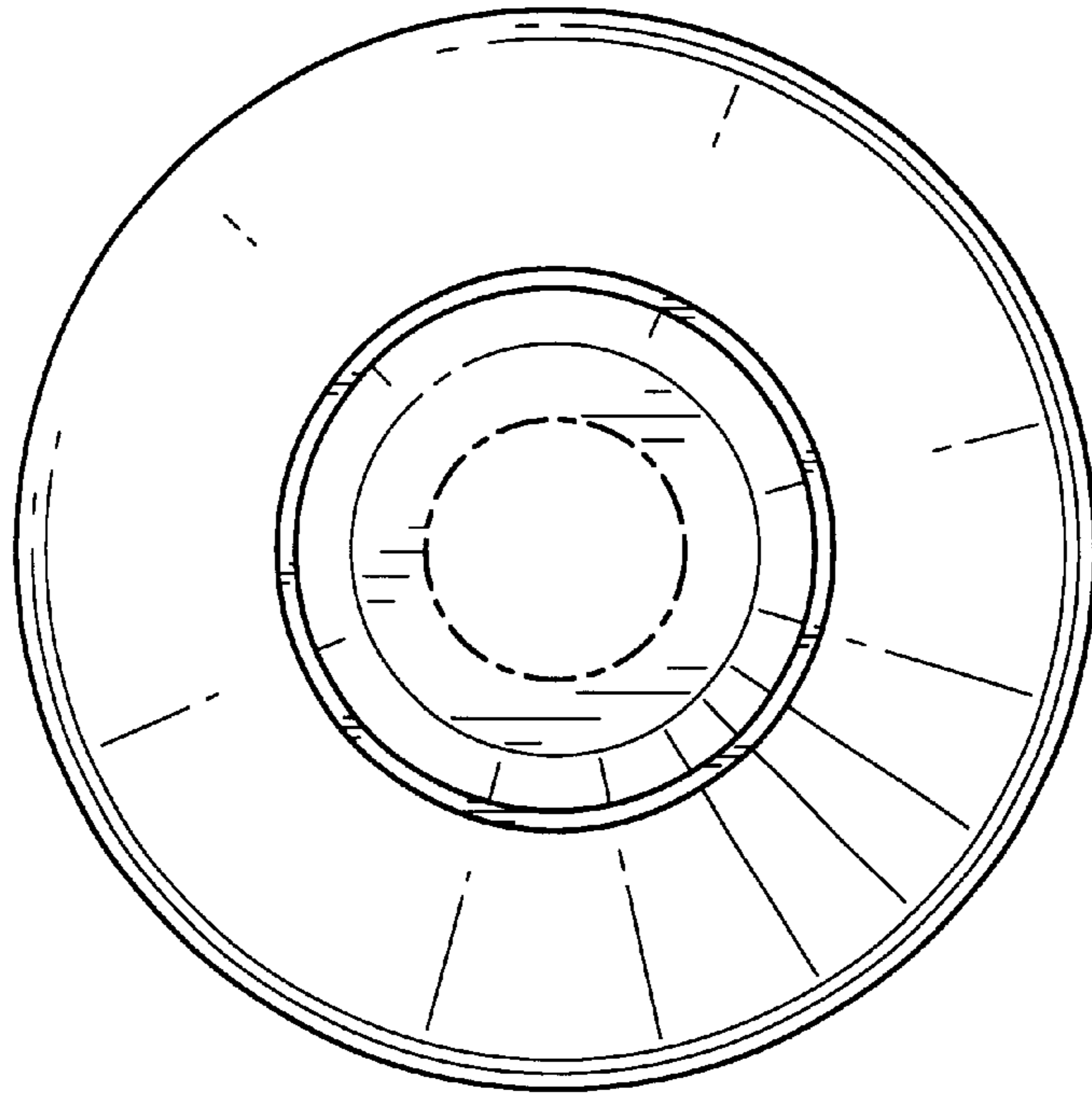


FIG. 3

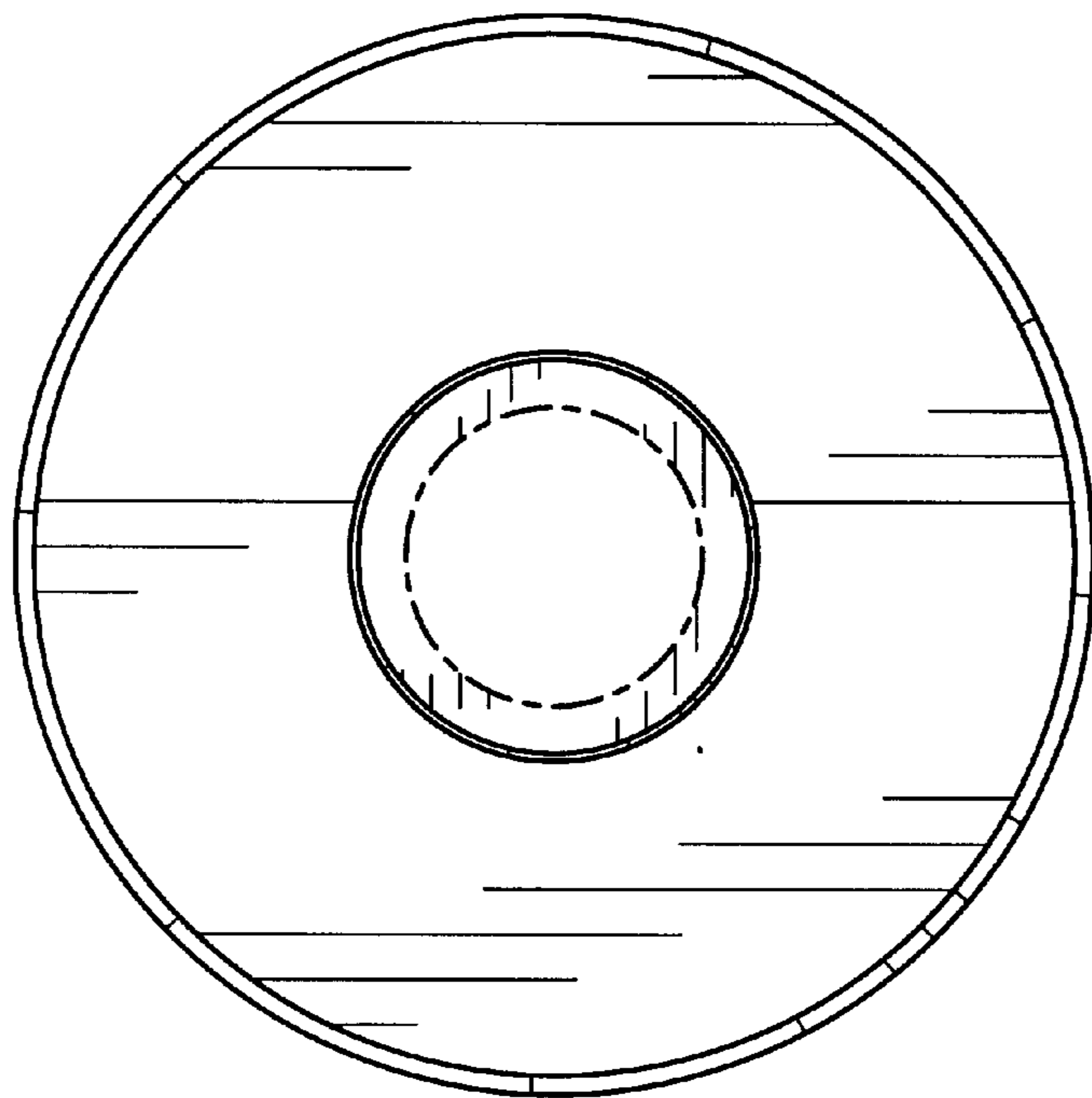


FIG. 4