



US00D472782S

(12) **United States Design Patent**  
**Pusateri et al.**

(10) **Patent No.: US D472,782 S**

(45) **Date of Patent: \*\* Apr. 8, 2003**

(54) **IMPACT WRENCH**

(75) Inventors: **Daniel S. Pusateri**, Grayslake, IL (US);  
**Joshua Beer**, Racine, WI (US); **Susan C. Melvin**, Zion, IL (US); **Raymond E. Kinsley**, Racine, WI (US); **James R. Brehm**, Racine, WI (US); **John A. Pierman**, Kenosha, WI (US)

(73) Assignee: **Snap-on Technologies, Inc.**,  
Lincolnshire, IL (US)

(\*\*) Term: **14 Years**

(21) Appl. No.: **29/158,353**

(22) Filed: **Apr. 2, 2002**

(51) **LOC (7) Cl.** ..... **08-05**

(52) **U.S. Cl.** ..... **D8/68**

(58) **Field of Search** ..... D8/61, 62, 63,  
D8/64, 65, 66, 67, 68, 69, 70; 81/57.11,  
429, 464, 465, 466, 469, 489; 173/13, 169,  
178, 213, 217; 227/8, 114, 120, 130, 136,  
142; 310/50; 408/20, 124, 125, 234, 241 R;  
451/358

(56) **References Cited**

**U.S. PATENT DOCUMENTS**

D205,091 S	*	6/1966	Averitt	.....	D8/68
D223,134 S	*	3/1972	Bunyea	.....	D8/68
3,924,961 A	*	12/1975	Hess et al.	.....	173/169
D256,980 S	*	9/1980	Adams et al.	.....	D8/68
D288,769 S	*	3/1987	Doman	.....	D8/68
D288,770 S	*	3/1987	Doman	.....	D8/68
D294,001 S	*	2/1988	Greenlee et al.	.....	D8/68
D324,802 S	*	3/1992	Caskey et al.	.....	D8/68
D335,073 S	*	4/1993	Anthony et al.	.....	D8/61
D339,726 S	*	9/1993	Bruno et al.	.....	D8/68
D377,894 S	*	2/1997	Sung	.....	D8/68
D378,891 S	*	4/1997	Sung	.....	D8/68
D396,620 S	*	8/1998	Sung	.....	D8/68
D410,830 S	*	6/1999	Pusateri et al.	.....	D8/68
6,043,575 A	*	3/2000	Ghode et al.	.....	310/50
6,062,323 A	*	5/2000	Pusateri et al.	.....	173/169

6,082,468 A	*	7/2000	Pusateri et al.	.....	173/169
6,158,459 A	*	12/2000	Chang	.....	81/489
D437,760 S	*	2/2001	Izumisawa	.....	D8/68
D441,628 S	*	5/2001	Bass et al.	.....	D8/68
6,338,389 B1	*	1/2002	Chang	.....	173/169
D458,824 S	*	6/2002	Chen	.....	D8/68
D459,179 S	*	6/2002	Morgan	.....	D8/68

**OTHER PUBLICATIONS**

Impact wrench #824, Black & Decker catalogue, p. 60.\*  
Square drive impact wrench No. 7000, Sioux Professional Tools Catalogue, #871, p. 67.\*  
Air impact wrenches, ZK-502, 504, and 508, Zone King Industrial Co. brochure.\*  
Photocopy of Snap-on impact wrench.  
Photocopy of Snap-on impact wrench.  
Photocopy of Snap-on impact wrench.

\* cited by examiner

*Primary Examiner*—Doris V. Coles  
*Assistant Examiner*—T. Chase Nelson  
(74) *Attorney, Agent, or Firm*—Seyfarth Shaw

(57) **CLAIM**

The ornamental design for the impact wrench, as shown and described.

**DESCRIPTION**

FIG. 1 is a perspective view of the impact wrench showing our new design, the dashed lines not being part of the design; FIG. 2 is a top plan view thereof, the dashed lines not being part of the design; FIG. 3 is a bottom plan view thereof, the dashed lines not being part of the design; FIG. 4 is a front elevational view thereof, the dashed lines not being part of the design; FIG. 5 is a side elevational view of one side thereof, the dashed lines not being part of the design; FIG. 6 is a side elevational view of the other side thereof, the dashed lines not being part of the design; and, FIG. 7 is a rear elevational view thereof.

**1 Claim, 3 Drawing Sheets**

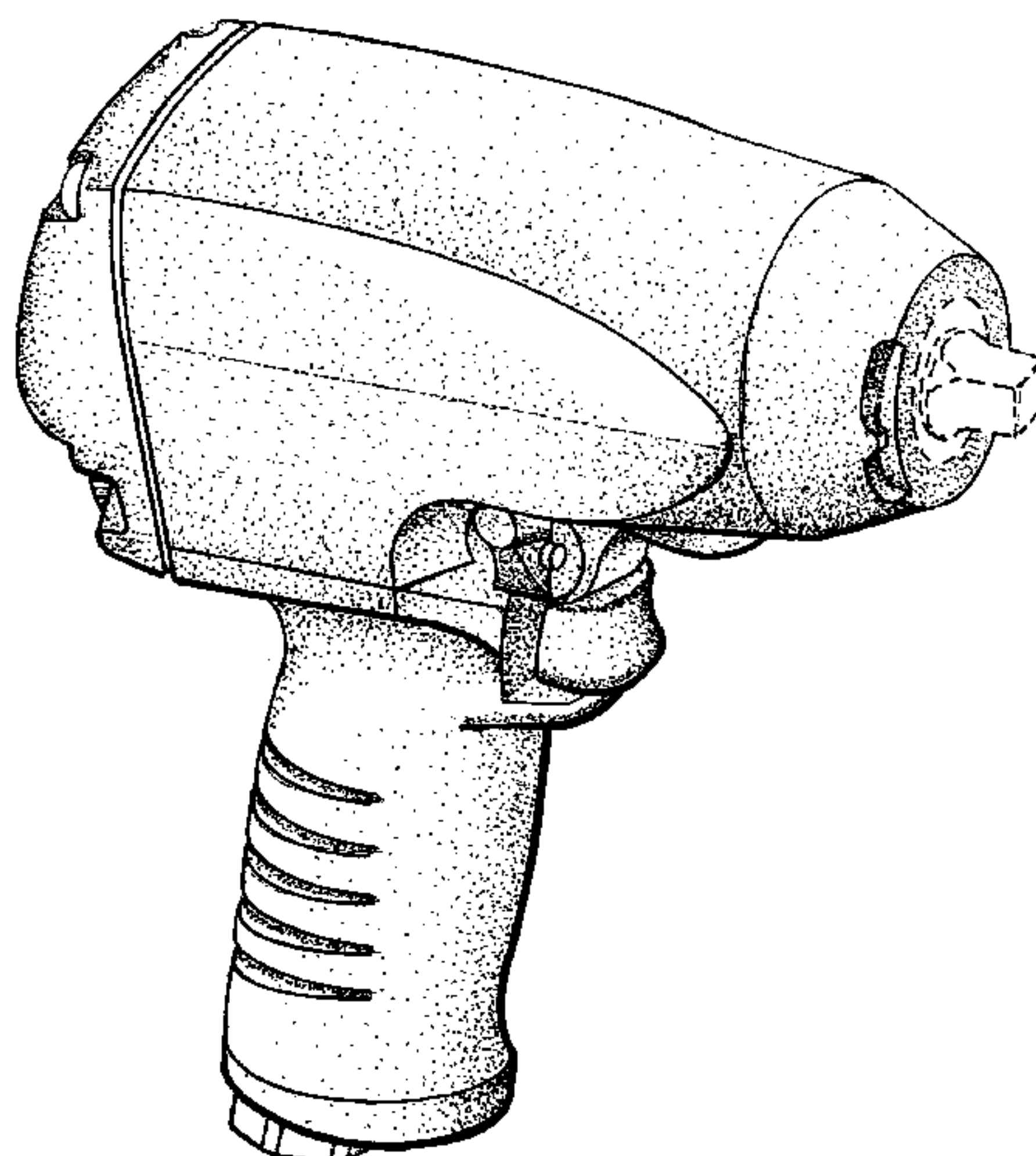


FIG. 1

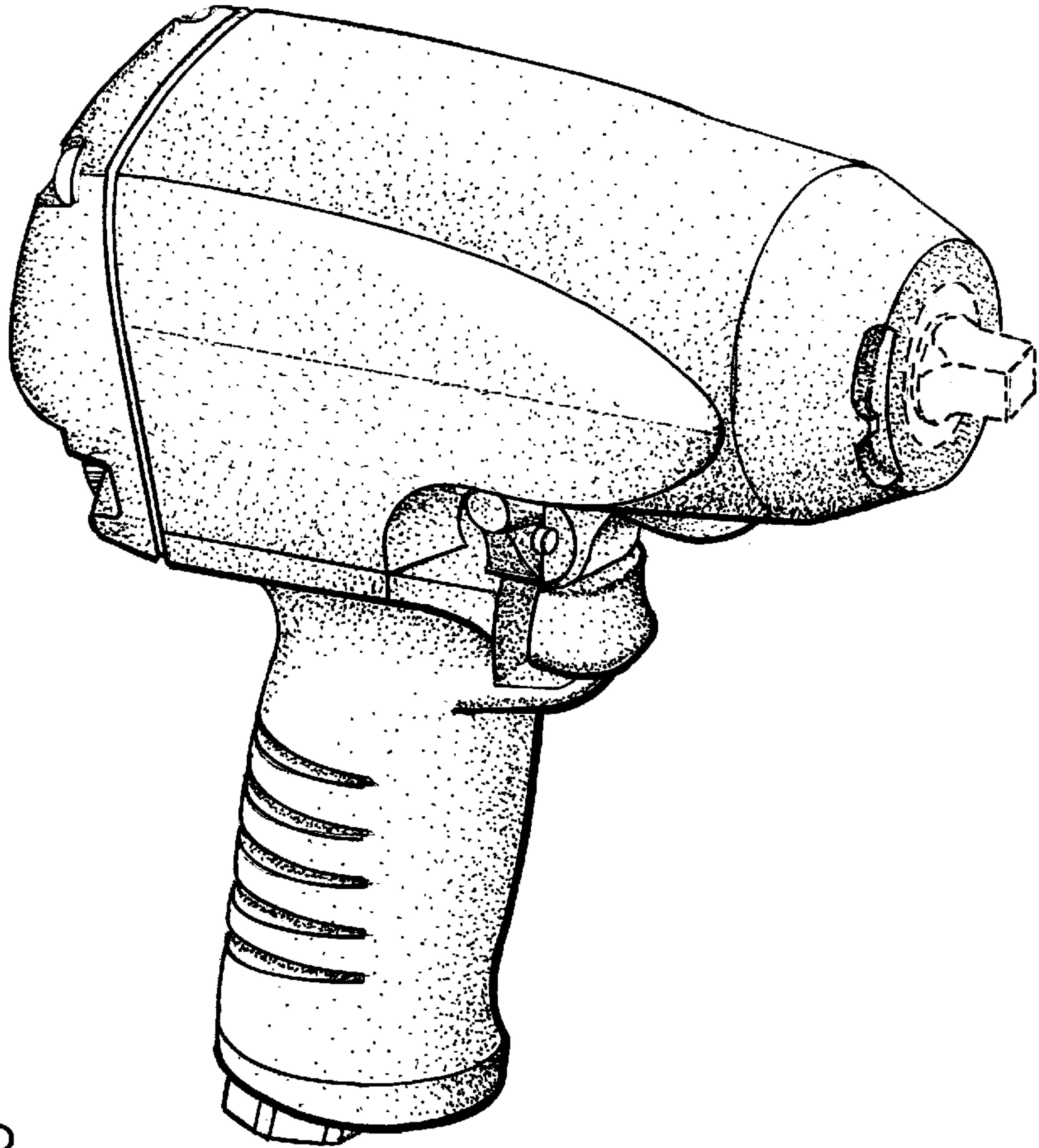


FIG. 2

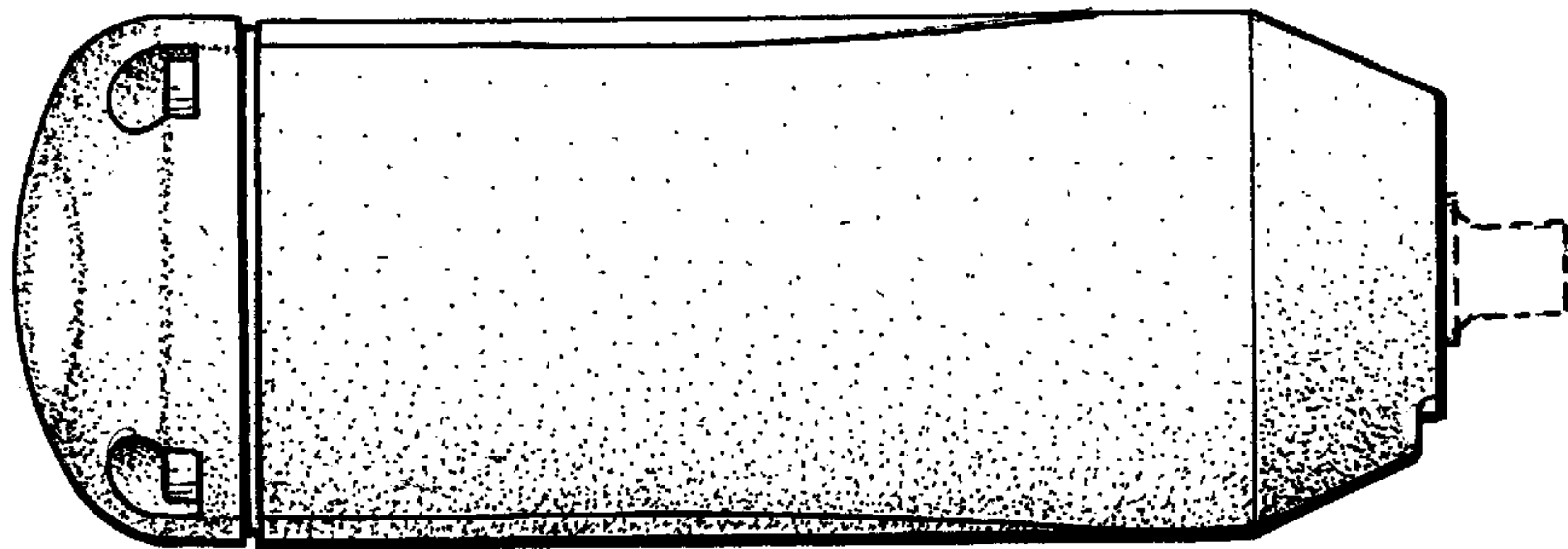


FIG. 3

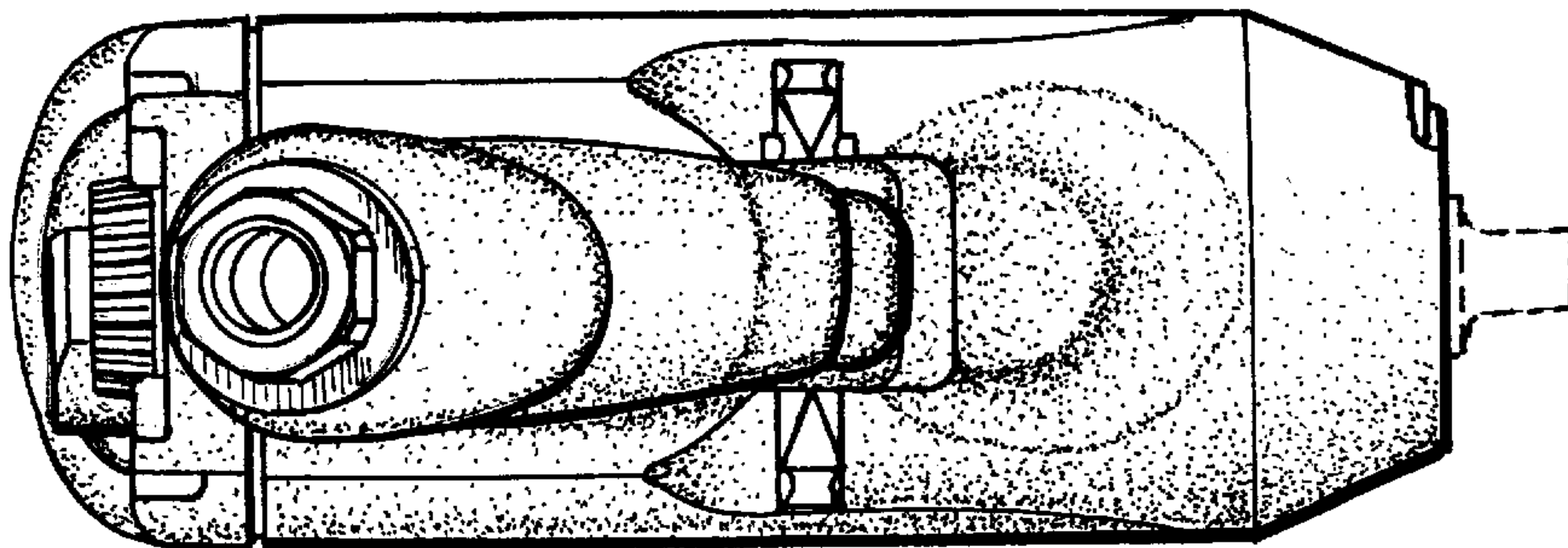




FIG.5

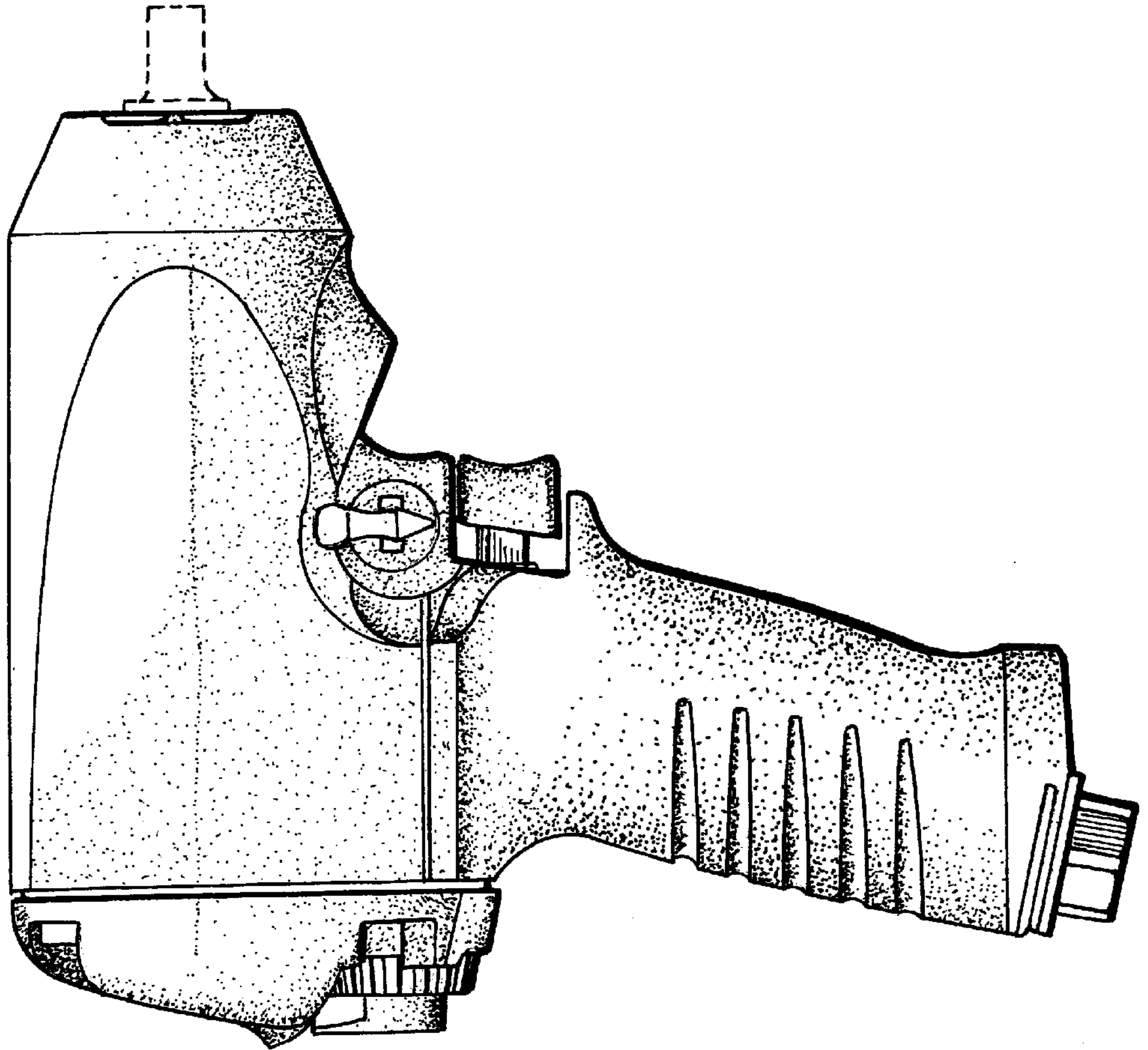


FIG.4

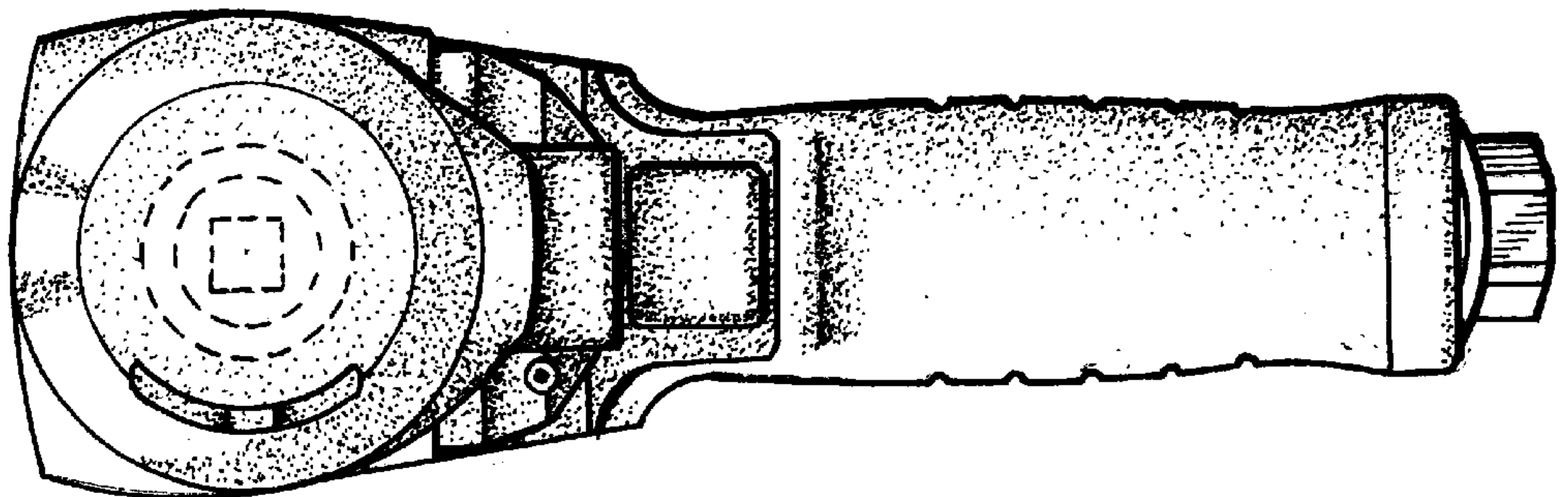


FIG.7

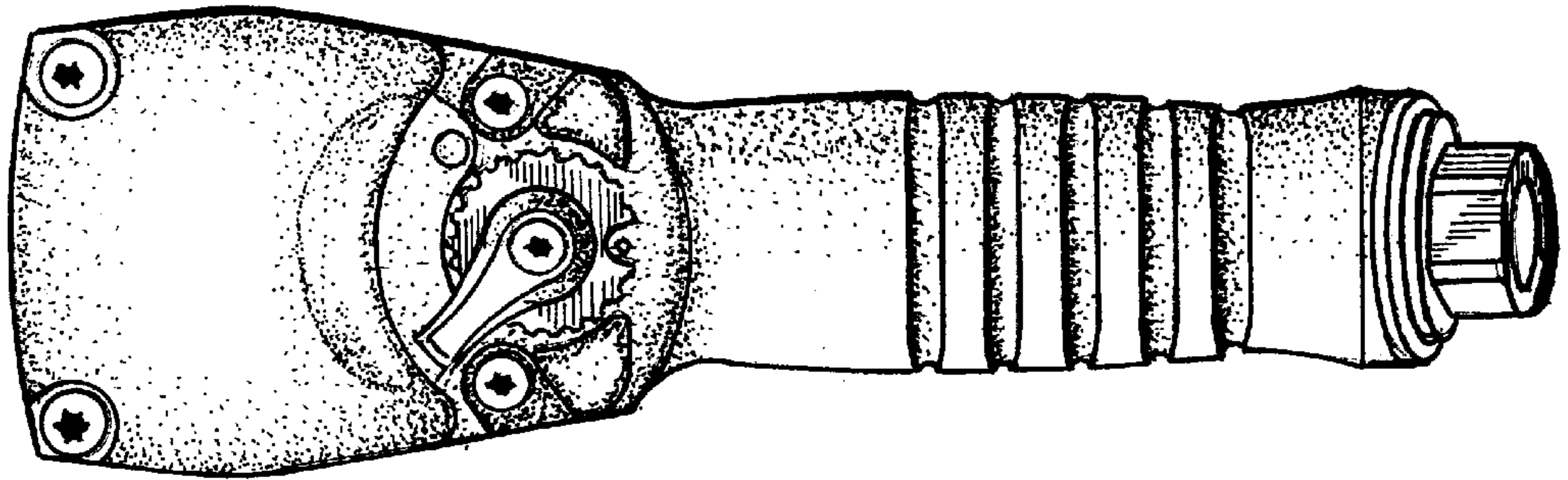


FIG.6

