



US00D472776S

(12) **United States Design Patent**
Porter

(10) **Patent No.:** **US D472,776 S**

(45) **Date of Patent:** **** Apr. 8, 2003**

(54) **FOOD PREPARATION SURFACE WITH LIQUID RETAINING BOWL**

D442,037 S * 5/2001 Wong D7/698

OTHER PUBLICATIONS

(76) **Inventor:** **Scott D. Porter**, 26-Merrill Rd., Clifton, NJ (US) 07012

W. Bell & Co. catalog; 1982, p. 299; item H—chopping block.*

(**) **Term:** **14 Years**

Flyer from Haeger titled New Hardwood Cutting Boards & Trays from Haeger; Aug. 15, 1980; Items 9022 & 9023. The Haeger Potteries, Inc.*

(21) **Appl. No.:** **29/154,924**

* cited by examiner

(22) **Filed:** **Feb. 1, 2002**

Primary Examiner—Caron D. Veynar

(51) **LOC (7) Cl.** **07-04**

(52) **U.S. Cl.** **D7/698**

(57) **CLAIM**

(58) **Field of Search** D7/698, 699, 552.2, D7/505; 269/13, 15, 289 R, 302.1; 222/158

The ornamental design for a food preparation surface with liquid retaining bowl, as shown and described.

(56) **References Cited**

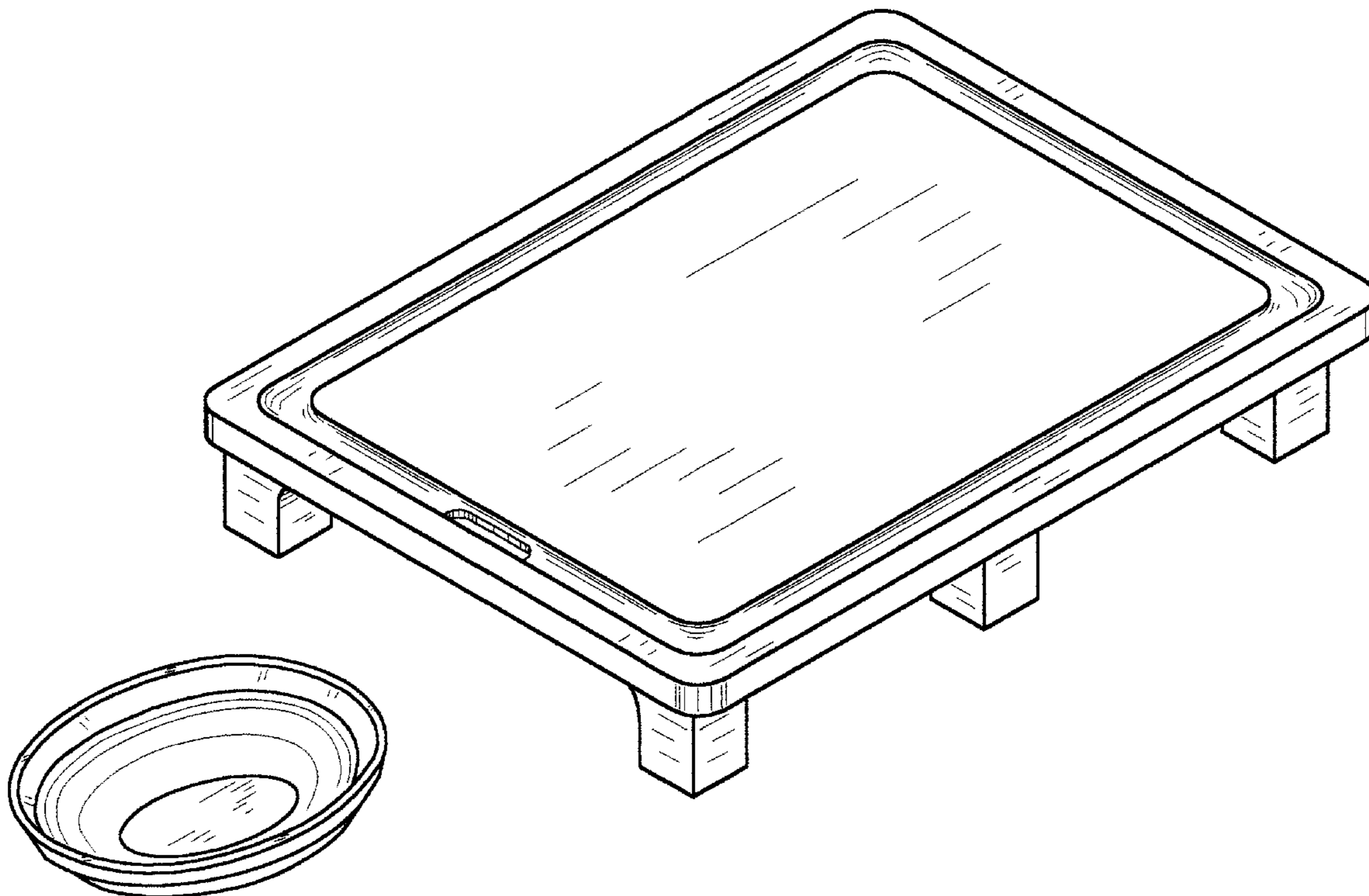
DESCRIPTION

U.S. PATENT DOCUMENTS

D140,595 S	*	3/1945	Browne et al.	D7/698
3,598,164 A	*	8/1971	August	269/13
D257,525 S	*	11/1980	Stahel, II	D7/552.2
D262,931 S	*	2/1982	LeVan	D7/505
D282,043 S	*	1/1986	Morin	D7/552.2
D283,777 S	*	5/1986	Morin	D7/698
5,363,755 A	*	11/1994	Liang	99/484
5,904,271 A	*	5/1999	Collins et al.	222/158
D412,815 S	*	8/1999	Porter	D7/698

FIG. 1 is a front elevational view of a food preparation surface with liquid retaining bowl showing my new design; FIG. 2 is a rear elevational view thereof; FIG. 3 is a side view, taken from the left side of FIG. 1, the right side view being a mirror image thereof; FIG. 4 is a top plan view thereof; FIG. 5 is a bottom plan view thereof; and, FIG. 6 is a perspective view thereof.

1 Claim, 5 Drawing Sheets



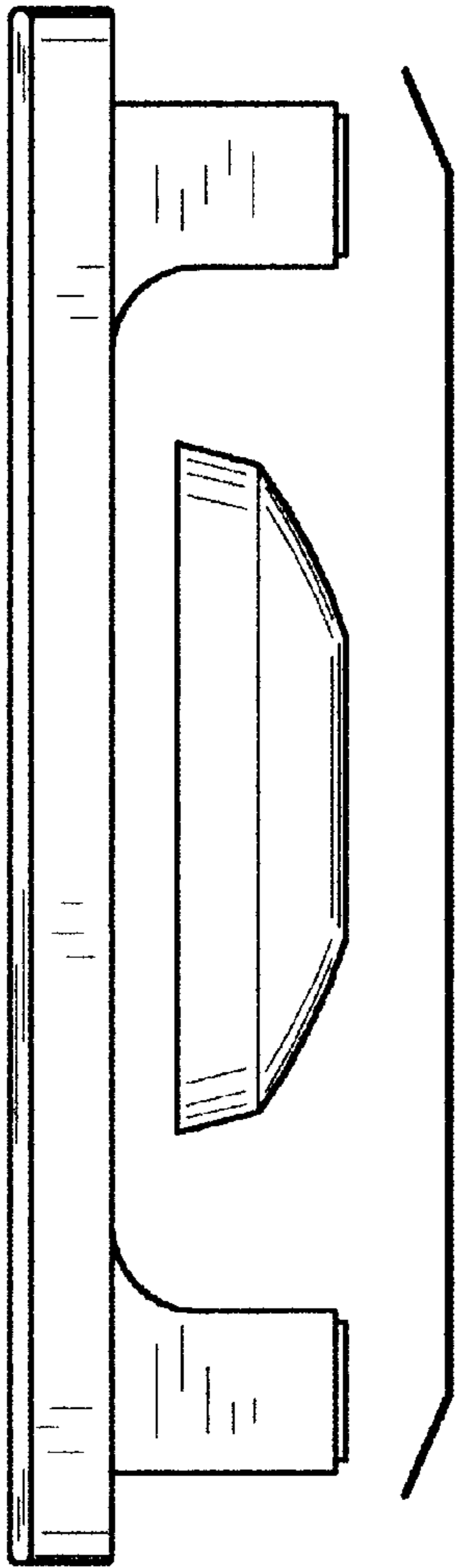


FIG. 1

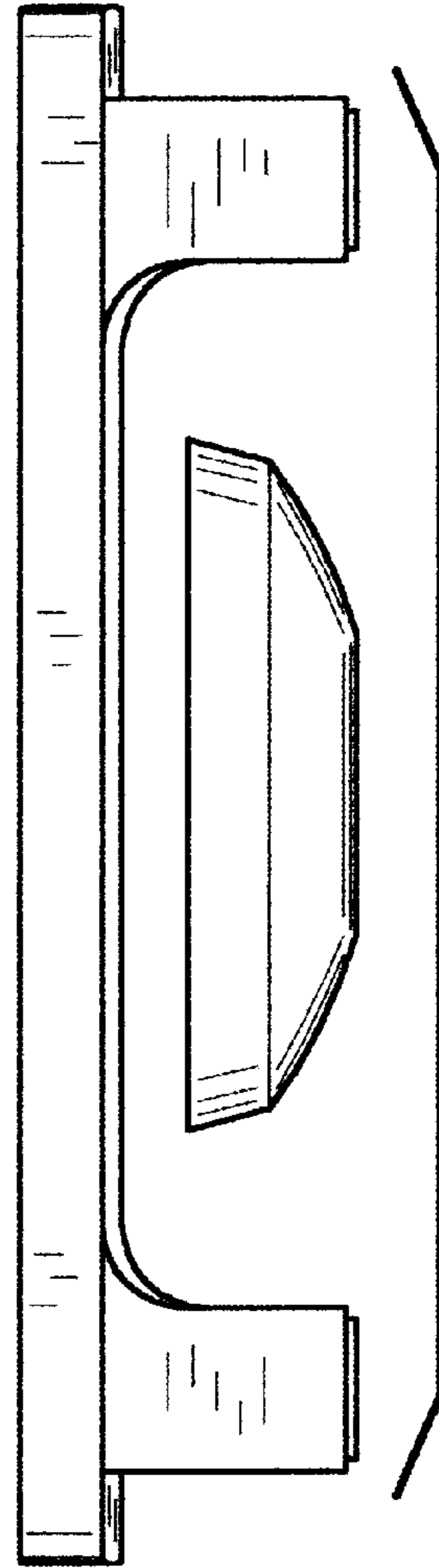


FIG. 2

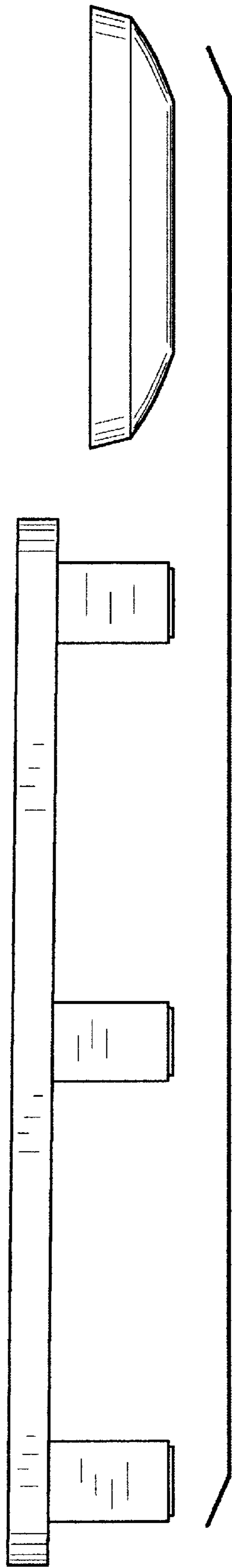


FIG. 3

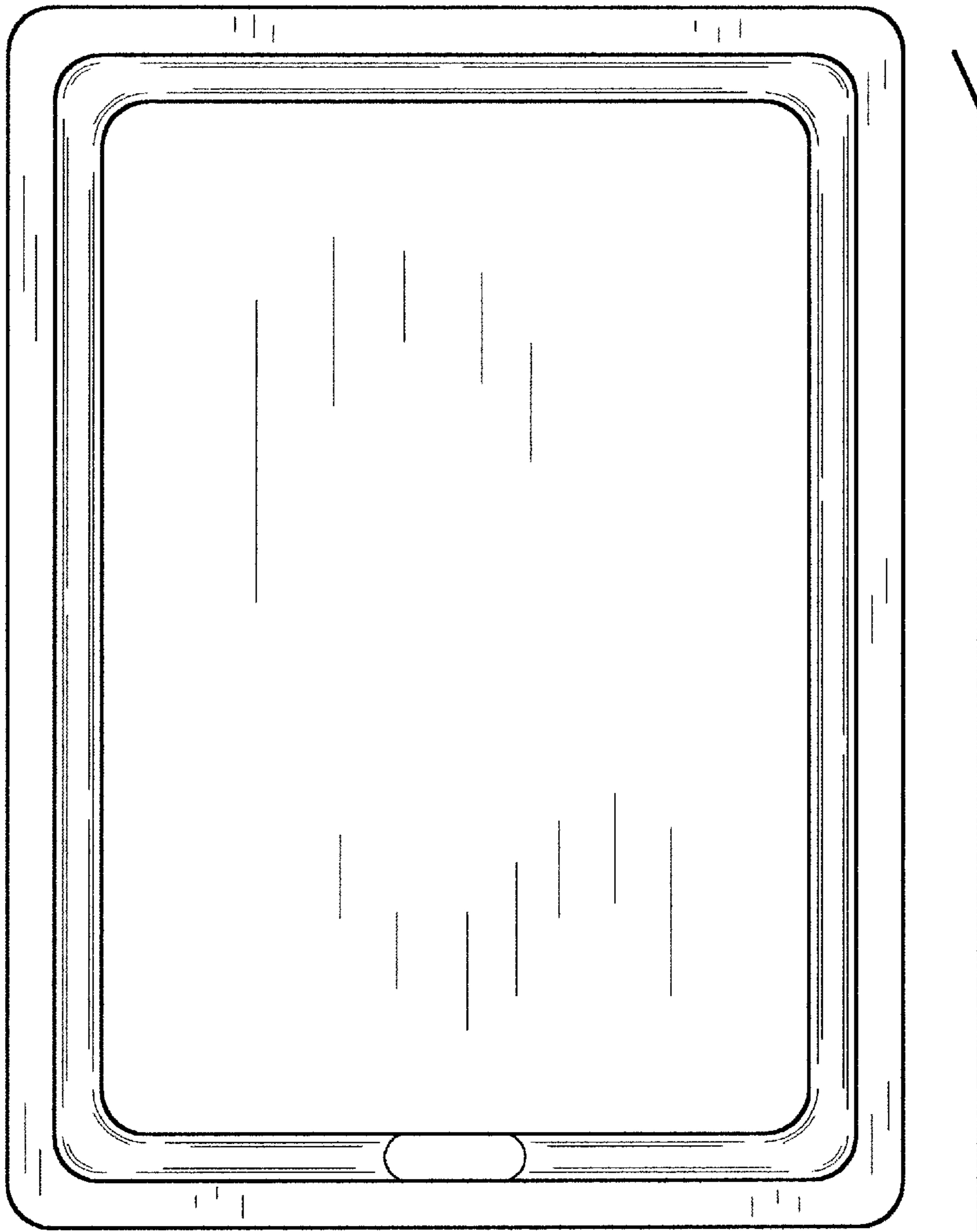
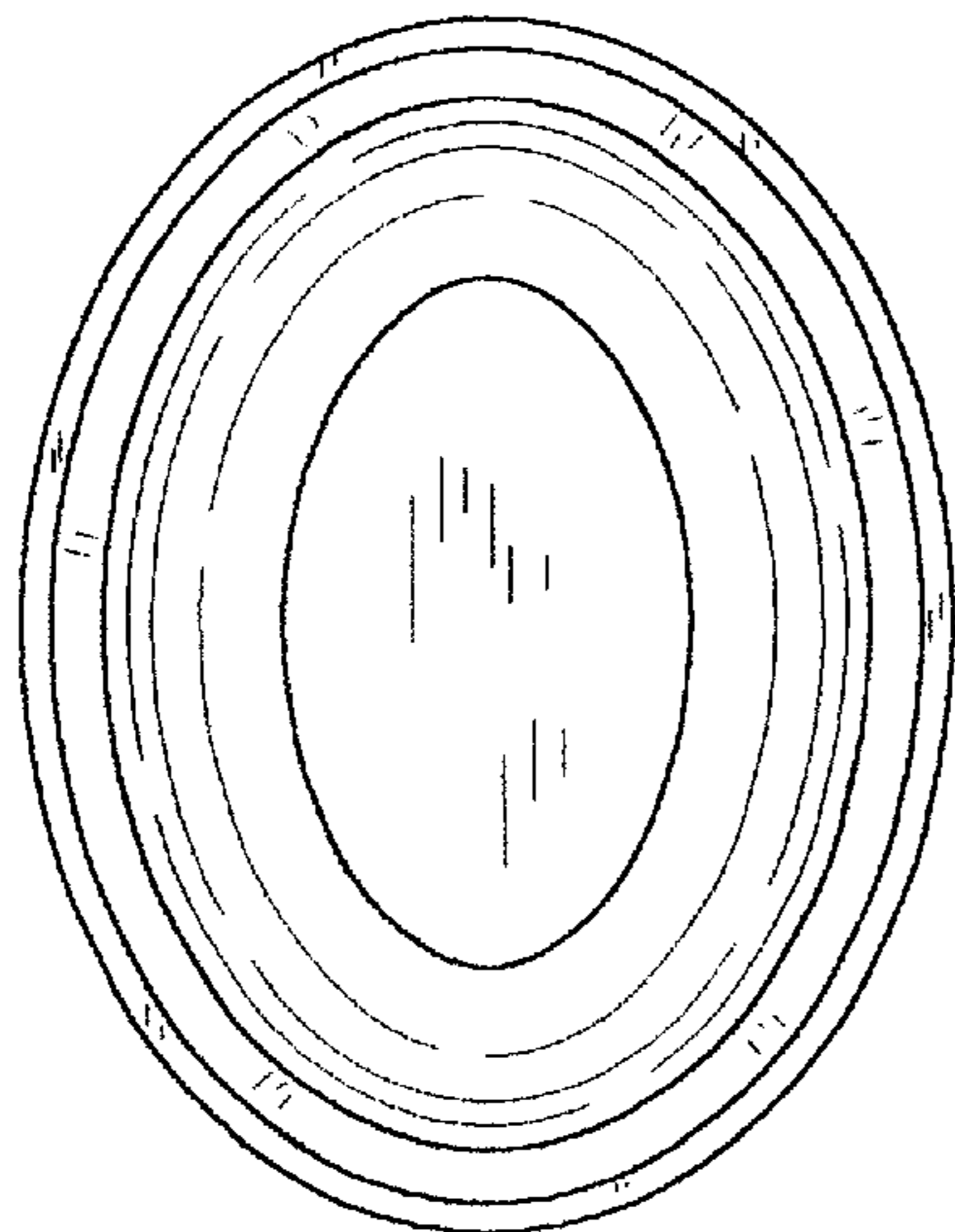


FIG. 4



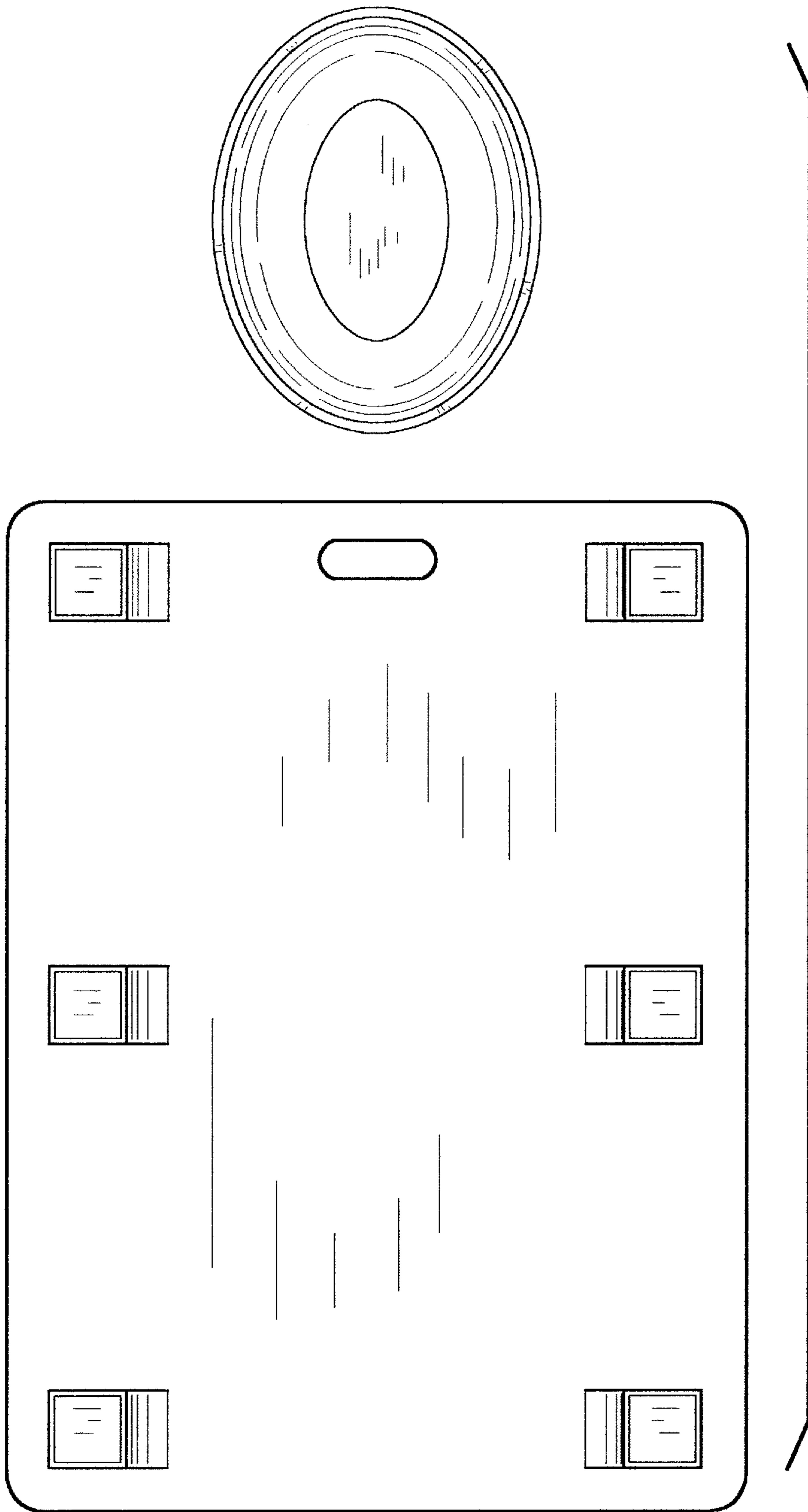


FIG. 5

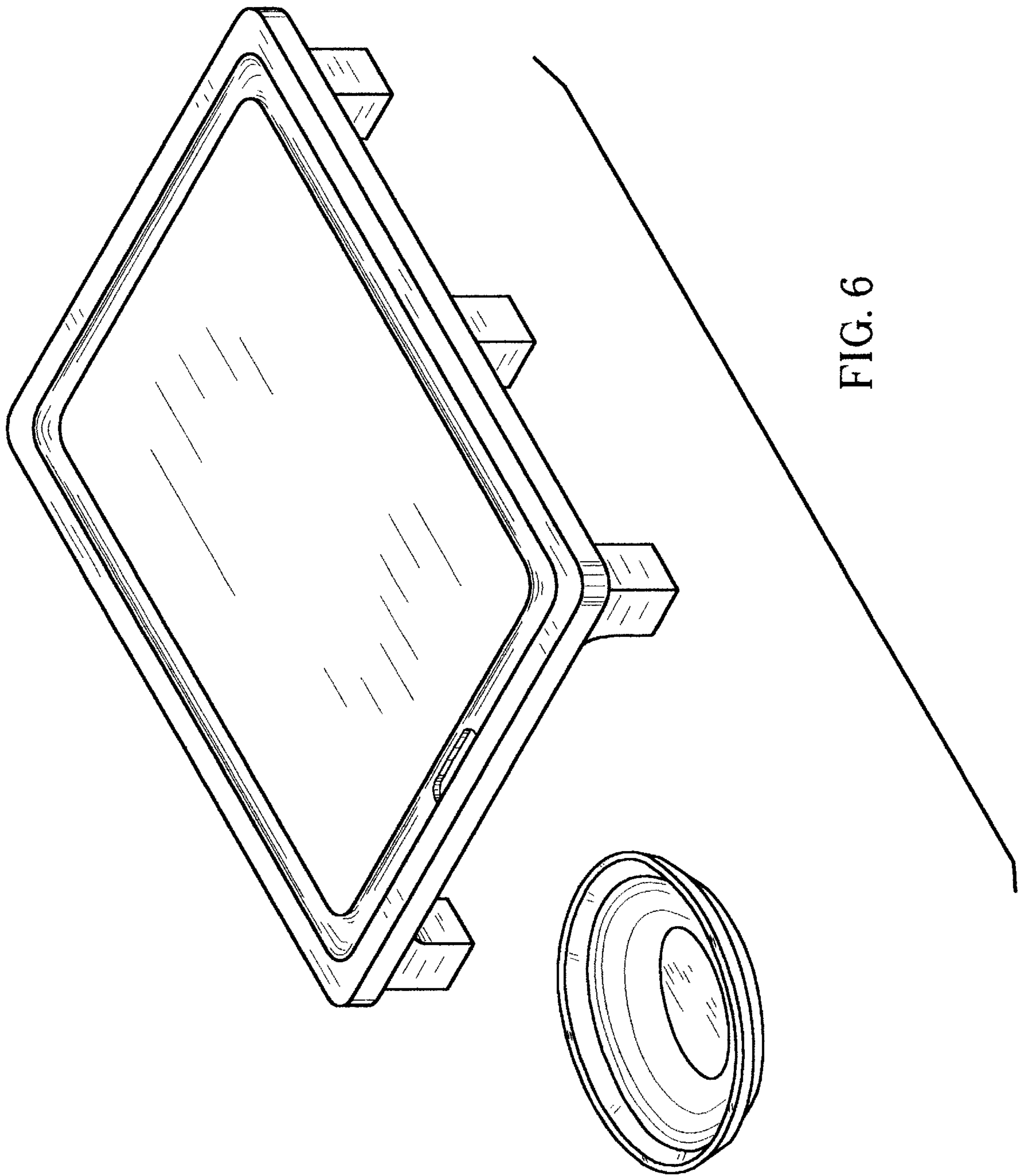


FIG. 6