



US00D472775S

(12) **United States Design Patent**
Schwamkrug

(10) **Patent No.:** **US D472,775 S**

(45) **Date of Patent:** **** Apr. 8, 2003**

(54) **JUICER**

(75) **Inventor:** **Christian Schwamkrug, Zell am See (AT)**

(73) **Assignee:** **BSH Bosch und Siemens Hausgerate GmbH, Munich (DE)**

(**) **Term:** **14 Years**

(21) **Appl. No.:** **29/156,375**

(22) **Filed:** **Feb. 28, 2002**

(30) **Foreign Application Priority Data**

Aug. 30, 2001 (DE) 4 01 07 877

(51) **LOC (7) Cl.** **07-04**

(52) **U.S. Cl.** **D7/665**

(58) **Field of Search** D7/665, 666, 372-374;
99/495-499, 501-513; 100/110, 125, 131-135,
213, 283; 241/33, 36, 37, 282.2

(56) **References Cited**

U.S. PATENT DOCUMENTS

D151,822 S * 11/1948 Hammers D7/665

2,781,069 A * 2/1957 Byrd 99/508
5,088,392 A * 2/1992 Ancona et al. 99/506 X
D399,709 S * 10/1998 Lee D7/665

* cited by examiner

Primary Examiner—Terry A. Wallace

(74) *Attorney, Agent, or Firm*—Laurence A. Greenberg;
Werner H. Stemer; Ralph E. Locher

(57) **CLAIM**

The ornamental design for a juicer, as shown and described.

DESCRIPTION

FIG. 1 is a perspective view of the juicer in an open position; FIG. 2 is a top perspective view thereof in a closed position; FIG. 3 is a top perspective view thereof with its removable lid in place; FIG. 4 is a left-side view thereof; FIG. 5 is a bottom perspective view thereof; FIG. 6 is a front view thereof; FIG. 7 is a right-side view thereof; FIG. 8 is a top view thereof; FIG. 9 is a top section view thereof; and, FIG. 10 is rear view thereof.

1 Claim, 5 Drawing Sheets

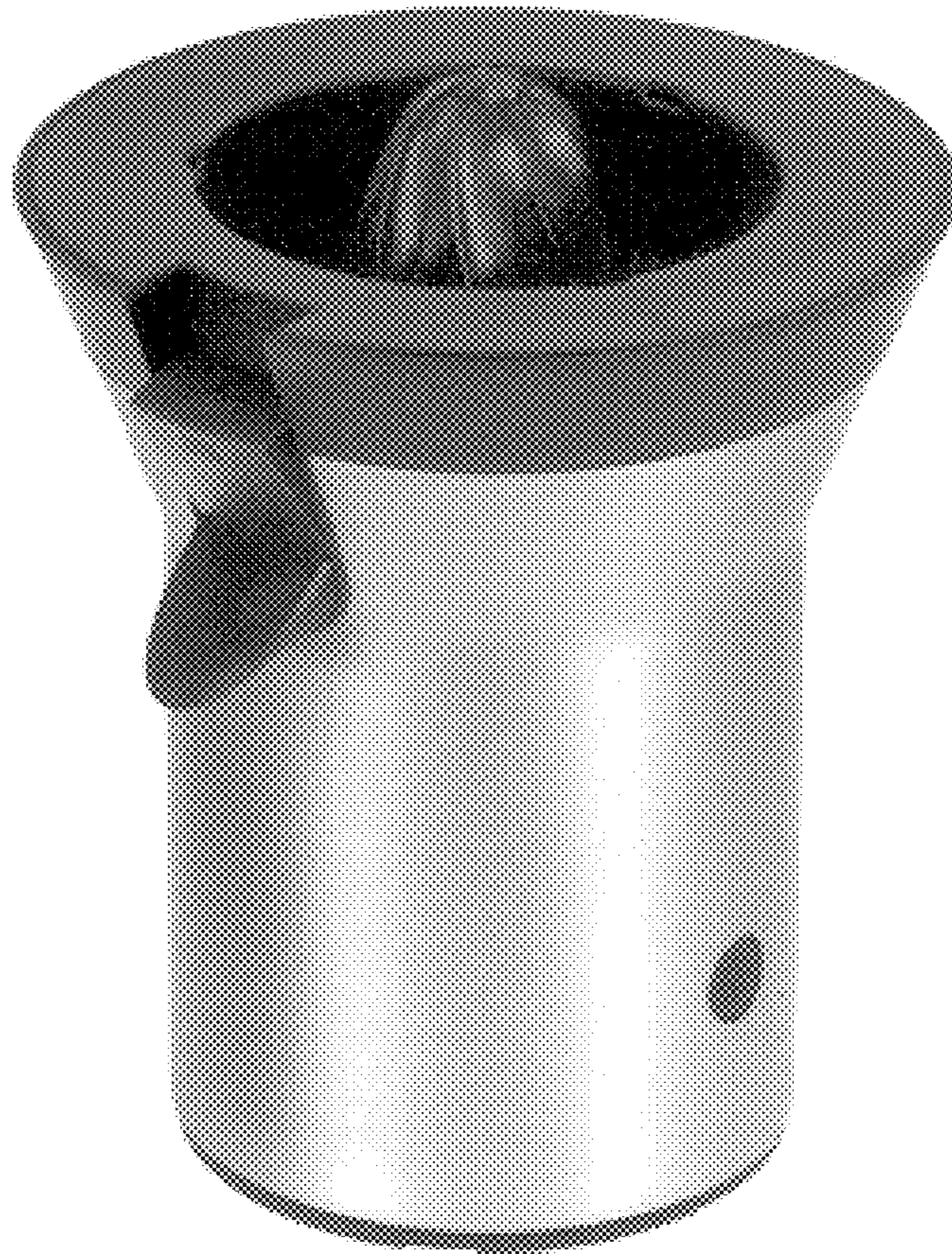


FIG 1

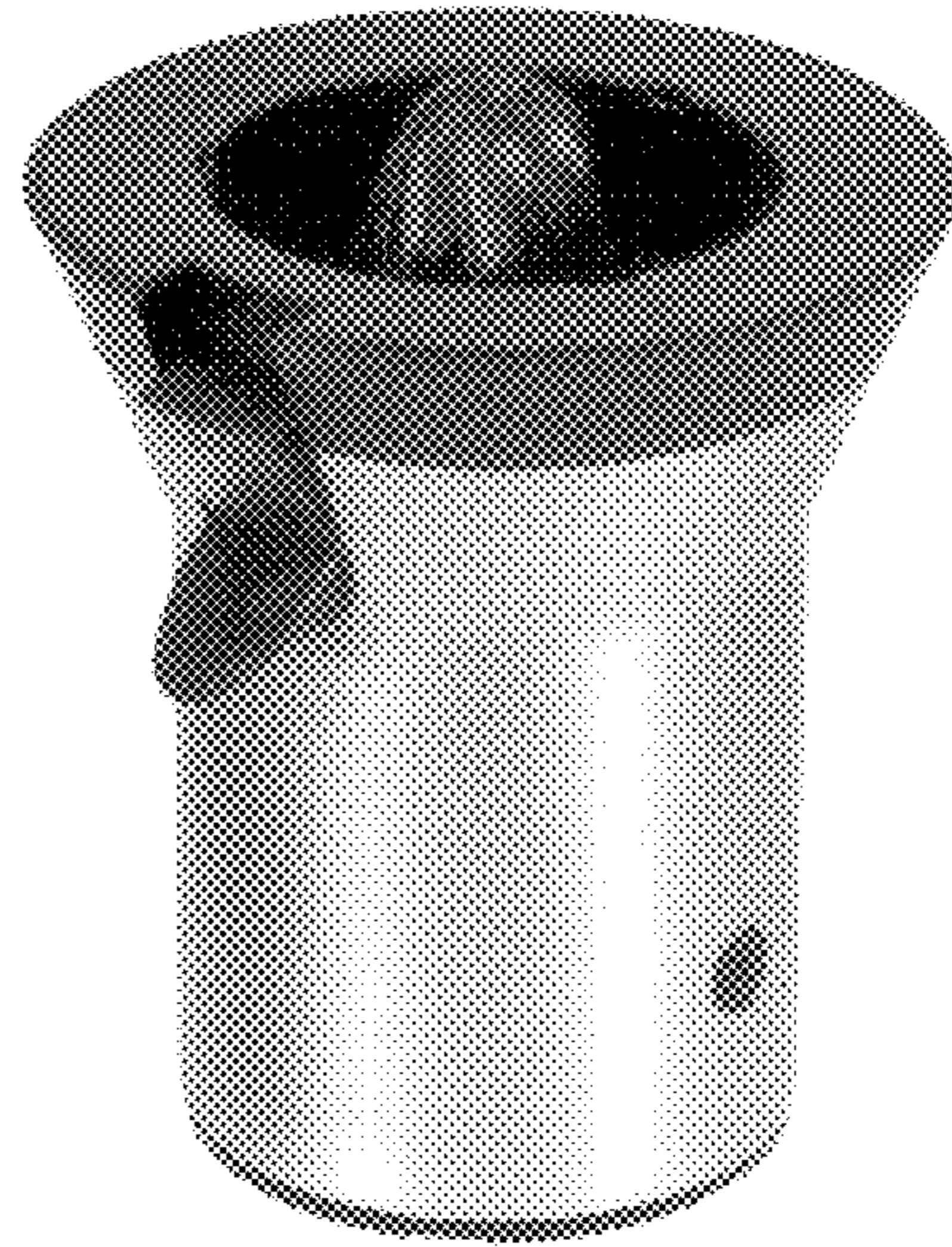


FIG 2

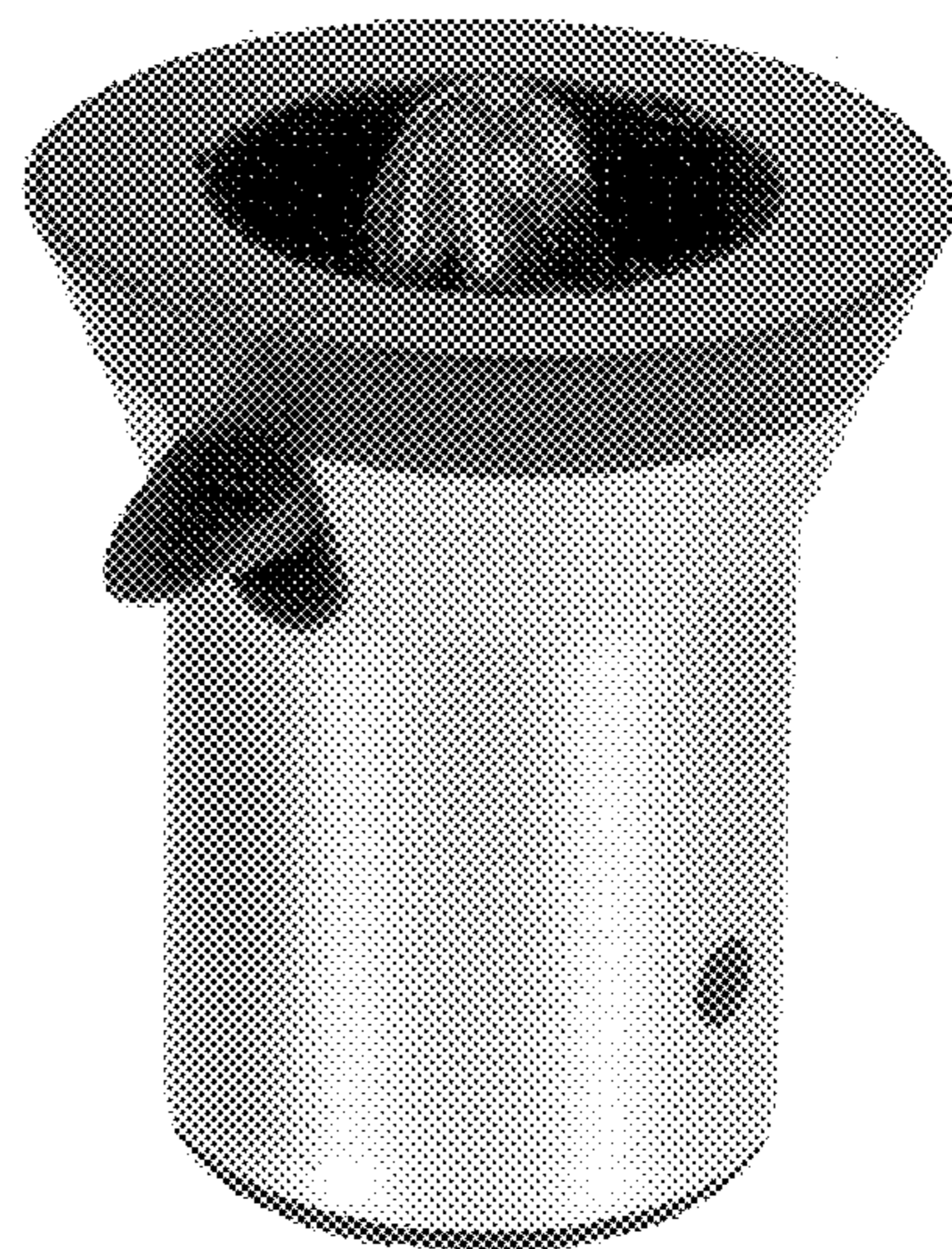


FIG 3

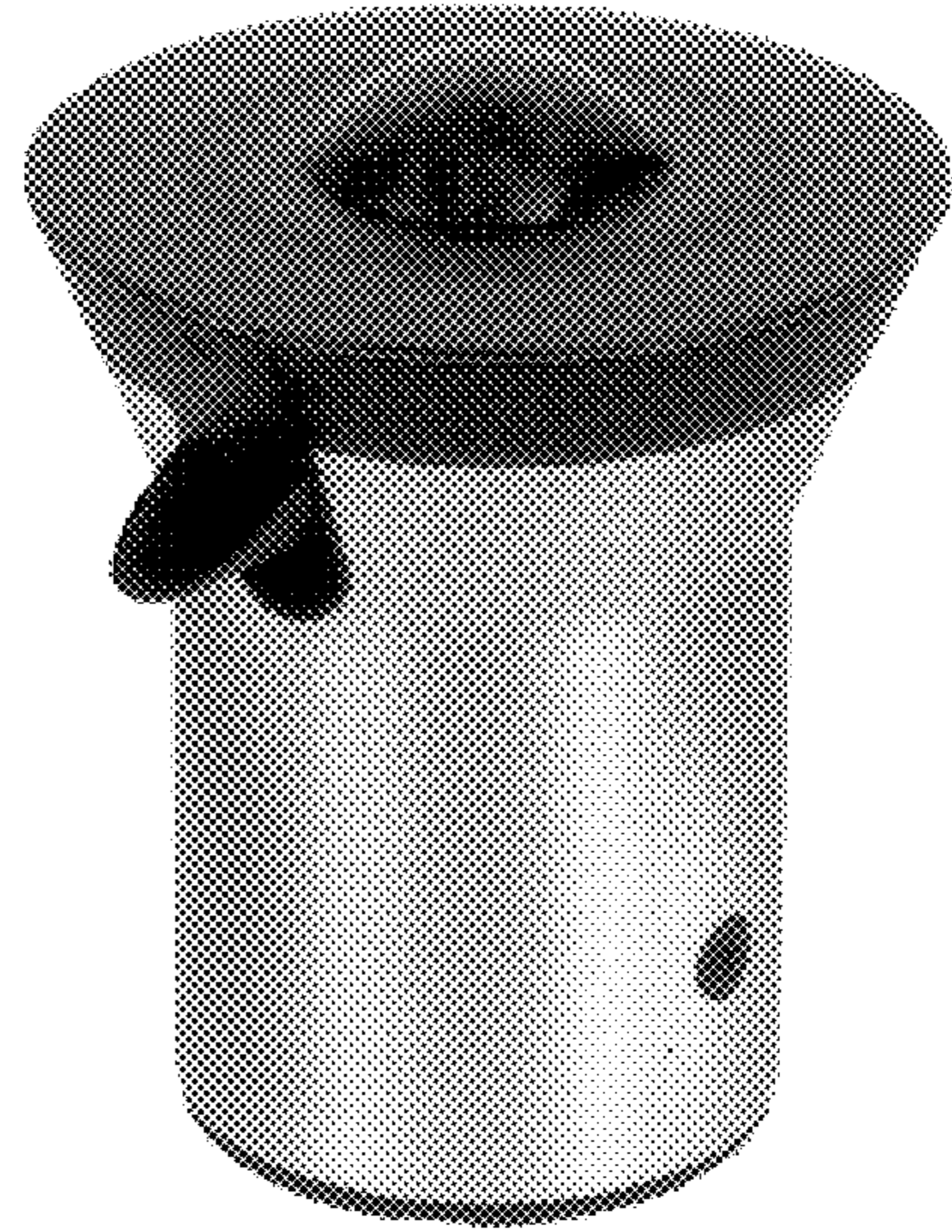


FIG 4

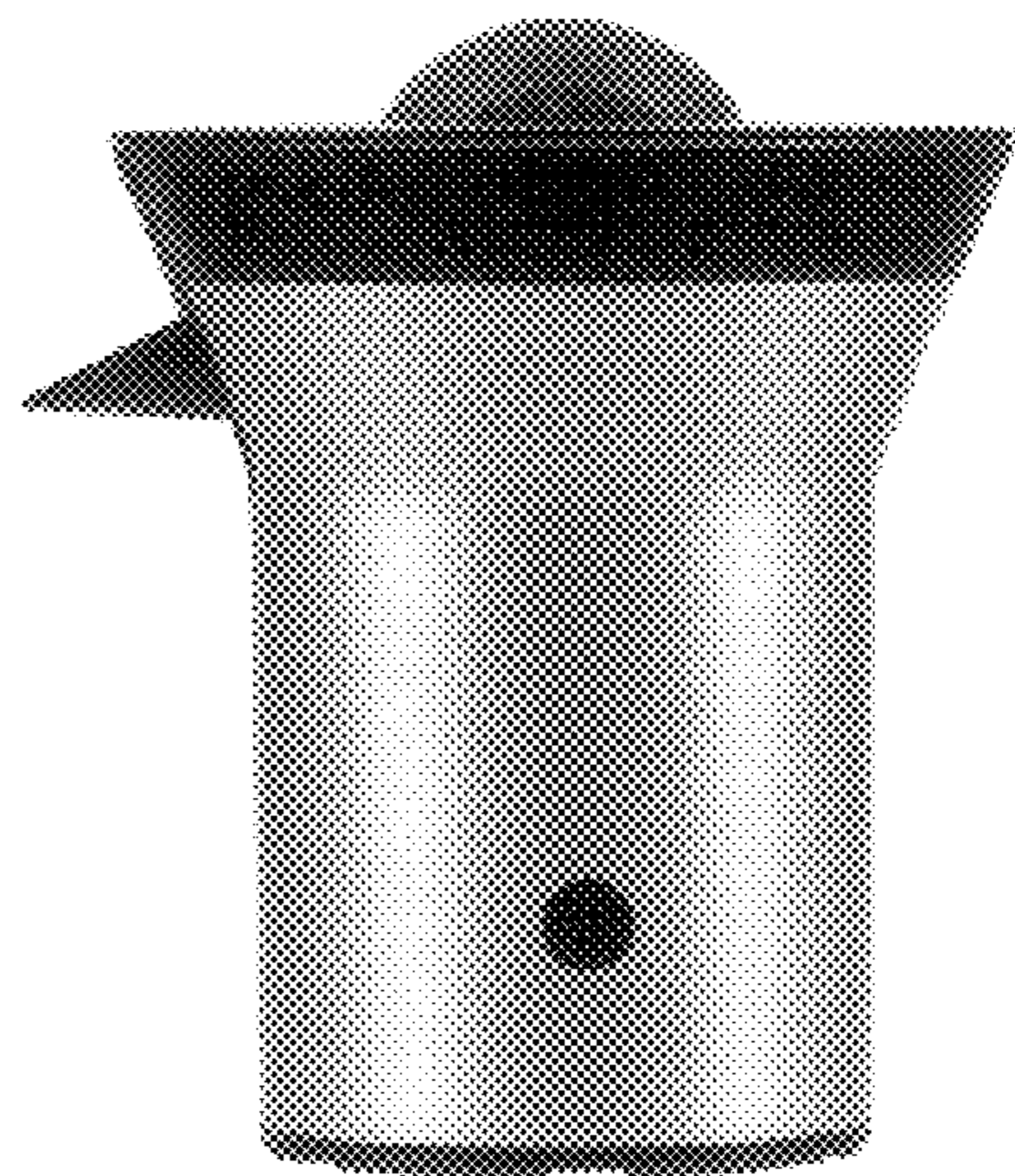


FIG 5

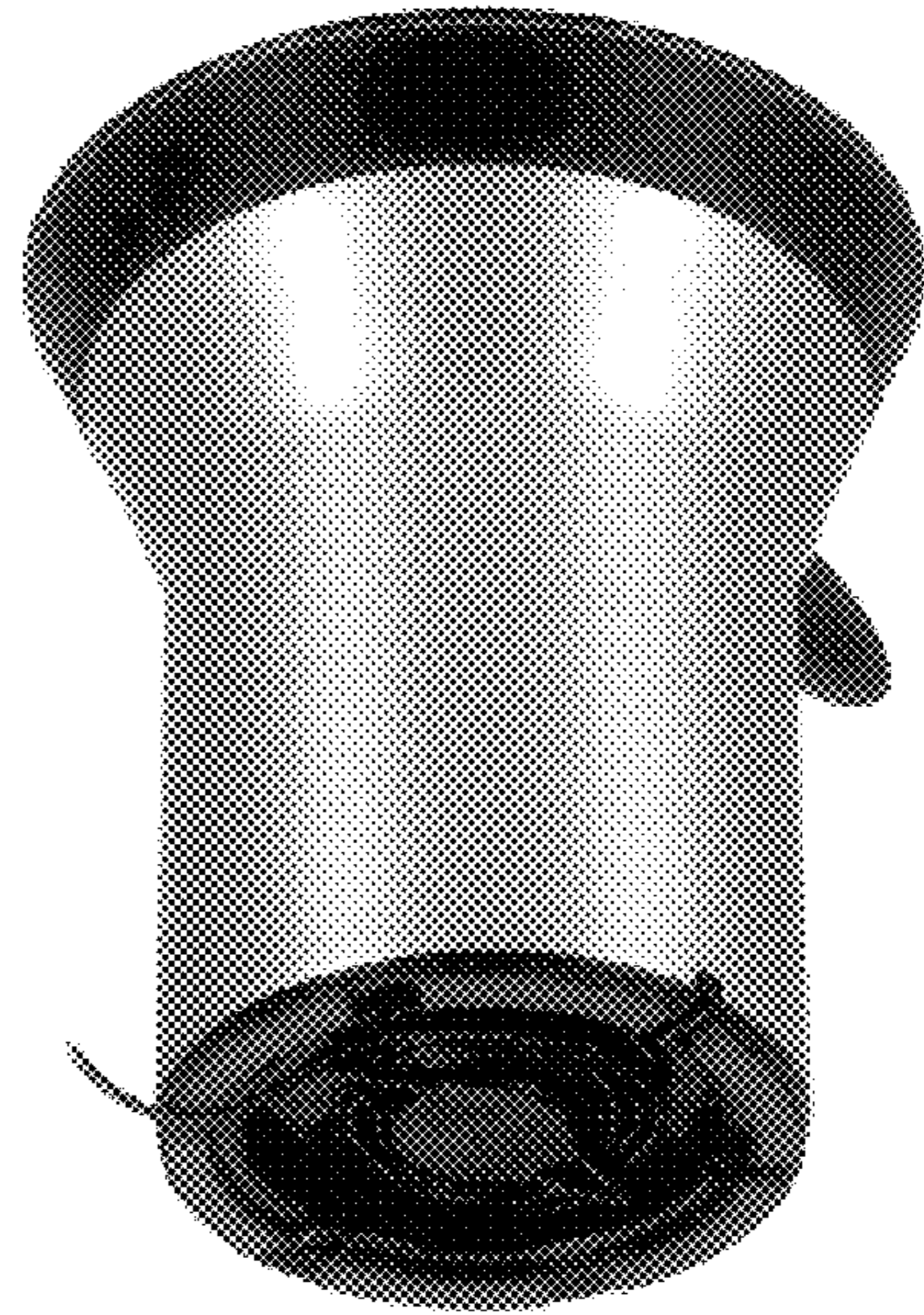


FIG 6

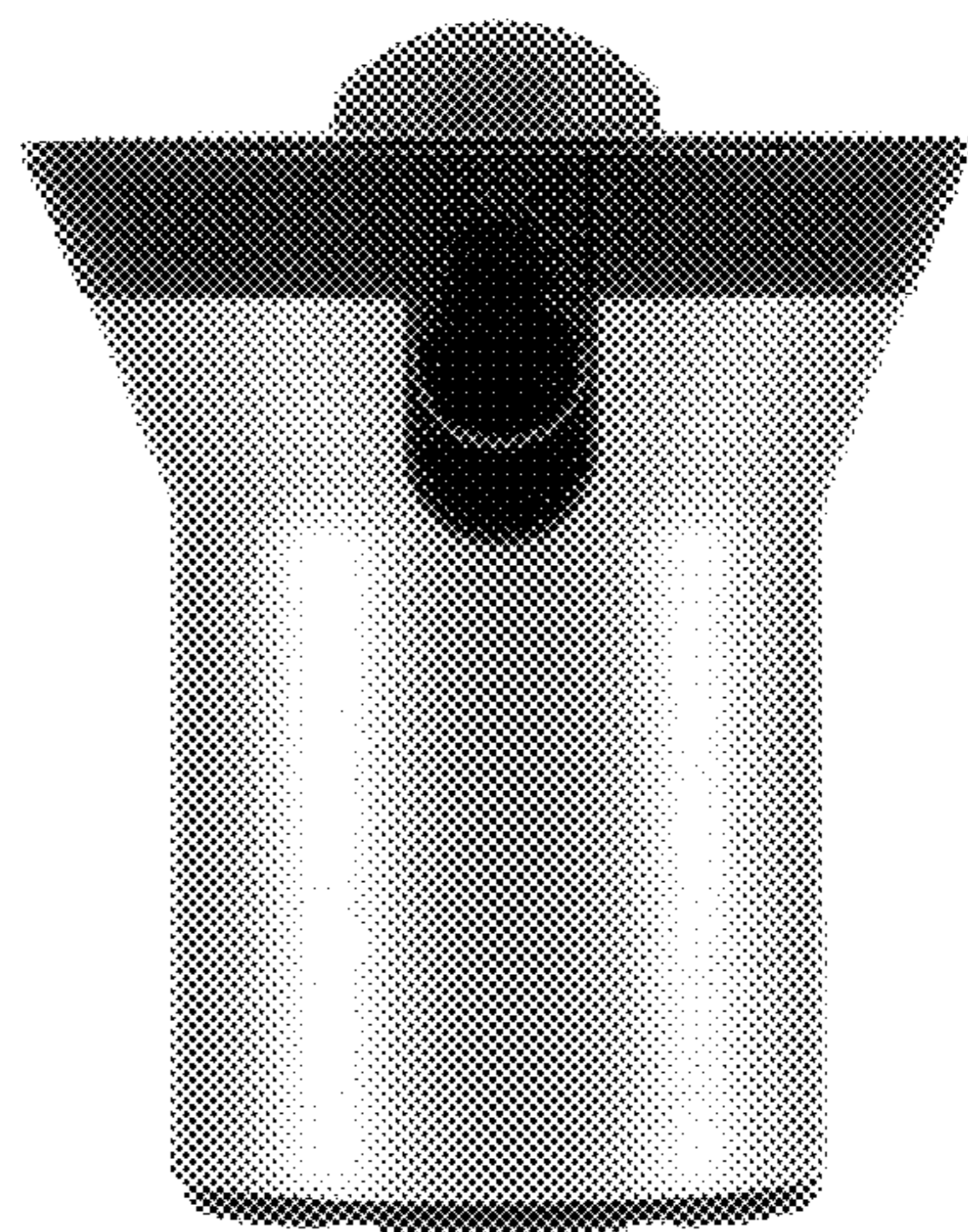


FIG 7

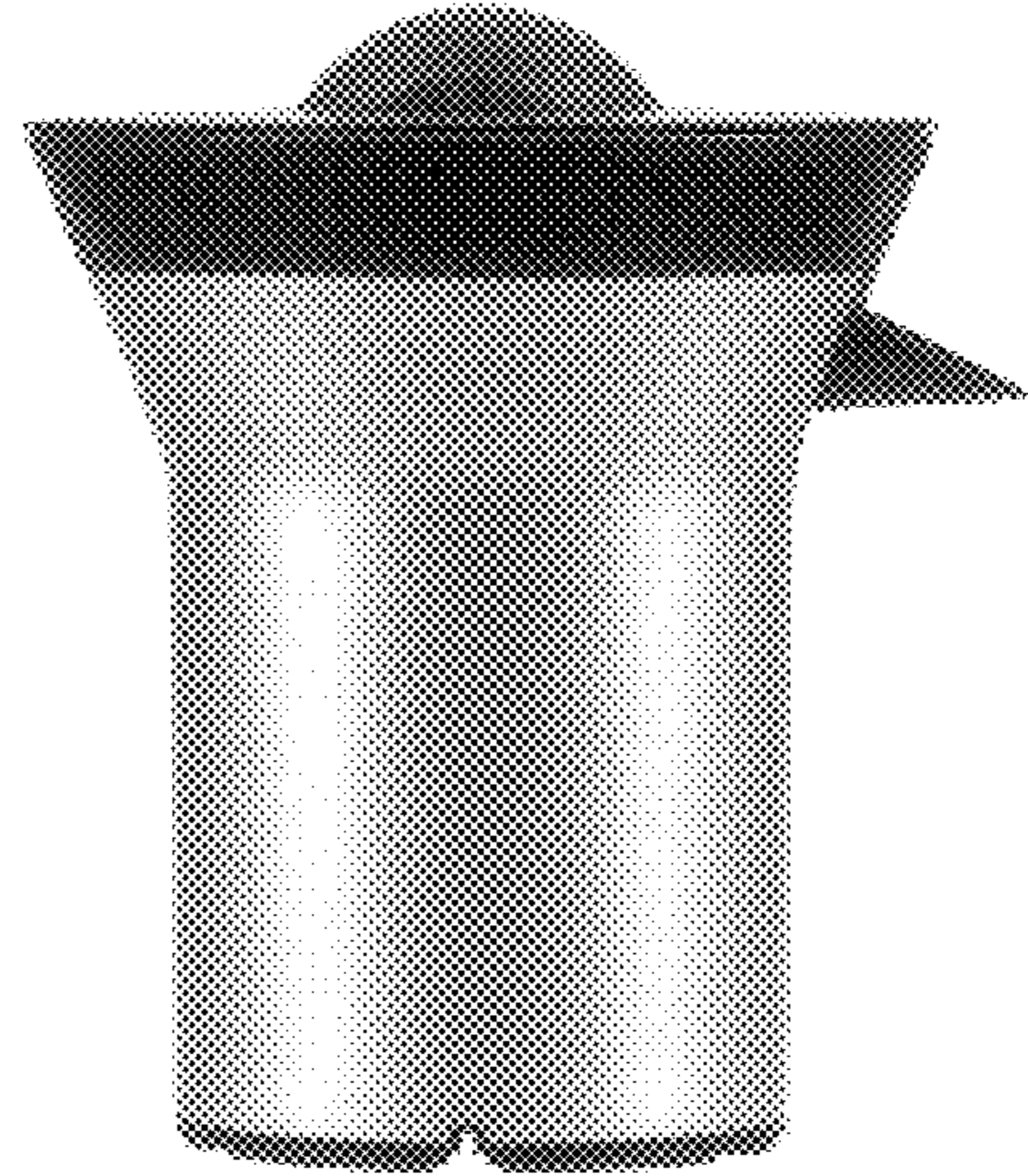


FIG 8

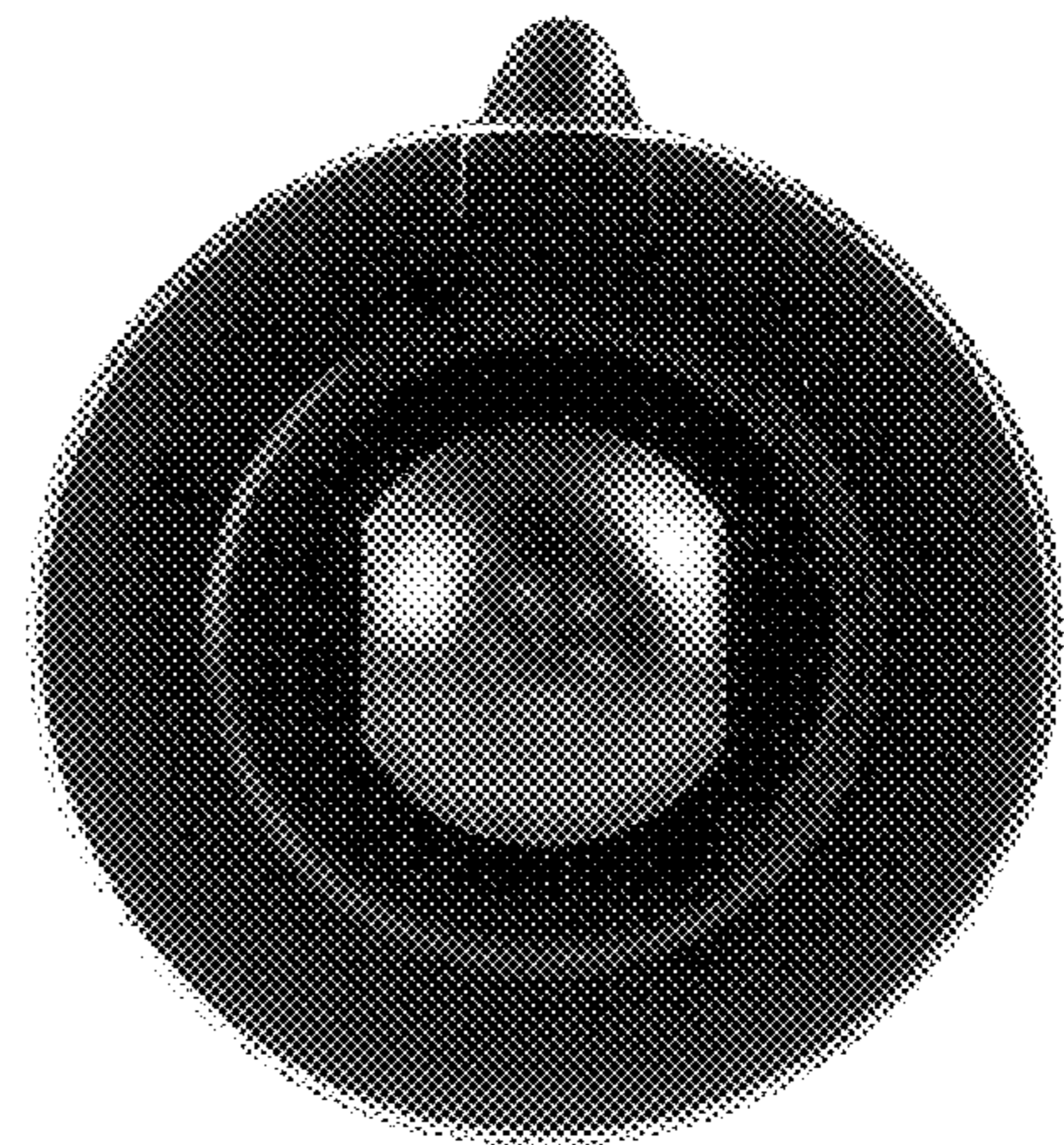


FIG 9

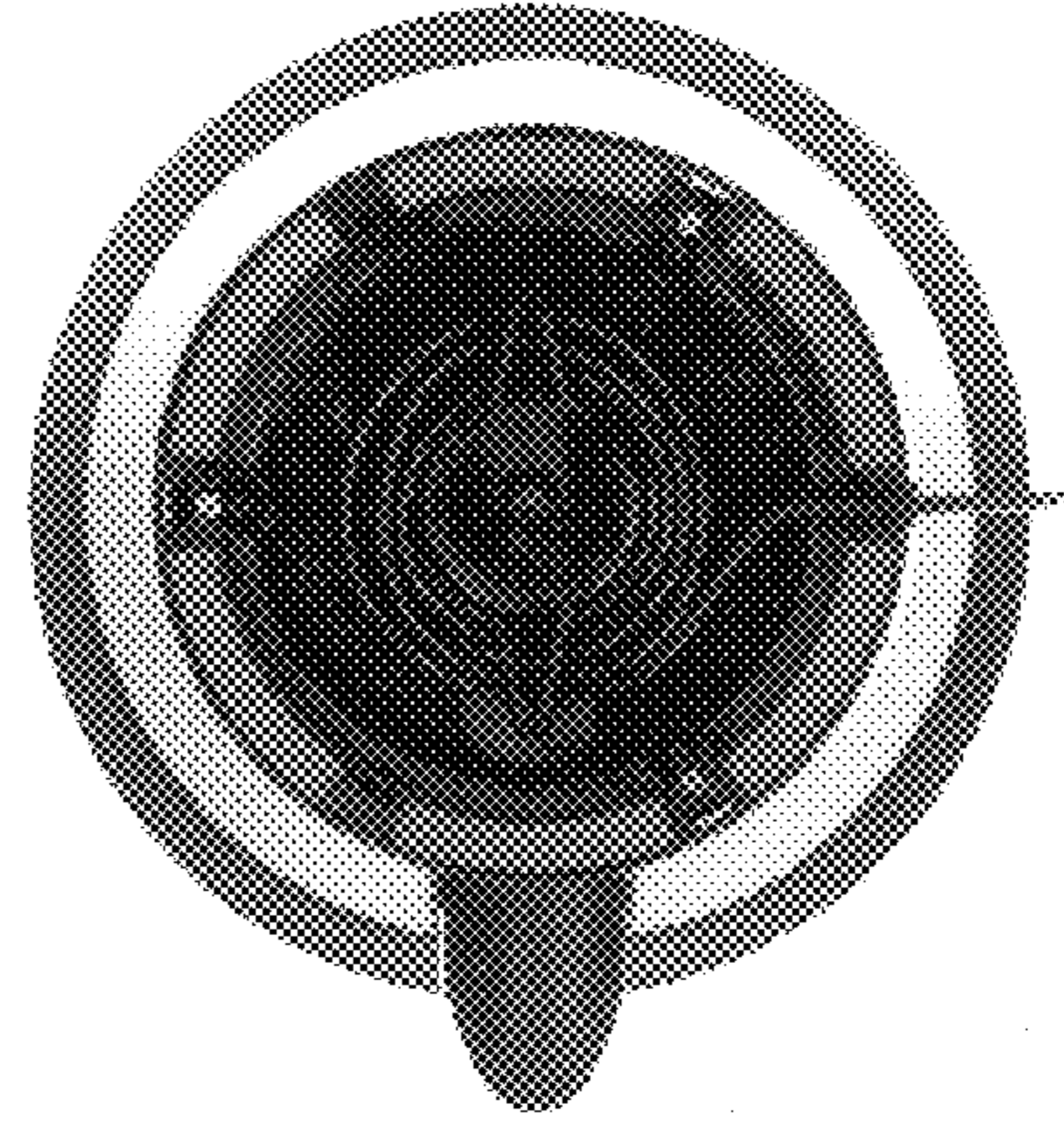


FIG 10

