



US00D472773S

(12) **United States Design Patent**  
**Samartgis**

(10) **Patent No.:** **US D472,773 S**

(45) **Date of Patent:** **\*\* Apr. 8, 2003**

(54) **DOUBLE DECKER LUNCH BOX**

(74) *Attorney, Agent, or Firm*—Milde & Hoffberg, LLP

(76) **Inventor:** **Jim Samartgis**, 31 Bainbridge Drive,  
Eltham, 3095, Victoria (AU)

(57) **CLAIM**

(\*\*) **Term:** **14 Years**

The ornamental design for a double decker lunch box, as shown and described.

(21) **Appl. No.:** **29/156,616**

**DESCRIPTION**

(22) **Filed:** **Mar. 4, 2002**

(51) **LOC (7) Cl.** ..... **07-01**

(52) **U.S. Cl.** ..... **D7/629; D9/425**

(58) **Field of Search** ..... D7/601, 602, 629,  
D7/538-542; D3/201, 203, 206, 273, 274;  
D9/414, 424-432; 215/10; 220/23.83, 281,  
662, 675, 780-788, 792-799, 805

FIG. 1 is a perspective view of the double decker lunch box according to my design, as seen from above.

FIG. 2 is a perspective view of the double decker lunch box of FIG. 1, as seen from below.

FIG. 3 is a perspective view of the double decker lunch box of FIG. 1, as seen from above, with parts separated.

FIG. 4 is a perspective view of the double decker lunch box of FIG. 1, as seen from below, with parts separated.

FIG. 5 is a top view of the double decker lunch box of FIG. 1.

FIG. 6 is a side view of the double decker lunch box of FIG. 1.

FIG. 7 is an end view of the double decker lunch box of FIG. 1.

FIG. 8 is an underneath view of the double decker lunch box of FIG. 1.

FIG. 9 is a partial sectional view of the double decker lunch box of FIG. 1; and,

FIG. 10 is a partial sectional view of the double decker lunch box of FIG. 1, with parts separated.

(56) **References Cited**

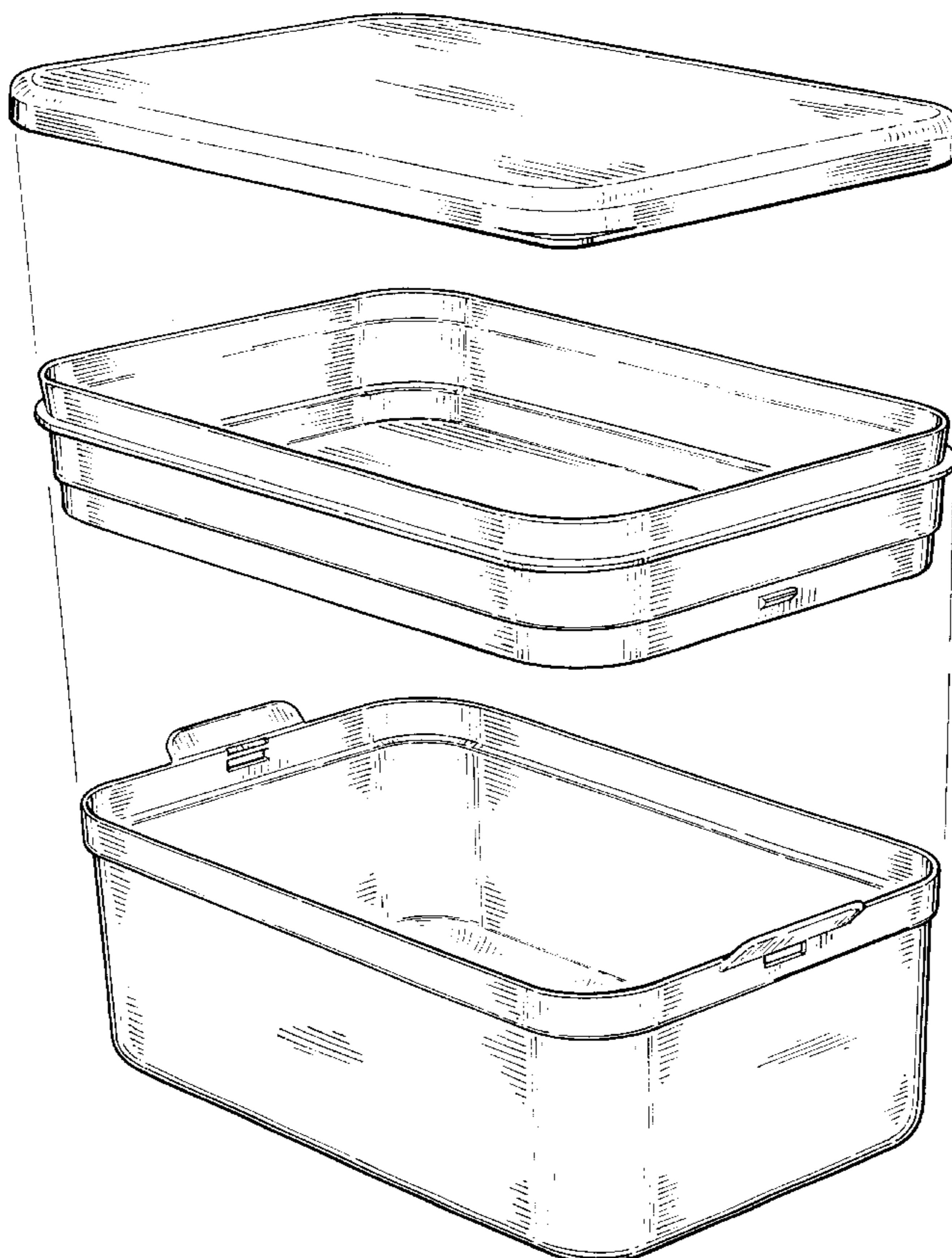
**U.S. PATENT DOCUMENTS**

1,542,115	A	*	6/1925	Weis	.....	220/23.83	X
2,396,346	A	*	3/1946	Roody, Jr.	.....	D7/614	X
3,589,554	A	*	6/1971	Smith	.....	220/23.83	
D235,195	S	*	5/1975	Sauey, Jr. et al.	.....	D9/425	X
D279,952	S	*	8/1985	Daenen et al.	.....	D7/629	
5,082,115	A	*	1/1992	Hutcheson	.....	220/23.83	X
D379,138	S	*	5/1997	Carlson	.....	D7/629	

\* cited by examiner

*Primary Examiner*—Terry A. Wallace

**1 Claim, 9 Drawing Sheets**



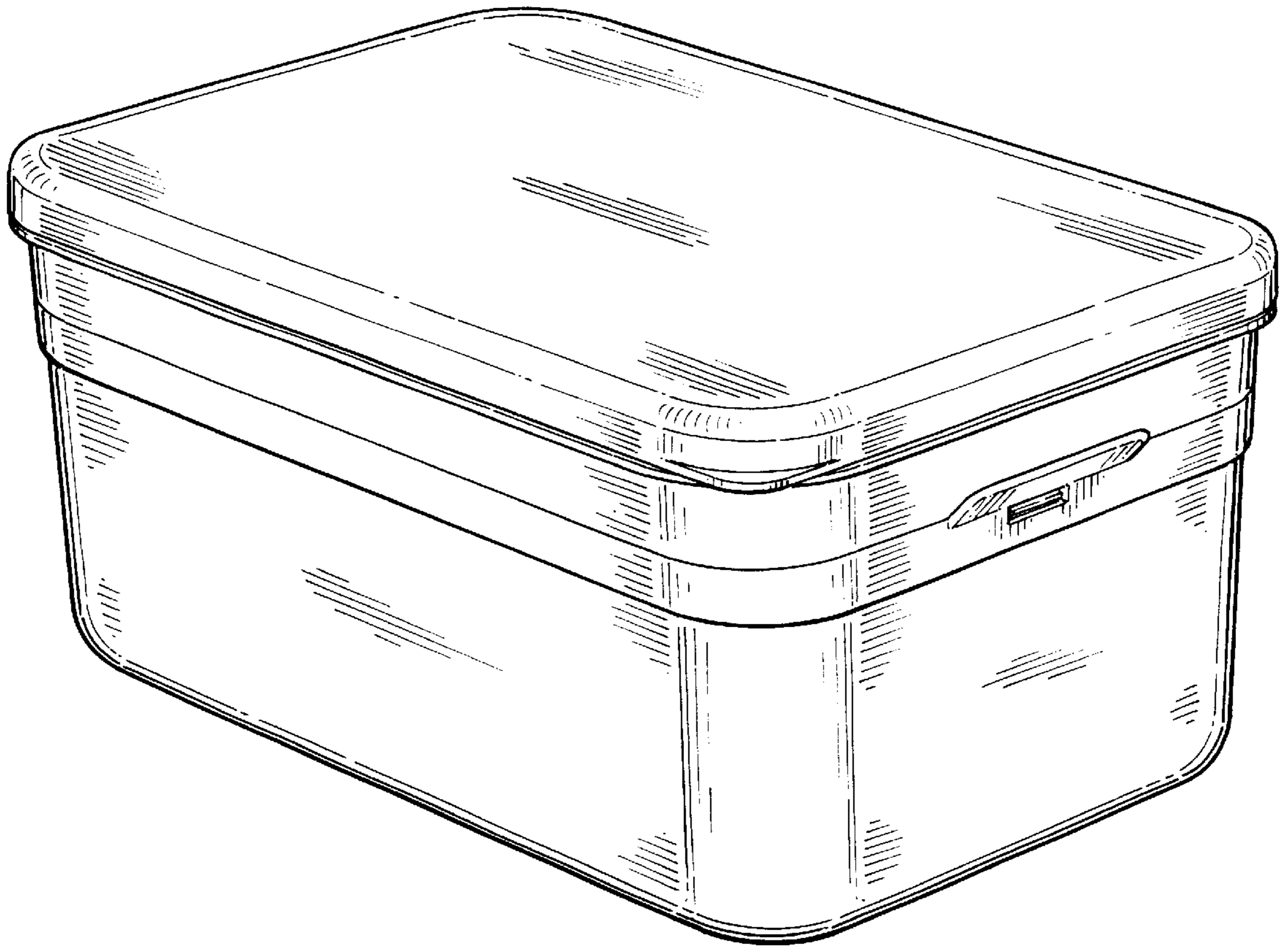


FIG. 1.

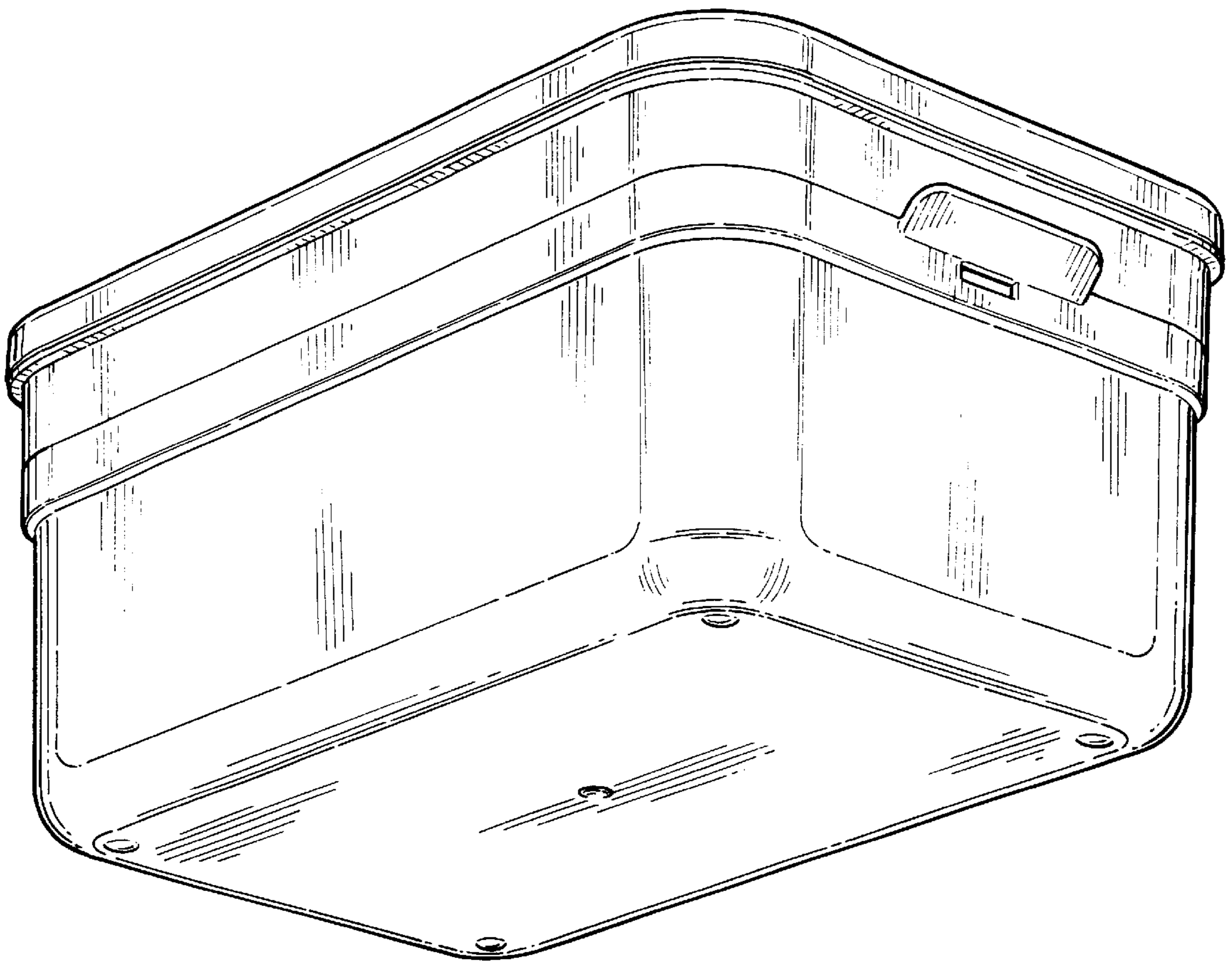


FIG. 2.



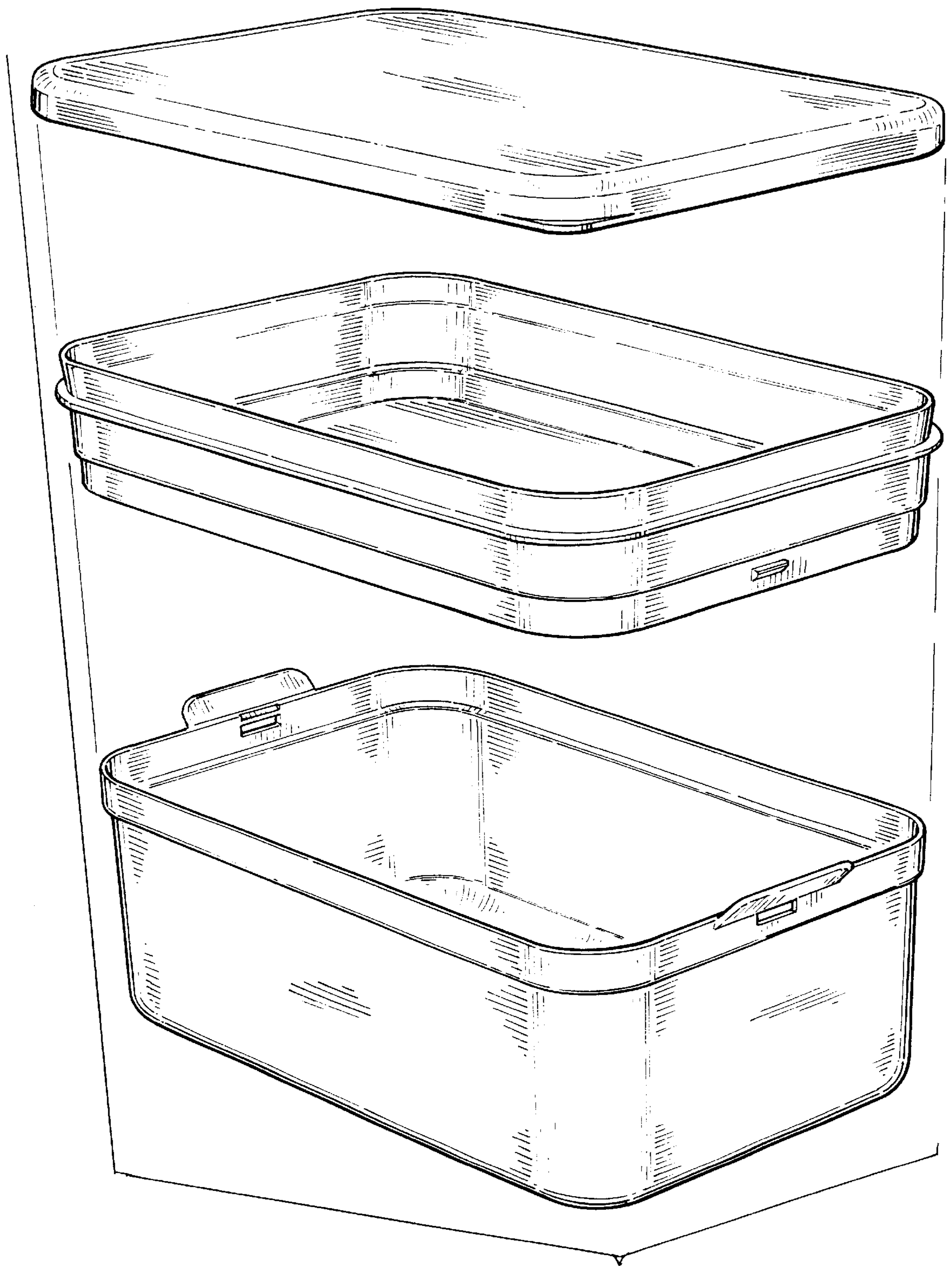


FIG. 3.

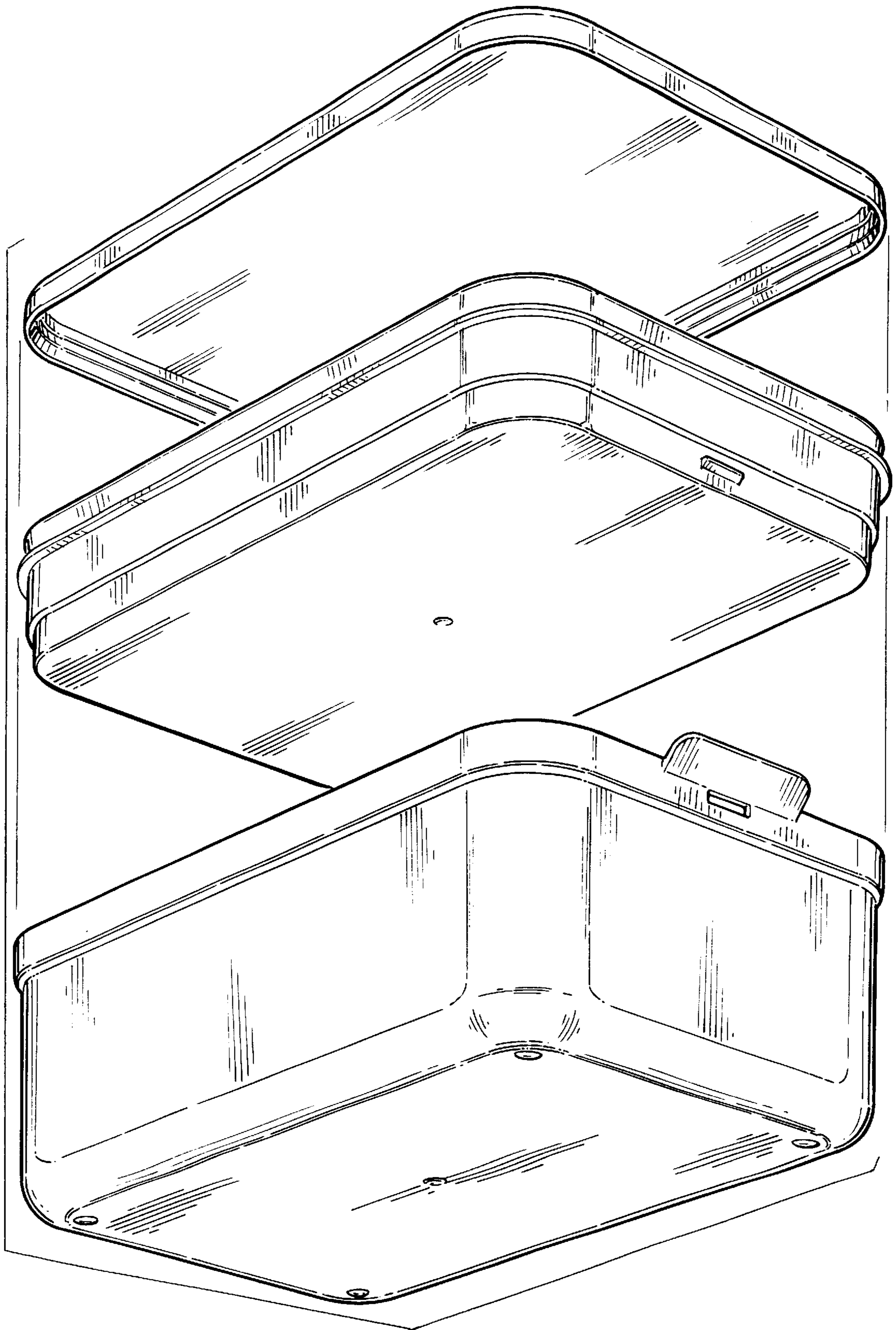


FIG. 4.

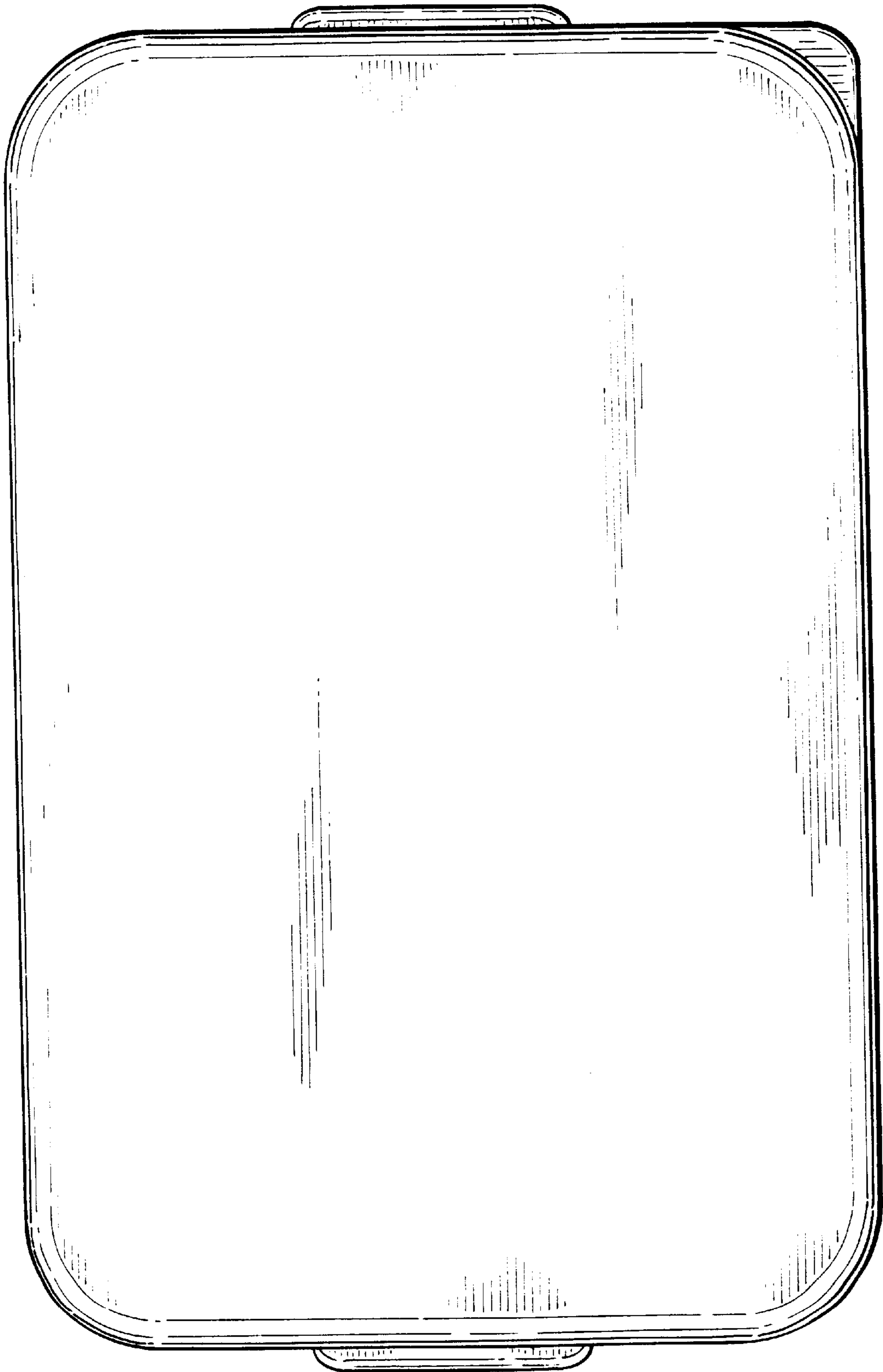


FIG. 5.

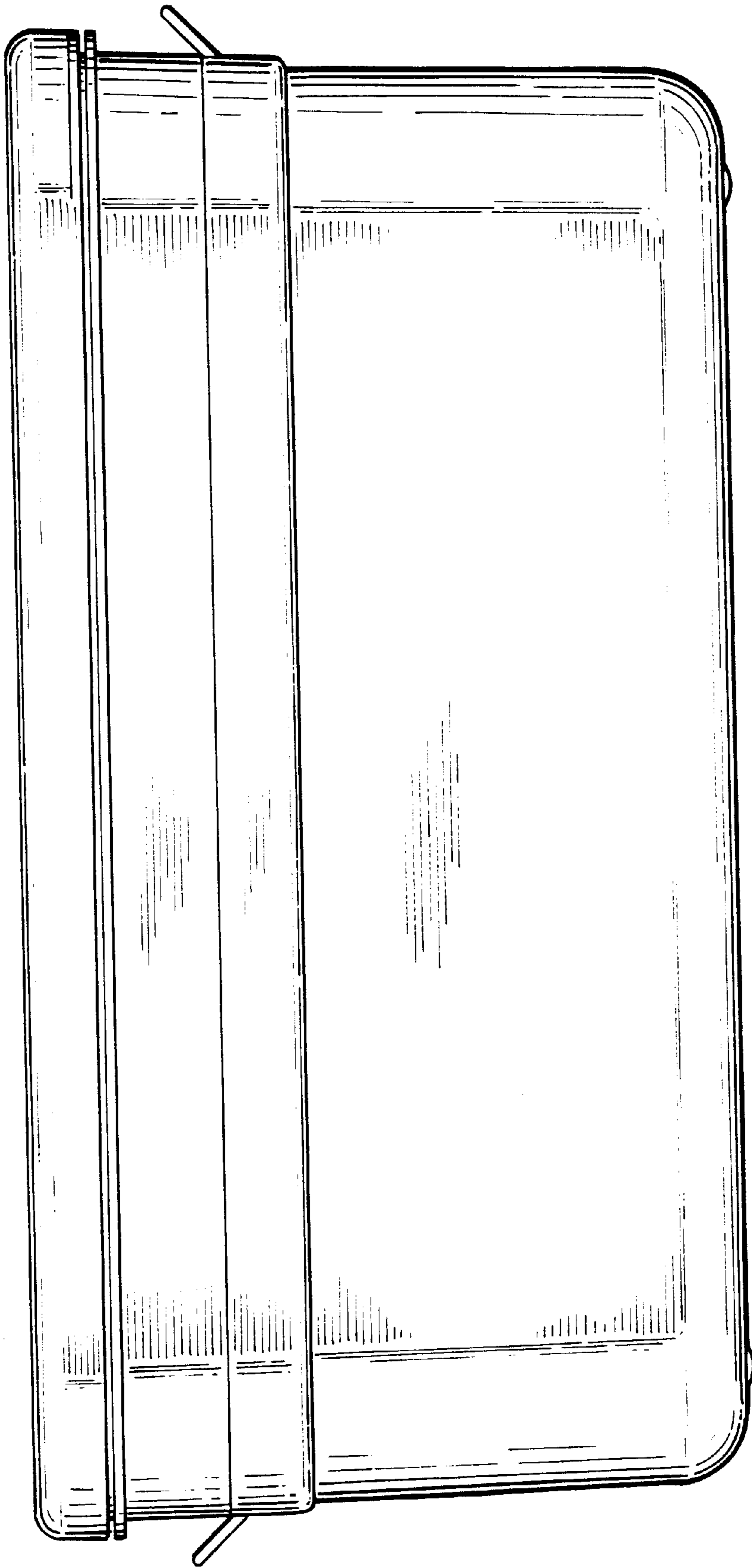


FIG. 6.



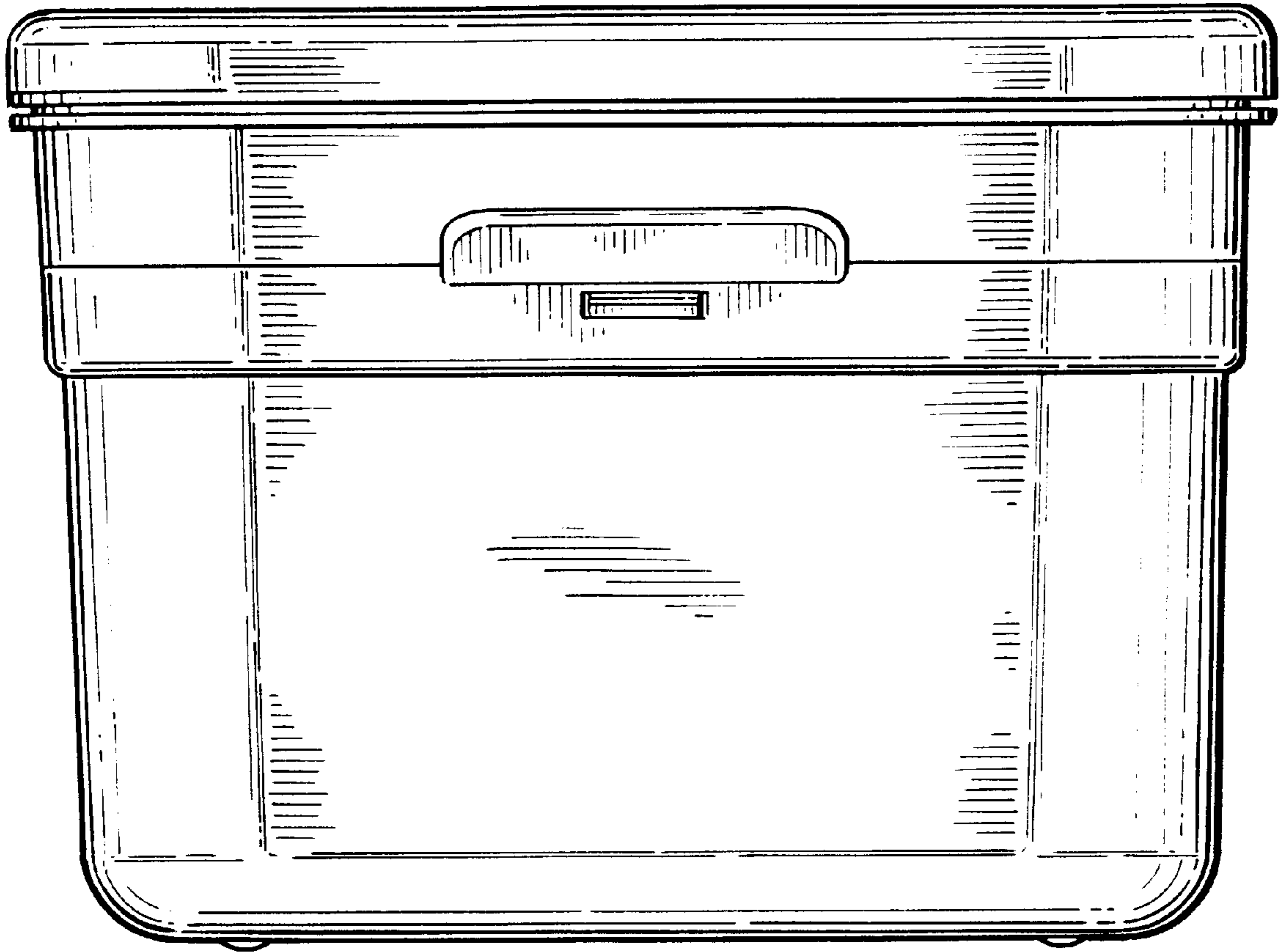
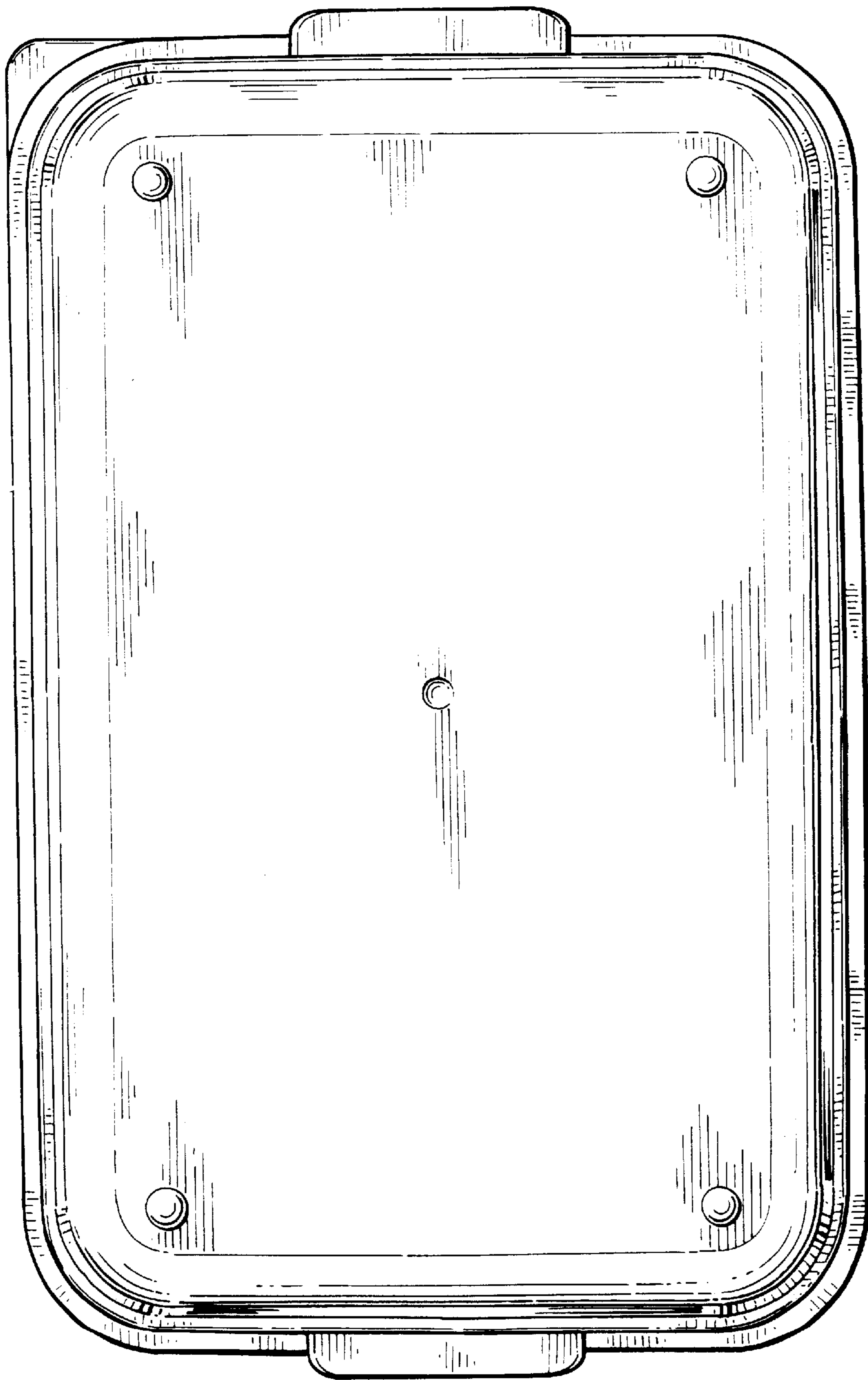


FIG. 7.





*FIG. 8.*

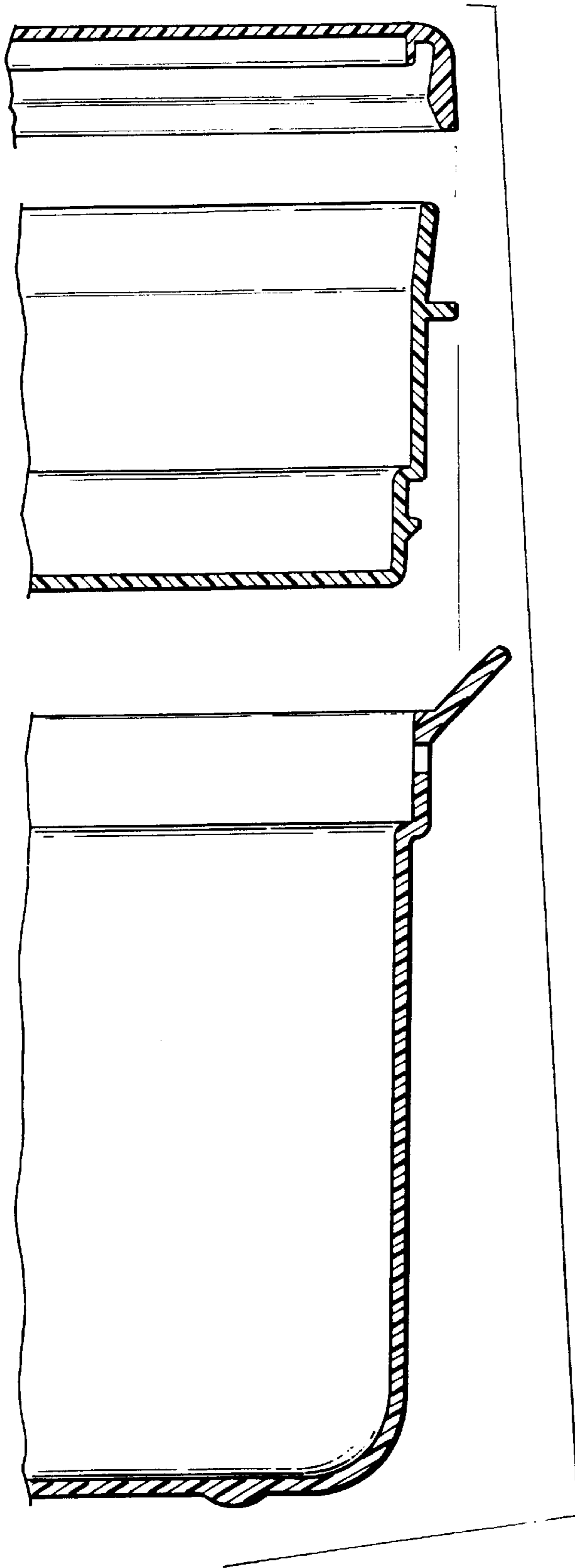


FIG. 10.

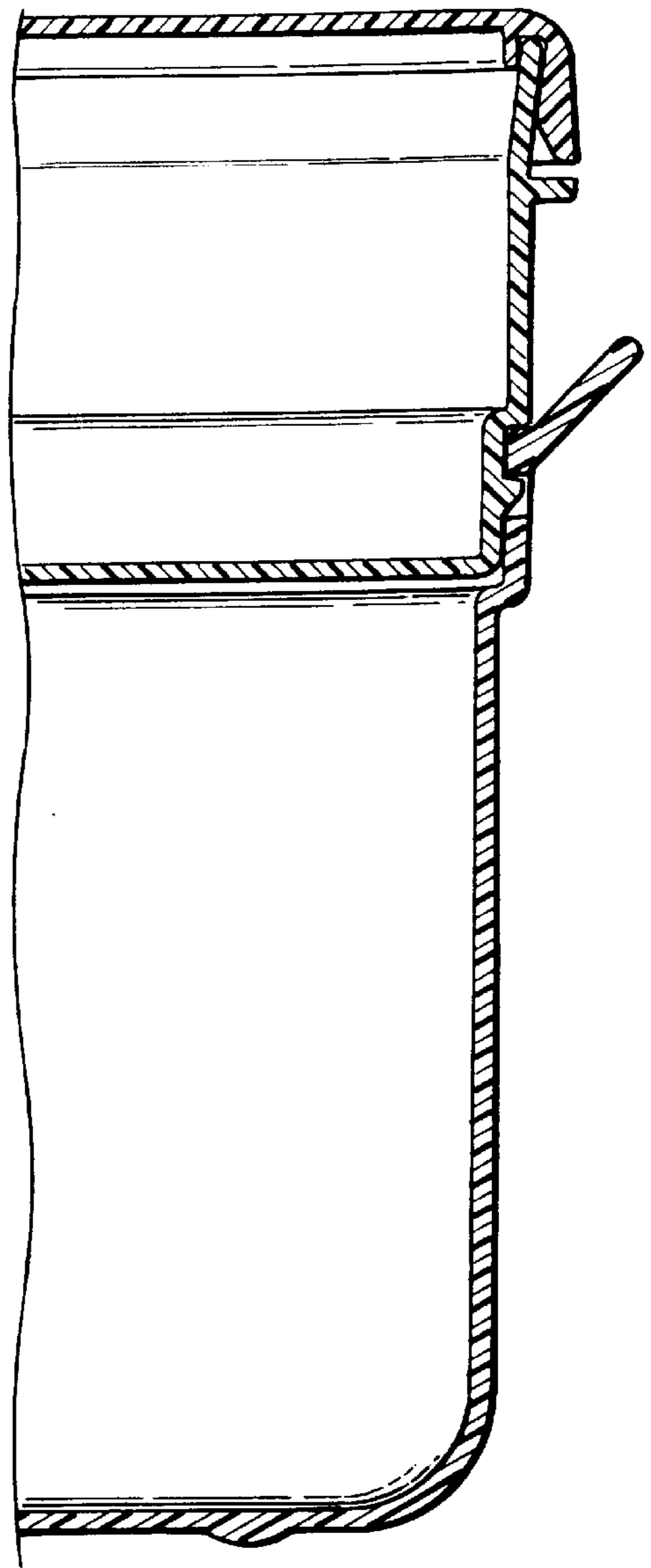


FIG. 9.