



US00D472771S

(12) **United States Design Patent**  
**McGuyer**

(10) **Patent No.:** **US D472,771 S**

(45) **Date of Patent:** **\*\* Apr. 8, 2003**

(54) **TURNTABLE FOR CONDIMENT STORAGE AND DISPENSING CAROUSEL**

(75) **Inventor:** **Carter W. McGuyer**, Muscle Shoals, AL (US)

(73) **Assignee:** **Robbins Industries, Inc.**, Florence, AL (US)

(\*\*) **Term:** **14 Years**

(21) **Appl. No.:** **29/163,839**

(22) **Filed:** **Jul. 12, 2002**

4,594,860 A	6/1986	Coellner et al.
D290,573 S	6/1987	Drummond, Jr. et al.
4,775,055 A	* 10/1988	Morse ..... 211/78
5,031,779 A	7/1991	Szenay et al.
D321,627 S	11/1991	Plough
5,255,824 A	10/1993	Filella Pablos
5,335,804 A	8/1994	Flory
5,440,785 A	8/1995	McDonald
D363,354 S	10/1995	Start et al.
5,524,775 A	6/1996	Kaine
D392,852 S	3/1998	Weterrings et al.
D402,849 S	12/1998	Weterrings et al.
D403,923 S	1/1999	Weterrings et al.
D407,610 S	4/1999	Weterrings et al.
D409,046 S	5/1999	Weterrings et al.

**Related U.S. Application Data**

(62) Division of application No. 29/149,809, filed on Oct. 17, 2001.

(51) **LOC (7) Cl.** ..... **07-06**

(52) **U.S. Cl.** ..... **D7/600**

(58) **Field of Search** ..... D7/501, 590, 600, D7/550-557, 701, 705-708, 401.1; D6/457, 469; 206/372, 562; 211/71.01, 74, 77, 78, 126.1, 144

(56) **References Cited**

**U.S. PATENT DOCUMENTS**

1,977,092 A	10/1934	Scurlock
1,978,695 A	10/1934	Clark
2,030,899 A	2/1936	Scurlock
2,052,801 A	* 9/1936	Russakov ..... 211/77
2,110,921 A	3/1938	Scurlock
2,556,430 A	9/1951	Sobers
2,880,882 A	* 4/1959	Lipka ..... 211/77
D208,806 S	10/1967	Bliss
3,794,952 A	2/1974	Dowis
D232,341 S	8/1974	Mudde
D271,655 S	* 12/1983	Numbers ..... D7/707
D280,965 S	10/1985	Prophet, Jr. et al.
D283,479 S	4/1986	Swett et al.

**OTHER PUBLICATIONS**

“Handy Spice” Brochure (Instructions)—Distributed by Tristar Products—Laureldale, Pennsylvania.

\* cited by examiner

*Primary Examiner*—Terry A. Wallace

(74) *Attorney, Agent, or Firm*—Kramer Levin Naftalis and Frankel LLP; Gregor N. Neff

(57) **CLAIM**

The ornamental design for a turntable for condiment storage and dispensing carousel, as shown and described.

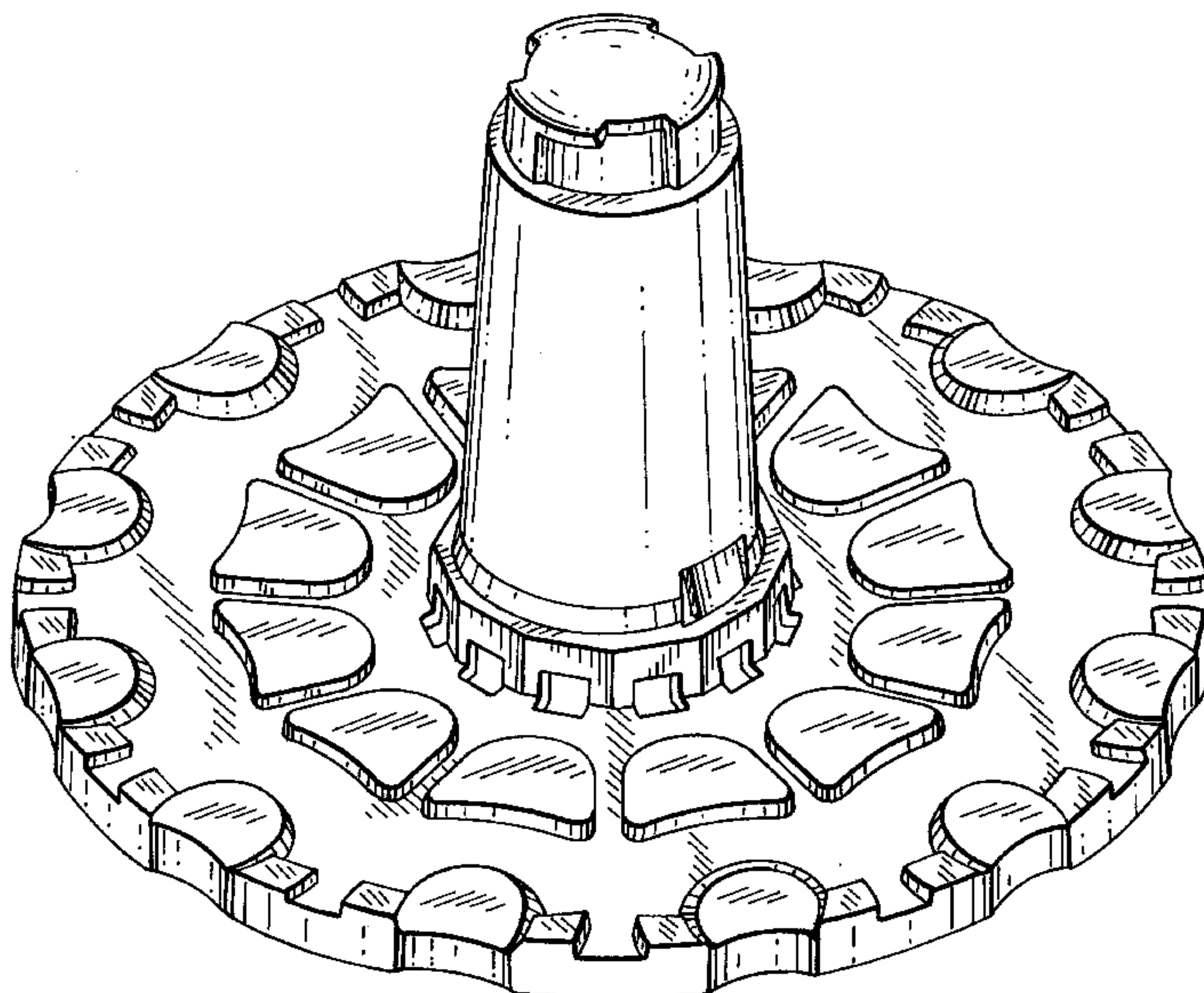
**DESCRIPTION**

FIG. 1 is a perspective view of a turntable for a condiment storage and dispensing carousel, the turntable being symmetrical about its central vertical axis, and the bottom surface of the turntable being unadorned;

FIG. 2 is a top plan view of the turntable shown in FIG. 1; and,

FIG. 3 is a side elevation view of the turntable shown in FIGS. 1 and 2.

**1 Claim, 3 Drawing Sheets**



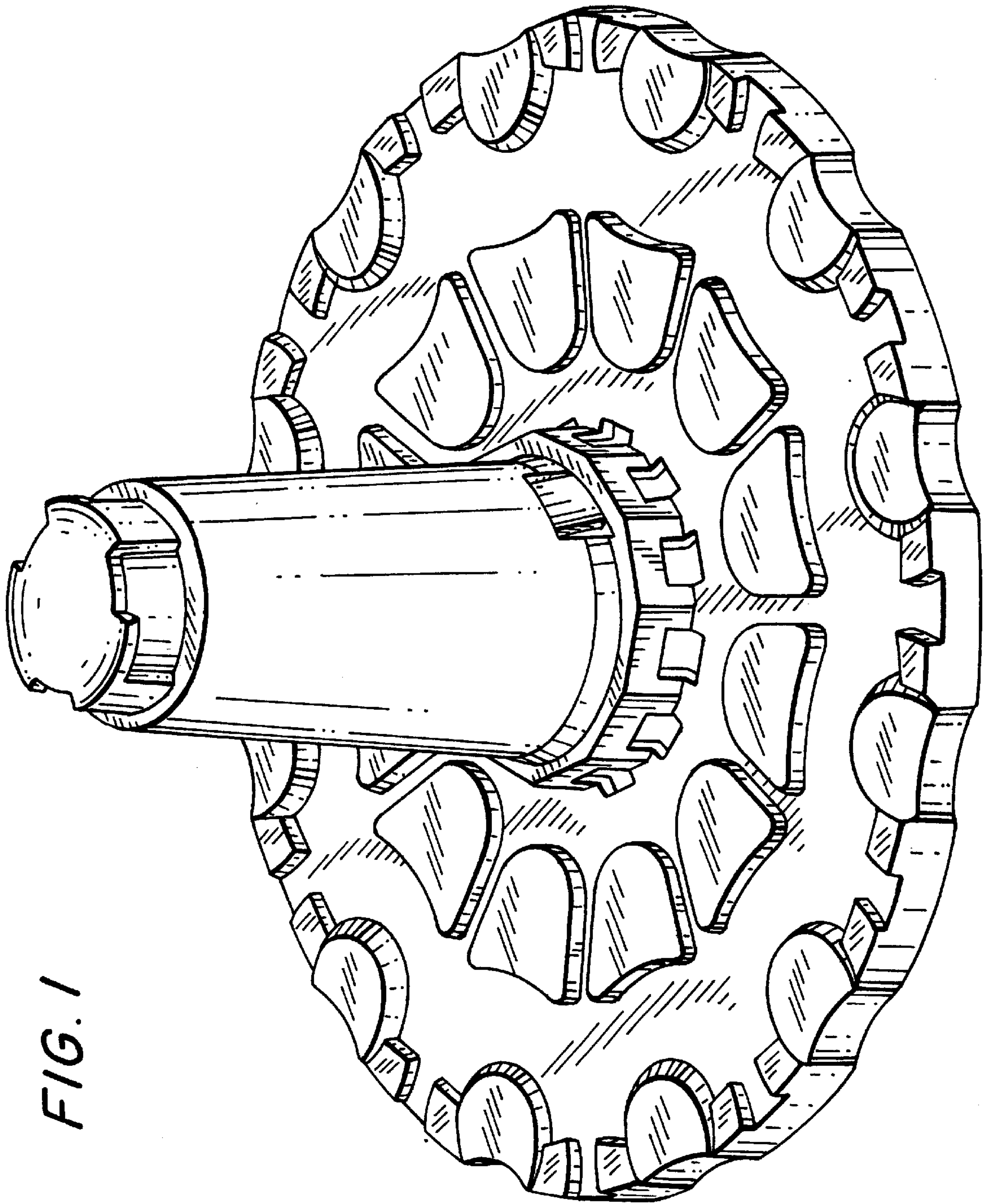


FIG. 1

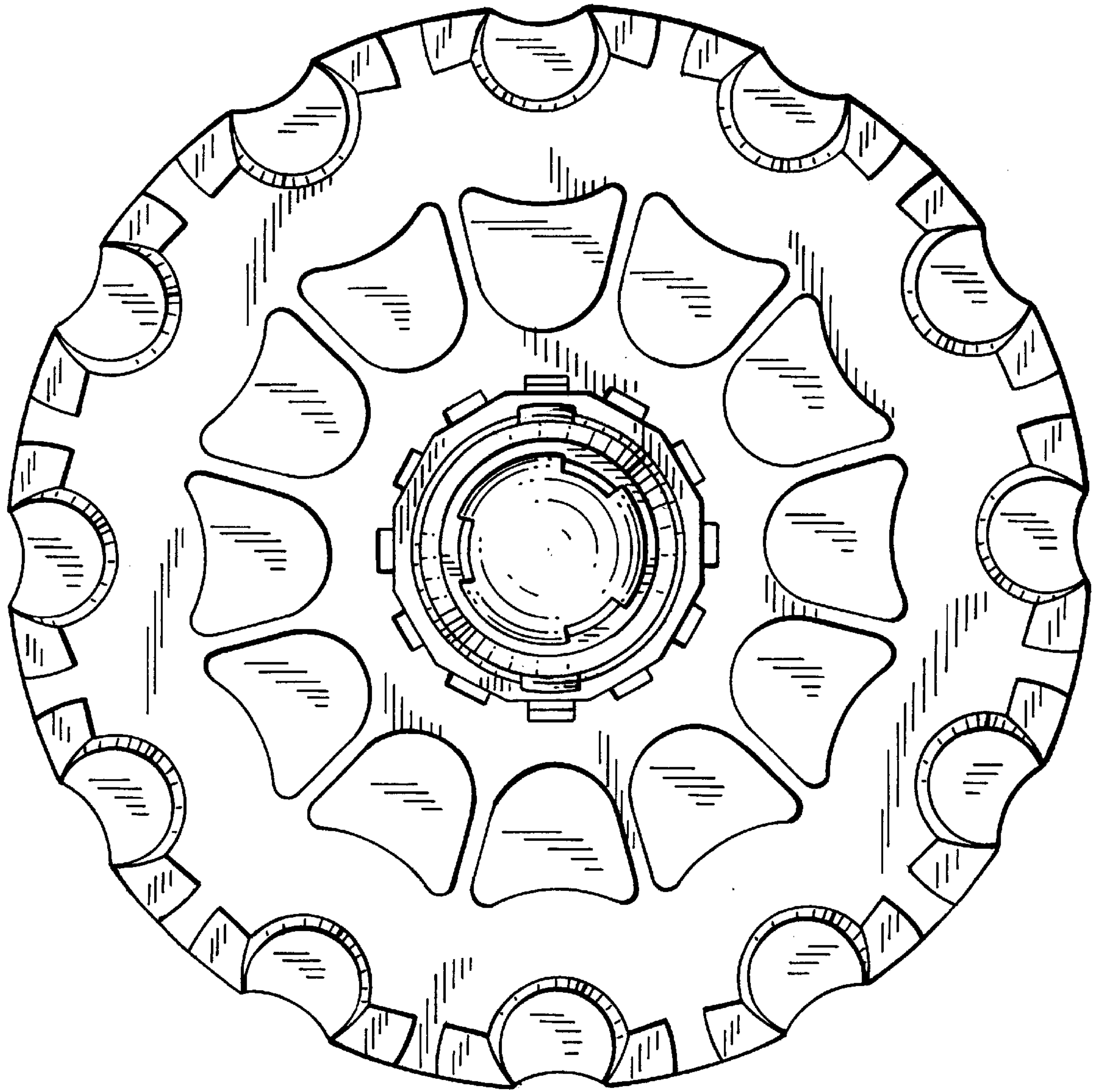


FIG. 2



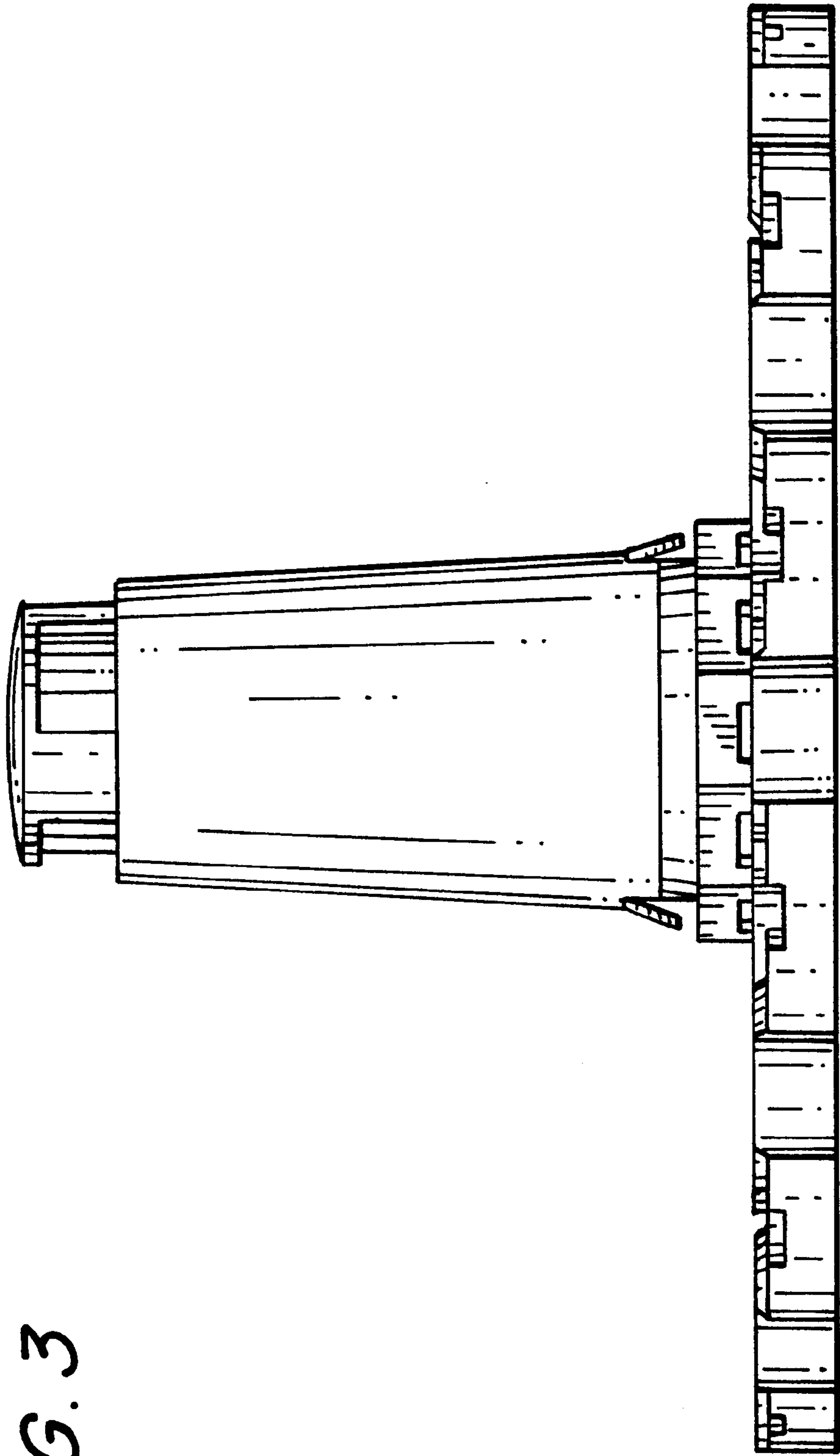


FIG. 3