



US00D472767S

(12) **United States Design Patent**  
**Gebhardt et al.**

(10) **Patent No.:** **US D472,767 S**

(45) **Date of Patent:** **\*\* Apr. 8, 2003**

(54) **SERVICE TRAY**  
(75) Inventors: **Paul E. Gebhardt**, Oneida, NY (US);  
**Theodore P. Junko**, Manlius, NY (US)  
(73) Assignee: **Oneida, Ltd.**, Oneida, NY (US)  
(\*\*) Term: **14 Years**

D207,593 S \* 5/1967 Douglas ..... D7/545  
D219,050 S \* 10/1970 Beckman ..... D7/545  
D251,469 S \* 4/1979 Elliott et al. .... D7/545  
D296,968 S \* 8/1988 Pozzi ..... D7/545  
D331,709 S \* 12/1992 Nardin ..... D10/47  
D405,646 S \* 2/1999 Indekeu ..... D7/545  
6,010,005 A \* 1/2000 Reames et al. .... 206/557  
D434,606 S \* 12/2000 Reames et al. .... D7/550.1  
D436,495 S \* 1/2001 Ferrer ..... D7/360  
D461,995 S \* 8/2002 Massaloux et al. .... D7/554.3

(21) Appl. No.: **29/149,258**  
(22) Filed: **Oct. 5, 2001**

\* cited by examiner

(51) **LOC (7) Cl.** ..... **07-01**  
(52) **U.S. Cl.** ..... **D7/552.1; D7/554.3; D7/554.4;**  
**D7/545**

*Primary Examiner*—M. N. Pandozzi  
(74) *Attorney, Agent, or Firm*—Wall Marjama & Bilinski  
LLP

(58) **Field of Search** ..... D7/546, 543, 554.4,  
D7/550.1, 552.1, 554.3, 545, 558, 360,  
601, 602, 603, 553.6, 553.7, 554.2, 698;  
220/574, 575, 657, 506; 206/525, 564,  
557; 229/938; 211/14; D10/47

(57) **CLAIM**

The ornamental design for a service tray, as shown and described.

(56) **References Cited**

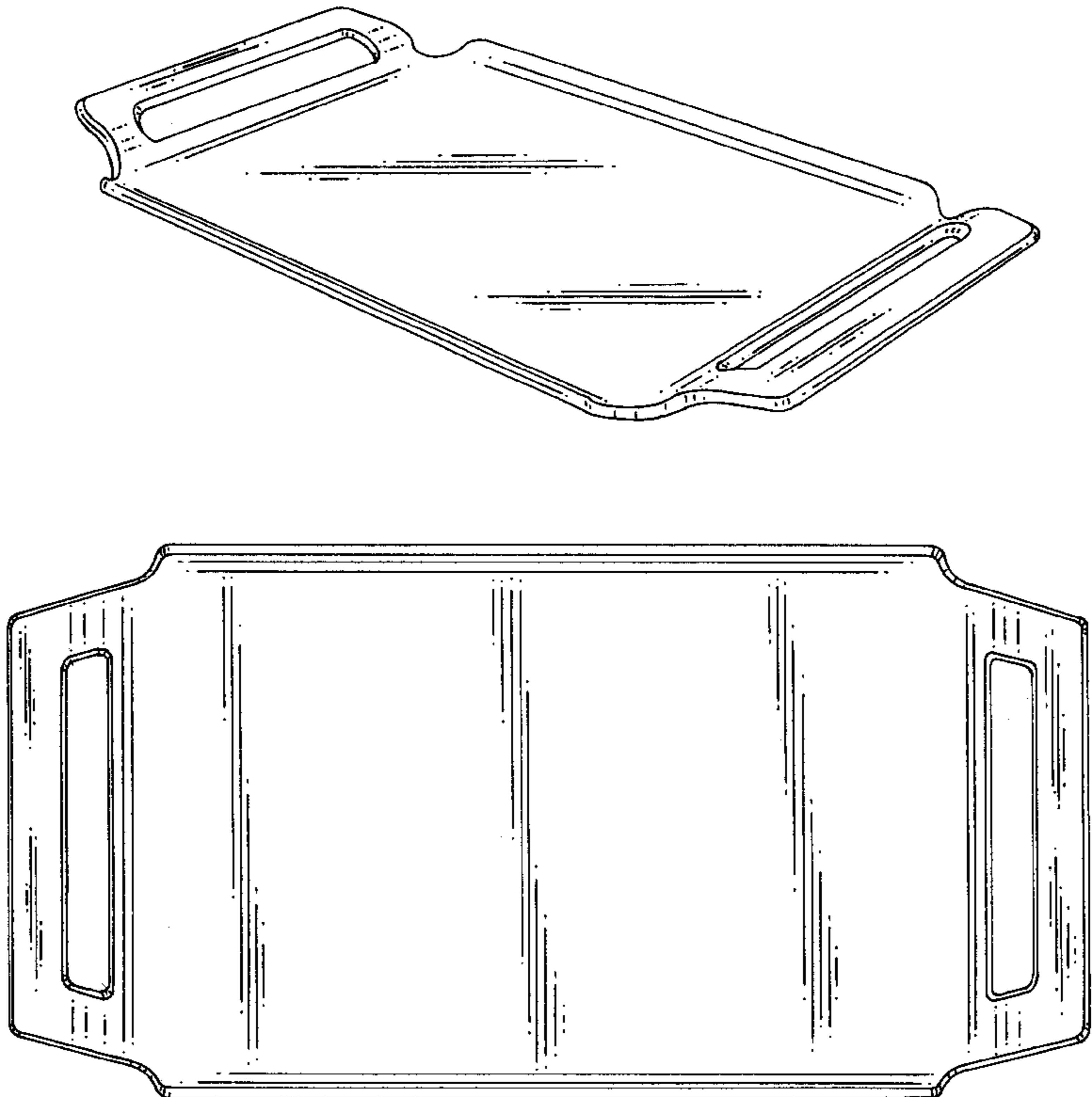
**DESCRIPTION**

**U.S. PATENT DOCUMENTS**

D97,662 S \* 12/1935 Ackerman ..... D7/545  
D101,465 S \* 10/1936 Knapp ..... D7/545  
D103,233 S \* 4/1937 Arenberg ..... D7/545  
D161,752 S \* 1/1951 Hart ..... D7/554.3  
D166,356 S \* 4/1952 Potchen ..... D7/545  
D173,120 S \* 9/1954 Levenhagen ..... D7/554.3  
D196,664 S \* 10/1963 Mustacchio ..... D7/545

FIG. 1 is a front perspective view of a service tray, illustrating our new Design;  
FIG. 2 is a top view thereof;  
FIG. 3 is a front elevational view thereof, the rear elevational view being a mirror image thereof;  
FIG. 4 is a right end view thereof, the left end view being a mirror image thereof; and,  
FIG. 5 is a bottom view thereof.

**1 Claim, 2 Drawing Sheets**



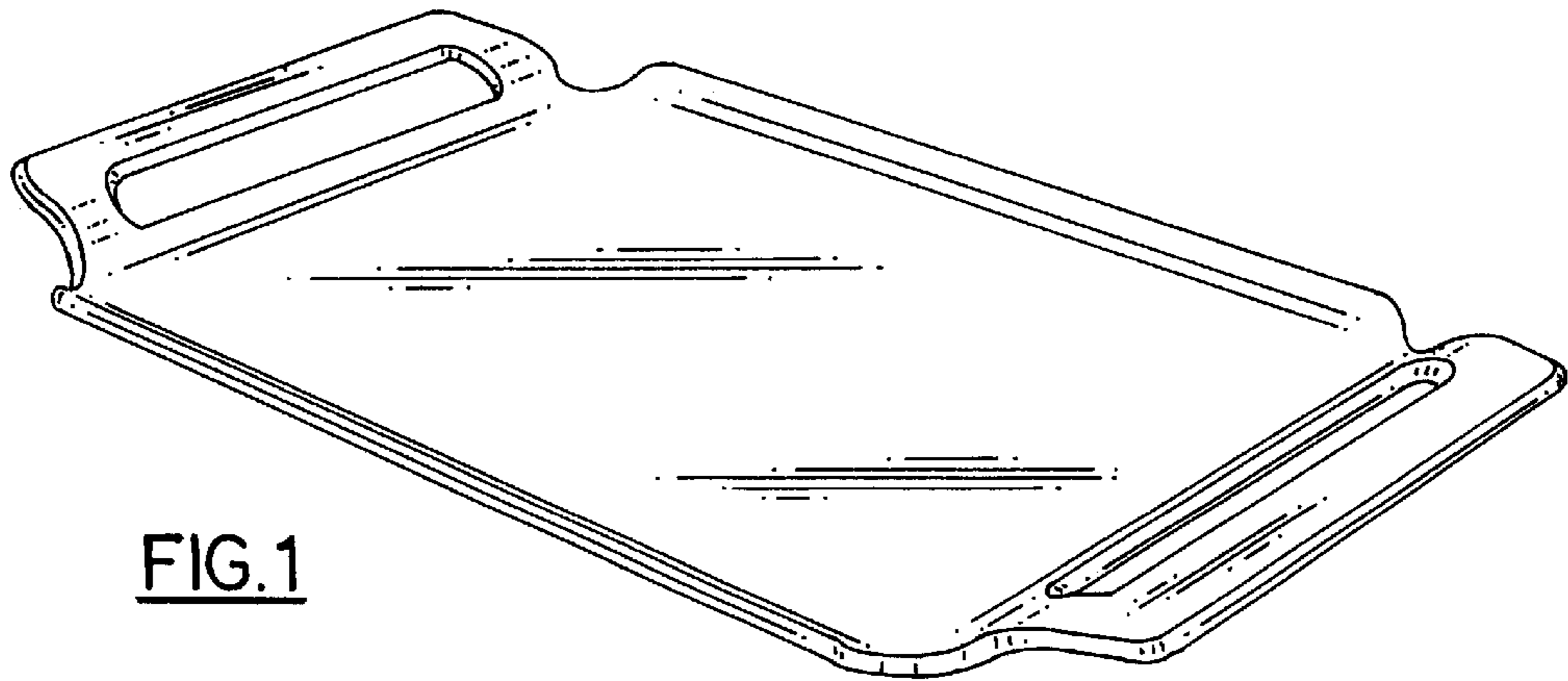


FIG. 1

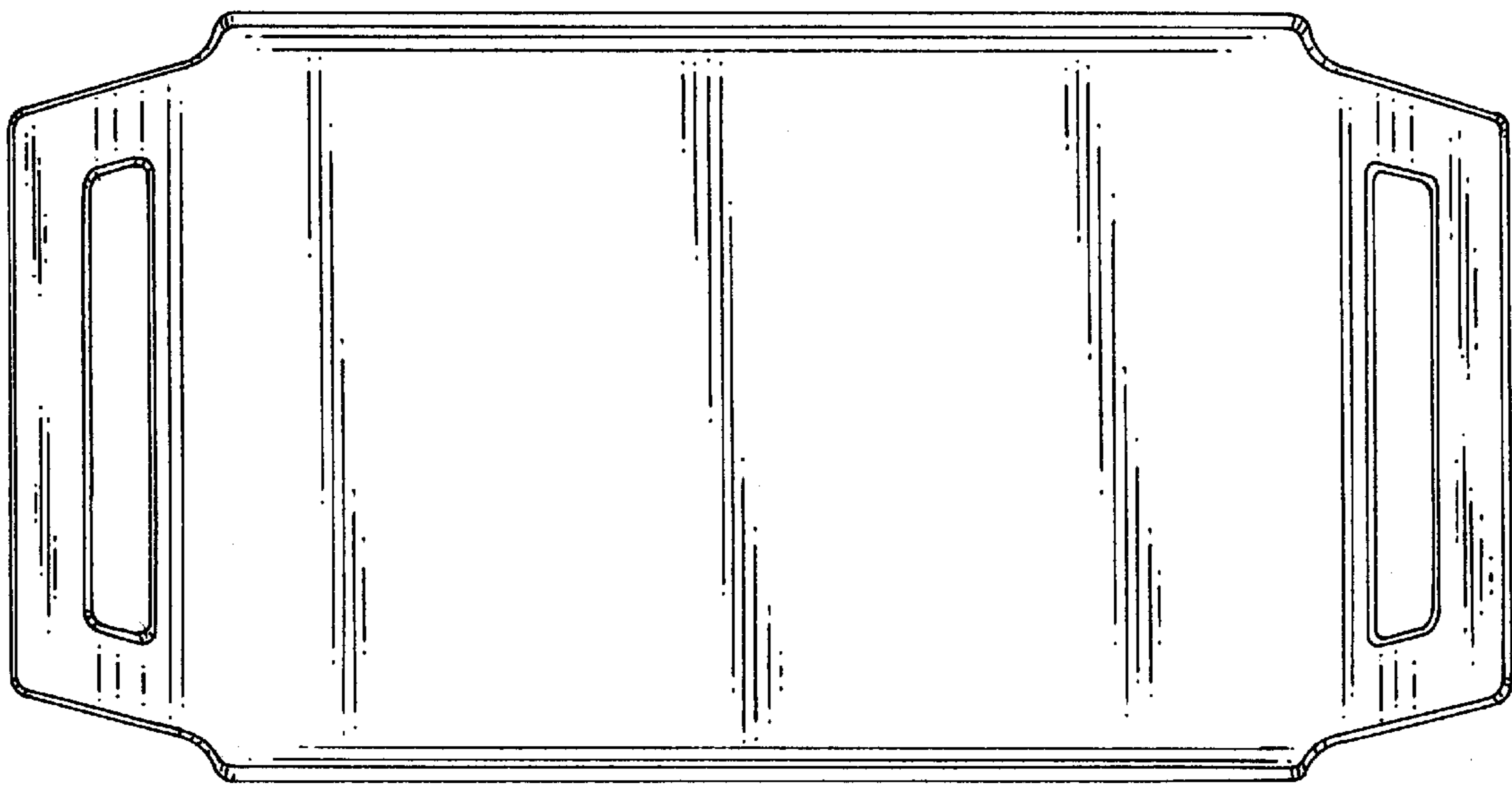


FIG. 2

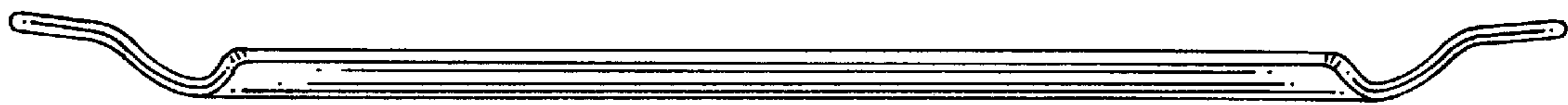


FIG. 3

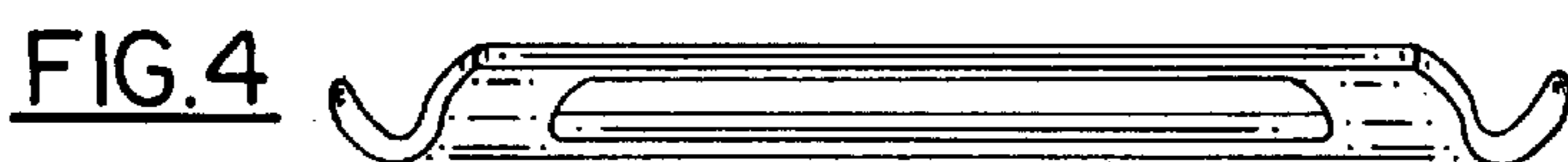


FIG. 4

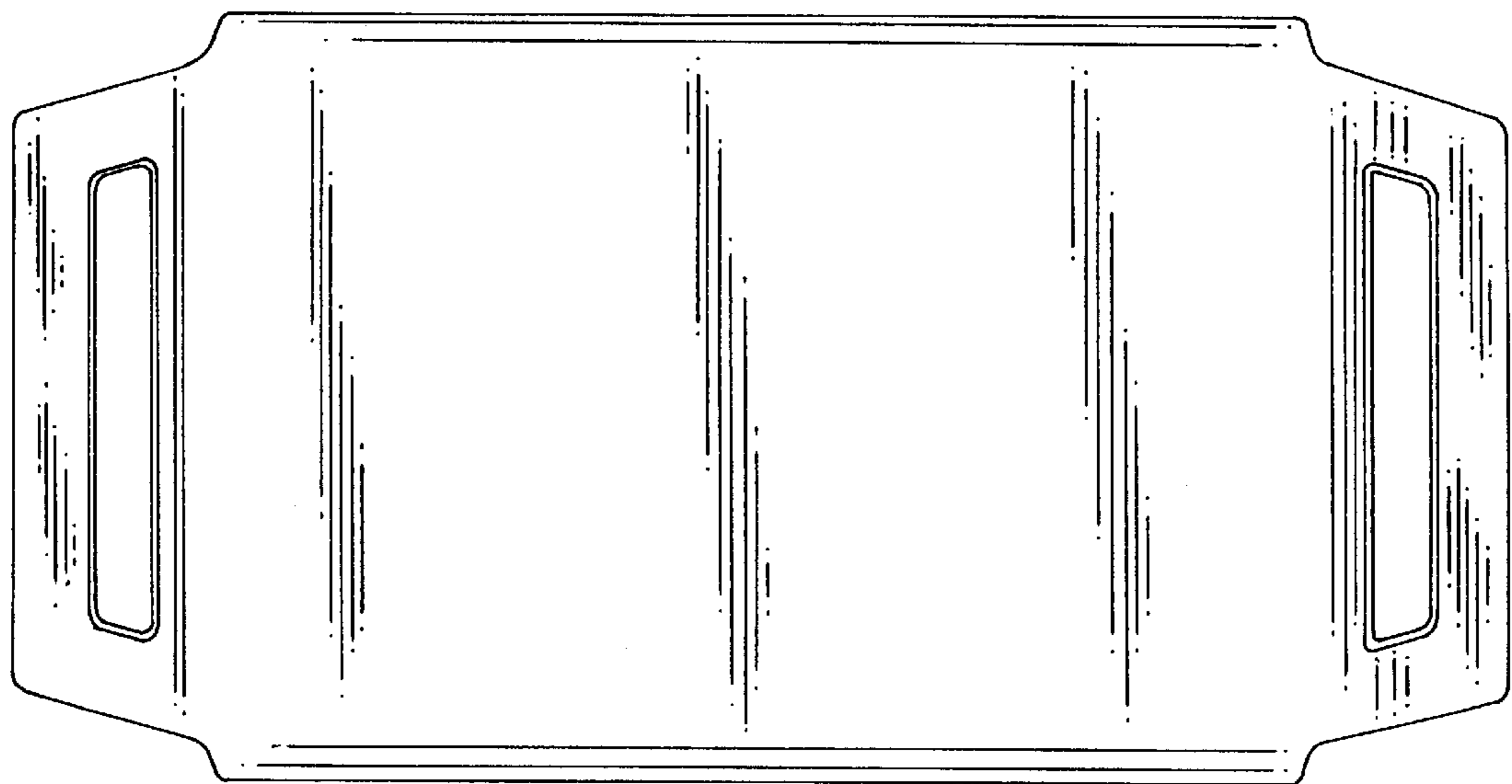


FIG. 5