



US00D472764S

(12) **United States Design Patent**  
**Hsu**

(10) **Patent No.:** **US D472,764 S**

(45) **Date of Patent:** **\*\* Apr. 8, 2003**

(54) **GAS LIGHTING TIP**

(76) **Inventor:** **Chin-Mei Hsu**, 3Fl., No. 53, Lane 80,  
Sec. 4, Cheng-Te Road, Taipei (TW)

(\*\*) **Term:** **14 Years**

(21) **Appl. No.:** **29/153,886**

(22) **Filed:** **Nov. 9, 2001**

(51) **LOC (7) Cl.** ..... **07-99**

(52) **U.S. Cl.** ..... **D7/416**

(58) **Field of Search** ..... D7/416, 417; D27/157,  
D27/139, 141, 154, 131; D23/415; 431/255,  
254, 344, 153; 126/406, 409, 25 B; 417/411;  
222/153.14

(56) **References Cited**

**U.S. PATENT DOCUMENTS**

D202,752 S	*	11/1965	Stack et al.	.....	D7/416
4,352,658 A	*	10/1982	Racek	.....	431/254
D360,107 S	*	7/1995	Segawa	.....	D7/416
D380,936 S	*	7/1997	Hsu	.....	D7/416

D398,050 S	*	9/1998	Yoshinaga	.....	D23/415
D420,549 S	*	2/2000	Leighton	.....	D7/416
D444,912 S	*	7/2001	Xie et al.	.....	D27/157
D452,584 S	*	12/2001	Chen	.....	D27/157

\* cited by examiner

*Primary Examiner*—M. N. Pandozzi

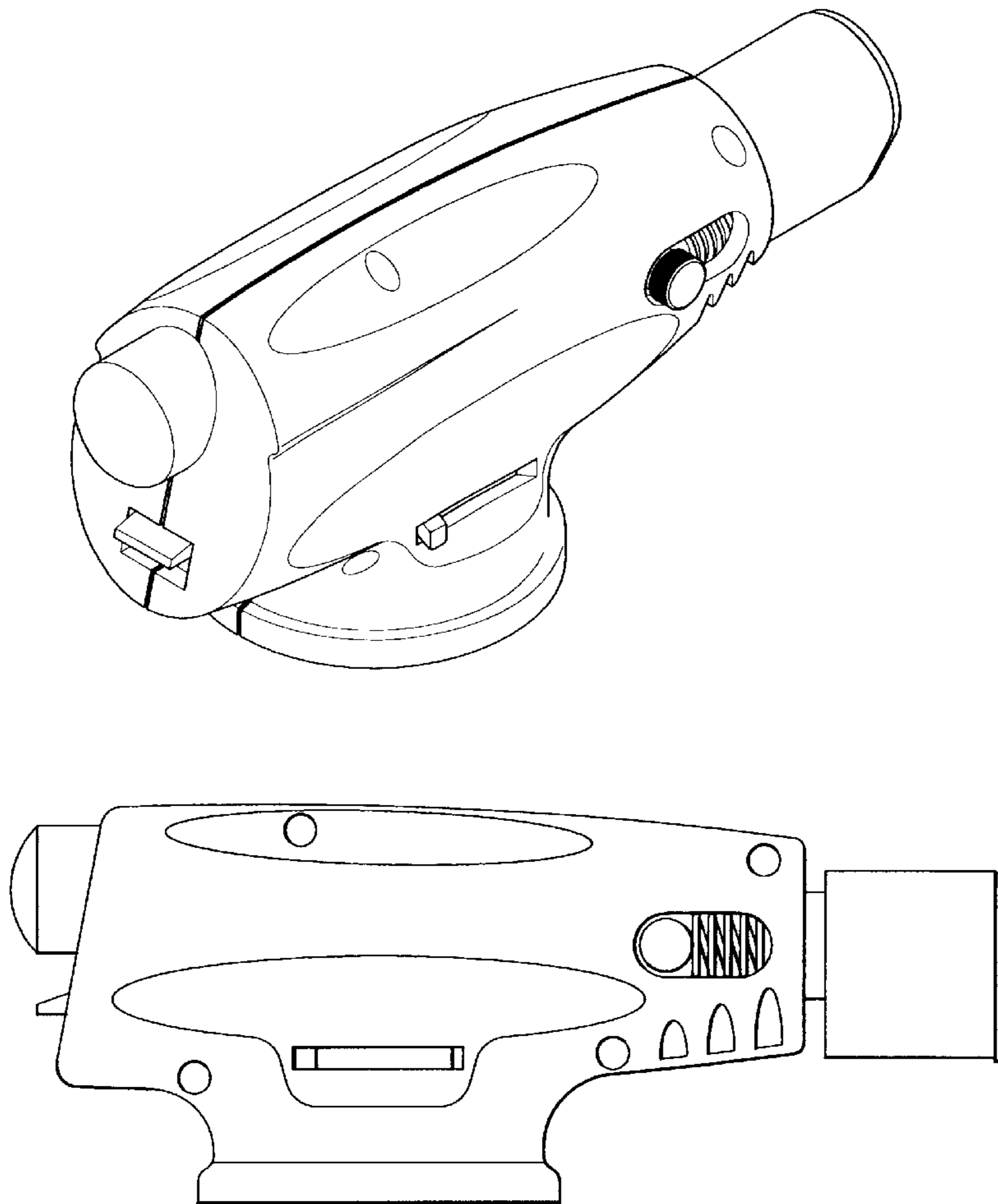
(57) **CLAIM**

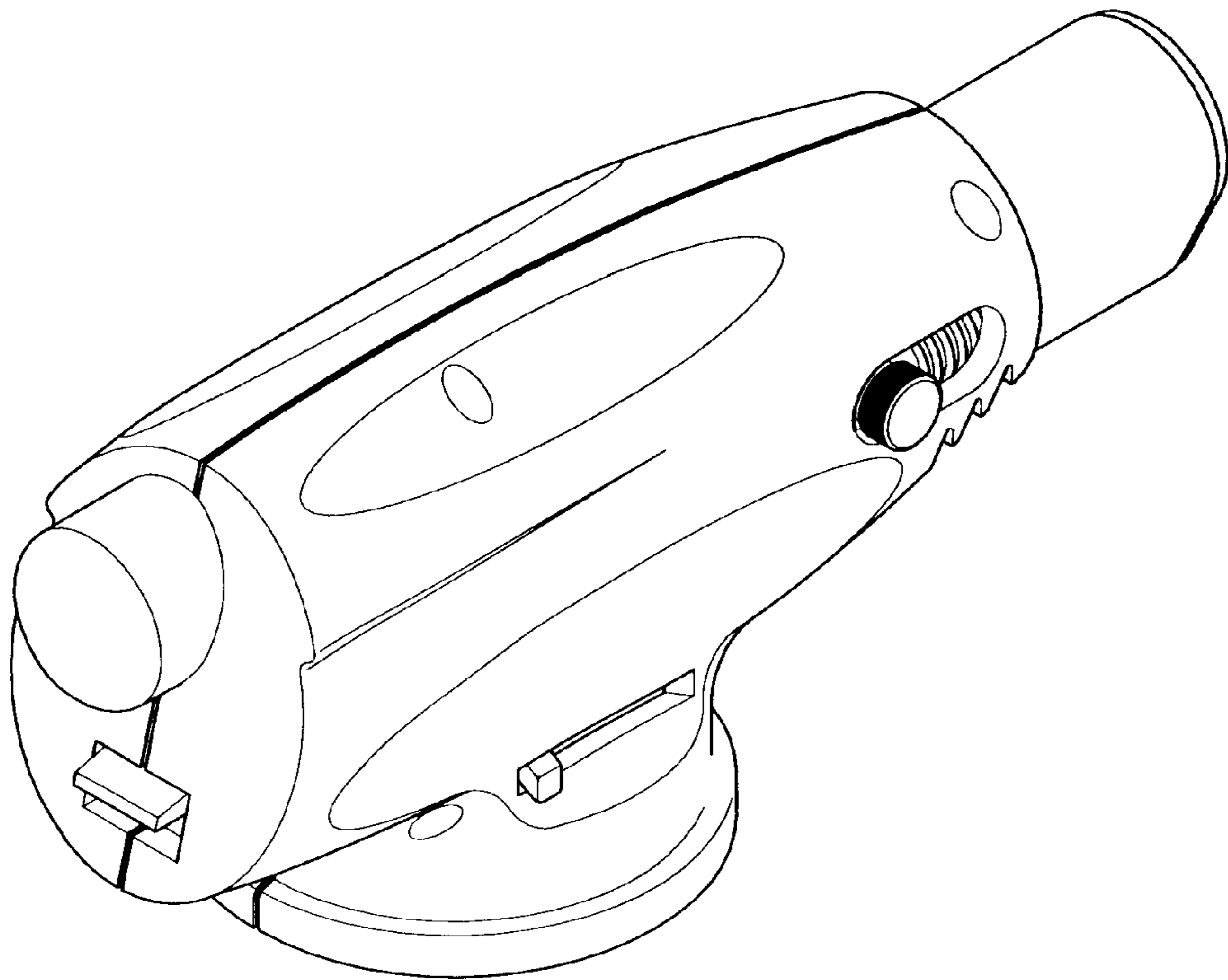
The ornamental design for gas lighting tip, as shown and described.

**DESCRIPTION**

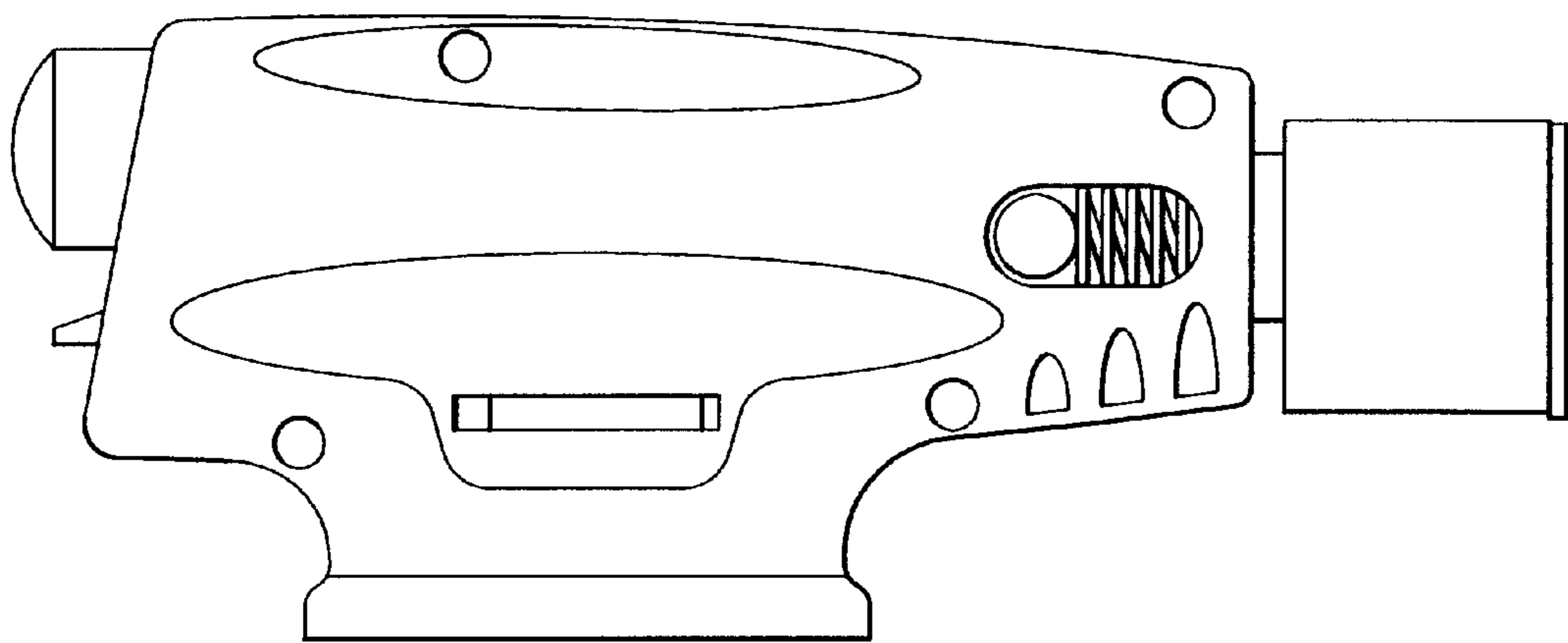
FIG. 1 is a perspective view of gas lighting tip showing my new design;  
FIG. 2 is a front elevational view thereof;  
FIG. 3 is a rear elevational view thereof;  
FIG. 4 is a left side elevational view thereof;  
FIG. 5 is right side elevational view thereof;  
FIG. 6 is a top view thereof; and,  
FIG. 7 is a bottom view thereof.

**1 Claim, 7 Drawing Sheets**

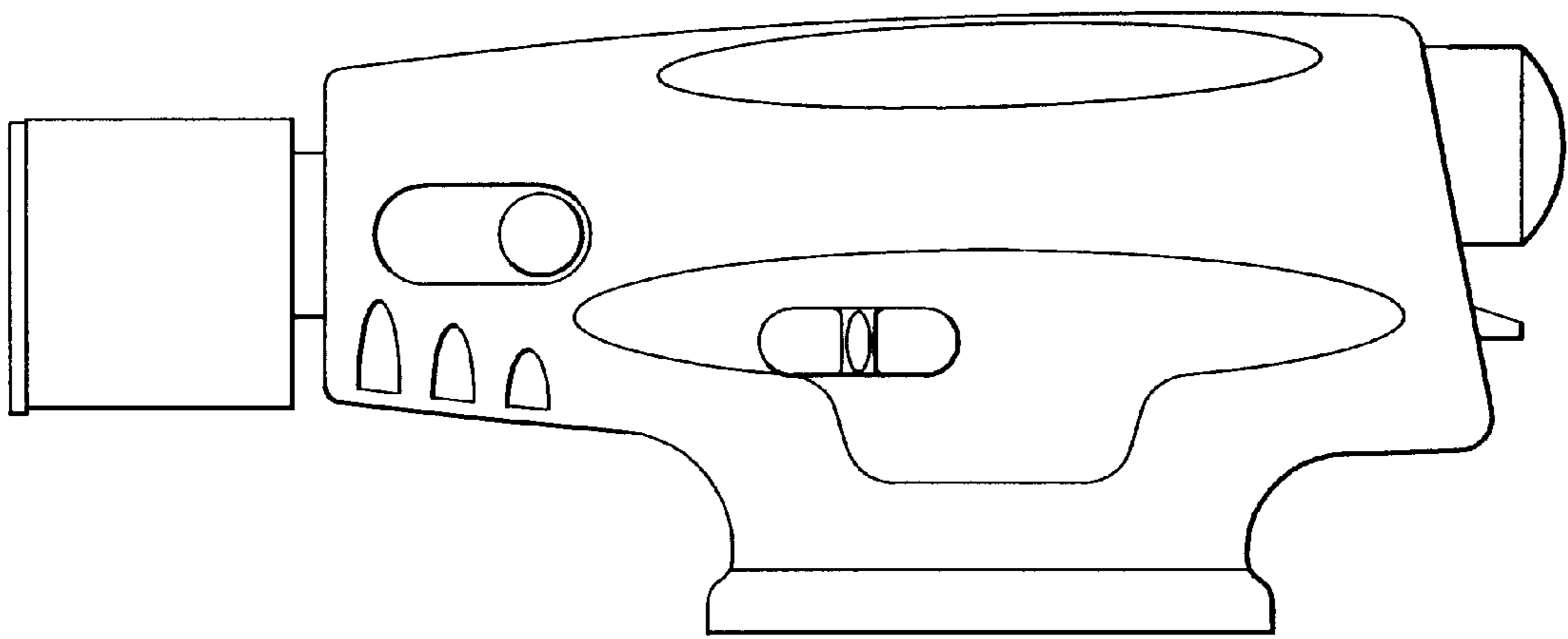




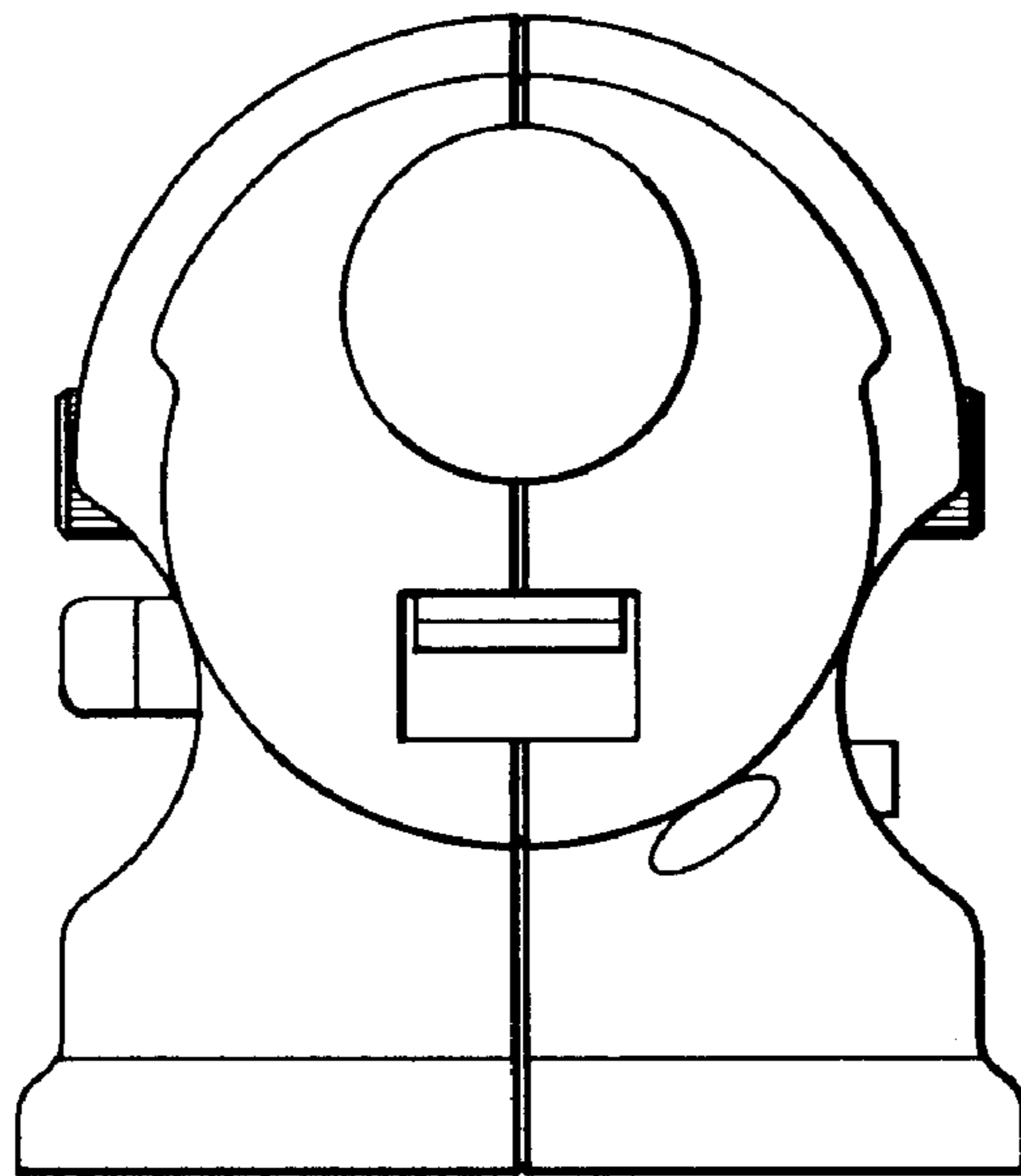
**FIG. 1**



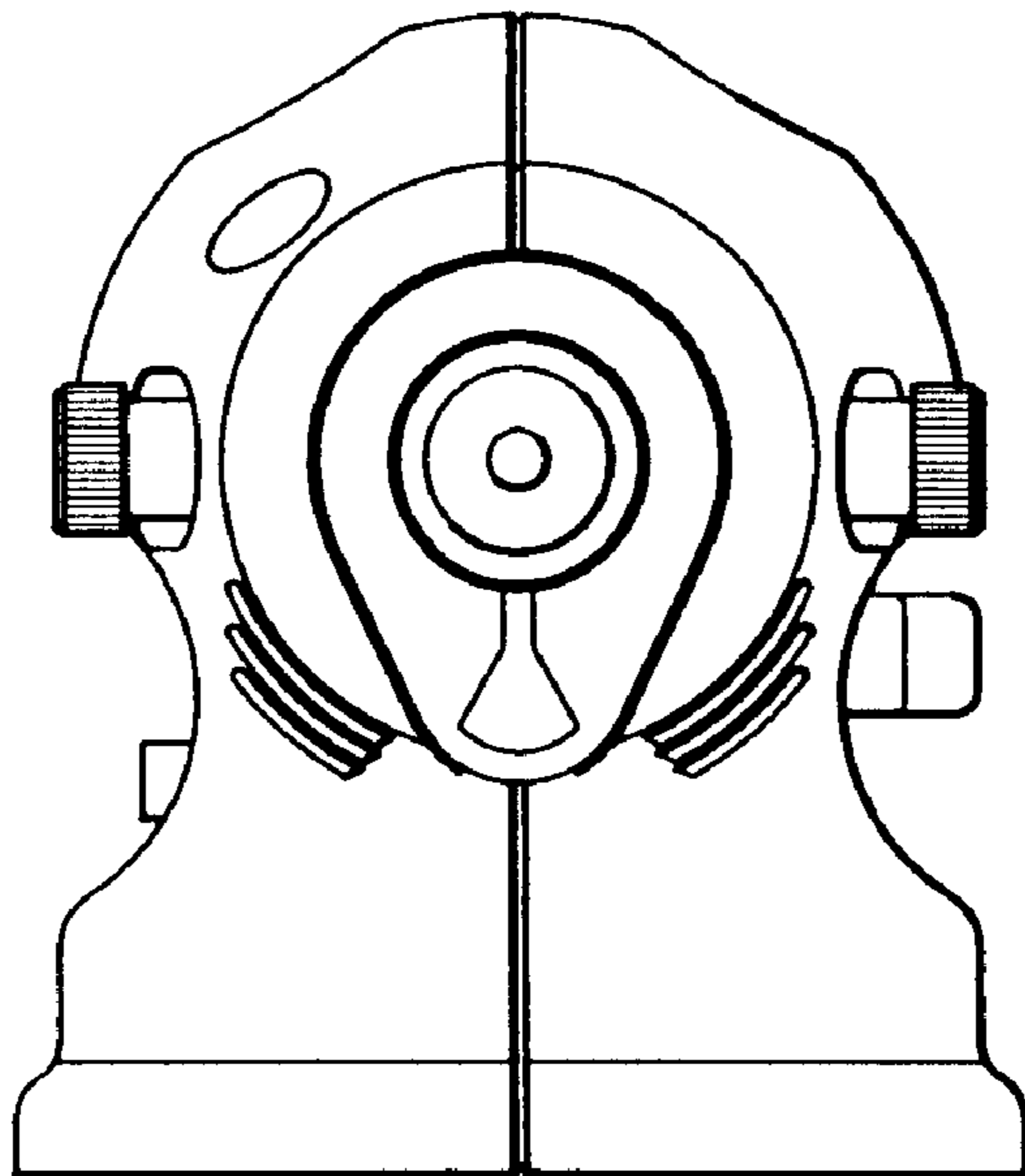
**FIG. 2**



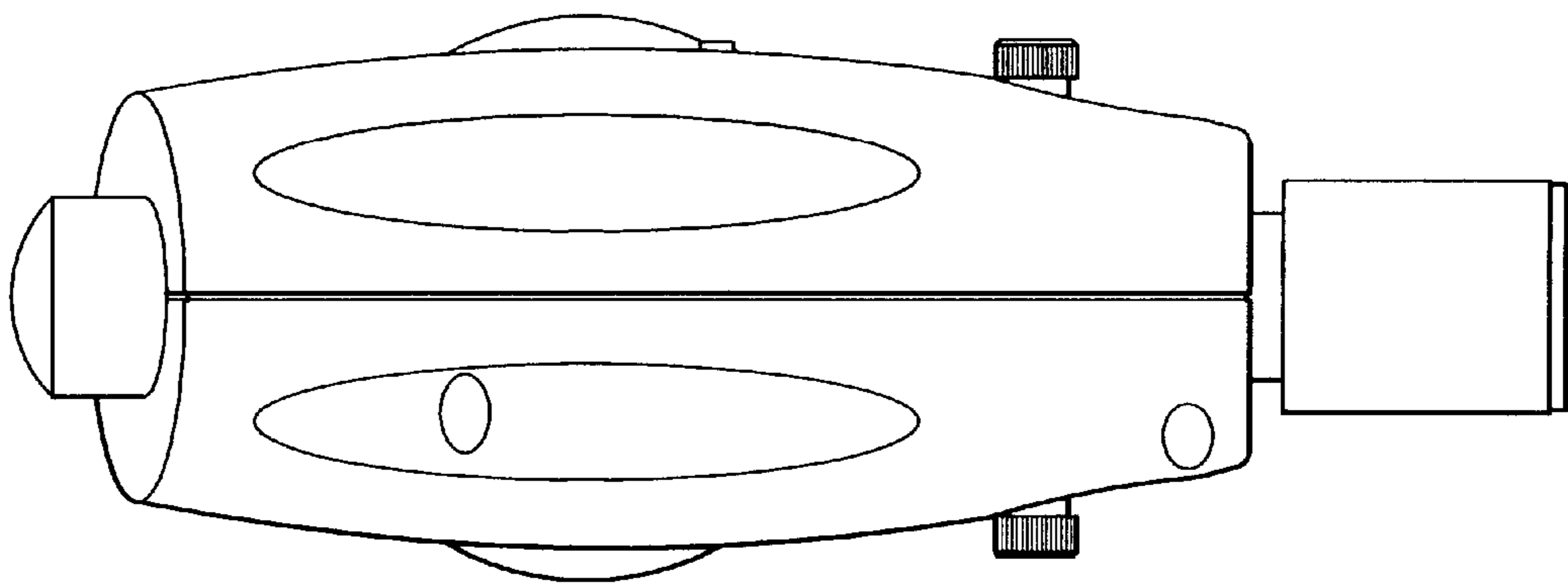
**FIG. 3**



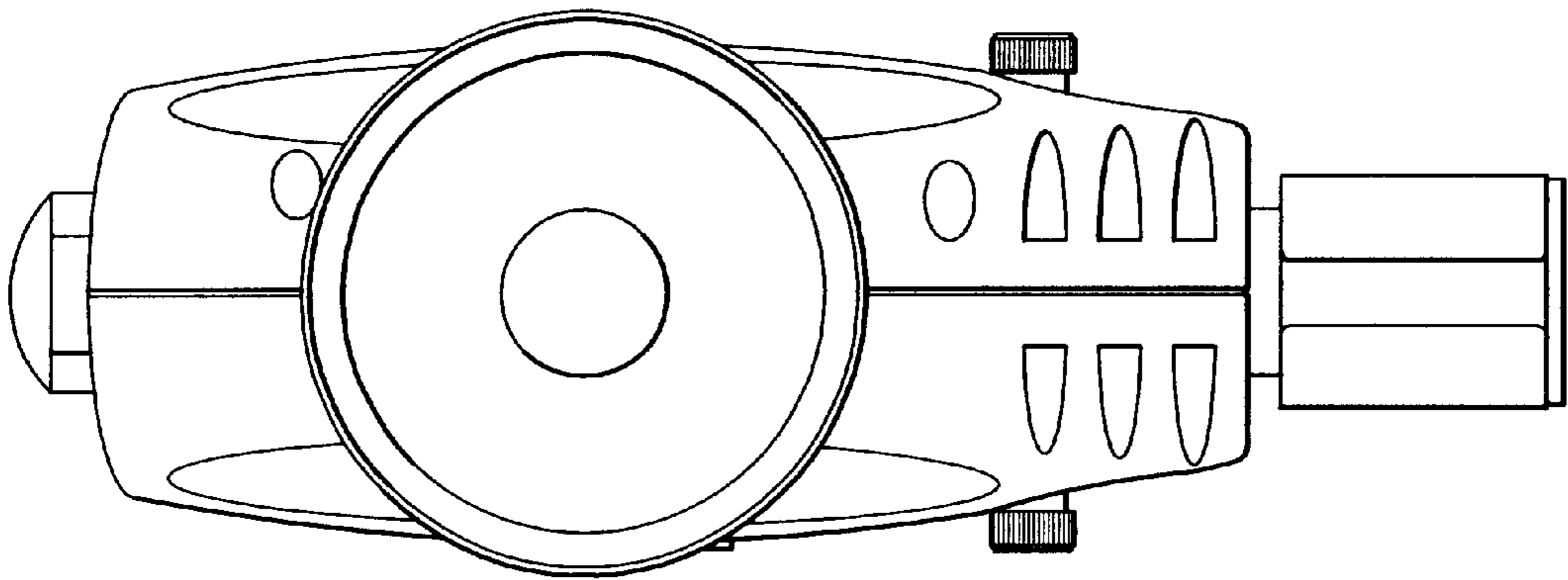
**FIG. 4**



**FIG. 5**



**FIG. 6**



**FIG. 7**