



US00D472762S

(12) **United States Design Patent**
Song

(10) **Patent No.:** **US D472,762 S**

(45) **Date of Patent:** **** Apr. 8, 2003**

(54) **VENTILATED TAP OF THE WATER BOTTLE**

Primary Examiner—M. N. Pandozzi

(76) **Inventor:** **In Wha Song**, 2100 W. Commonwealth Ave. #123, Fullerton, CA (US) 92833-3019

(57) **CLAIM**

The ornamental design for a ventilated tap of the water bottle, as shown and described.

(*) **Notice:** This patent is subject to a terminal disclaimer.

DESCRIPTION

(**) **Term:** **14 Years**

(21) **Appl. No.:** **29/140,248**

(22) **Filed:** **Apr. 16, 2001**

(51) **LOC (7) Cl.** **07-99**

(52) **U.S. Cl.** **D7/398; D7/397**

(58) **Field of Search** D7/398, 397, 306, D7/313, 311; 222/571, 566, 207, 146.6, 400.7, 399, 179, 183; 137/561 R, 212; D23/233, 259

FIG. 1 is a perspective view of a ventilated tap of the water bottle, showing my new design;

FIG. 2 is a sectional view thereof taken along line 2—2 of FIG. 1;

FIG. 3 is a side elevational view of FIG. 1;

FIG. 4 is a rear elevational view of FIG. 1;

FIG. 5 is a sectional view thereof taken along line 5—5 of FIG. 3;

FIG. 6 is a side elevational view of a ventilated tap of the water bottle, showing a second embodiment of my new design;

FIG. 7 is a rear elevational view of FIG. 6;

FIG. 8 is a sectional view thereof taken along line 8—8 of FIG. 6;

FIG. 9 is a sectional view thereof taken along line 9—9 of FIG. 7;

FIG. 10 is a side elevational view of a ventilated tap of the water bottle, showing another embodiment of my new design;

FIG. 11 is a rear elevational view of FIG. 10;

FIG. 12 is a sectional view thereof taken along line 12—12 of FIG. 10; and,

FIG. 13 is a sectional view thereof taken along line 13—13 of FIG. 11.

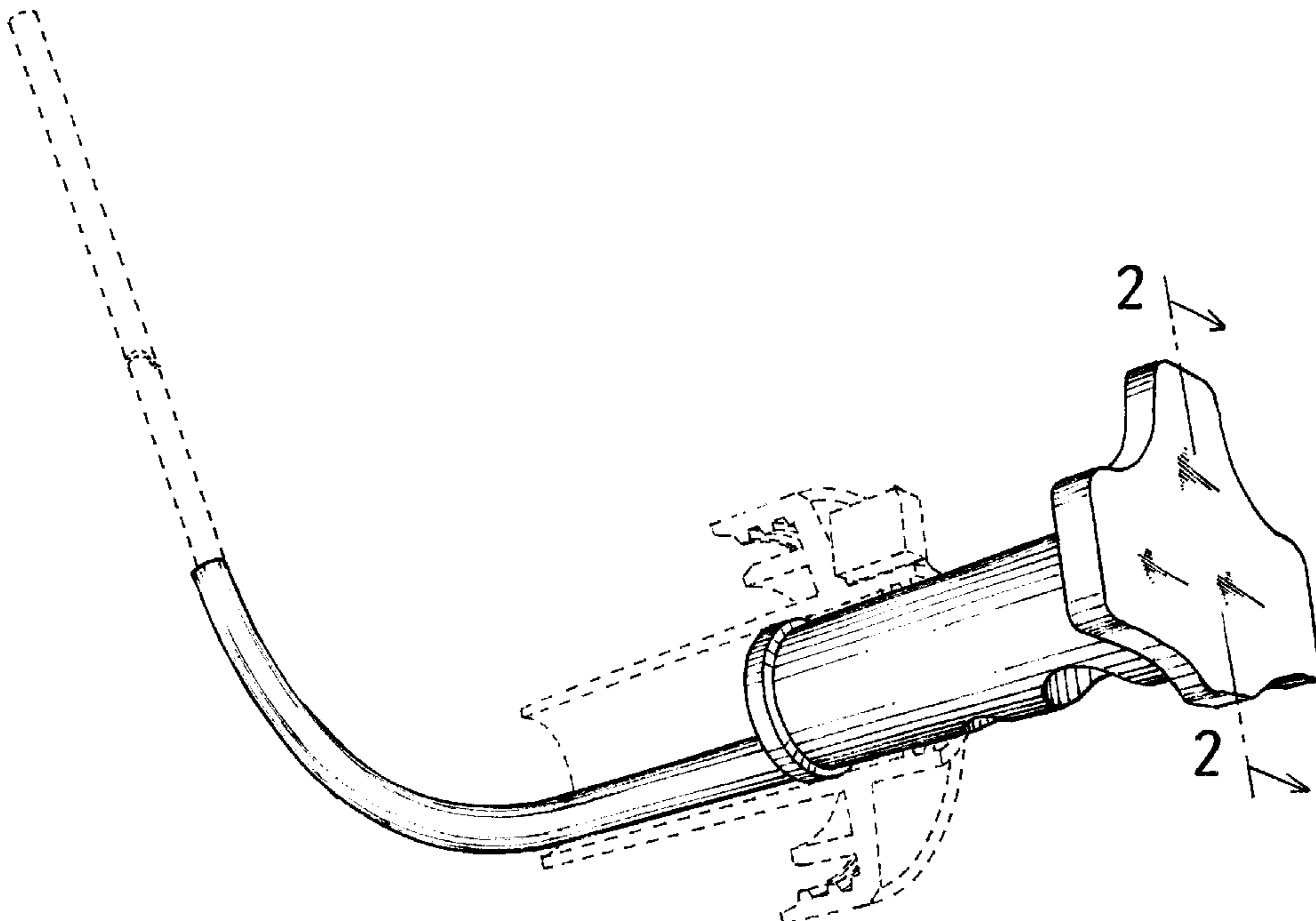
(56) **References Cited**

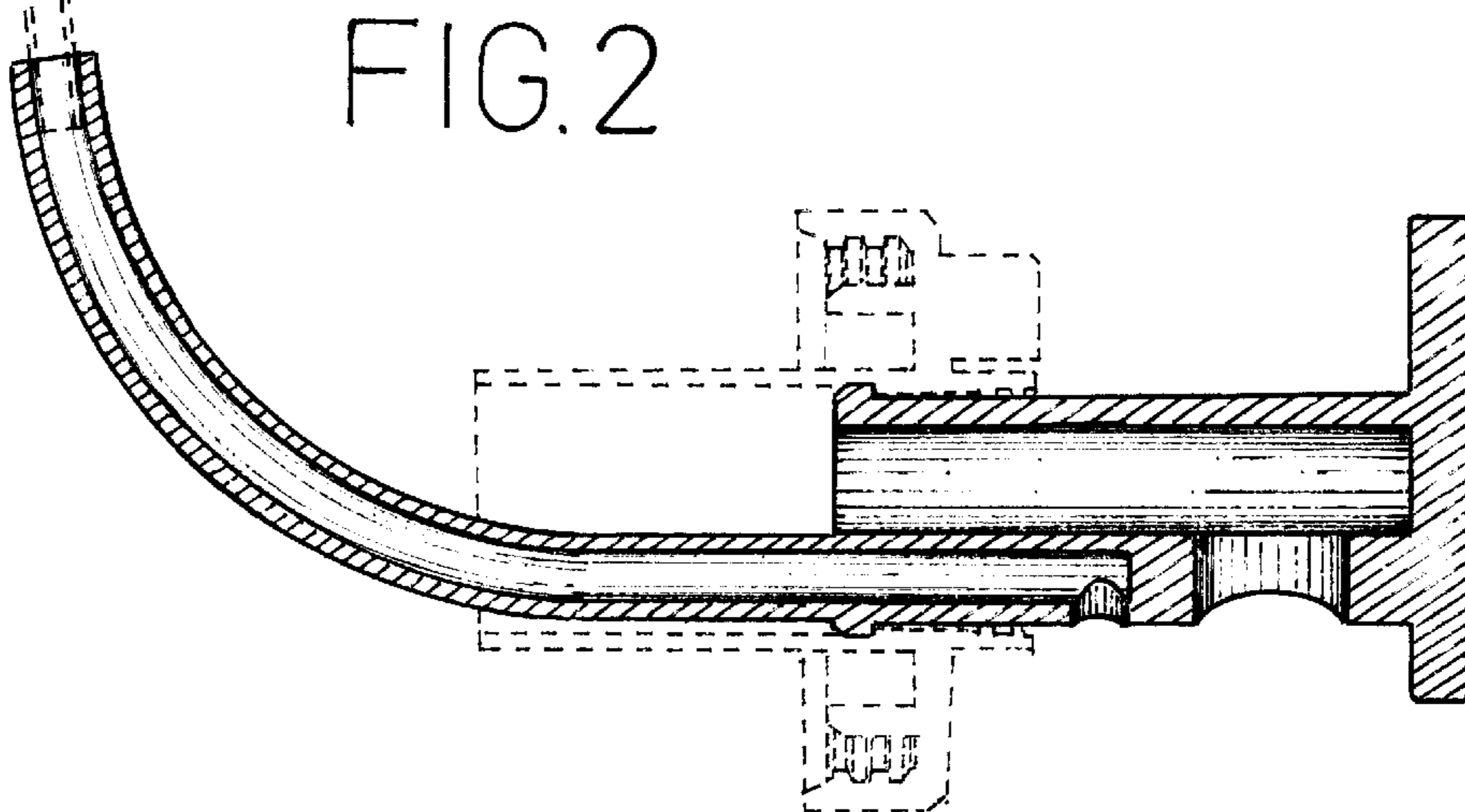
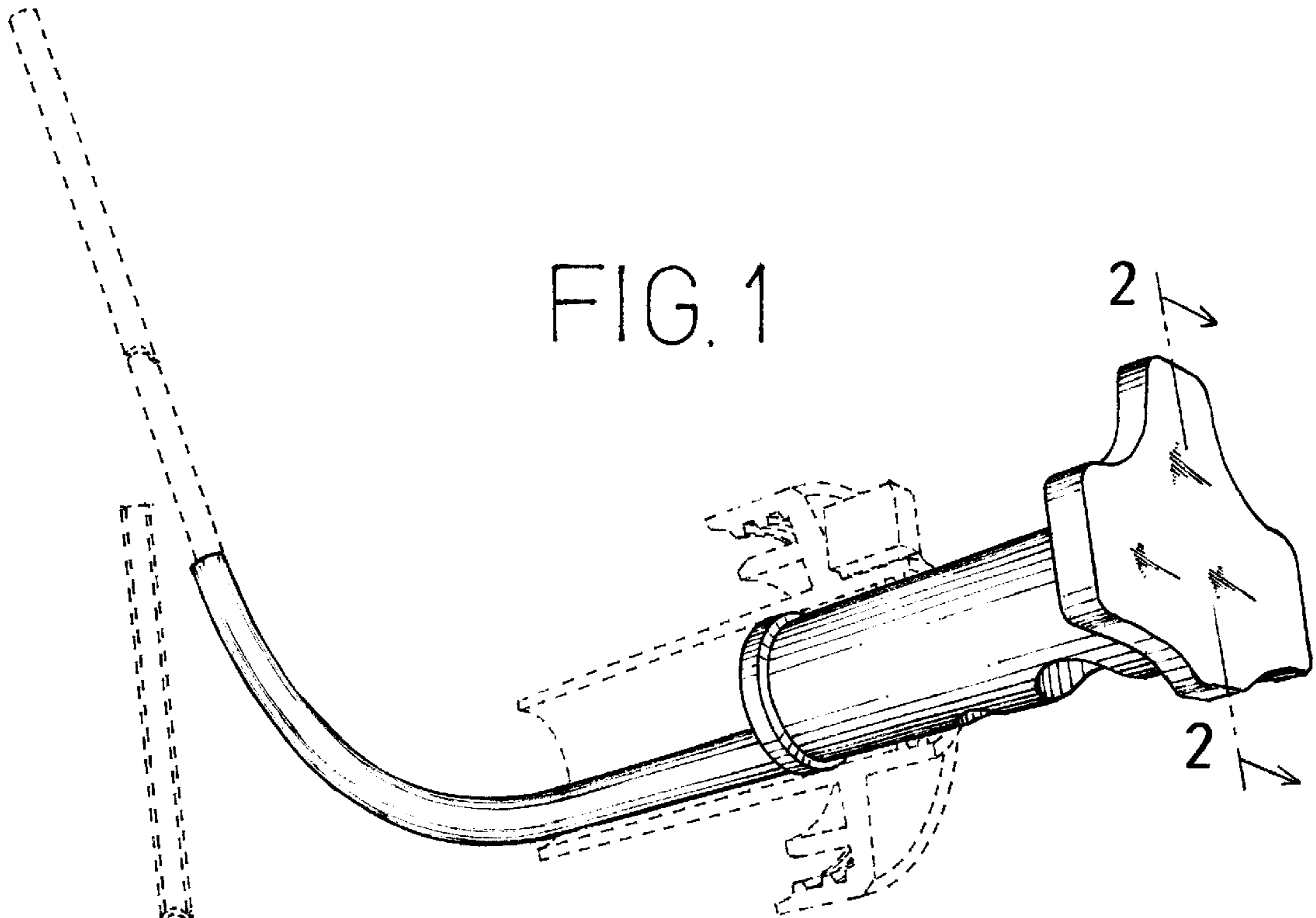
U.S. PATENT DOCUMENTS

D225,883 S	*	1/1973	DiPierro et al.	D7/313
D244,850 S	*	6/1977	Wilson	D7/311
D244,929 S	*	7/1977	Armstrong	D7/313
D295,138 S	*	4/1988	Hyde	D7/398
D349,417 S	*	8/1994	Malmborg et al.	D7/306
6,073,811 A	*	6/2000	Costea	222/183
D429,943 S	*	8/2000	Yu	D7/306
D440,631 S	*	4/2001	Shipway	D23/233
D441,253 S	*	5/2001	Chen	D7/398
D450,214 S	*	11/2001	Woebecke et al.	D7/306

* cited by examiner

1 Claim, 4 Drawing Sheets





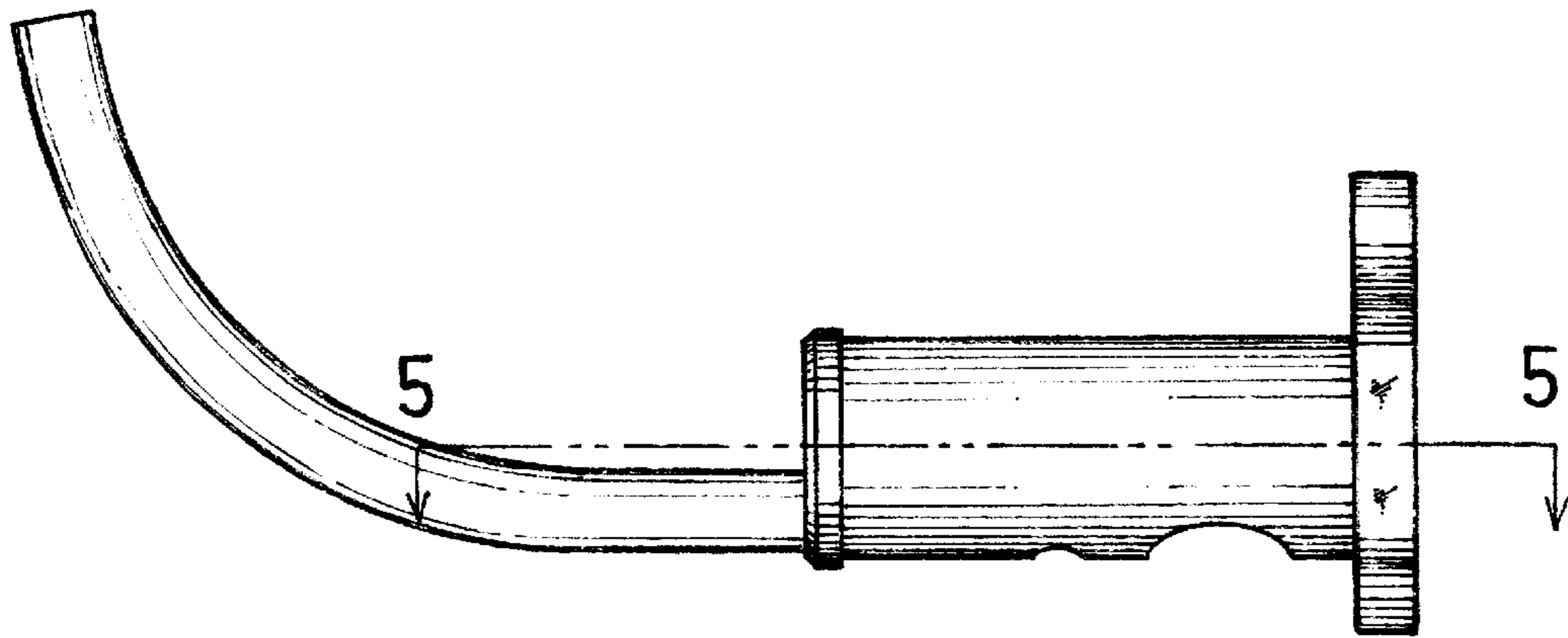


FIG. 3

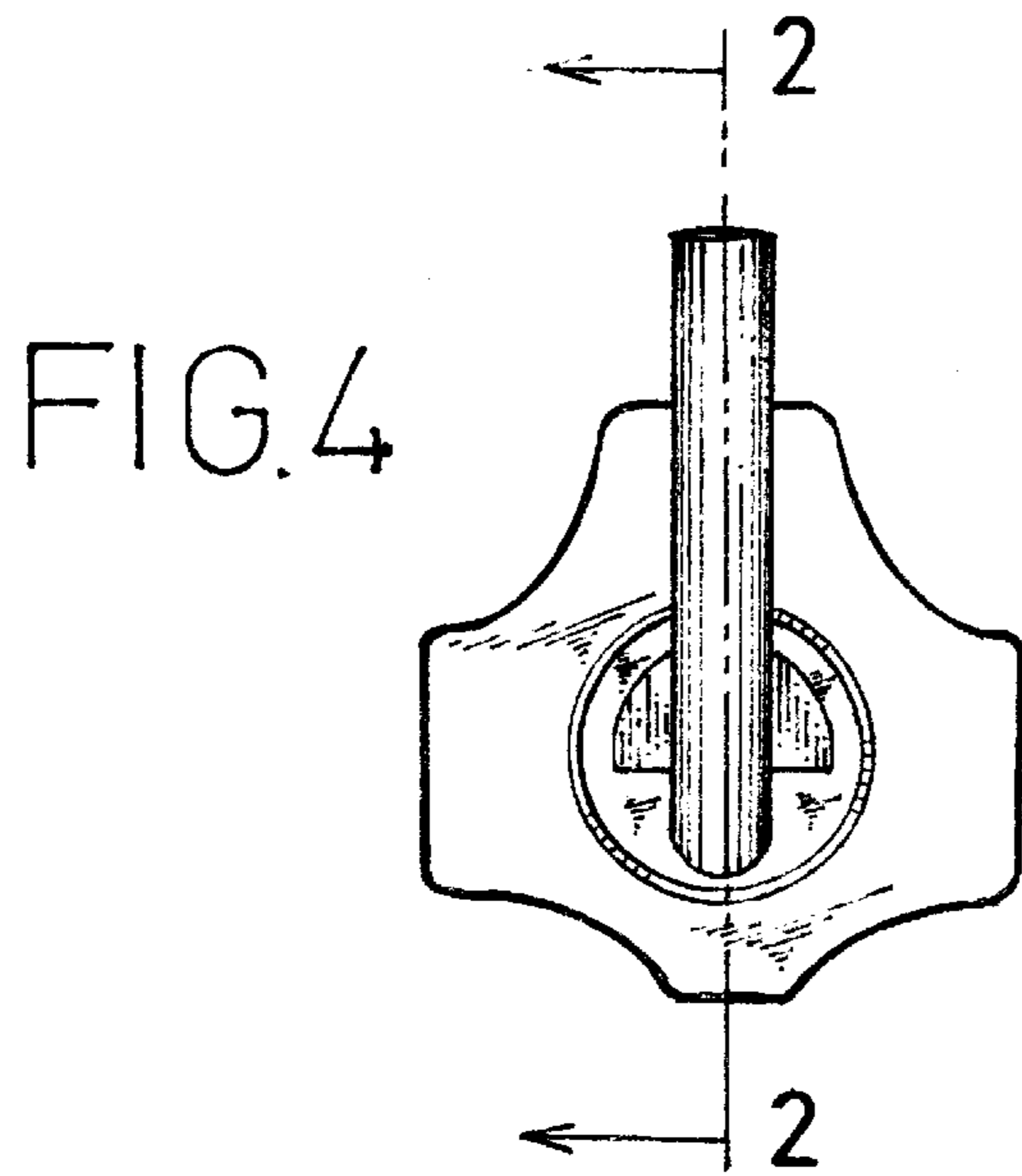


FIG. 4

FIG. 5

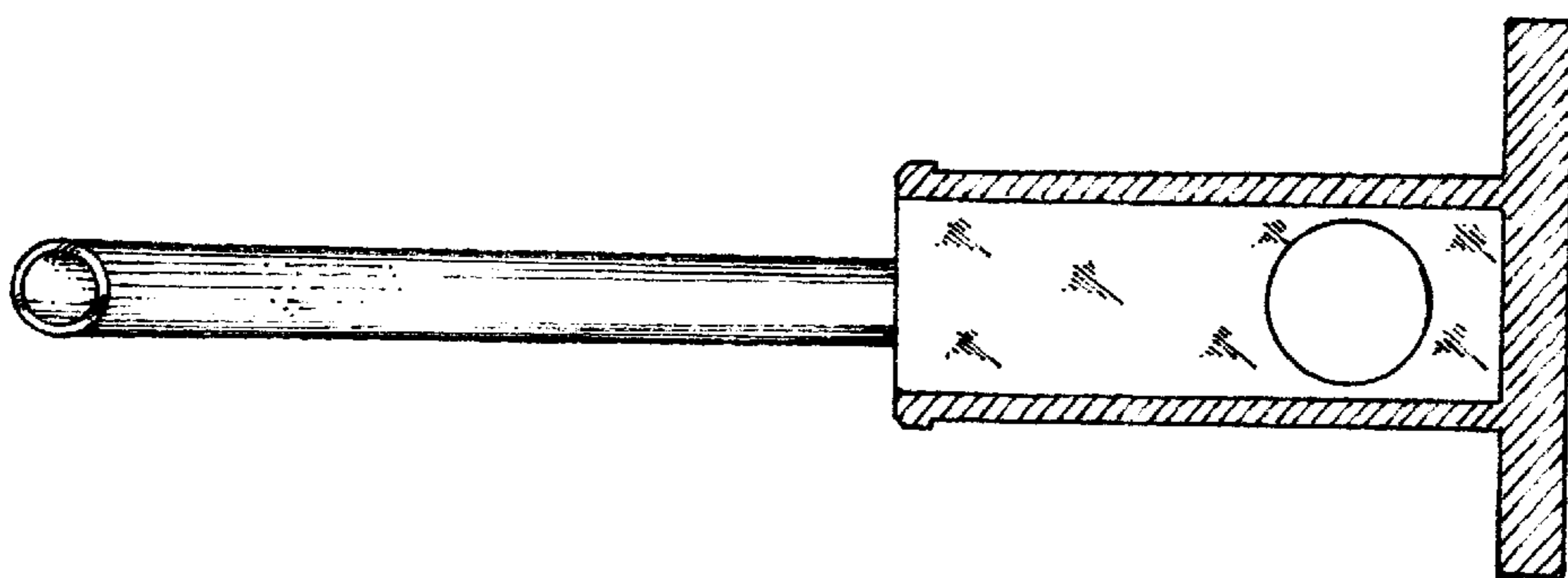


FIG. 6

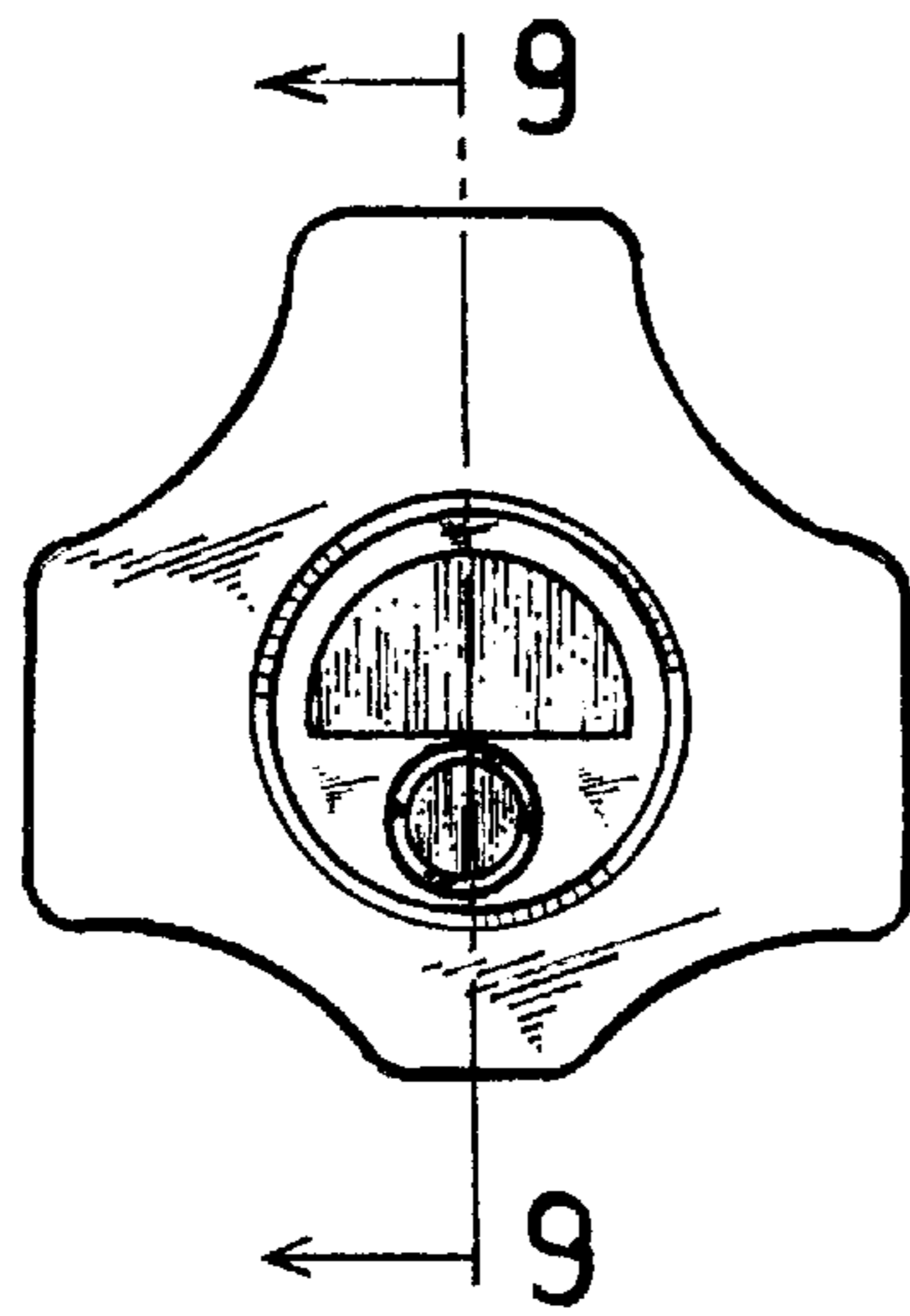
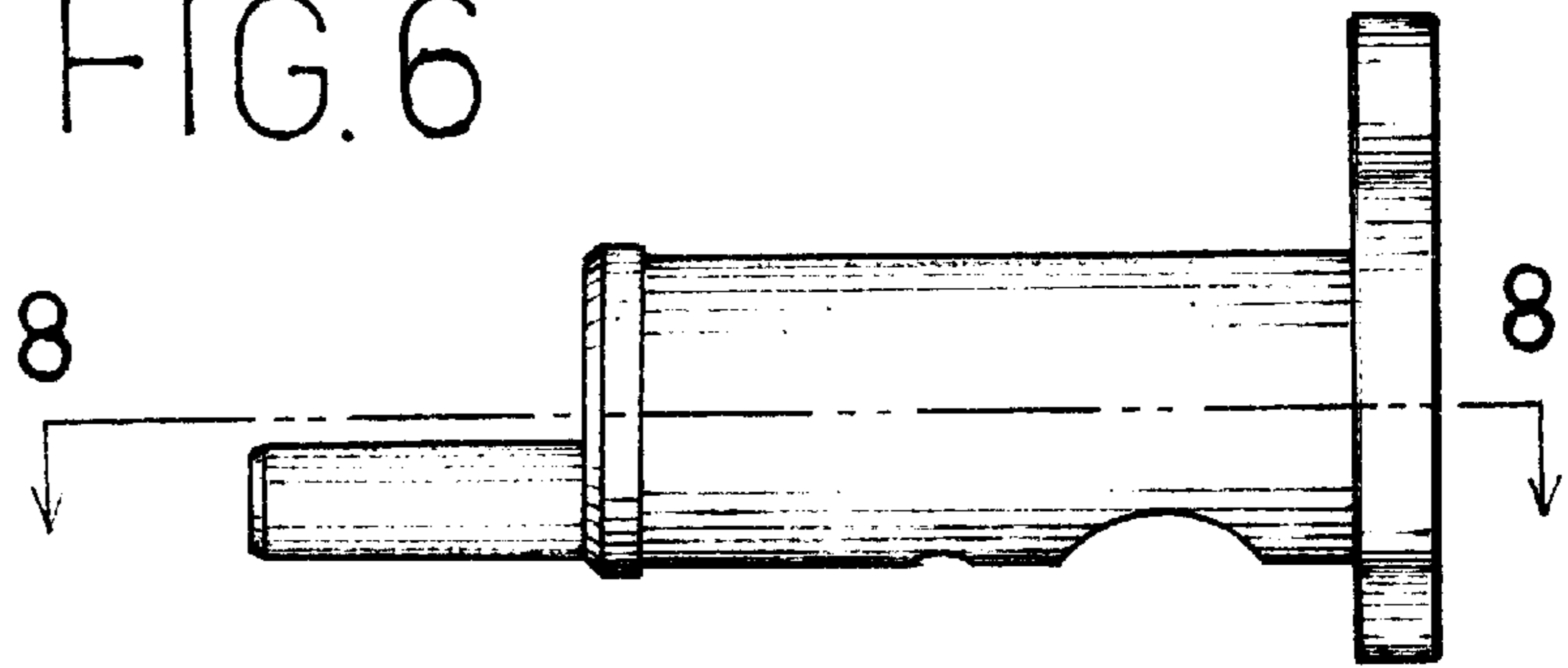


FIG. 7

FIG. 8

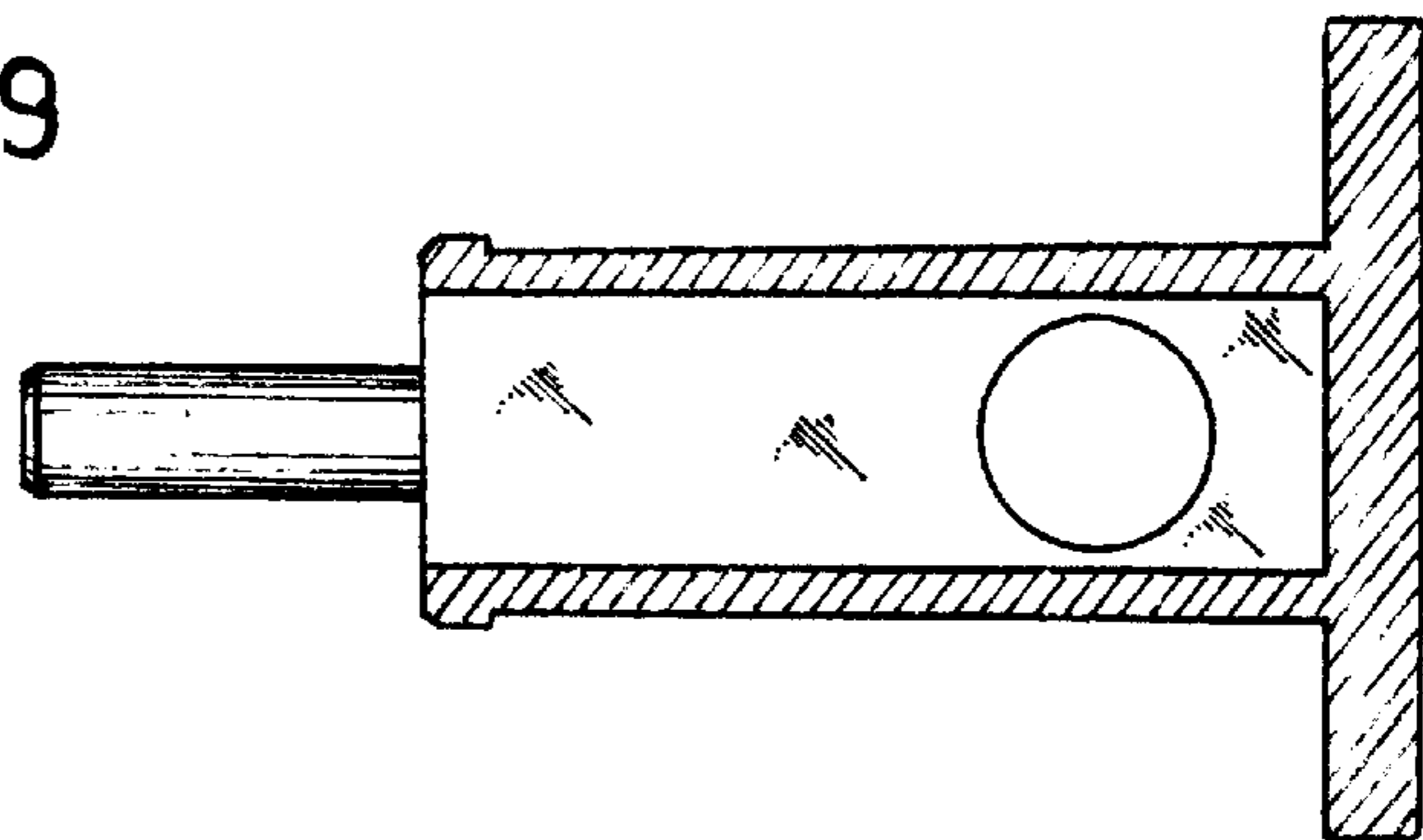


FIG. 9

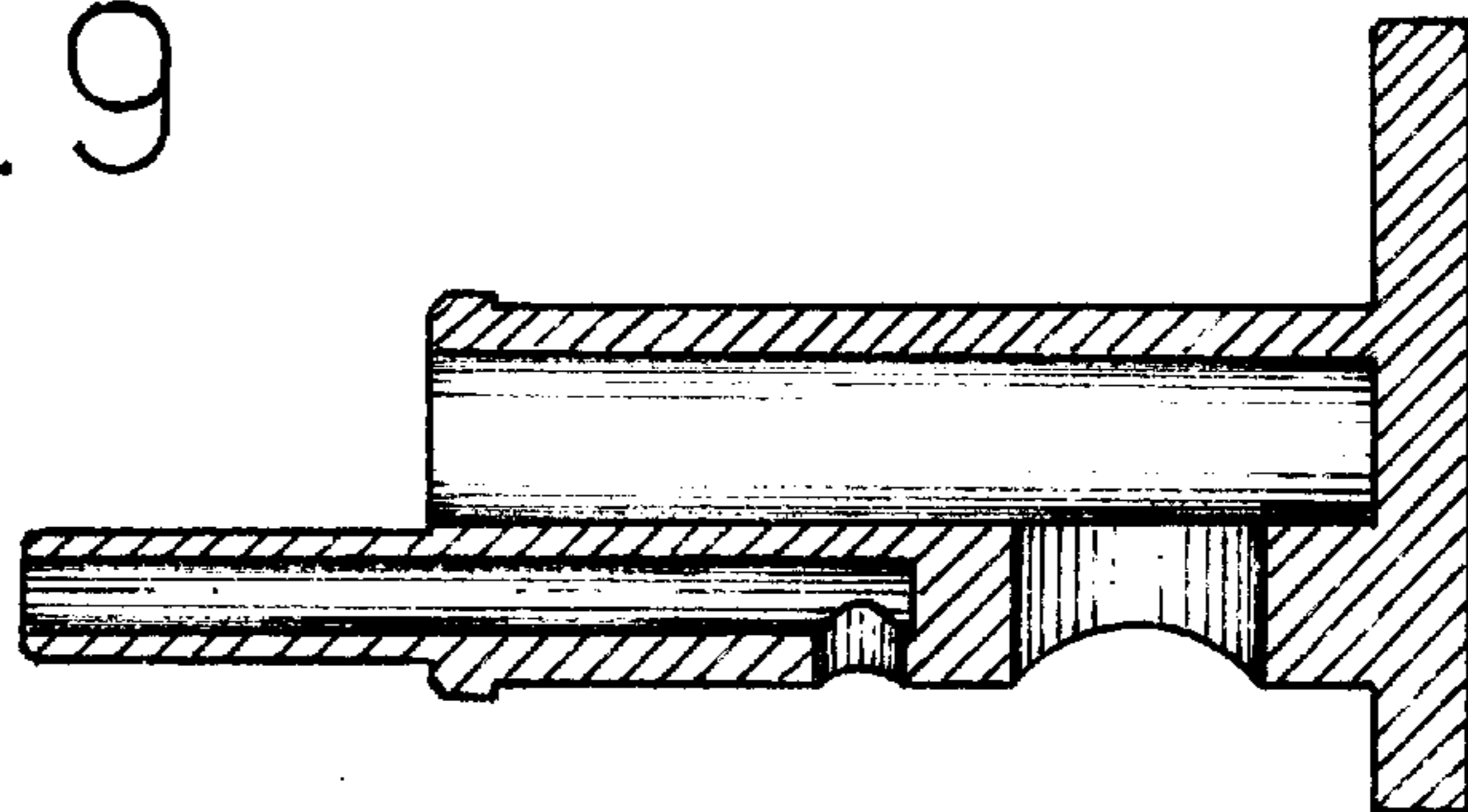


FIG. 10

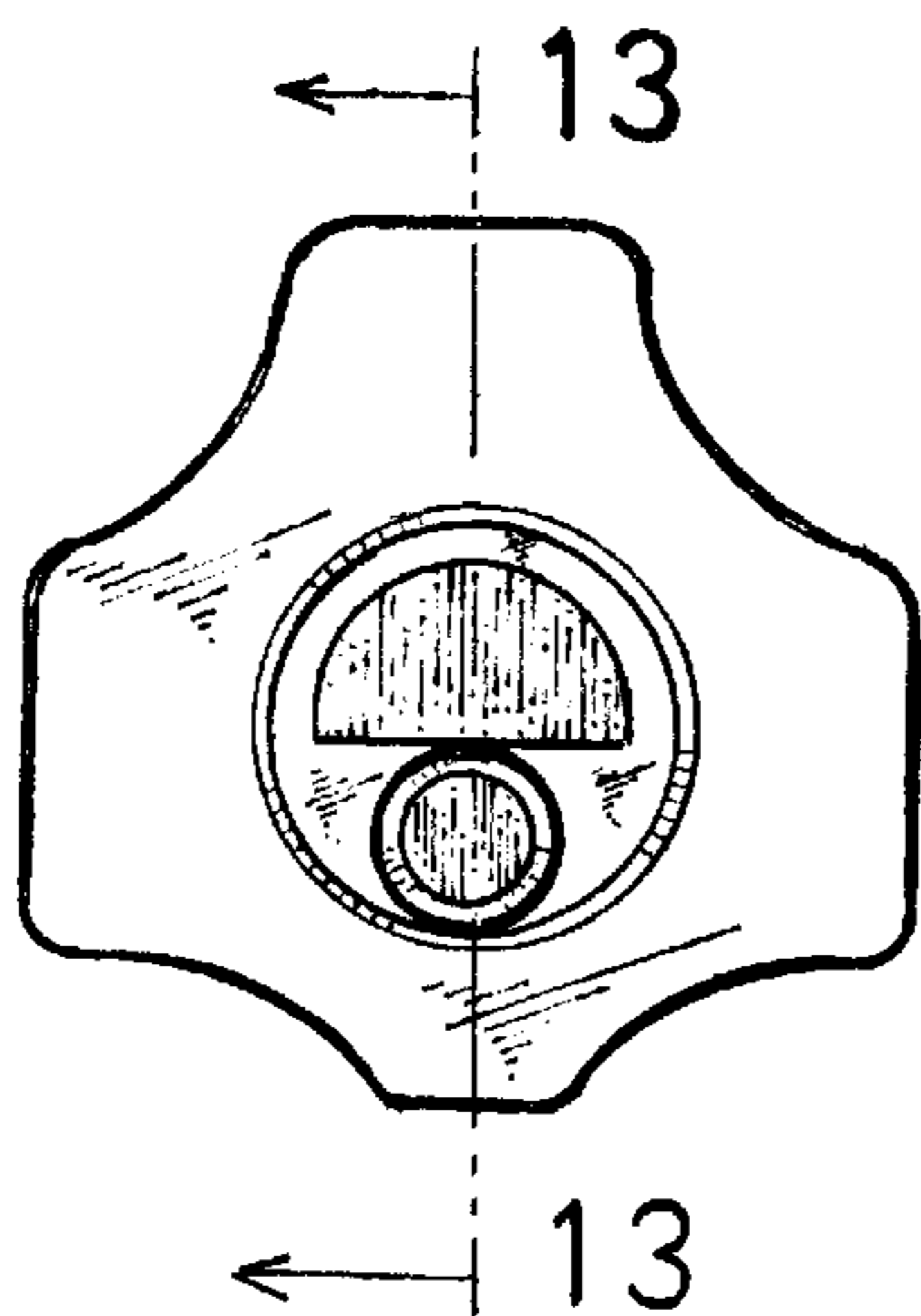
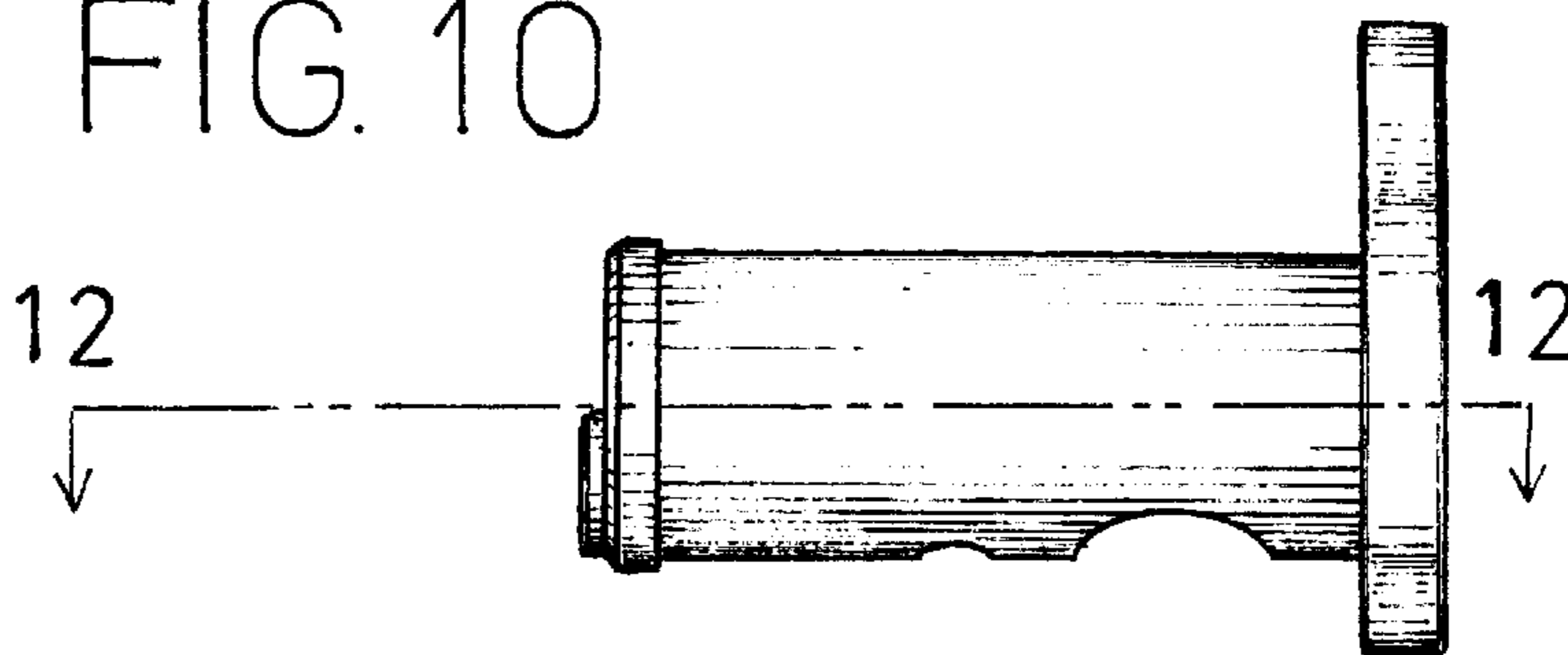


FIG. 11

FIG. 12

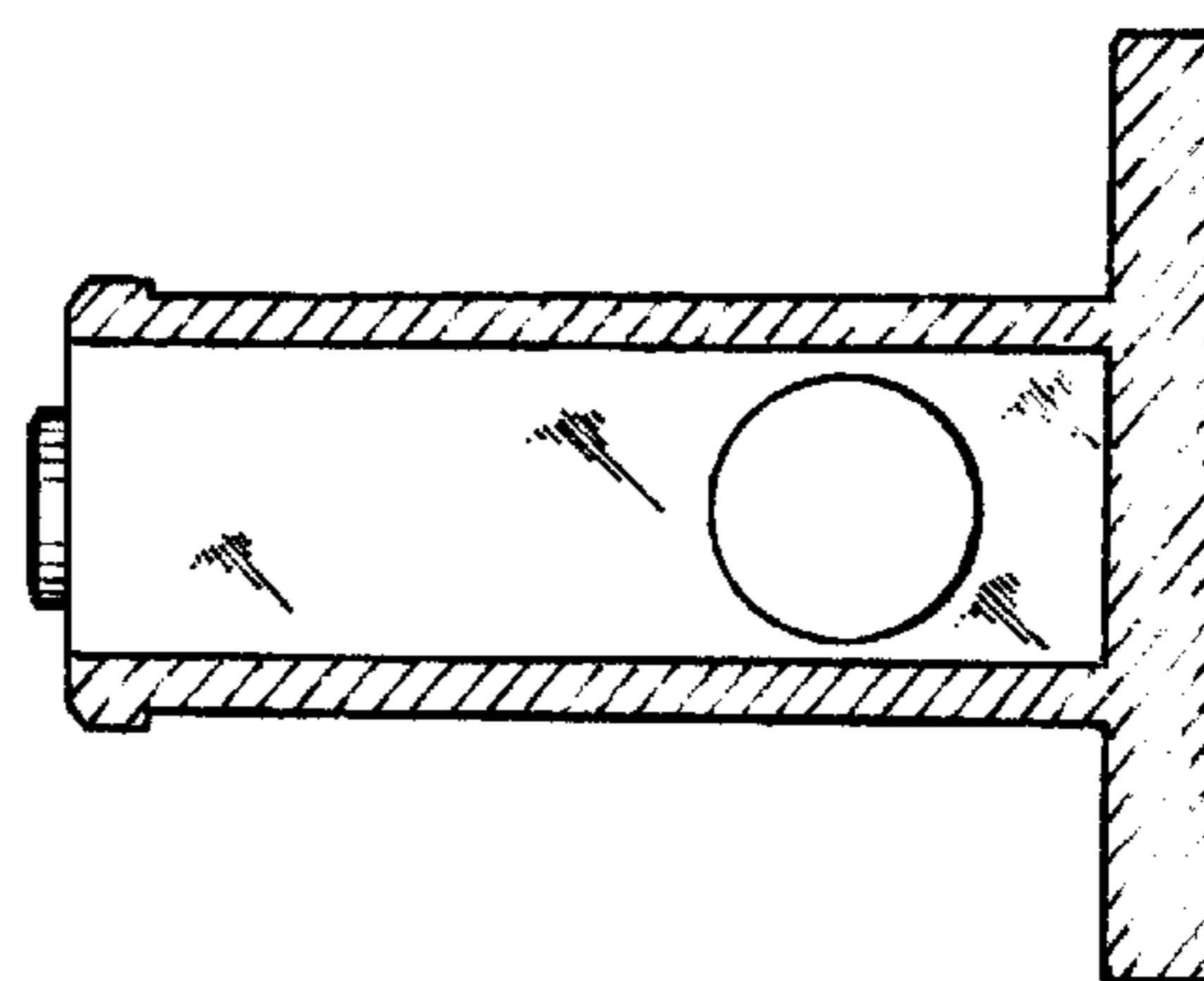


FIG. 13

