



US00D472760S

(12) **United States Design Patent**
Grumadaite et al.

(10) **Patent No.:** **US D472,760 S**

(45) **Date of Patent:** **** Apr. 8, 2003**

(54) **TOASTER COVER**

(76) Inventors: **Nomeda Grumadaite**, 1016 W. Balmoral Ave. #405E, Chicago, IL (US) 60640; **Egidijus Stirblys**, 1016 W. Balmoral Ave. #405E, Chicago, IL (US) 60640

(**) Term: **14 Years**

(21) Appl. No.: **29/162,972**

(22) Filed: **Jun. 24, 2002**

(51) **LOC (7) Cl.** **07-02**

(52) **U.S. Cl.** **D7/390; D7/552.1; D7/609**

(58) **Field of Search** **D7/328-330, 390, D7/411, 552.1, 609; 108/42; 99/385, 646 R**

(56) **References Cited**

U.S. PATENT DOCUMENTS

D194,119 S	*	11/1962	Perl	D7/411
3,170,416 A	*	2/1965	Gerlich	108/42
D296,290 S	*	6/1988	Yamanaka	D7/330
D302,923 S	*	8/1989	Schmidt et al.	D7/552.1
D401,119 S	*	11/1998	Demore	D7/609

* cited by examiner

Primary Examiner—Caron D. Veynar

(74) *Attorney, Agent, or Firm*—Goldstein & Lavas, P.C.

(57) **CLAIM**

The ornamental design for a toaster cover, as shown and described.

DESCRIPTION

FIG. 1 is a perspective view of a toaster cover in full lines with a toaster shown in broken lines representing environmental association matter being for illustrative purposes only and forming no part of the claimed invention.

FIG. 2 is a perspective view of the toaster cover in full lines with slices of toast shown in broken lines representing environmental association matter being for illustrative purposes only and forming no part of the claimed invention.

FIG. 3 is a right side elevational view thereof.

FIG. 4 is a left side elevational view thereof.

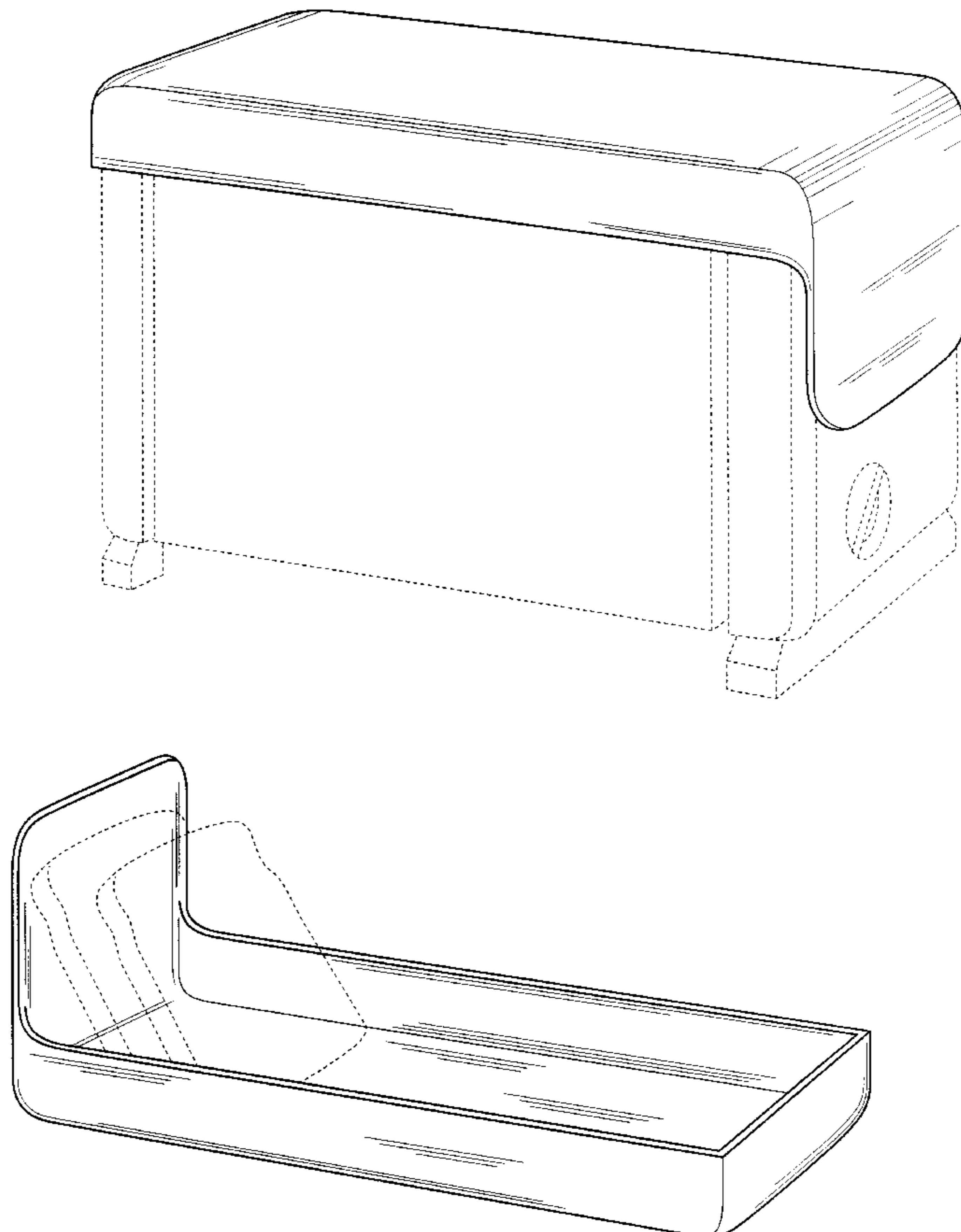
FIG. 5 is a front elevational view thereof.

FIG. 6 is a rear elevational view thereof.

FIG. 7 is a top plan view thereof; and,

FIG. 8 is a bottom plan view thereof.

1 Claim, 5 Drawing Sheets



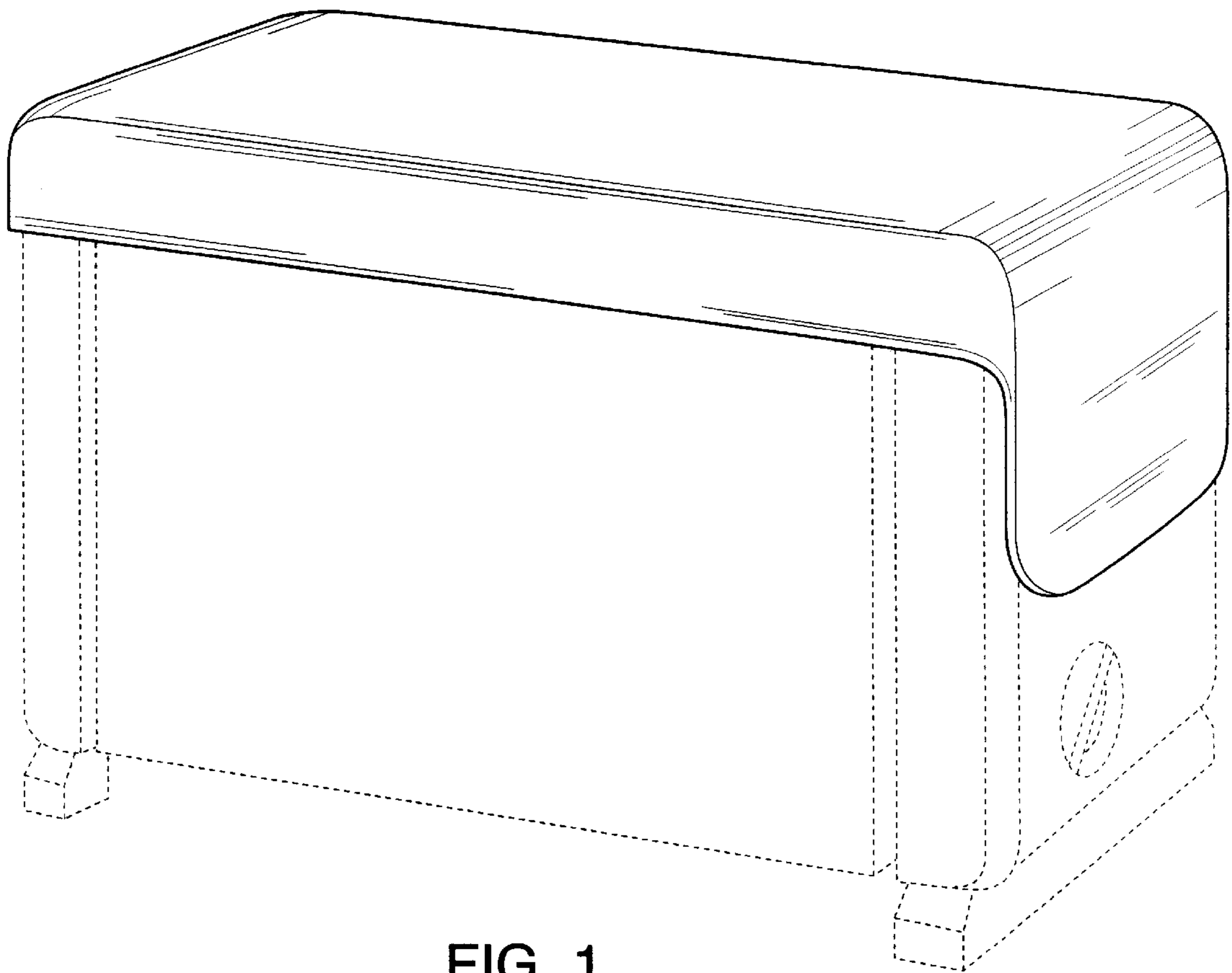


FIG. 1

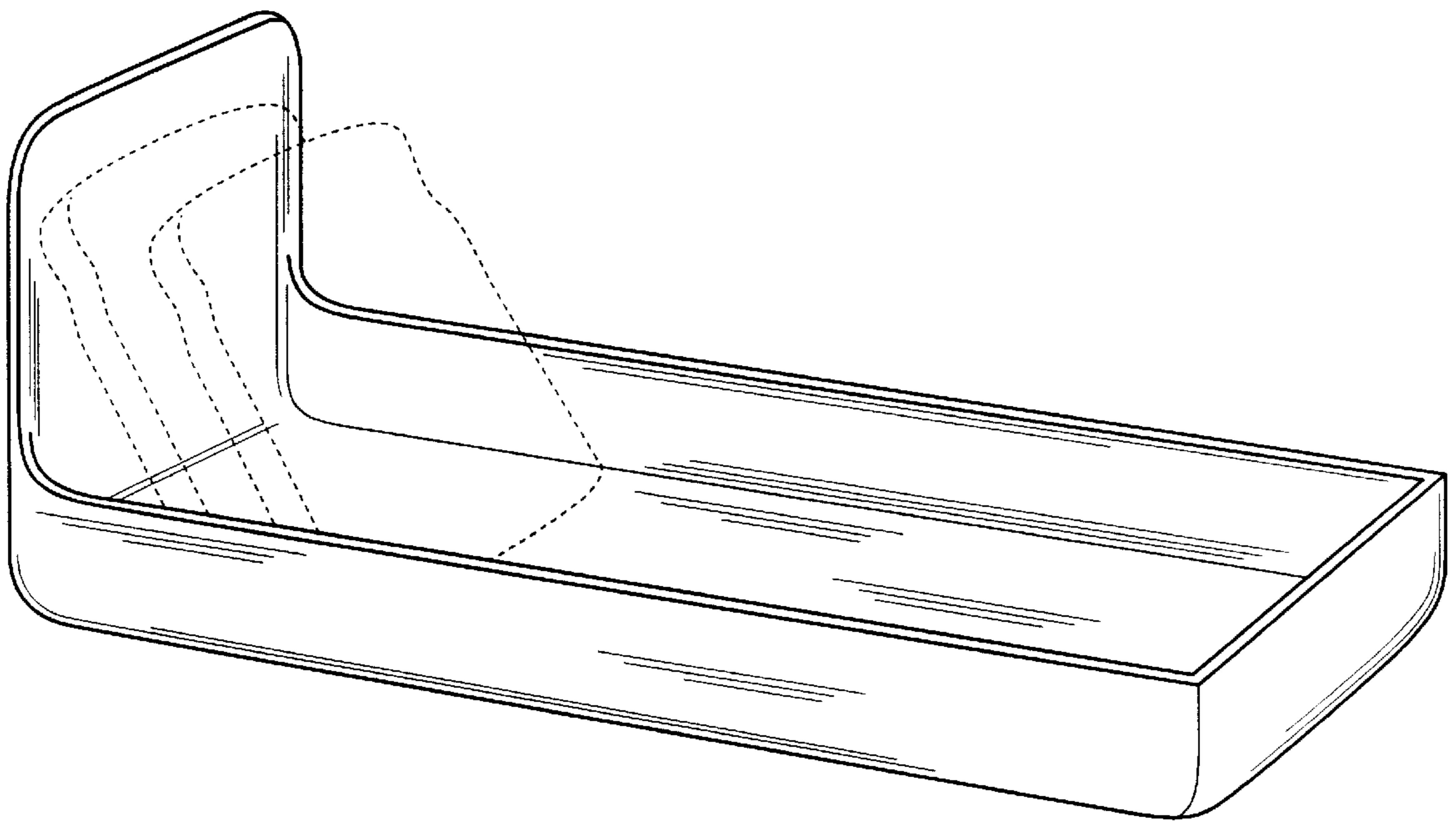


FIG. 2

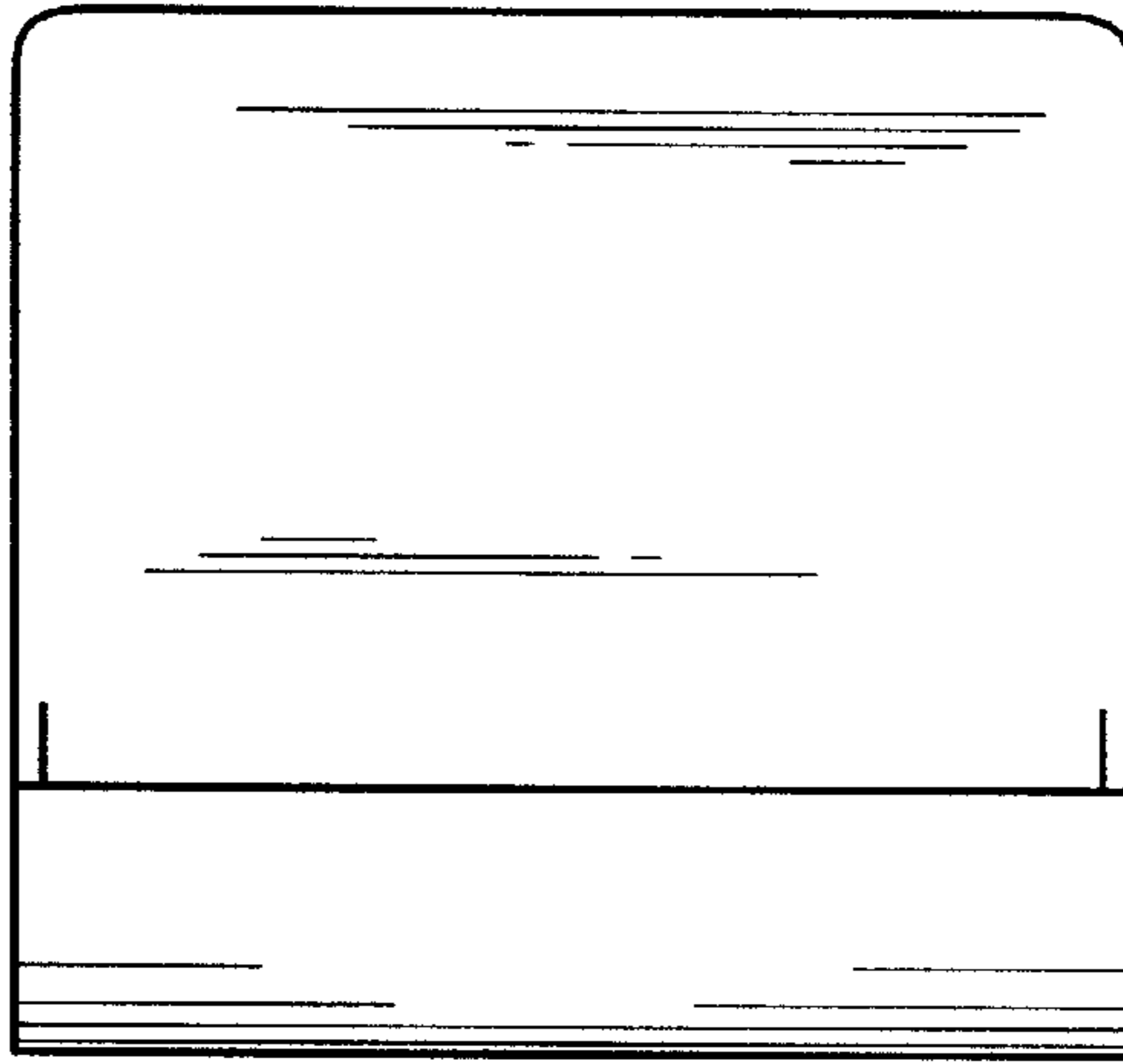


FIG. 3

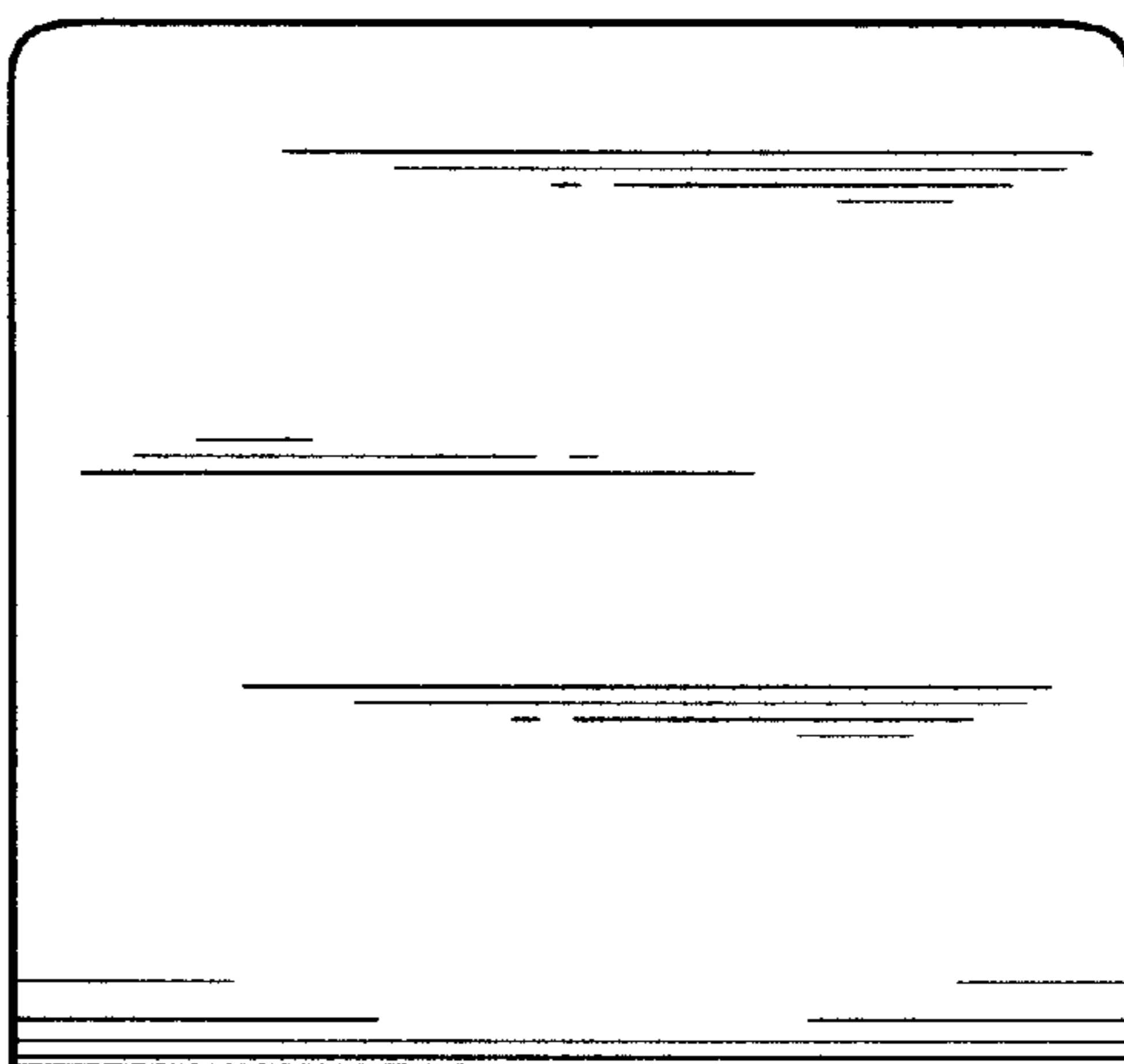


FIG. 4

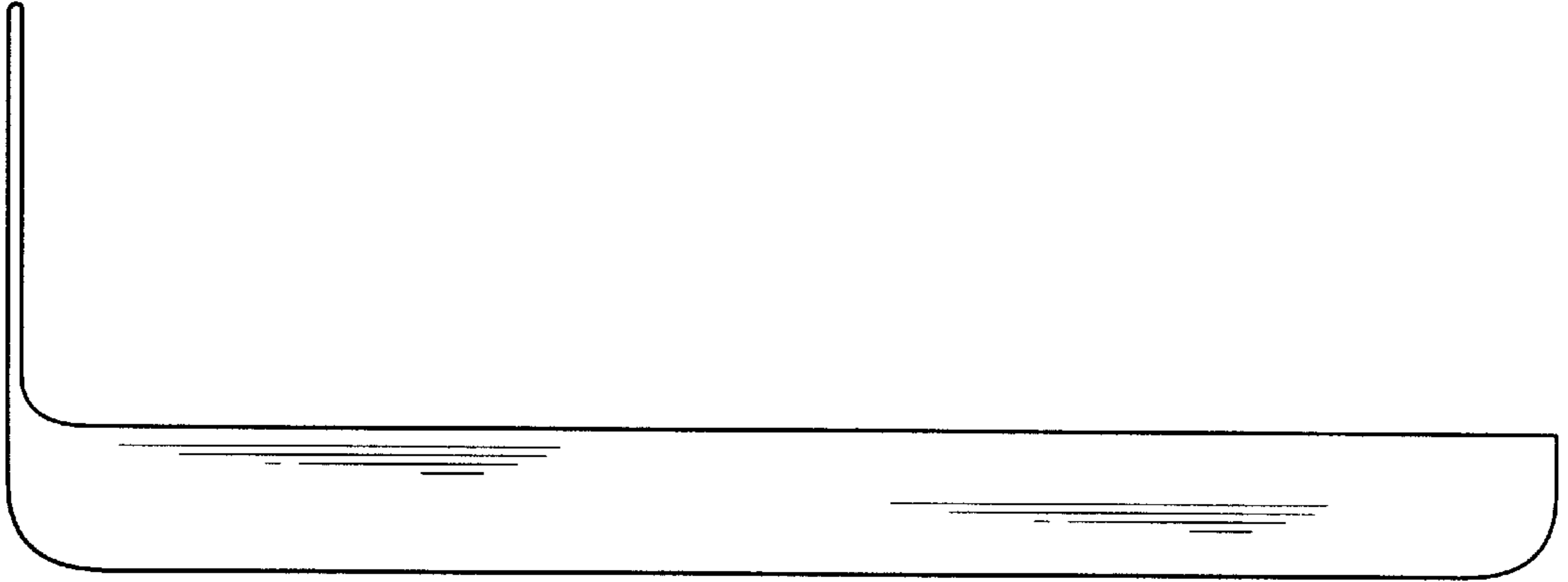


FIG. 5

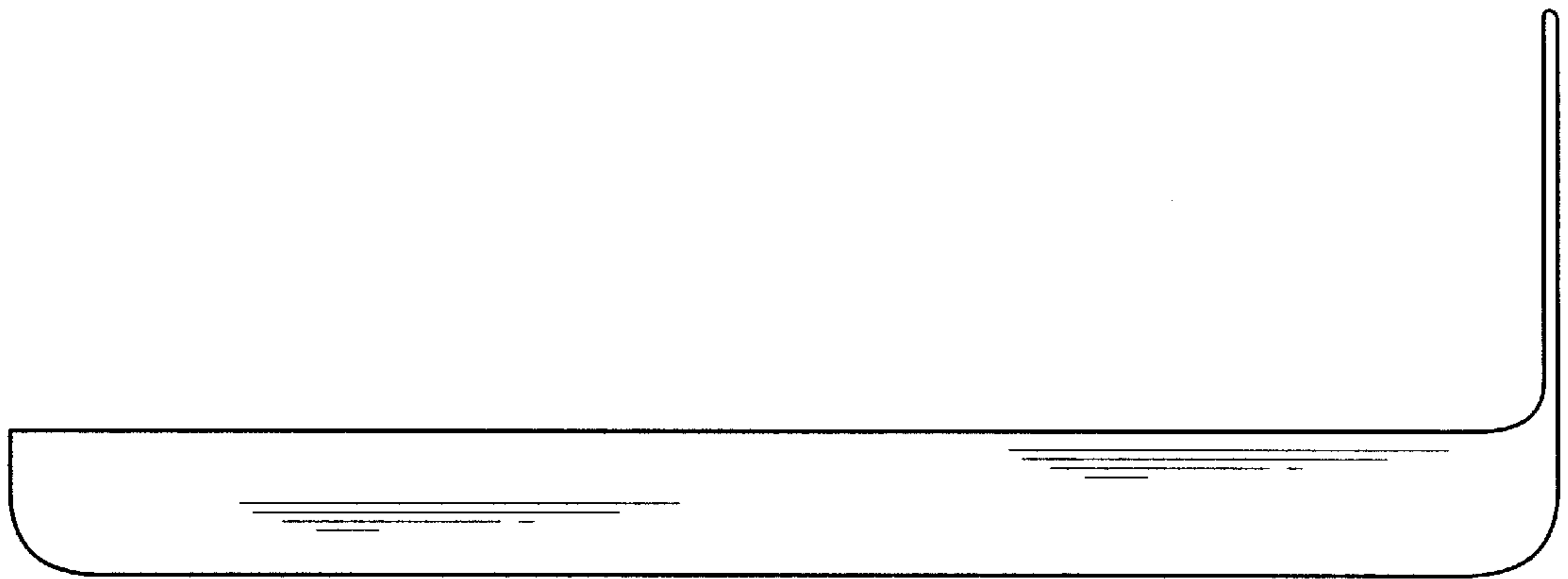


FIG. 6

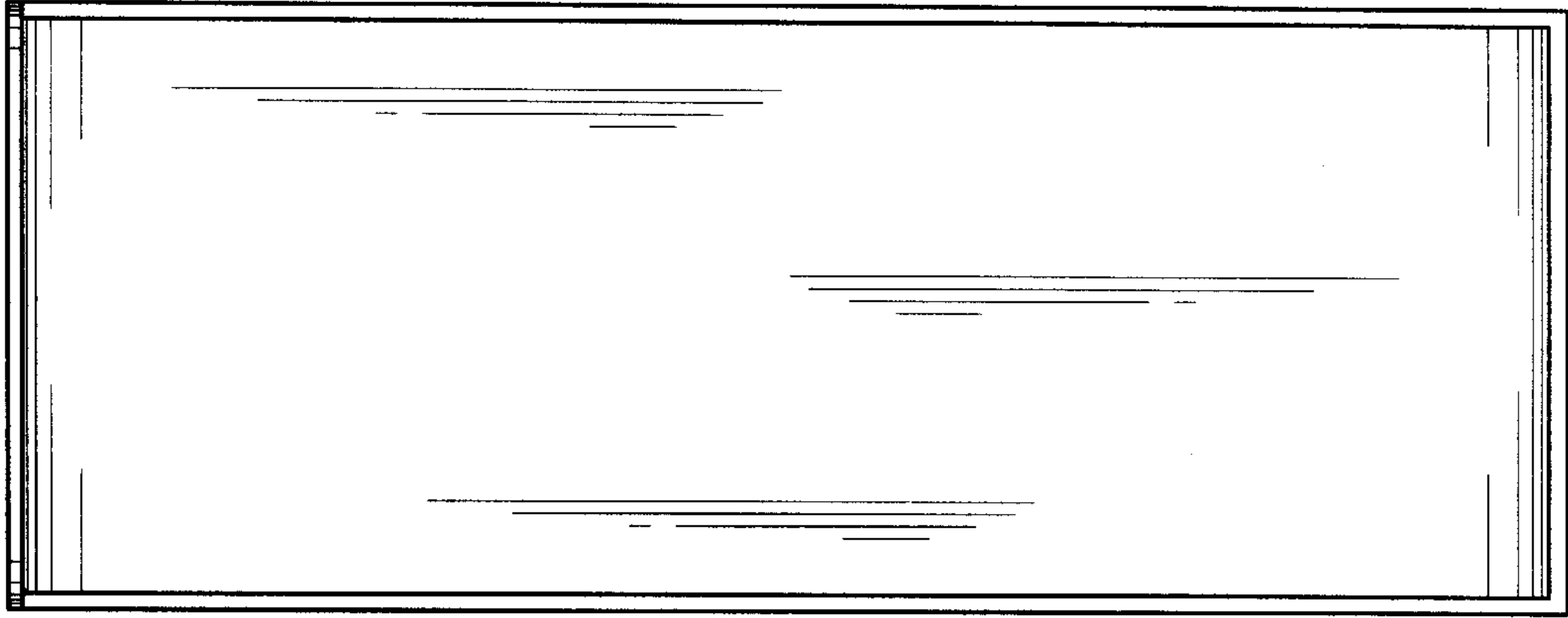


FIG. 7

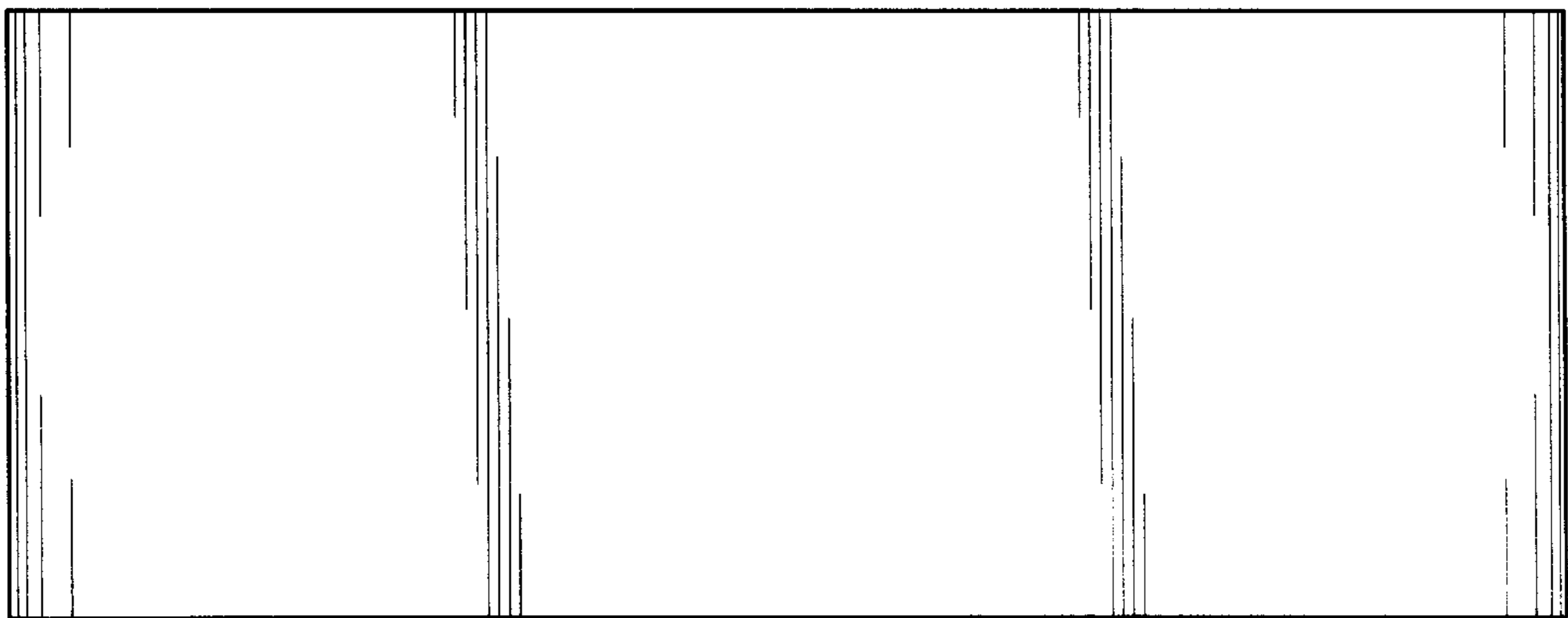


FIG. 8