



US00D472758S

(12) **United States Design Patent**
Ragan et al.

(10) **Patent No.:** **US D472,758 S**

(45) **Date of Patent:** **** Apr. 8, 2003**

(54) **ROASTER**

OTHER PUBLICATIONS

(76) Inventors: **Gary Ragan**, 1 Covenhoven Rd.,
Lebanon, NJ (US) 08833; **Adam**
Barrera, 61 Highbury St., Prospect SA
5082 (AU)

Cook's Essentials, Griller's Choice Electric Grill., Model
MG240, Owner's Manual & Recipe Guide, Jul. 1999, pp.
1-22.

* cited by examiner

(**) Term: **14 Years**

Primary Examiner—Caron D. Veynar

(21) Appl. No.: **29/153,708**

(74) *Attorney, Agent, or Firm*—Sonnenschein Nath &
Rosenthal

(22) Filed: **Jan. 11, 2002**

(57) **CLAIM**

(51) **LOC (7) Cl.** **07-02**

The ornamental design for a roaster, as shown and described.

(52) **U.S. Cl.** **D7/352**

DESCRIPTION

(58) **Field of Search** D7/323, 352-361,
D7/337, 350.1; 99/324, 339, 340, 372,
378, 385, 375, 341

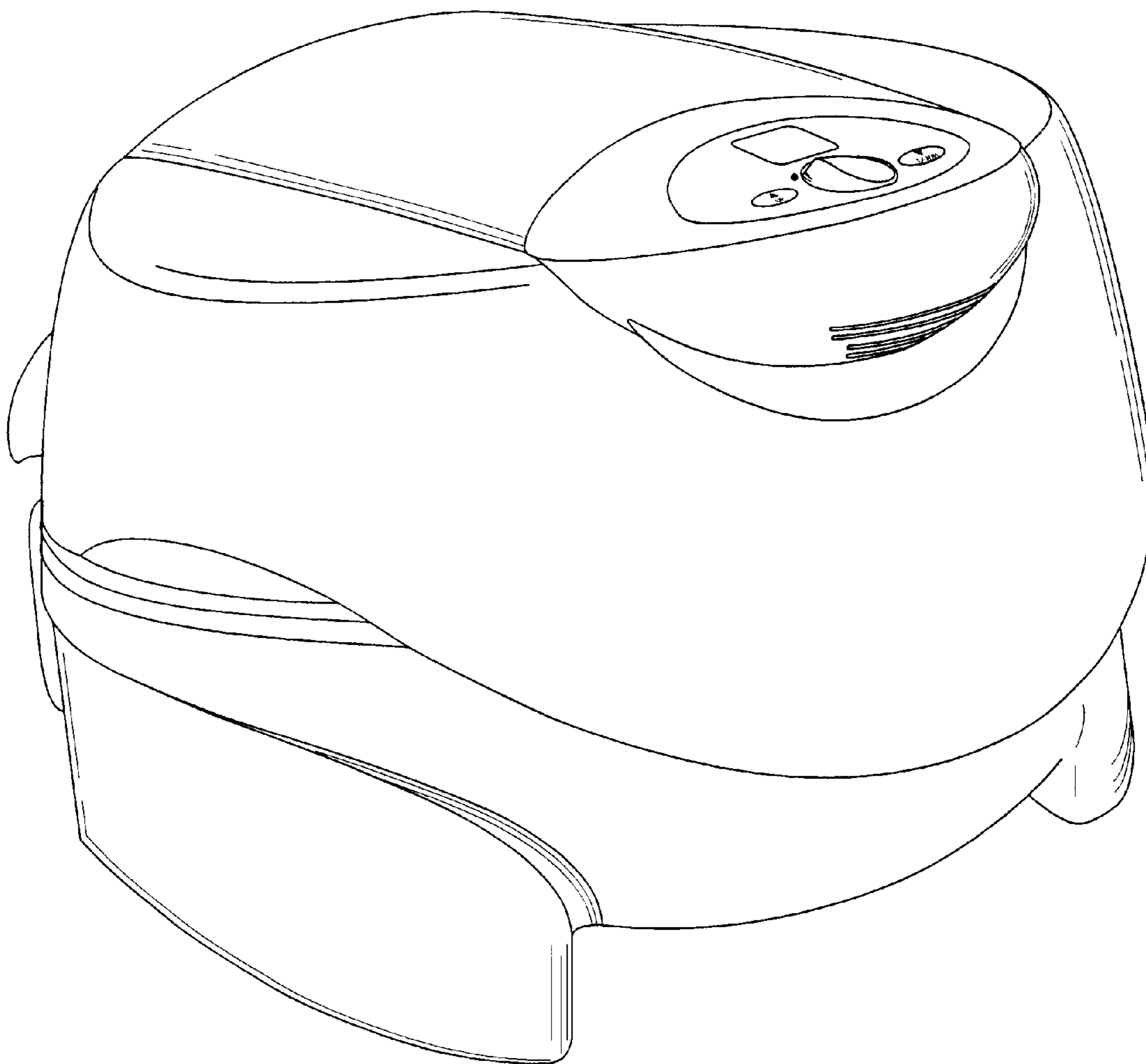
FIG. 1 is a frontal view of one embodiment of the roaster.
FIG. 2 is a side view of the roaster.
FIG. 3 is a top view of the roaster; and,
FIG. 4 is a perspective view of the roaster.

(56) **References Cited**

U.S. PATENT DOCUMENTS

D437,727 S * 2/2001 Gruaz D7/352

1 Claim, 4 Drawing Sheets



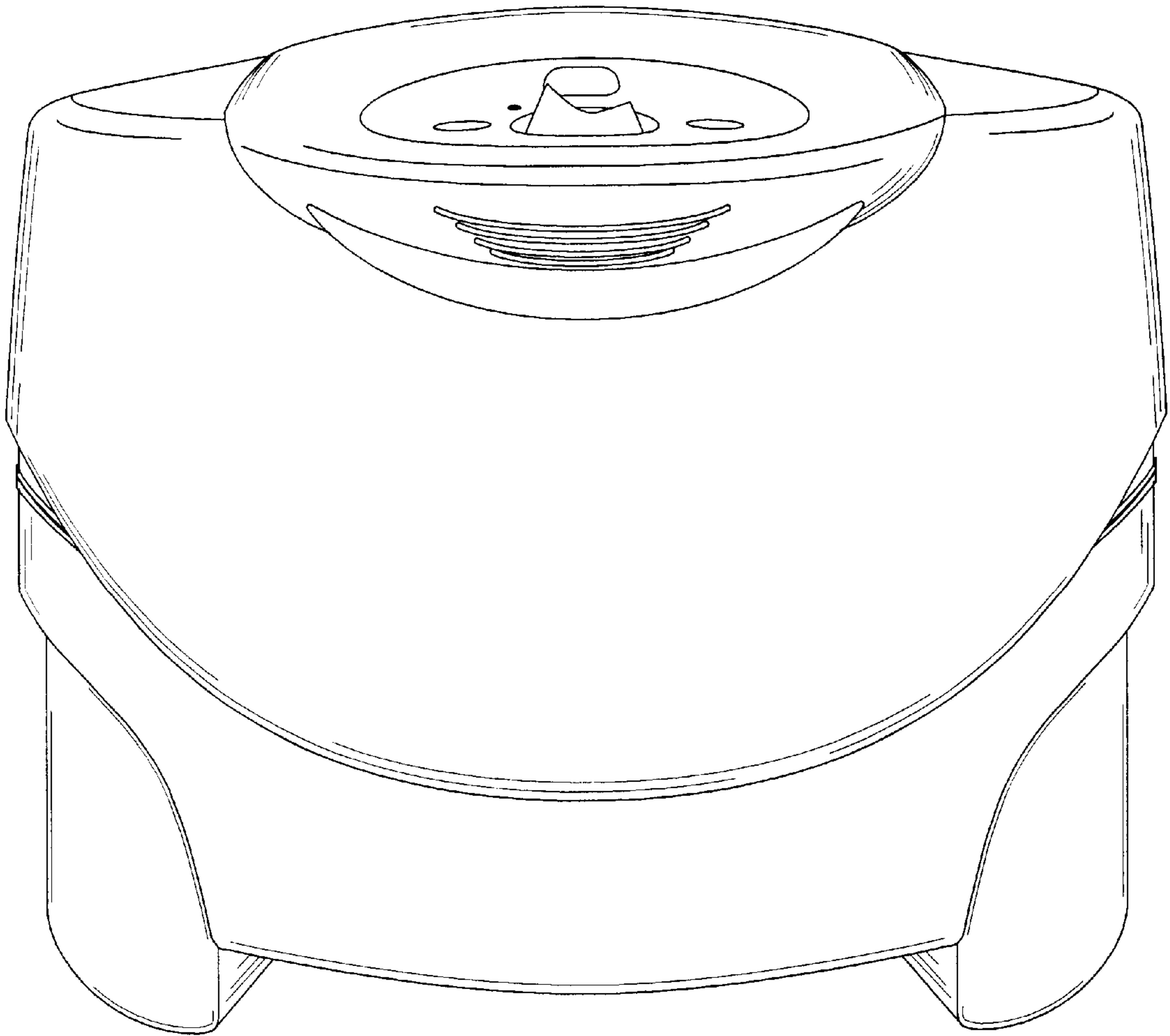


FIG. 1

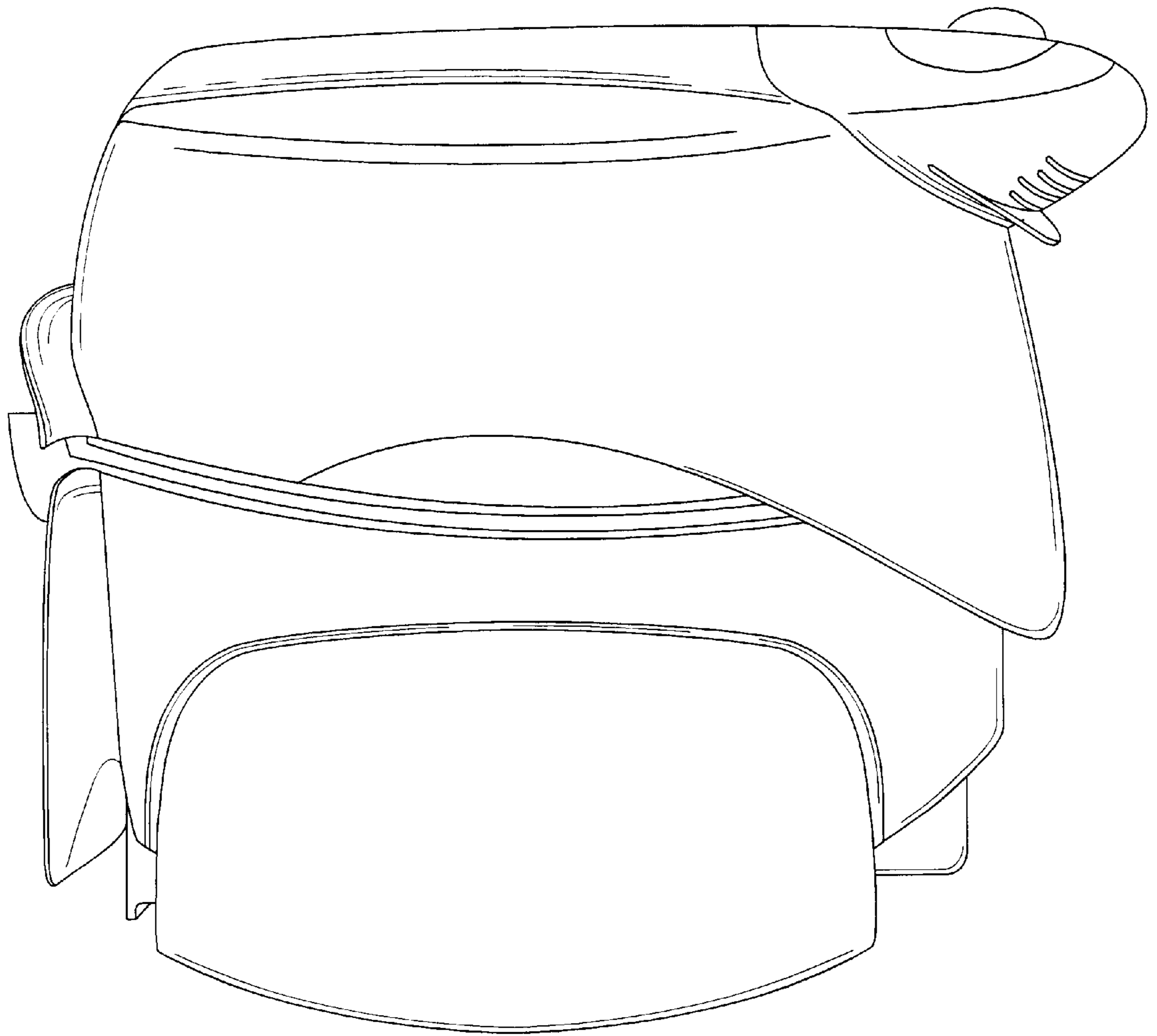


FIG. 2

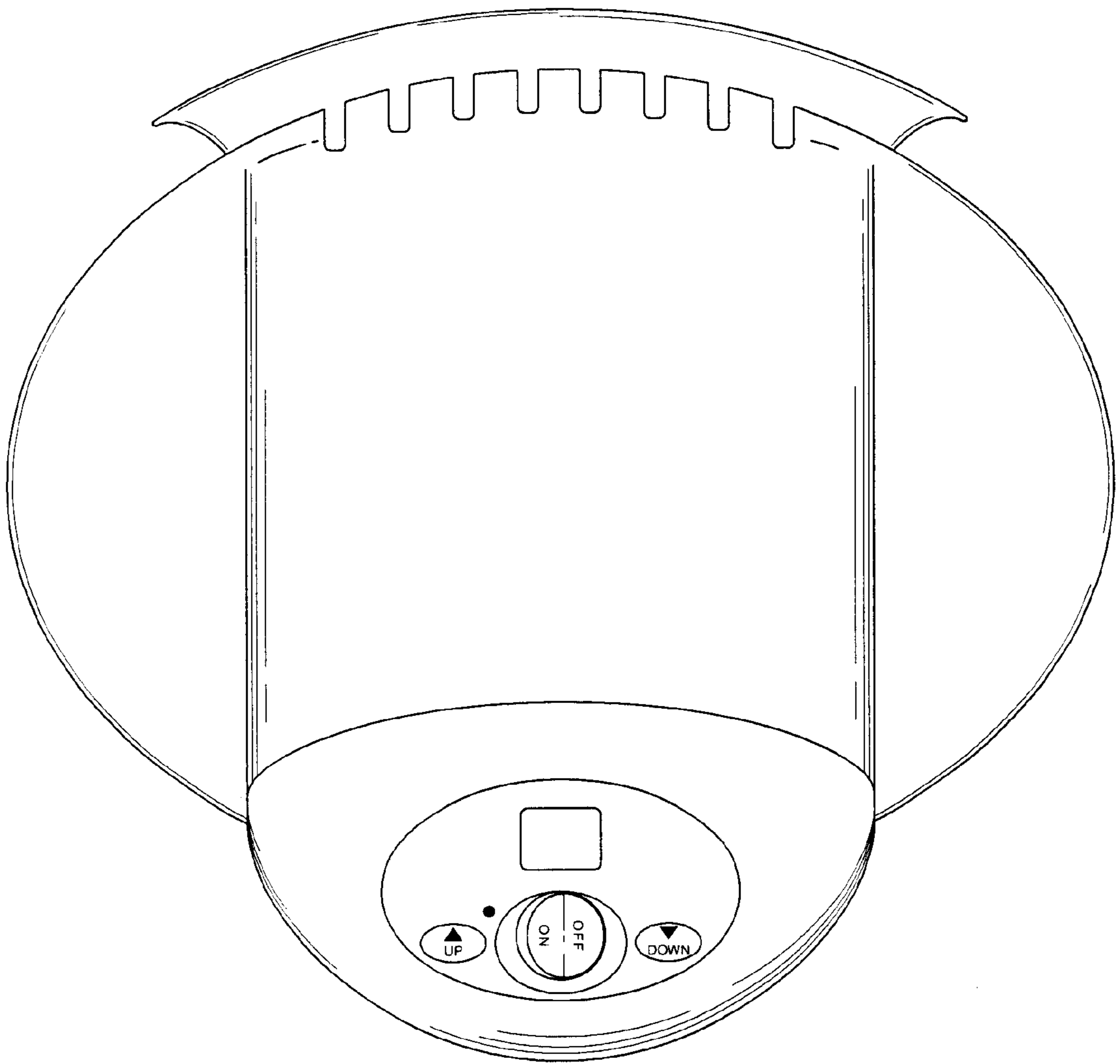


FIG. 3

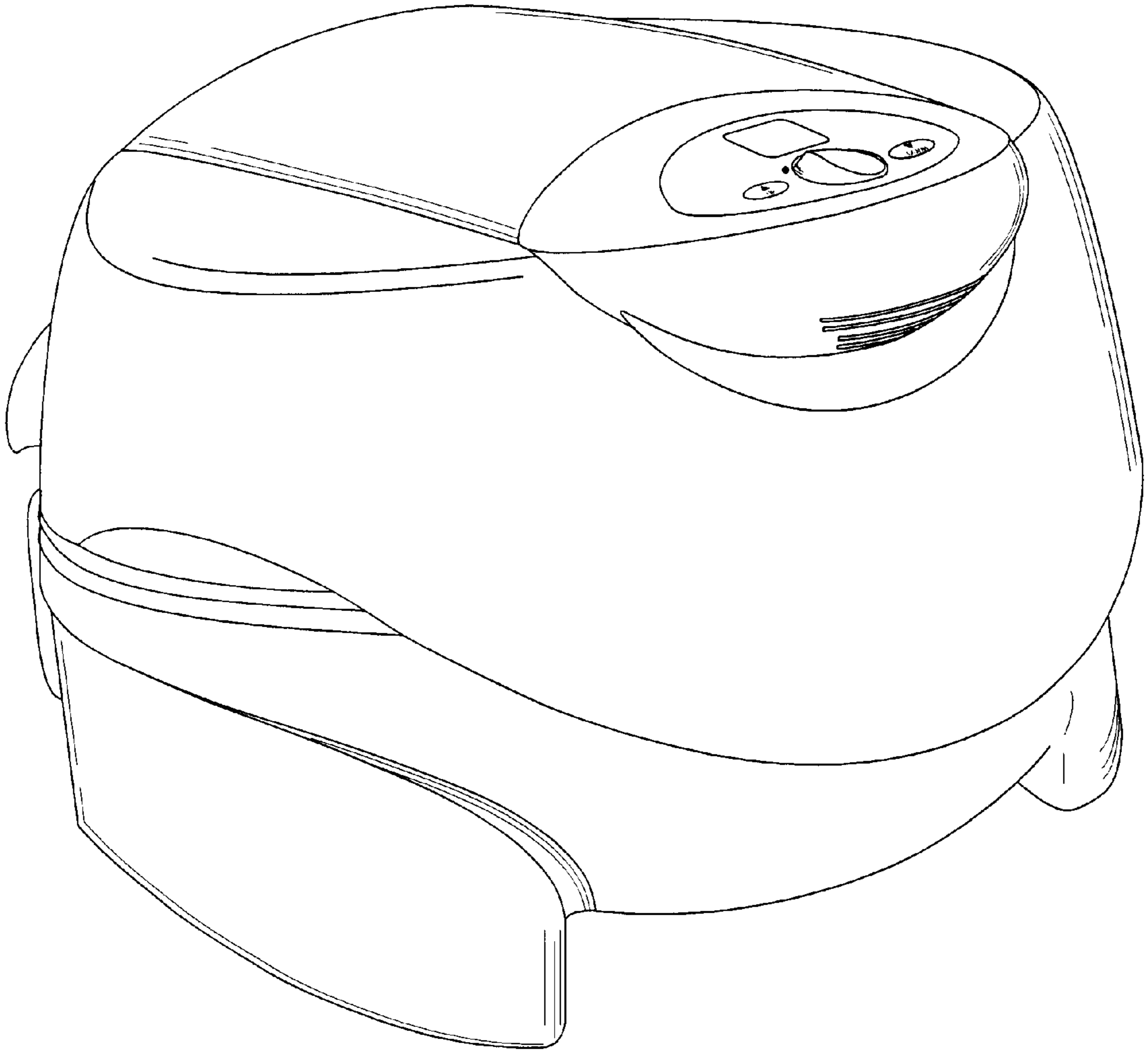


FIG. 4