



US00D472757S

(12) **United States Design Patent**
Schulte et al.

(10) **Patent No.:** **US D472,757 S**

(45) **Date of Patent:** **** Apr. 8, 2003**

(54) **COMBINED GRILL AND ASH CAN**

(75) Inventors: **Robert K. Schulte**, Augusta, KS (US);
Mitchell L. Wilgus, Andover, KS (US);
Heather L. Gerstenkorn, Wichita, KS (US)

(73) Assignee: **The Coleman Company, Inc.**, Wichita, KS (US)

(**) Term: **14 Years**

(21) Appl. No.: **29/165,404**

(22) Filed: **Aug. 9, 2002**

(51) **LOC (7) Cl.** **07-02**

(52) **U.S. Cl.** **D7/334**

(58) **Field of Search** D7/332, 334, 335,
D7/336, 337, 402-404; 126/25 R, 25 A,
25 AA, 41 R, 29-30, 9 R, 38; 99/419 R

(56) **References Cited**

U.S. PATENT DOCUMENTS

D358,059 S * 5/1995 Peterson et al. D7/334
D361,466 S * 8/1995 Peterson et al. D7/334

D456,202 S * 4/2002 McNair et al. D7/332
D459,142 S * 6/2002 Wu D7/334
D459,938 S * 7/2002 Pai D7/334
D460,312 S * 7/2002 Fry et al. D7/334
D463,953 S * 10/2002 Hsu D7/402
D464,843 S 10/2002 Schulte et al.

* cited by examiner

Primary Examiner—Ruth McInroy

(57) **CLAIM**

The ornamental design for a combined grill and ash can, as shown and described.

DESCRIPTION

FIG. 1 is a top, right front perspective view of a combined grill and ash can showing our new design;
FIG. 2 is a top view thereof;
FIG. 3 is a front view thereof;
FIG. 4 is a rear view thereof;
FIG. 5 is a bottom view thereof;
FIG. 6 is a left side view thereof; and,
FIG. 7 is a right side view thereof.

1 Claim, 4 Drawing Sheets

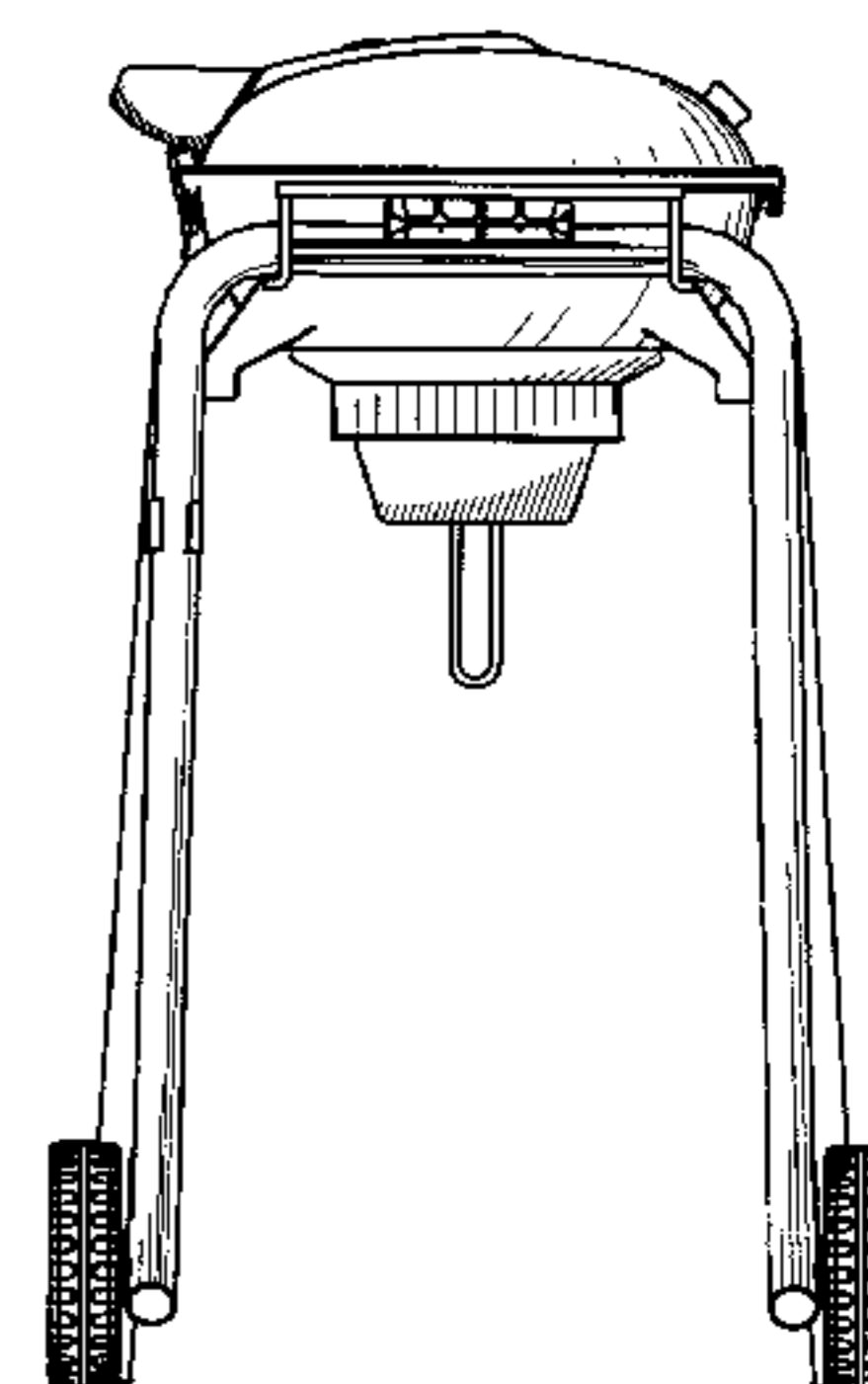
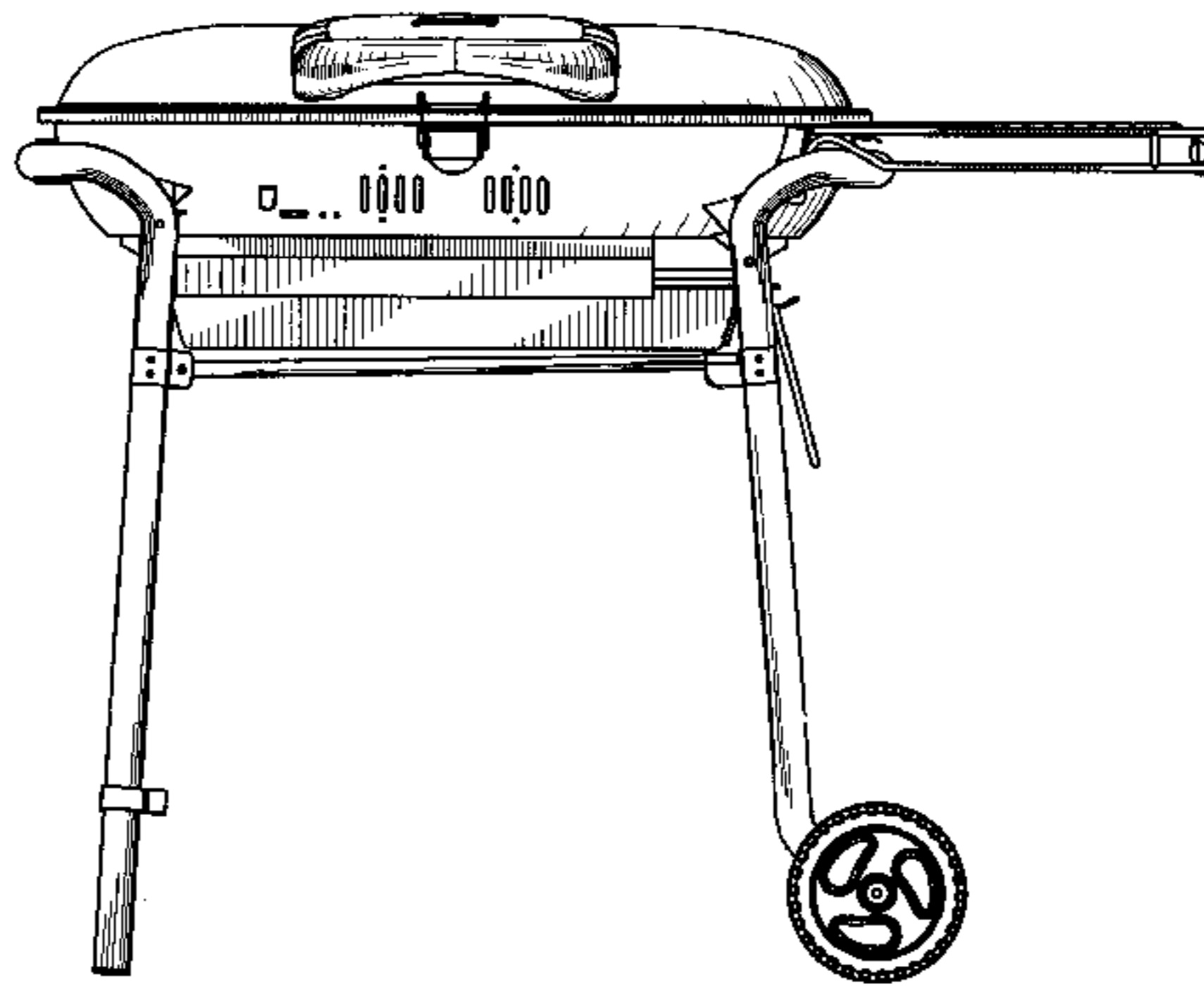
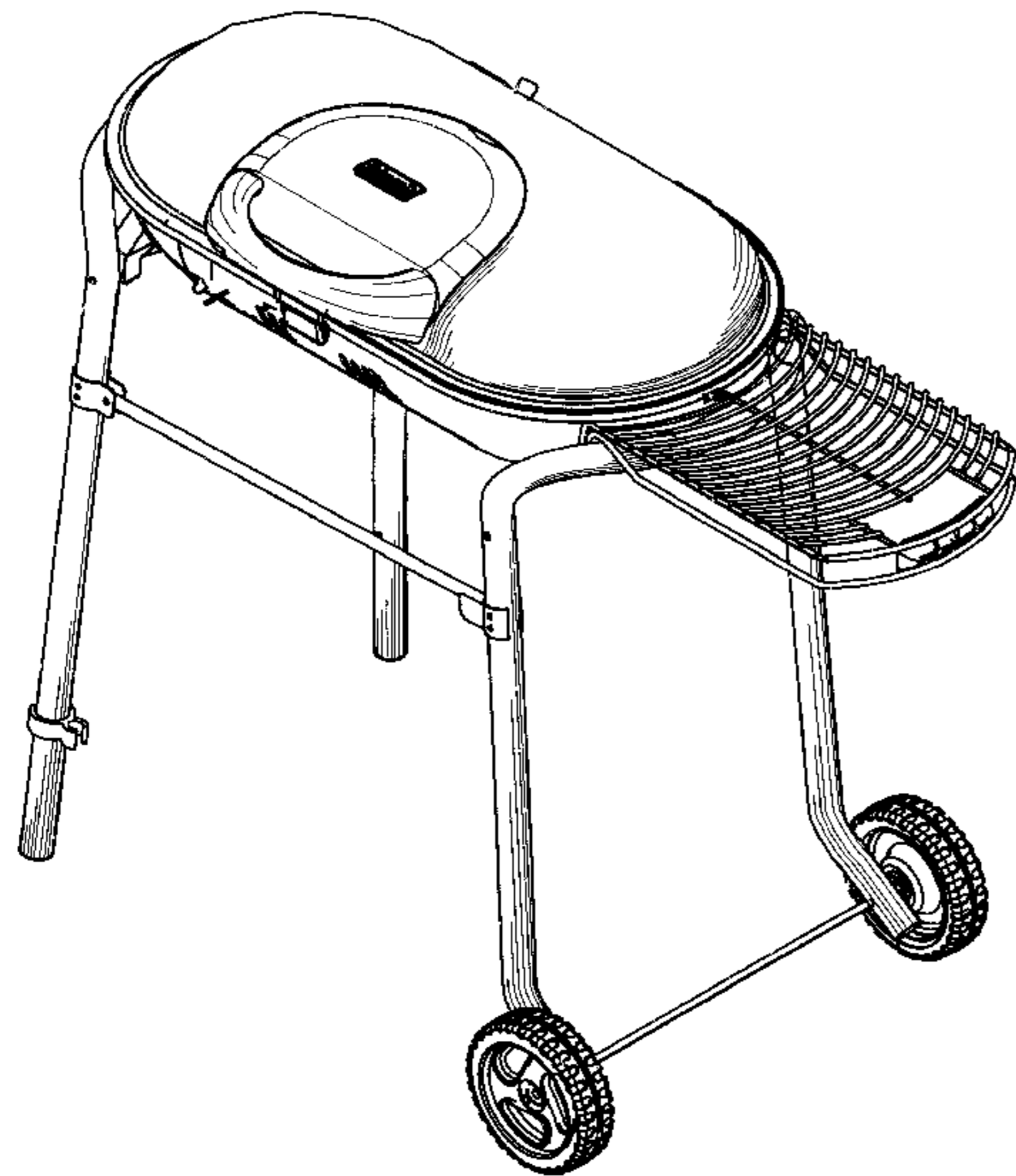


FIG. 1

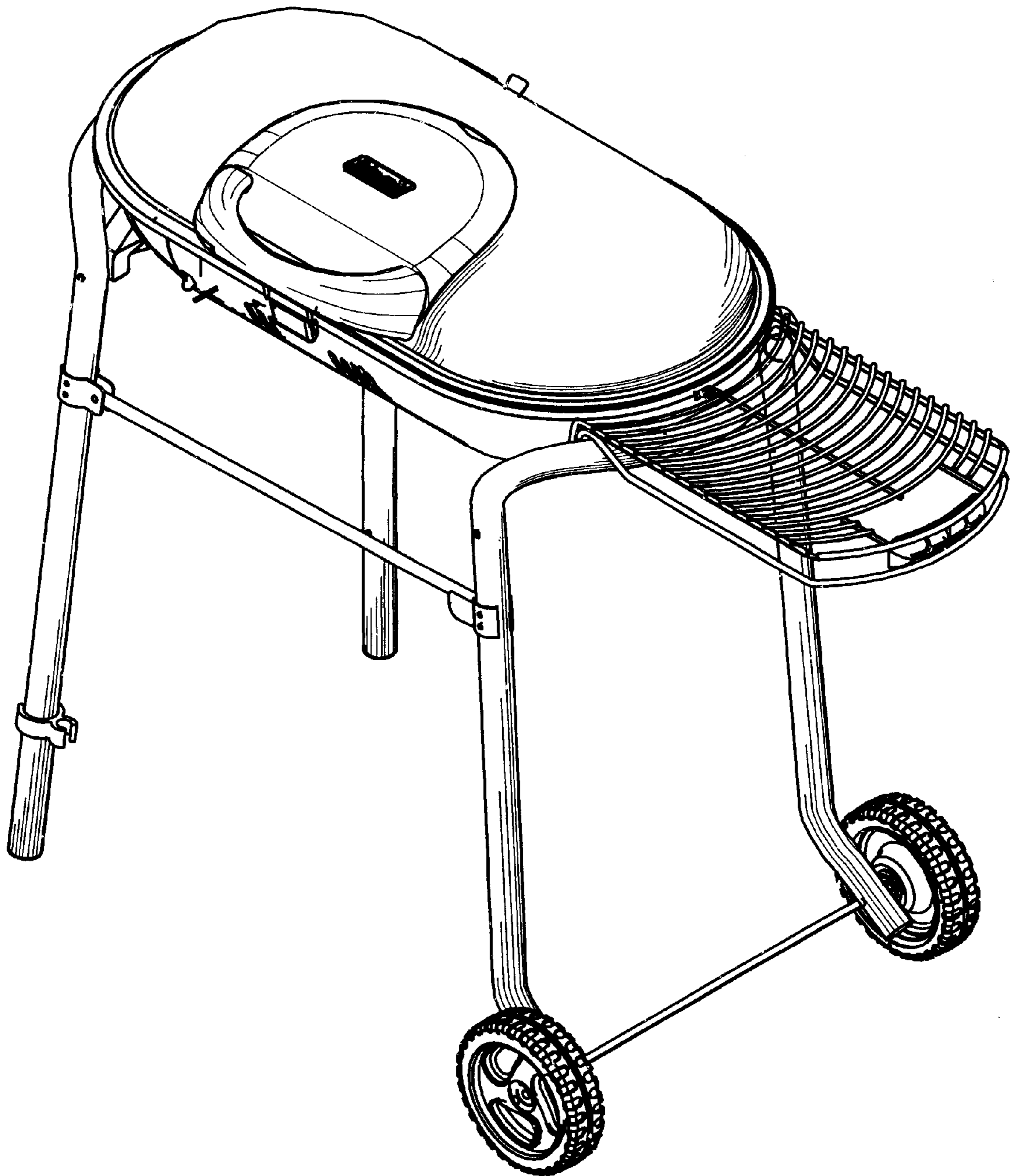


FIG. 2

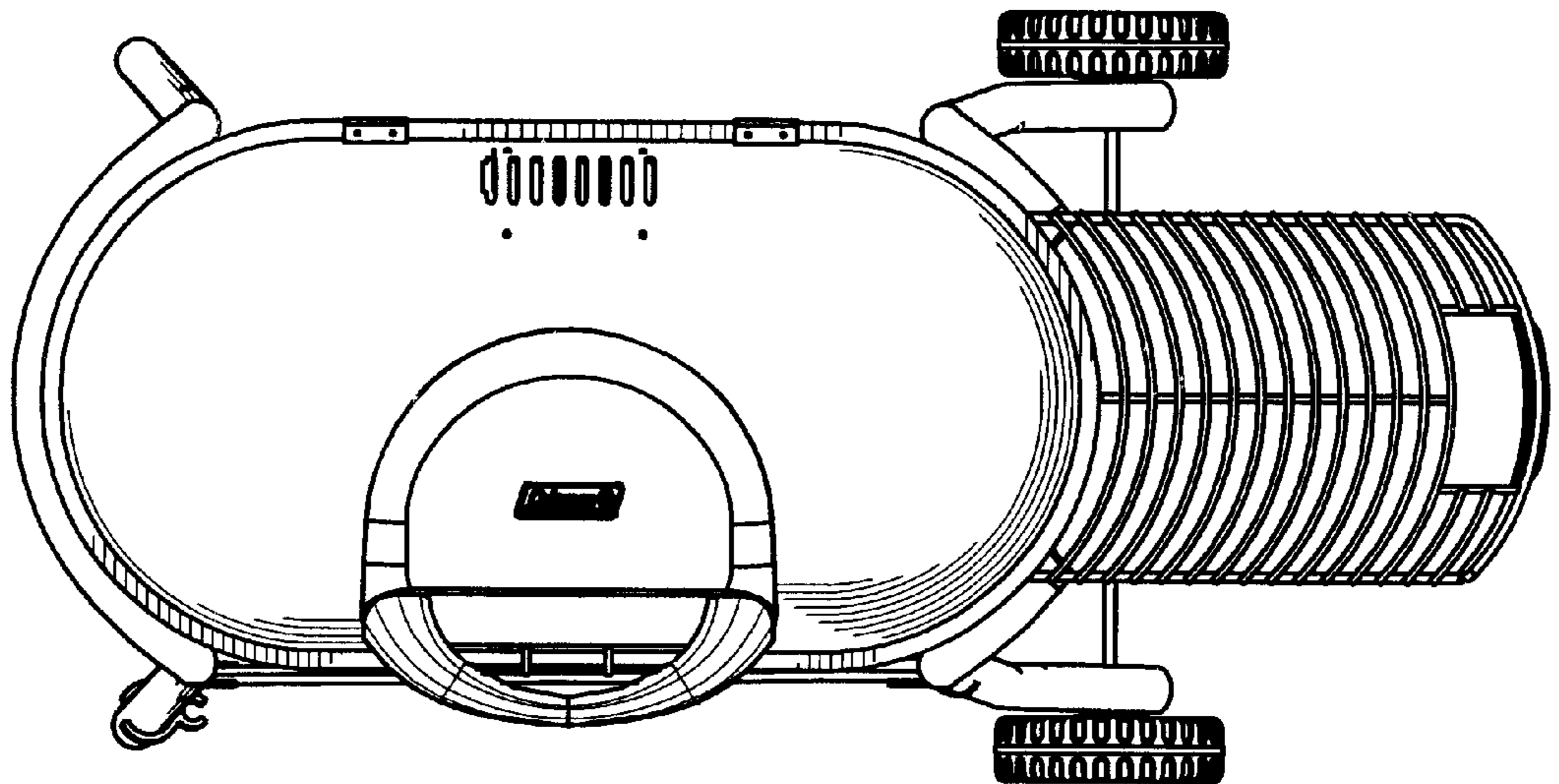


FIG. 3

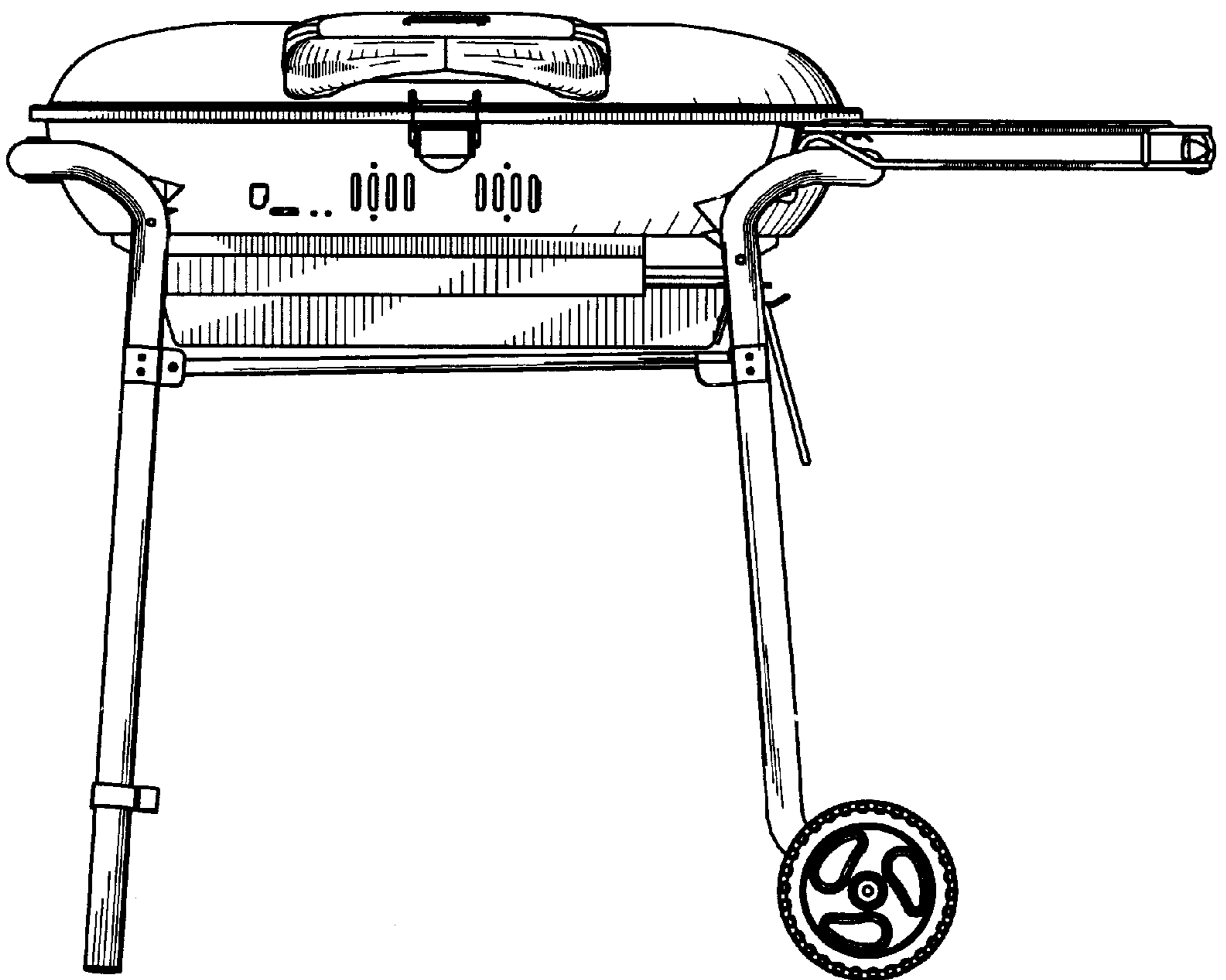


FIG. 4

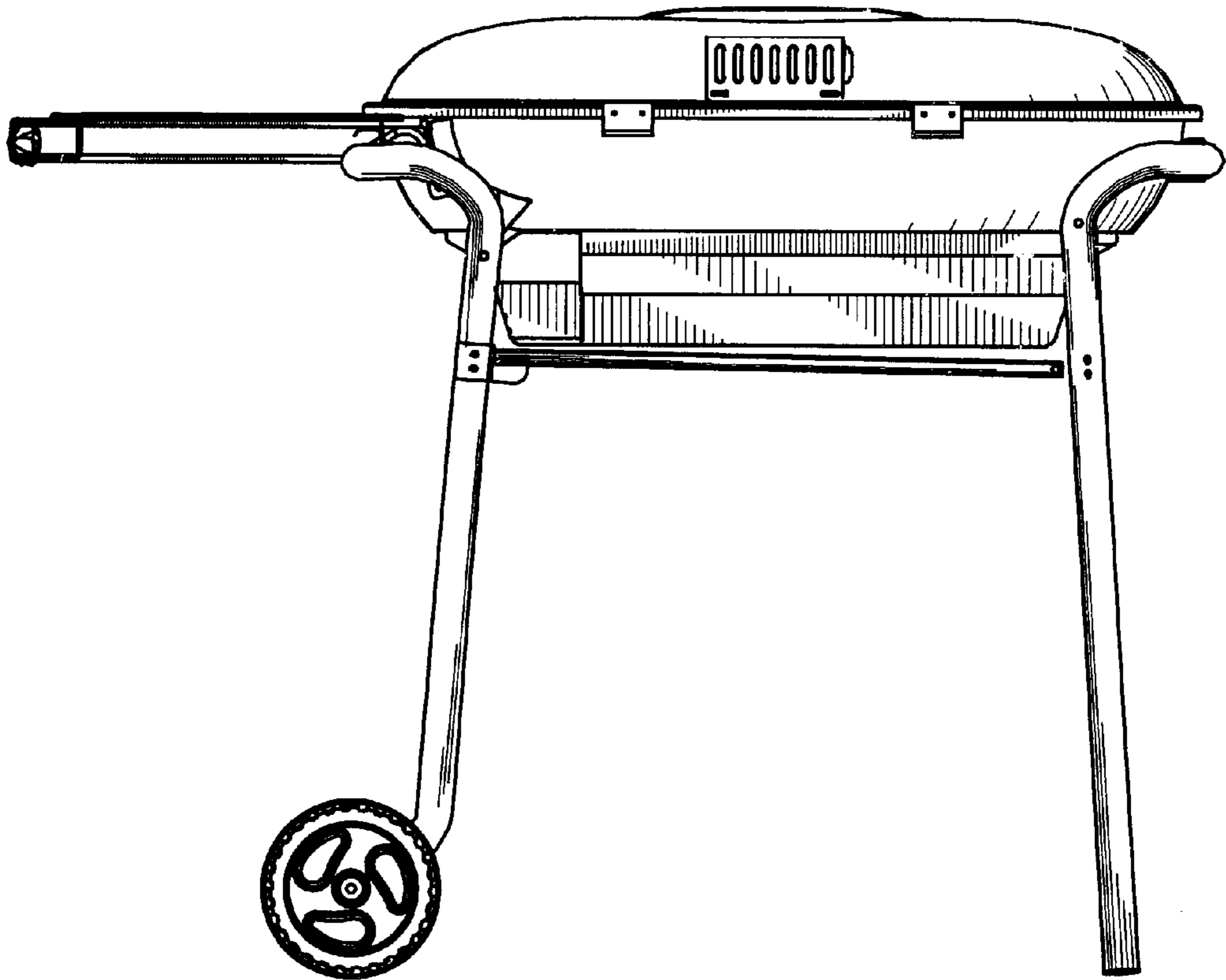


FIG. 5

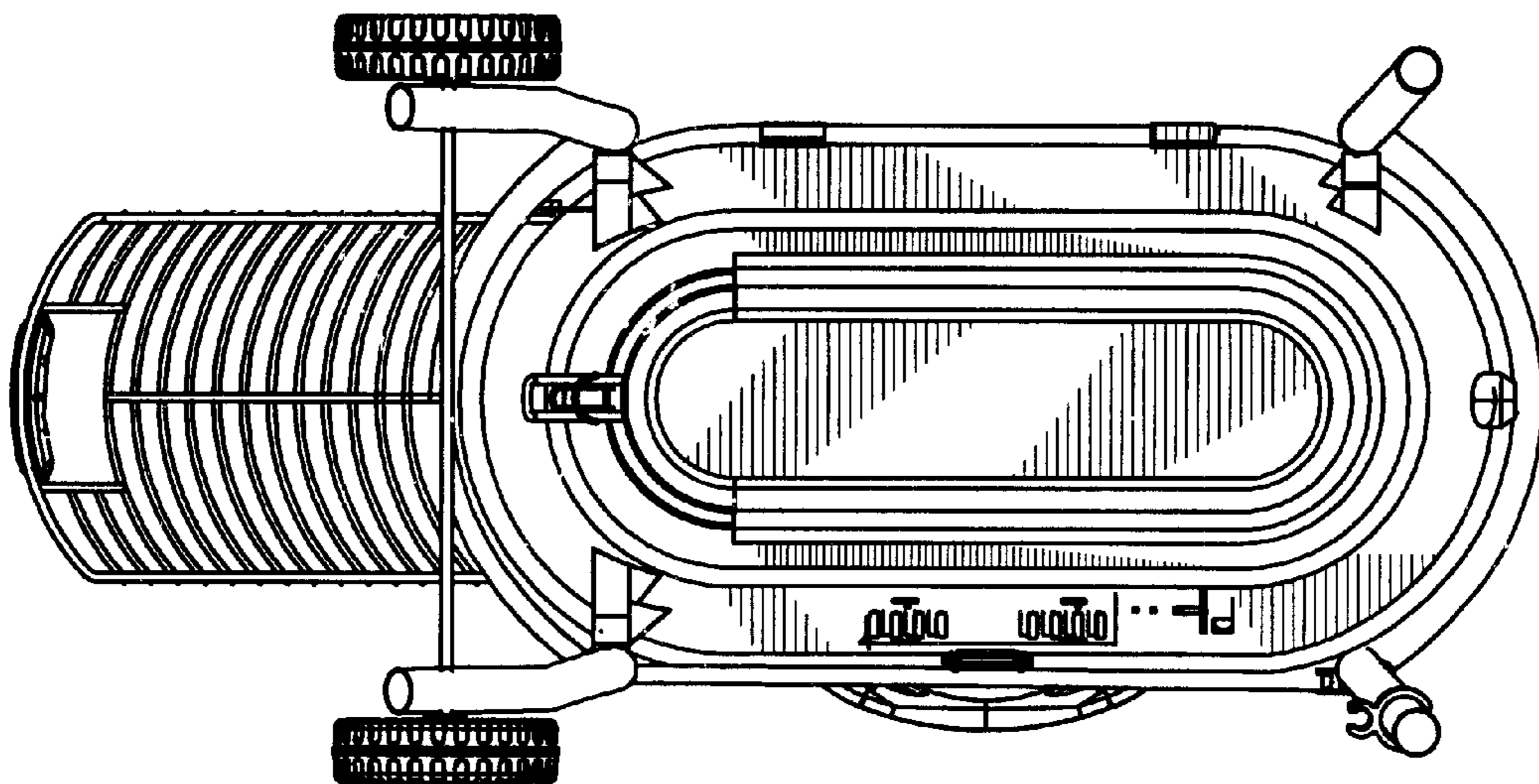


FIG. 7

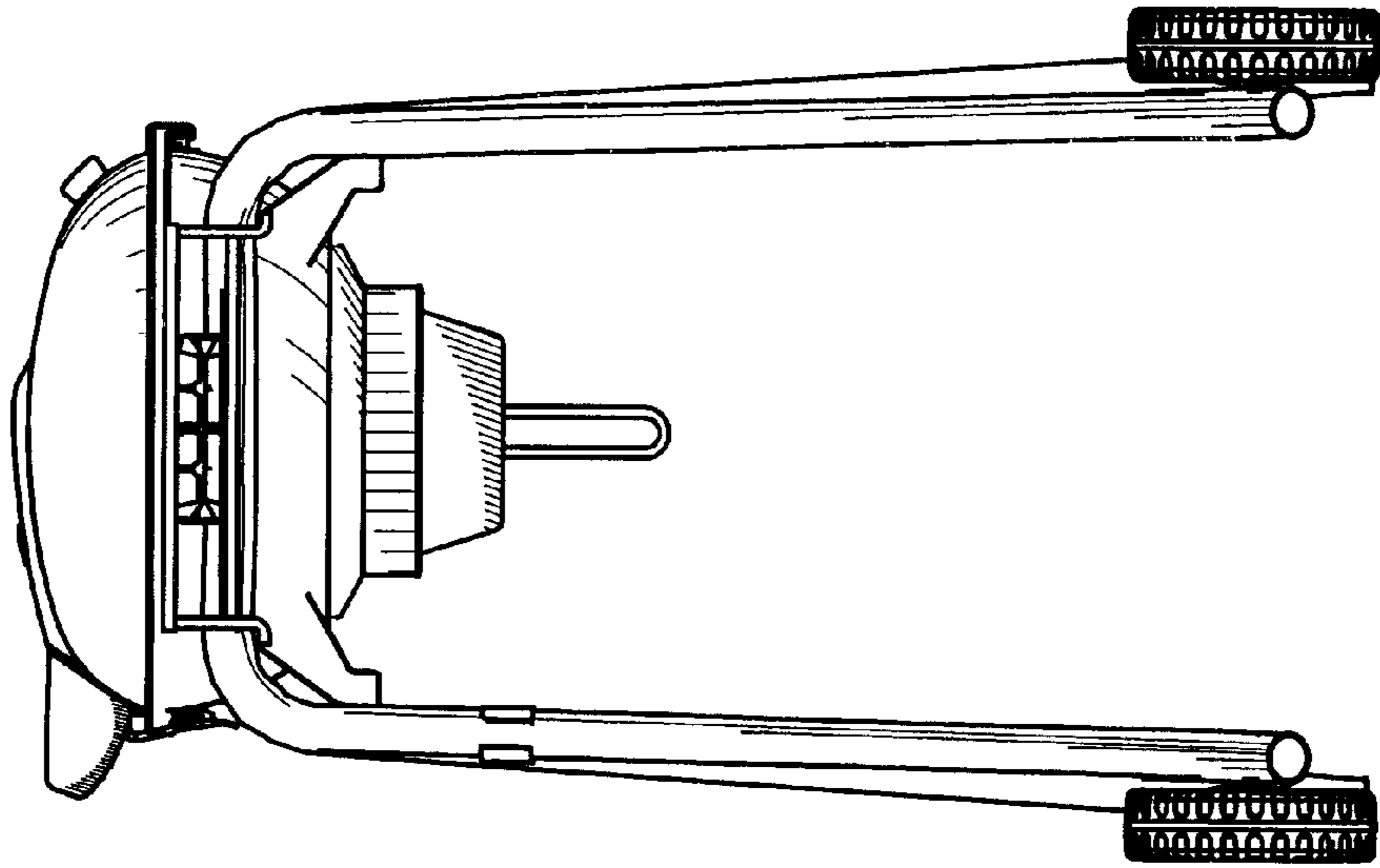


FIG. 6

