



US00D472754S

(12) **United States Design Patent**
Long et al.

(10) **Patent No.: US D472,754 S**
(45) **Date of Patent: ** Apr. 8, 2003**

(54) **CAMPING COFFEE MAKER**
(75) Inventors: **Norris Richard Long**, Wichita, KS
(US); **Kelly Wright**, Wichita, KS (US)
(73) Assignee: **The Coleman Company, Inc.**, Wichita,
KS (US)
(**) Term: **14 Years**
(21) Appl. No.: **29/165,184**
(22) Filed: **Aug. 6, 2002**
(51) **LOC (7) Cl. 07-01**
(52) **U.S. Cl. D7/309; D7/310; D7/311**
(58) **Field of Search D7/300, 309, 307,**
D7/310, 311, 312, 313; 99/289 R, 283,
307, 280, 291, 275; 222/169, 367, 129.1-129.4;
219/432

D94,194 S * 1/1935 Ehrenreich D7/309
2,065,211 A 12/1936 Carvalho
2,574,587 A 11/1951 Parnes et al.
D239,758 S * 5/1976 Claxton et al. D7/309
4,069,750 A * 1/1978 Kemp 99/280
4,557,187 A 12/1985 DePonti
D290,216 S * 6/1987 Precht D7/309
D300,596 S * 4/1989 Eugster D7/309
D345,484 S * 3/1994 Mason D7/309
D403,199 S * 12/1998 Micoley D7/309
D446,989 S * 8/2001 Cruz D7/309
D453,088 S * 1/2002 Bell et al. D7/307
D453,656 S * 2/2002 Byler et al. D7/309
D454,023 S * 3/2002 Wang D7/309
D462,226 S * 9/2002 Williamson et al. D7/309
D462,865 S * 9/2002 Honan et al. D7/309

* cited by examiner

Primary Examiner—M. N. Pandozzi

(56) **References Cited**
U.S. PATENT DOCUMENTS

384,411 A 6/1888 Babin
683,259 A 9/1901 Durel
959,110 A 5/1910 Buck
1,115,451 A 10/1914 Pons et al.
1,247,396 A 11/1917 Guimães
1,574,154 A 2/1926 Kelly
1,655,014 A 1/1928 Herring
RE17,077 E 9/1928 Pouget
1,754,553 A 4/1930 Hagel
D85,966 S * 1/1932 Wolcott D7/313
1,845,020 A 2/1932 Haines
1,852,356 A 4/1932 Mercier 99/307
1,882,140 A 10/1932 Haines

(57) **CLAIM**

The ornamental design for a camping coffee maker, as shown and described.

DESCRIPTION

FIG. 1 is a top, right front perspective view of a camping coffee maker showing our new design; FIG. 2 is a left side view thereof; FIG. 3 is a front view thereof; FIG. 4 is a rear view thereof; FIG. 5 is a right side view thereof; FIG. 6 is a top view thereof; and, FIG. 7 is a bottom view thereof.

1 Claim, 4 Drawing Sheets

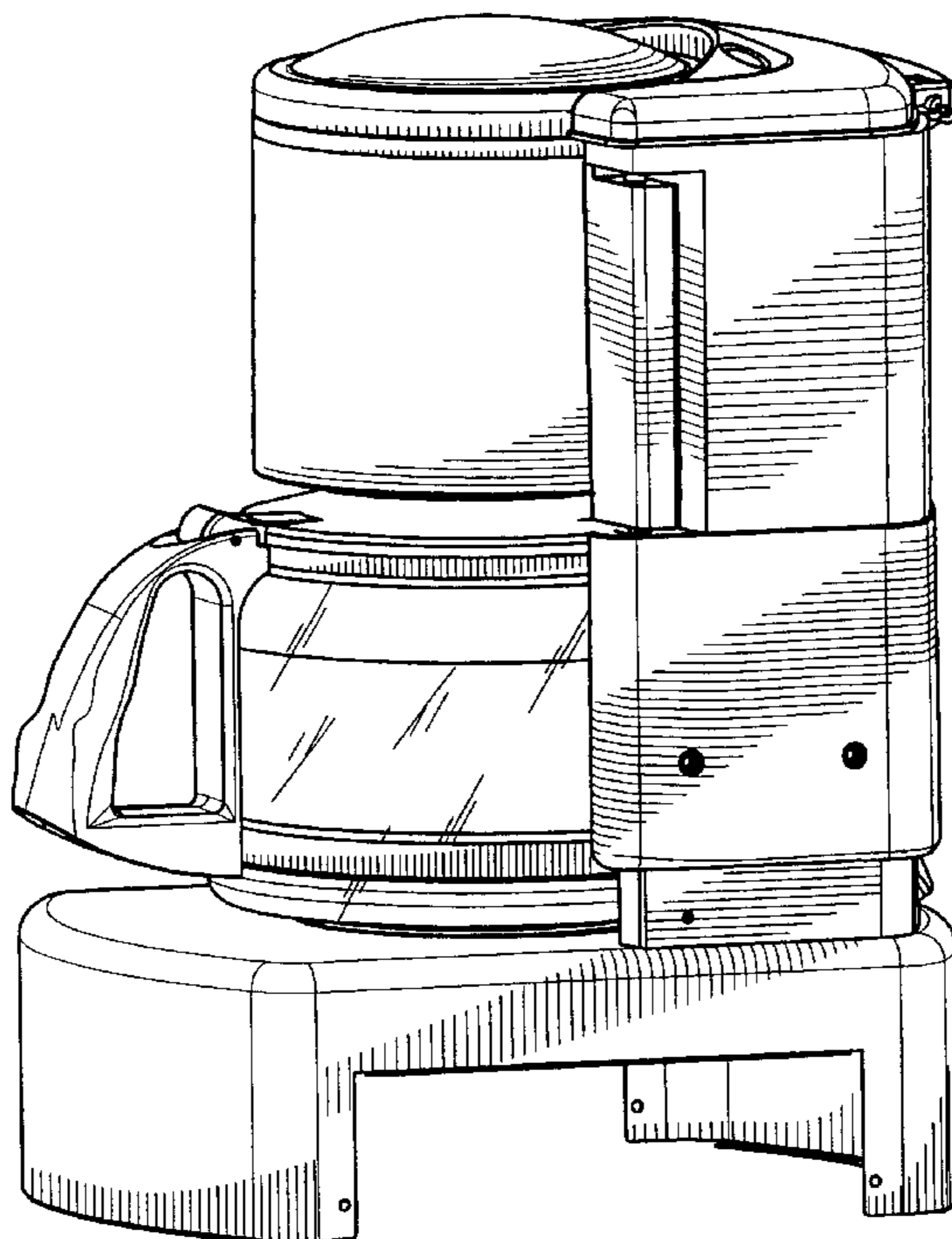


FIG. 1

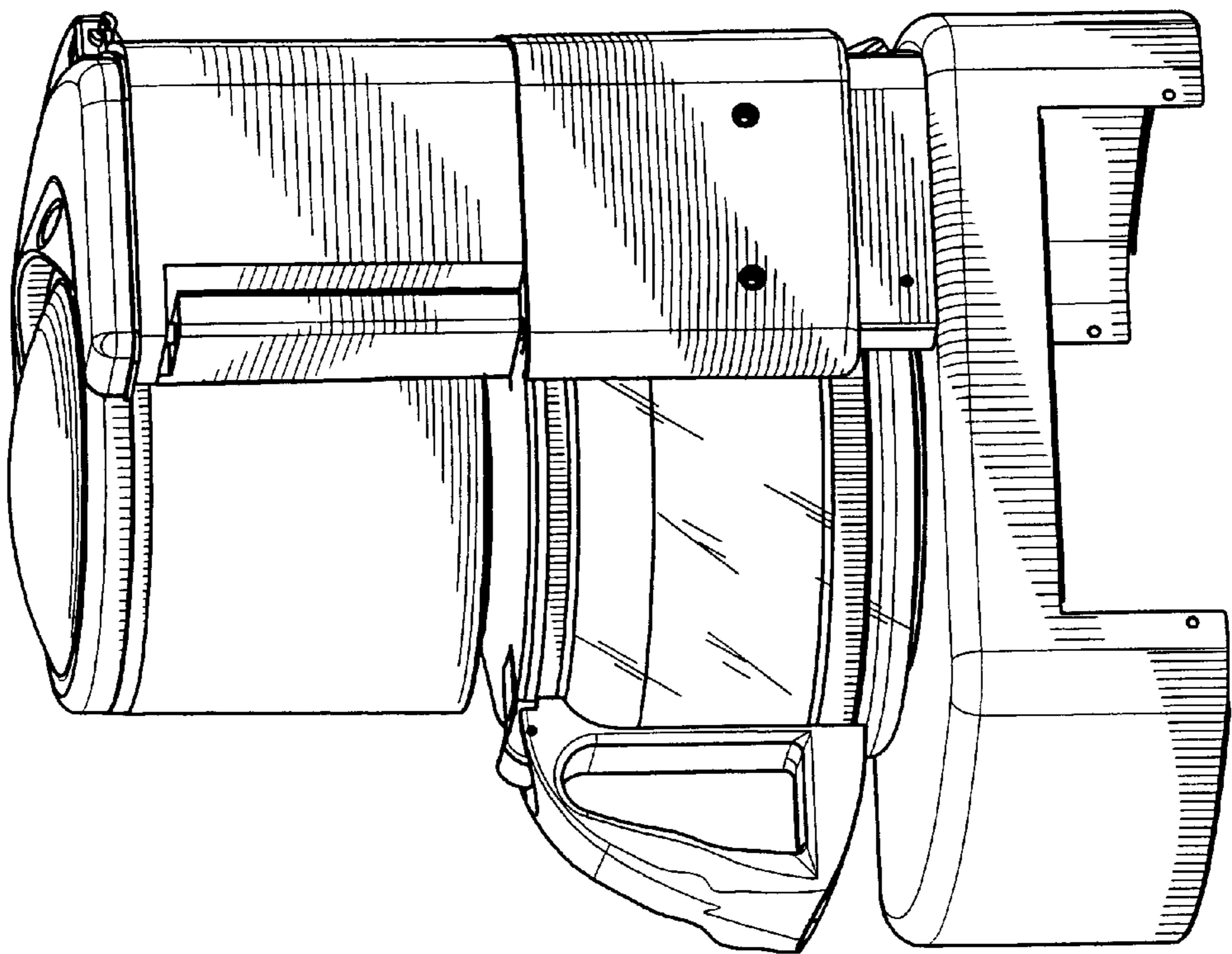


FIG. 3

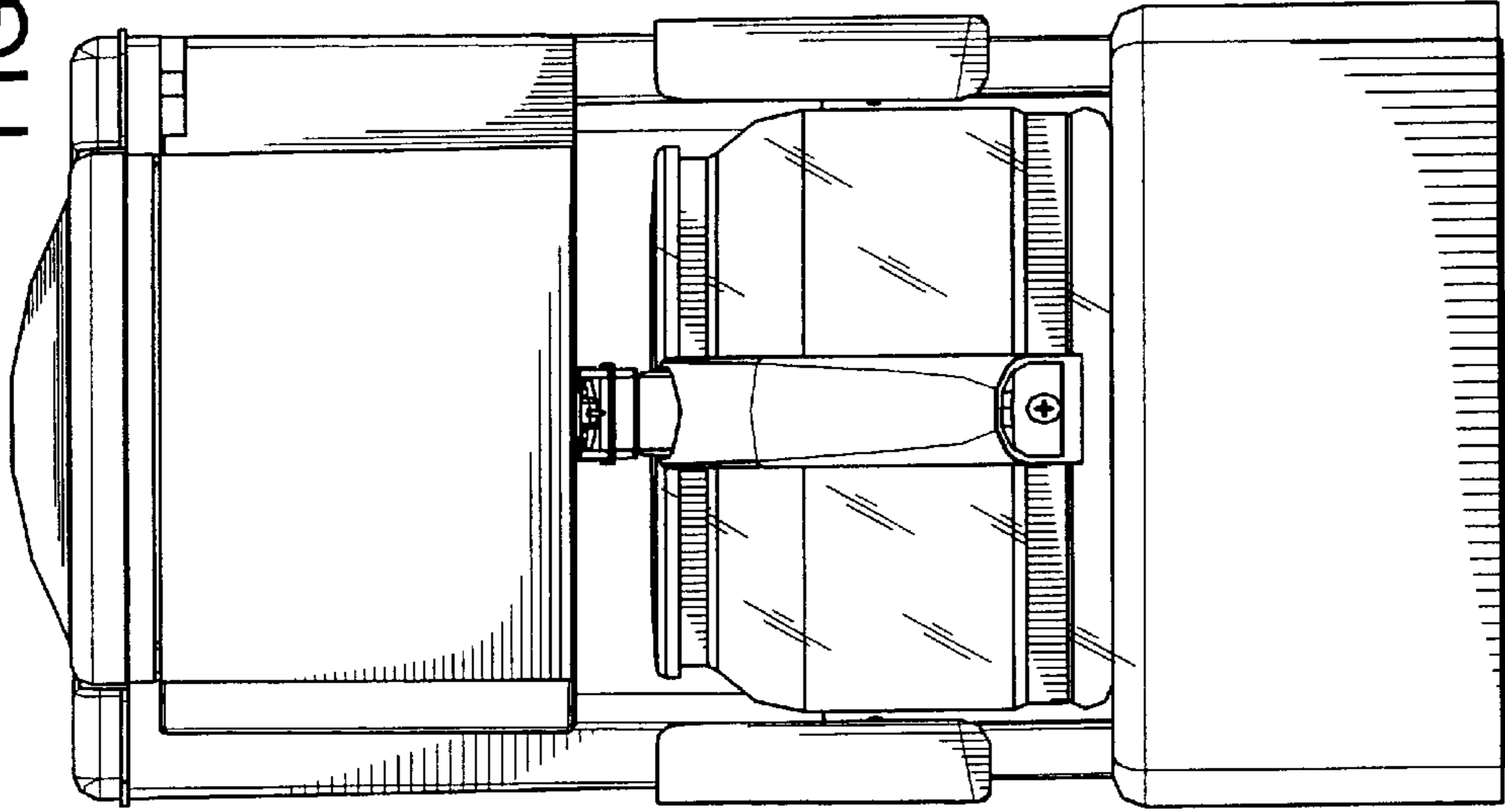


FIG. 2

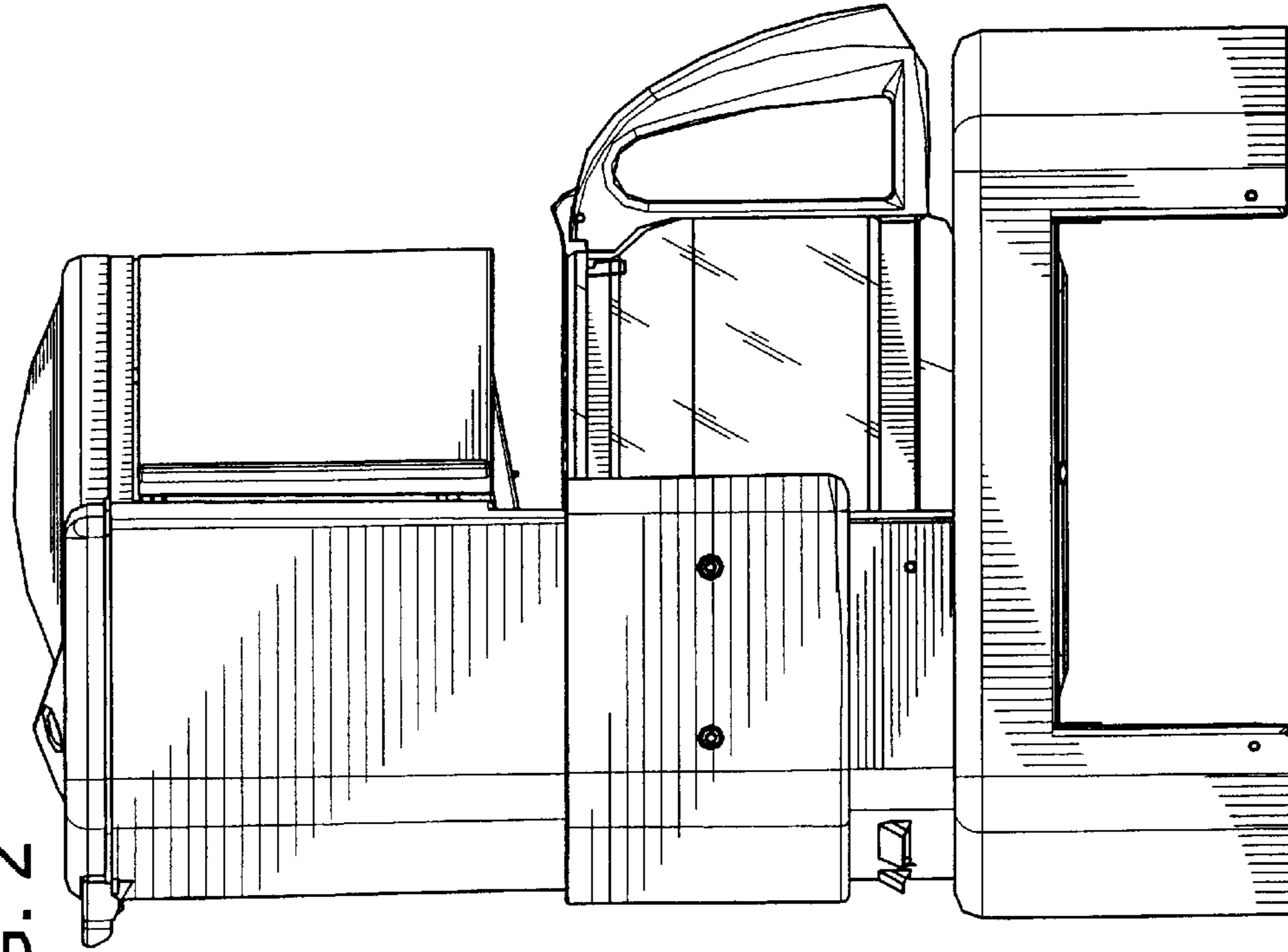


FIG. 5

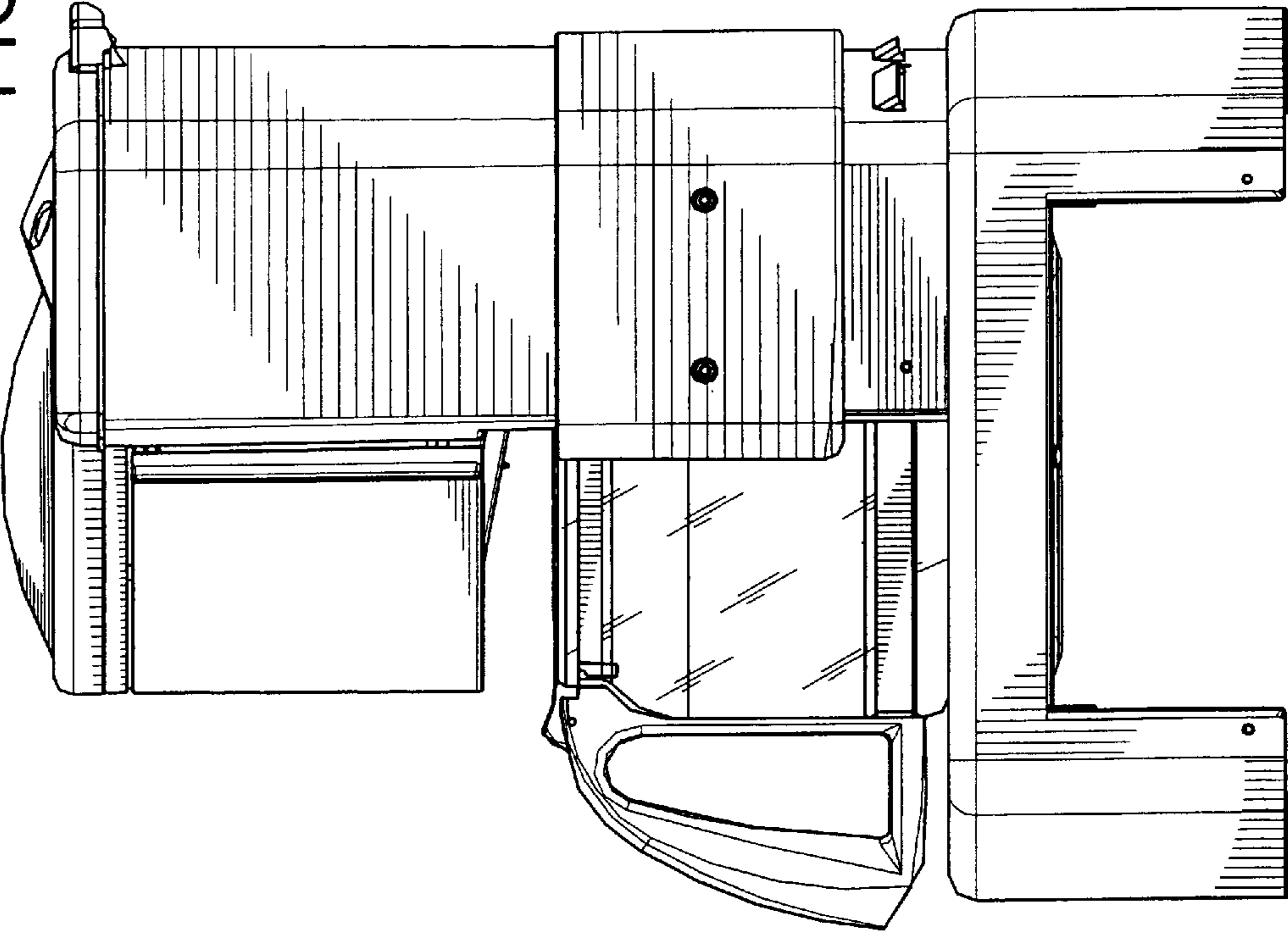


FIG. 4

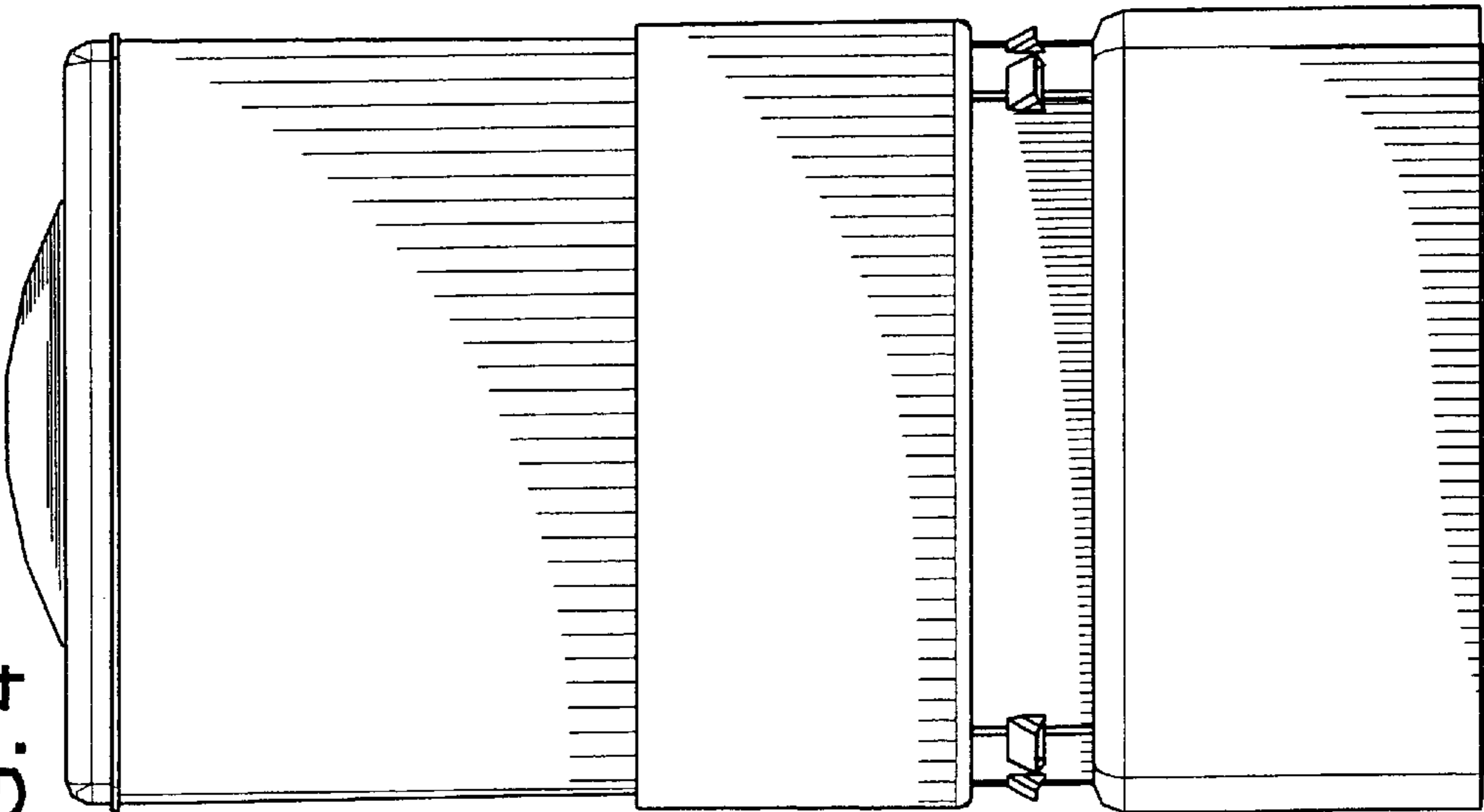


FIG. 6

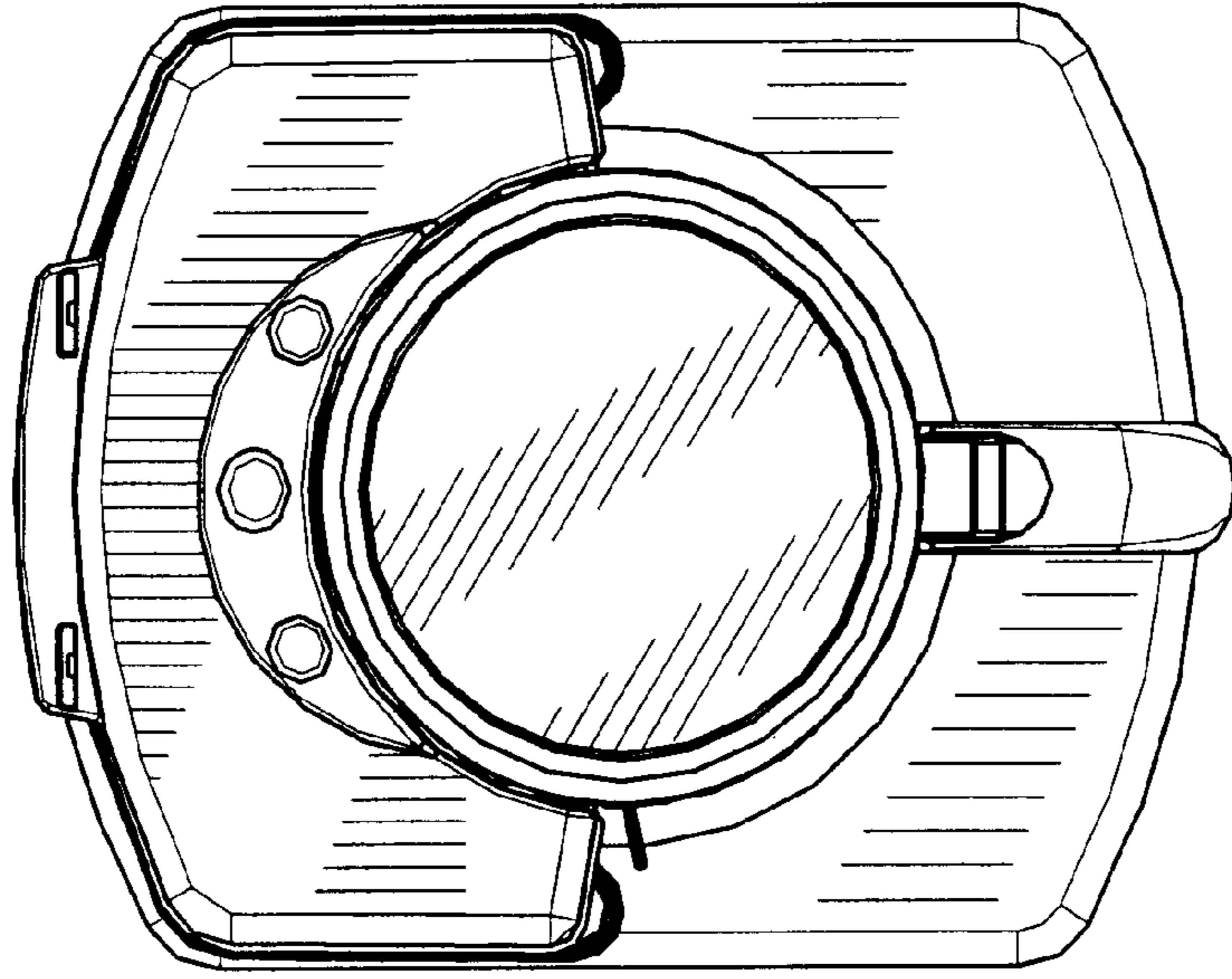


FIG. 7

