



US00D472750S

(12) **United States Design Patent**
Clucas

(10) **Patent No.:** **US D472,750 S**

(45) **Date of Patent:** **** Apr. 8, 2003**

(54) **WIRE SHOWER BASKET**

(75) Inventor: **Michael P. Clucas**, Boothwyn, PA (US)

(73) Assignee: **Zenith Products Corp.**, New Castle, DE (US)

(**) Term: **14 Years**

(21) Appl. No.: **29/164,894**

(22) Filed: **Jul. 31, 2002**

(51) **LOC (7) Cl.** **23-02**

(52) **U.S. Cl.** **D6/525**

(58) **Field of Search** D6/524, 525, 566;
211/13.1, 86.01, 87.01, 88.01, 90.01, 90.03,
71.01, 74, 85.31, 106, 126.1, 126.9, 134;
248/302

(56) **References Cited**

U.S. PATENT DOCUMENTS

5,014,860 A * 5/1991 Emery 211/88.01 X
D399,381 S * 10/1998 Hoernig D6/566

D408,185 S * 4/1999 Hofman D6/525 X
D419,020 S * 1/2000 Emery et al. D6/525 X
D449,479 S * 10/2001 Snell D6/566
D449,752 S * 10/2001 Snell D6/566 X
D450,213 S * 11/2001 Snell D6/566

* cited by examiner

Primary Examiner—Brian N. Vinson

(74) *Attorney, Agent, or Firm*—Edgar A. Zarins; Lloyd D. Doigan

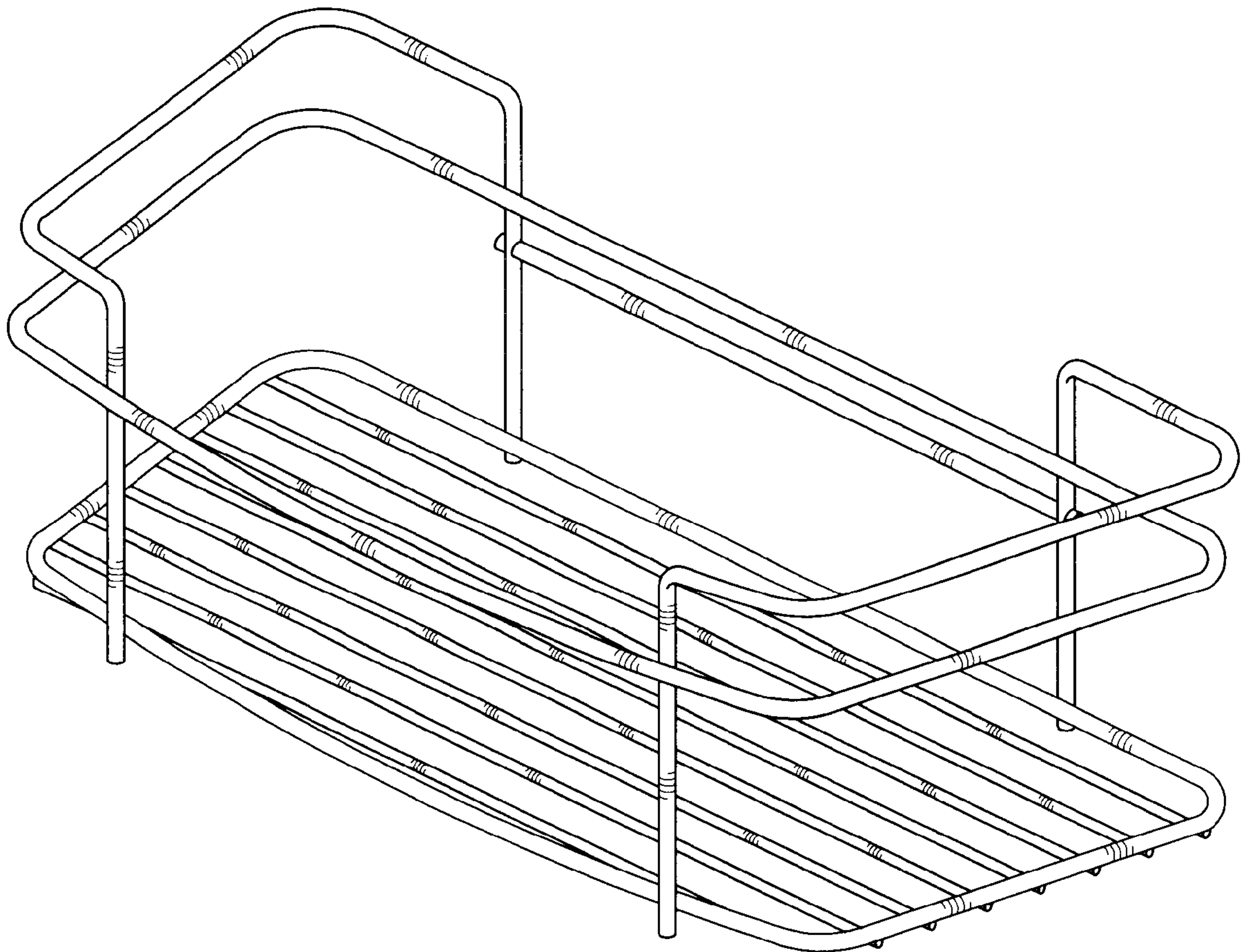
(57) **CLAIM**

The ornamental design for a wire shower basket, as shown and described.

DESCRIPTION

FIG. 1 is a perspective view of a wire shower basket showing my new design;
FIG. 2 is a top plan view thereof;
FIG. 3 is a front elevational view thereof; and,
FIG. 4 is a left side view thereof, the opposite side being a mirror image of the side shown.

1 Claim, 2 Drawing Sheets



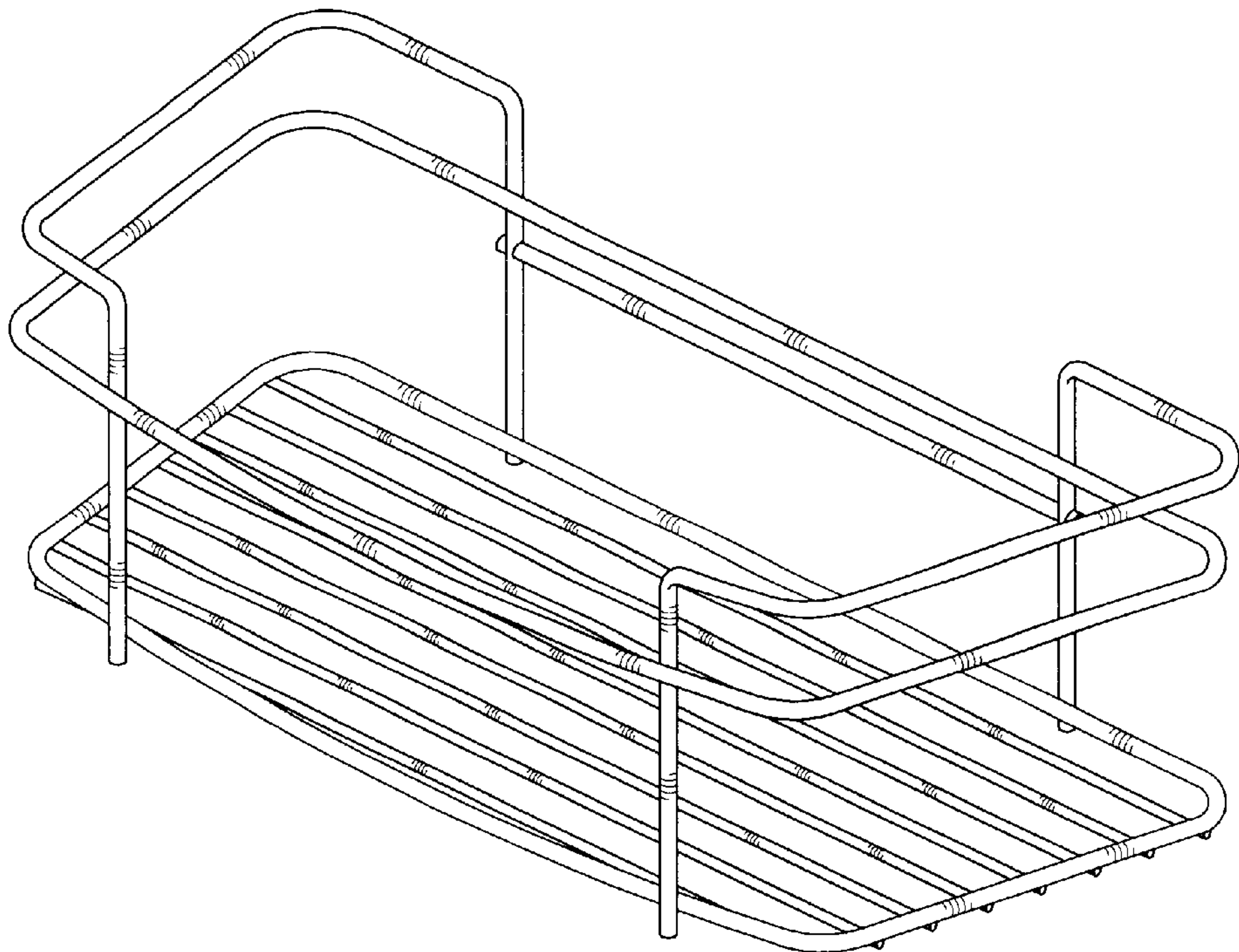


Fig-1

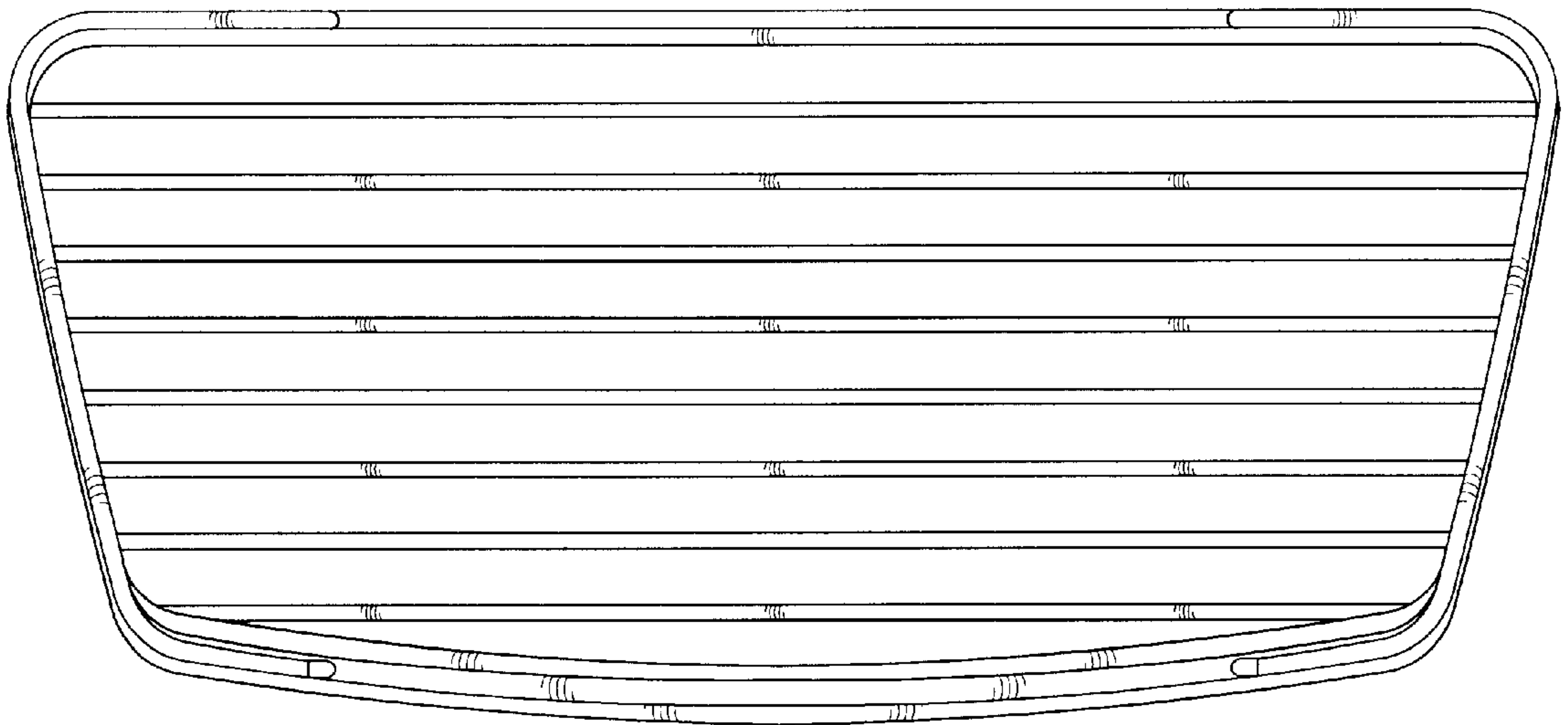


Fig-2

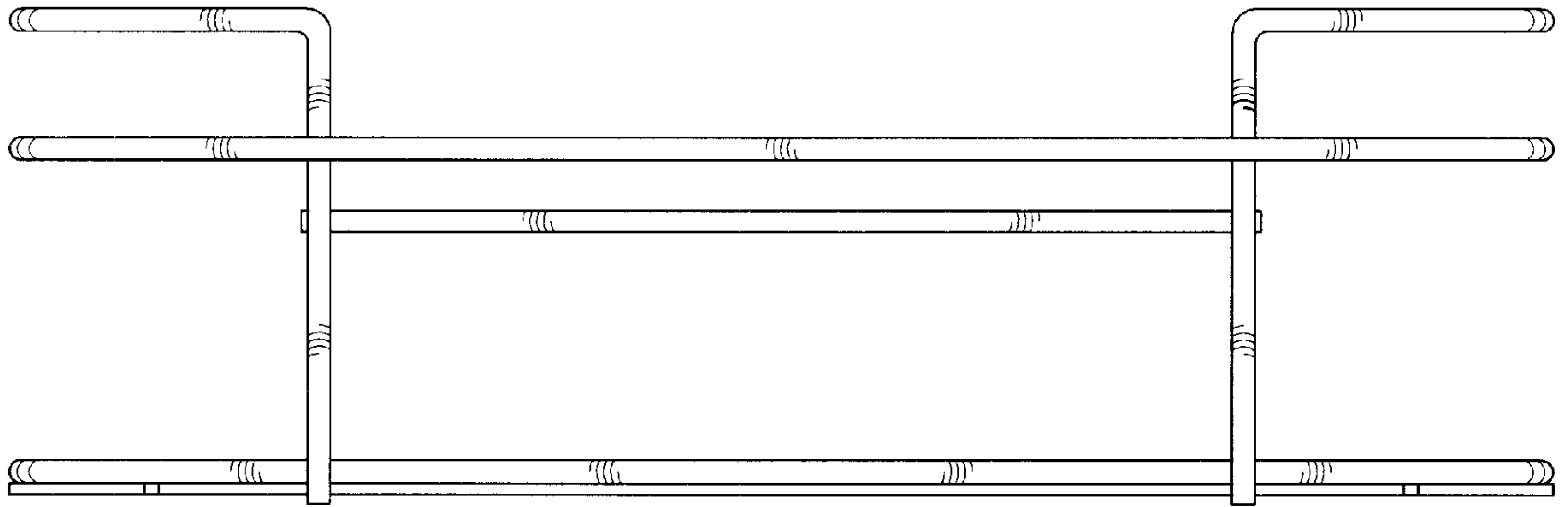


Fig-3

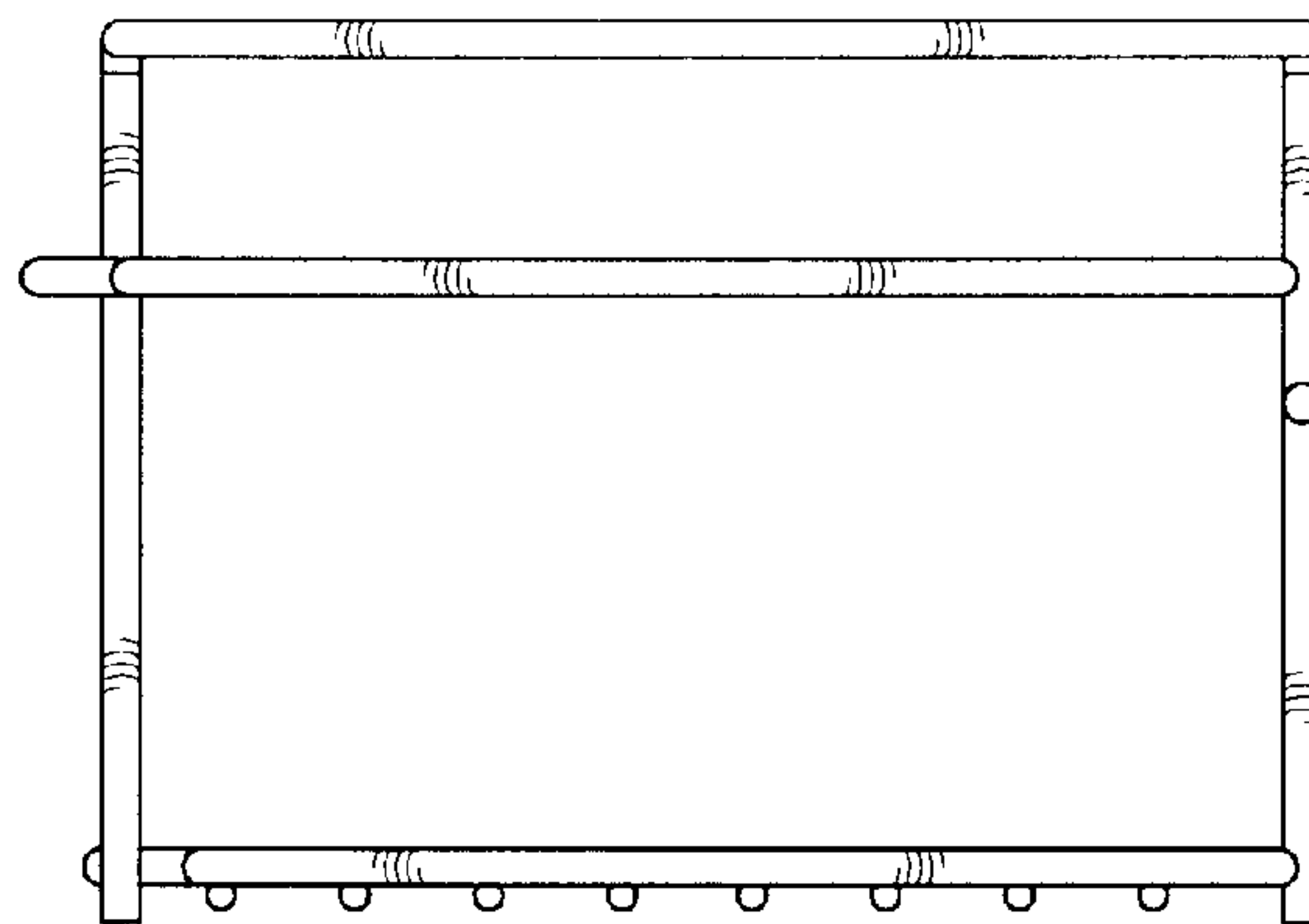


Fig-4