



US00D472749S

(12) **United States Design Patent**
Walker

(10) **Patent No.:** **US D472,749 S**

(45) **Date of Patent:** **** Apr. 8, 2003**

(54) **WIRE LEDGE CADDY**

(75) **Inventor:** **David L. Walker**, Chester, PA (US)

(73) **Assignee:** **Zenith Products Corp.**, New Castle, DE (US)

(**) **Term:** **14 Years**

(21) **Appl. No.:** **29/164,893**

(22) **Filed:** **Jul. 31, 2002**

(51) **LOC (7) Cl.** **23-02**

(52) **U.S. Cl.** **D6/525**

(58) **Field of Search** D6/524, 525, 566;
211/13.1, 41.3, 71.01, 74, 75, 86.01, 87.01,
88.01, 90.01, 90.03, 106, 119, 126.1, 133.5,
134, 181.1; 248/206.3

(56) **References Cited**

U.S. PATENT DOCUMENTS

5,014,860 A * 5/1991 Emery 211/88.01 X
D399,381 S * 10/1998 Hoerning D6/566

D408,185 S * 4/1999 Hofman D6/525 X
D419,020 S * 1/2000 Emery et al. D6/525 X
D449,479 S * 10/2001 Snell D6/566
D449,752 S * 10/2001 Snell D6/566 X
D450,213 S * 11/2001 Snell D6/566

* cited by examiner

Primary Examiner—Brian N. Vinson

(74) *Attorney, Agent, or Firm*—Edgar A. Zarins; Lloyd D. Doigan

(57) **CLAIM**

The ornamental design for a wire ledge caddy, as shown and described.

DESCRIPTION

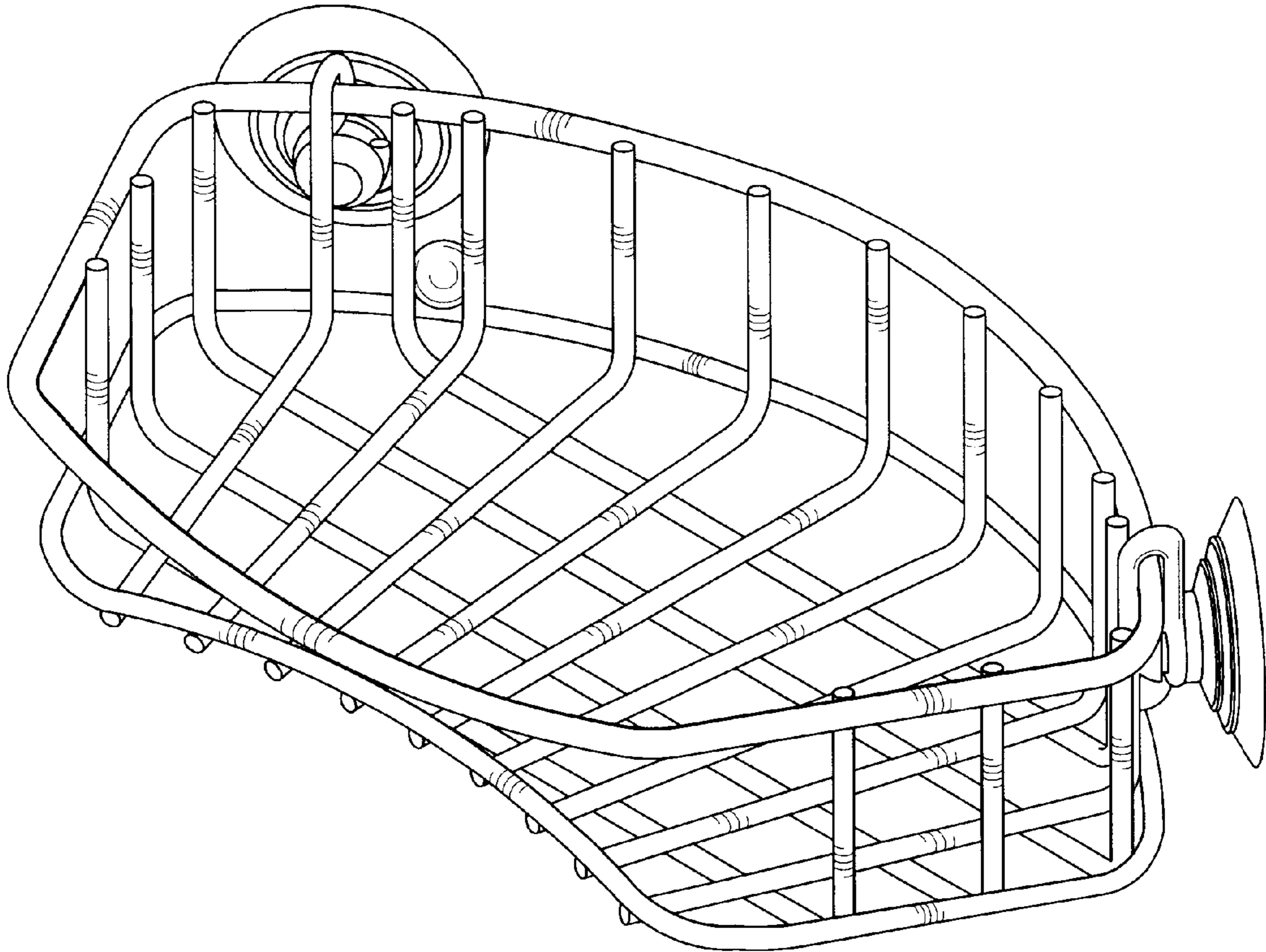
FIG. 1 is a perspective view of a wire ledge caddy showing my new design;

FIG. 2 is a front elevational view thereof;

FIG. 3 is a left side view thereof; and,

FIG. 4 is a top plan view thereof.

1 Claim, 2 Drawing Sheets



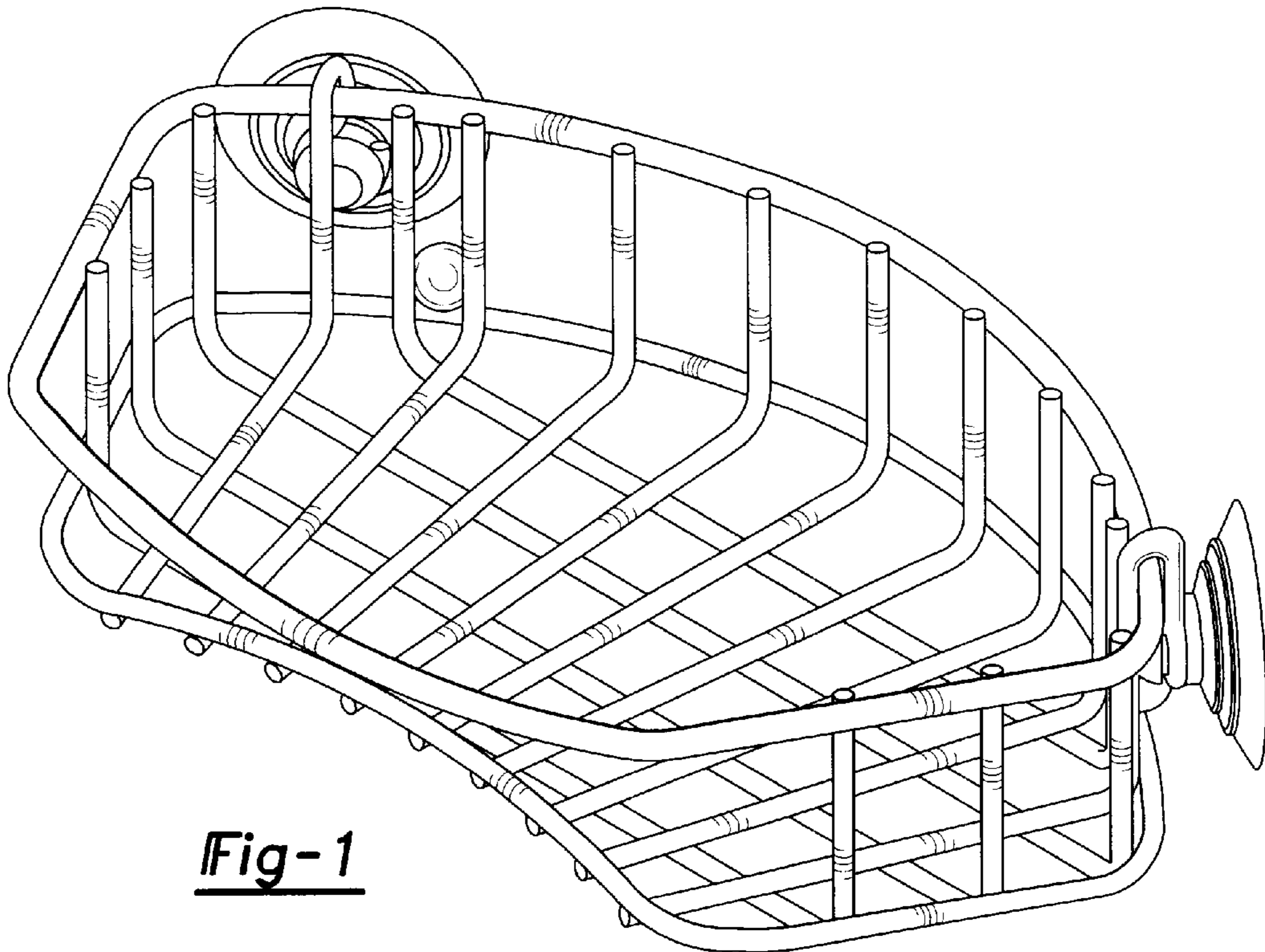


Fig-1

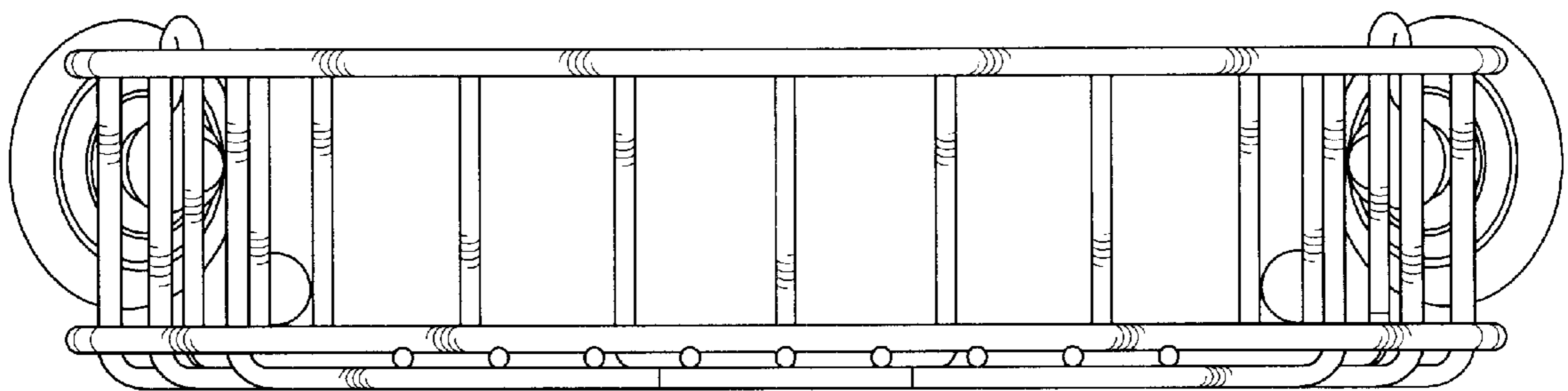


Fig-2

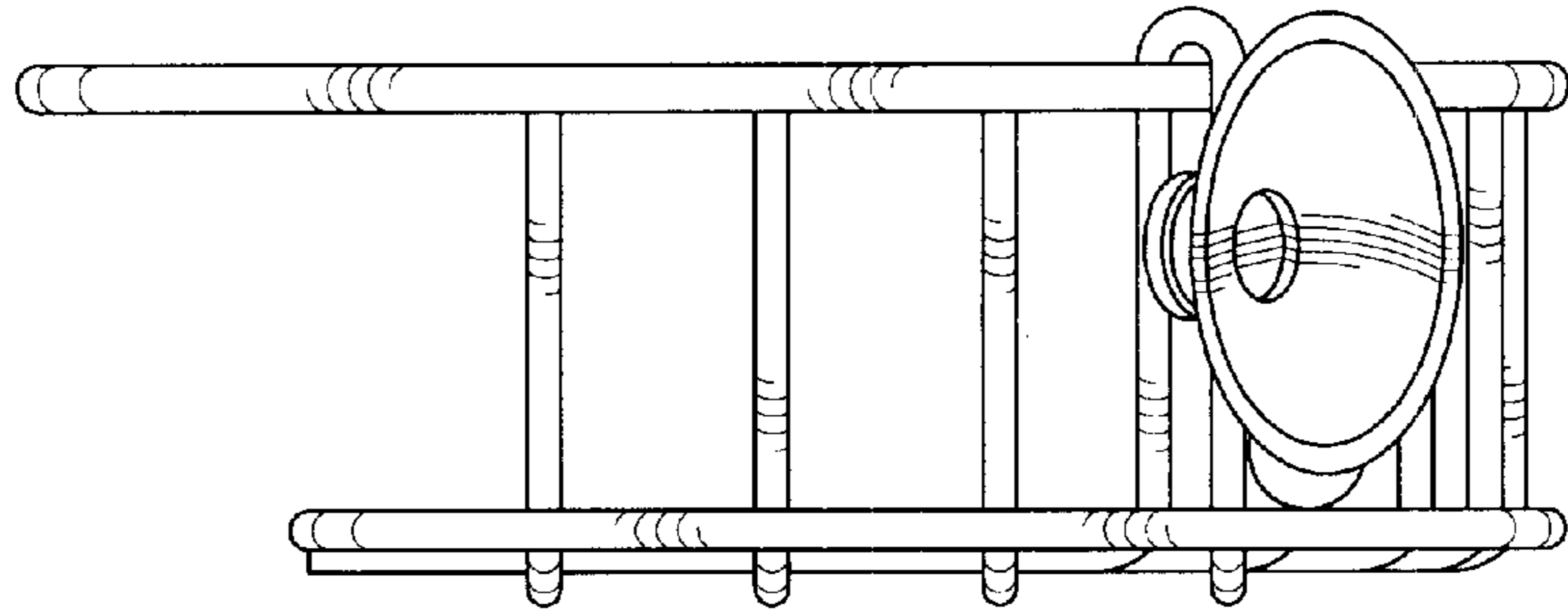


Fig-3

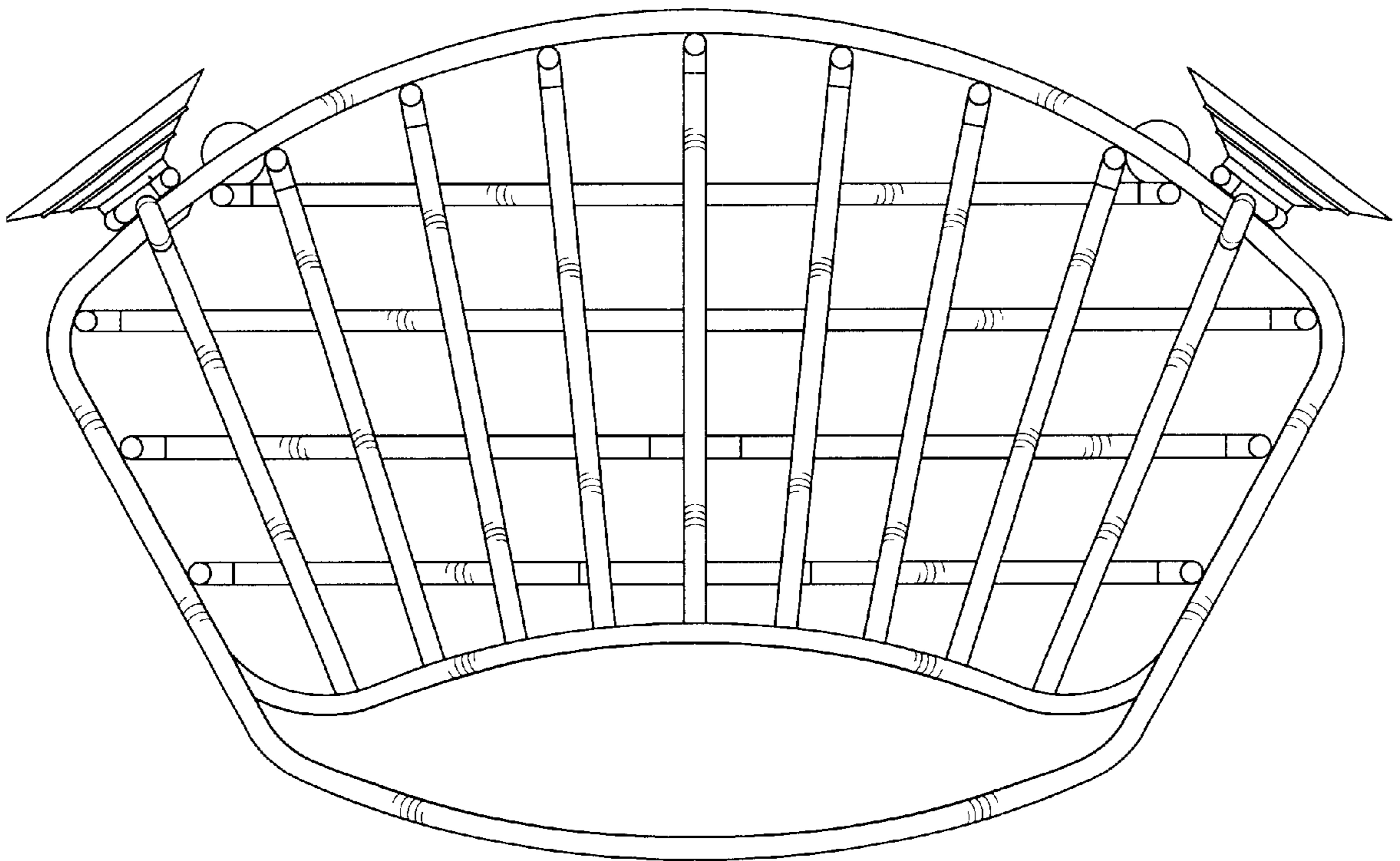


Fig-4