



US00D472746S

(12) **United States Design Patent**  
**Hall**

(10) **Patent No.:** **US D472,746 S**

(45) **Date of Patent:** **\*\* Apr. 8, 2003**

(54) **DEVICE FOR SUPPORTING BEDDING**

(75) **Inventor:** **Jack F. Hall**, Vancouver, WA (US)

(73) **Assignee:** **Franklin Enterprises, Inc.**, Vancouver, WA (US)

(\*\*) **Term:** **14 Years**

(21) **Appl. No.:** **29/155,261**

(22) **Filed:** **Feb. 5, 2002**

(51) **LOC (7) Cl.** ..... **06-06**

(52) **U.S. Cl.** ..... **D6/503**

(58) **Field of Search** ..... D6/491, 503; D32/58;  
5/503.1, 504.1, 505.1, 506.1, 507.1, 661,  
513, 662, 184, 286; 211/195, 182

(56) **References Cited**

**U.S. PATENT DOCUMENTS**

943,217 A	12/1909	Clark
1,359,430 A	11/1920	Richards
2,562,333 A	7/1951	Ries
2,976,546 A	3/1961	Owens
2,979,736 A	4/1961	Kemman
3,241,159 A	3/1966	Reed
3,885,256 A	5/1975	DuBoff
3,961,385 A	6/1976	Ferry
4,662,015 A	5/1987	Galumbeck
5,001,795 A	3/1991	Kasten
5,305,480 A	4/1994	Loren et al.

5,327,595 A	7/1994	Allen
5,426,800 A	6/1995	St.John et al.
D367,385 S	* 2/1996	Kasten ..... D6/503
5,509,158 A	4/1996	Morrison
5,652,979 A	8/1997	Pugh et al.
5,680,660 A	10/1997	Johanknecht
5,699,565 A	12/1997	Petterborg
5,774,913 A	7/1998	Allen et al.
D401,705 S	* 11/1998	Jones ..... D32/58
D433,856 S	* 11/2000	Blum ..... D6/503

\* cited by examiner

*Primary Examiner*—Janice E. Seeger  
(74) *Attorney, Agent, or Firm*—Chernoff, Vilhauer, McClung & Stenzel, LLP

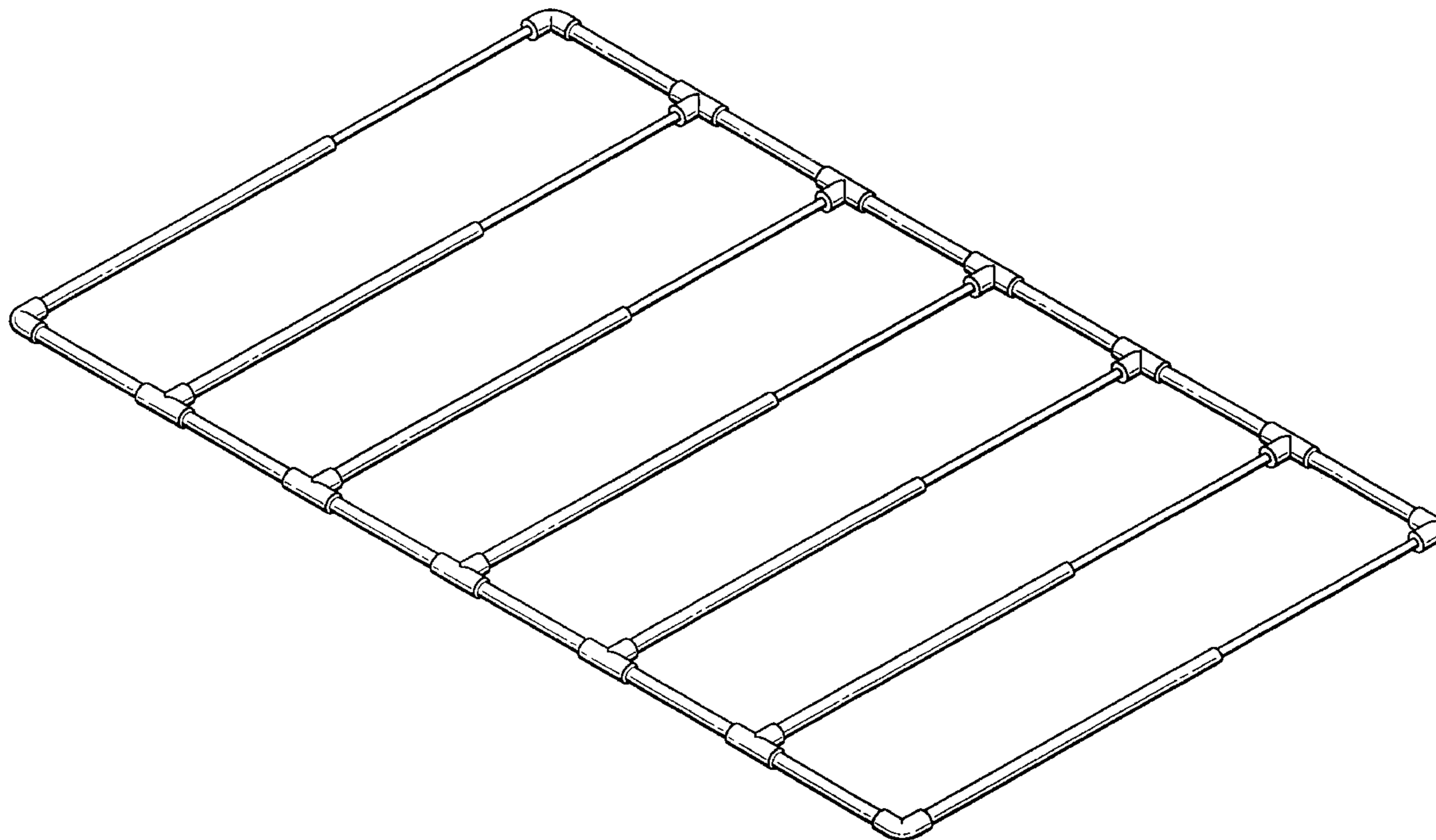
(57) **CLAIM**

The ornamental design for a device for supporting bedding, as shown and described.

**DESCRIPTION**

FIG. 1 is a perspective view of the device for supporting bedding;  
FIG. 2 is a plan view thereof;  
FIG. 3 is an end view thereof, the opposite end being identical thereto;  
FIG. 4 is a side view thereof, the opposite side being identical thereto; and,  
FIG. 5 is a perspective view of the device pulled apart into its two sections.

**1 Claim, 3 Drawing Sheets**



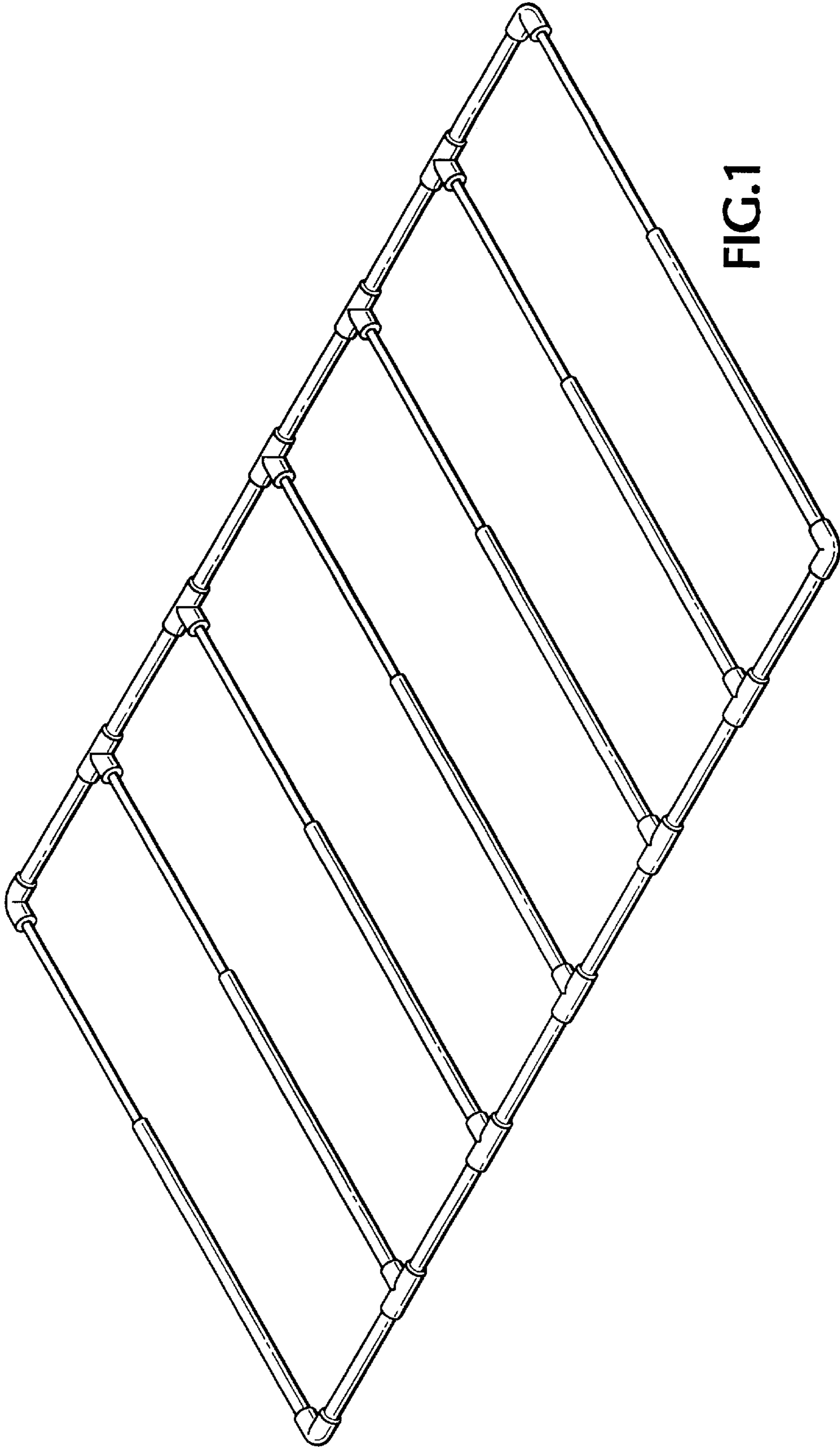


FIG. 1

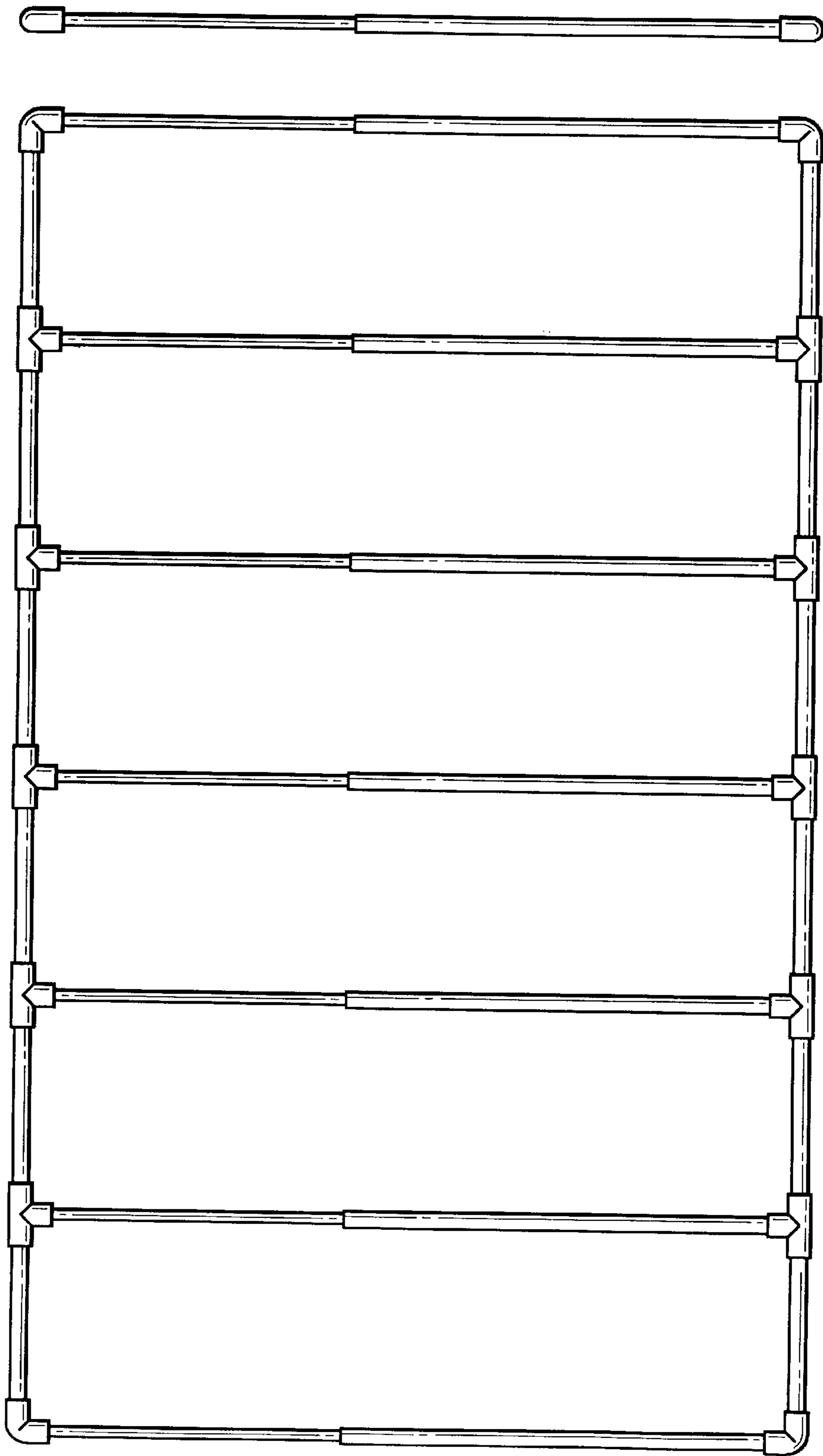


FIG. 2

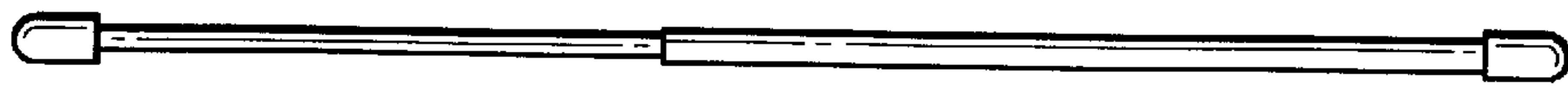


FIG. 3



FIG. 4

