



US00D472742S

(12) **United States Design Patent**  
**Chalmers et al.**

(10) **Patent No.:** **US D472,742 S**

(45) **Date of Patent:** **\*\* Apr. 8, 2003**

(54) **TABLE BASE**

(75) Inventors: **Richard R. Chalmers**, Camden, ME  
(US); **Gilbert V. Harper**, Cushing, ME  
(US)

(73) Assignee: **Imagineering, Inc.**, Rockland, ME  
(US)

(\*\*) Term: **14 Years**

(21) Appl. No.: **29/161,661**

(22) Filed: **Jun. 3, 2002**

(51) **LOC (7) Cl.** ..... **06-06**

(52) **U.S. Cl.** ..... **D6/498**

(58) **Field of Search** ..... D6/480-489, 495-499;  
108/153.1, 155, 156, 157.1, 161; 248/188,  
188.7, 188.8, 188.1

(56) **References Cited**

**U.S. PATENT DOCUMENTS**

D170,760 S	*	11/1953	Luger	.....	D6/480
D282,325 S	*	1/1986	Meier	.....	D6/495
D318,967 S	*	8/1991	Murry	.....	D6/495
D402,830 S		12/1998	Chalmers	.....	D6/486
D402,831 S		12/1998	Chalmers	.....	D6/498

**OTHER PUBLICATIONS**

Weatherend Estate Furniture Brochure, 2000, pp. 1-36.  
Weatherend Estate Furniture Retail Prices and Information,  
Jan. 2000, pp. 1-11.

Weatherend Estate Furniture Retail Prices and Information,  
Nov. 2000, pp. 1-22.

\* cited by examiner

*Primary Examiner*—Janice E. Seeger  
(74) *Attorney, Agent, or Firm*—Heslin Rothenberg Farley  
& Mesiti P.C.

(57) **CLAIM**

The ornamental design for the table base, as shown and  
described.

**DESCRIPTION**

FIG. 1 is a perspective view of a table base comprising the  
new design;

FIG. 2 is a front elevational view thereof;

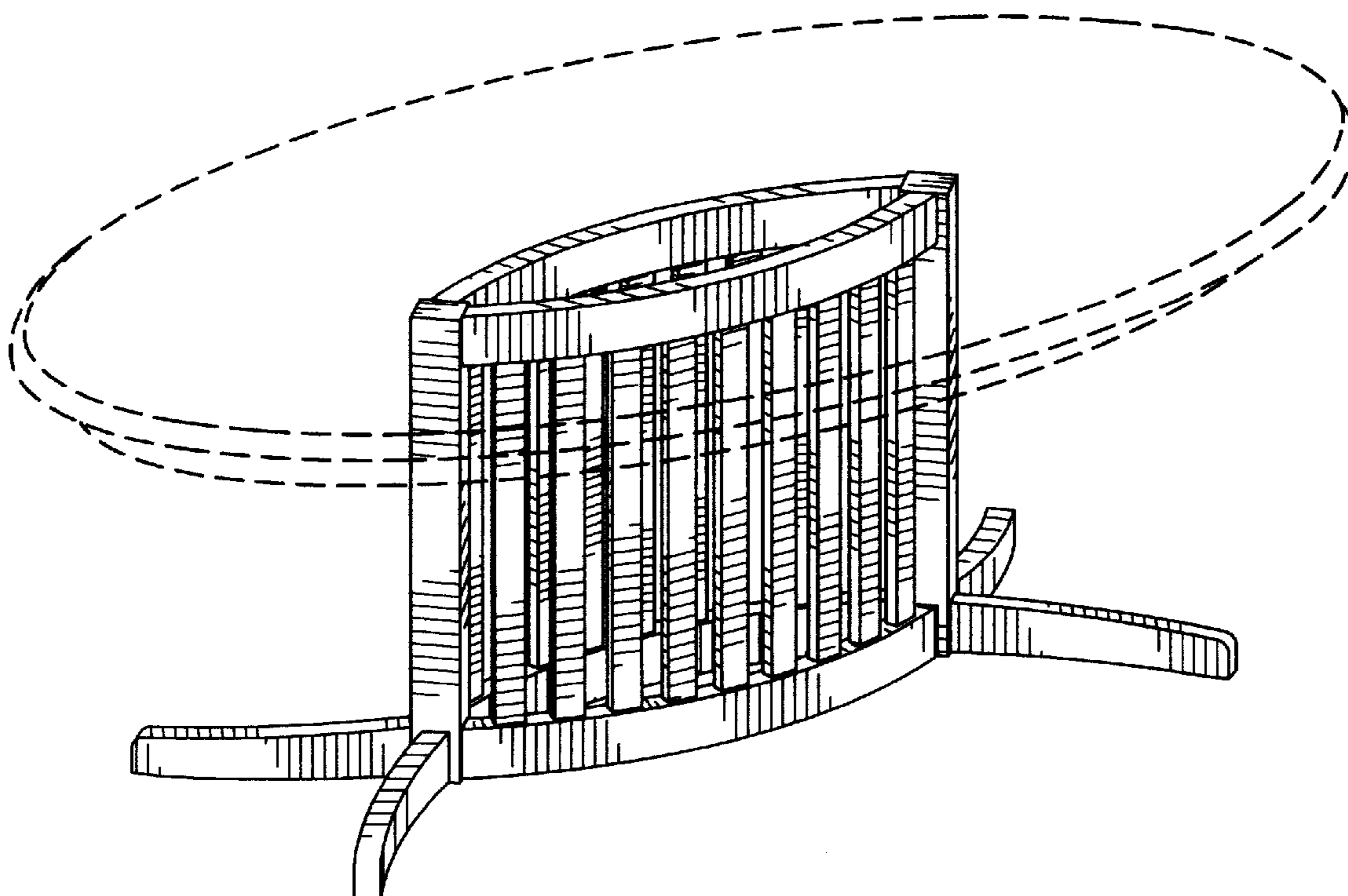
FIG. 3 is a top view thereof;

FIG. 4 is a left side elevational view thereof, the right side  
elevational view being a mirror image thereof; and,

FIG. 5 is a perspective view of a second embodiment of a  
table base shown broken away for indeterminate length  
which is the sole difference between it and FIGS. 1-4.

The broken lines are for illustrative purposes and forms no  
part of the claimed design.

**1 Claim, 5 Drawing Sheets**



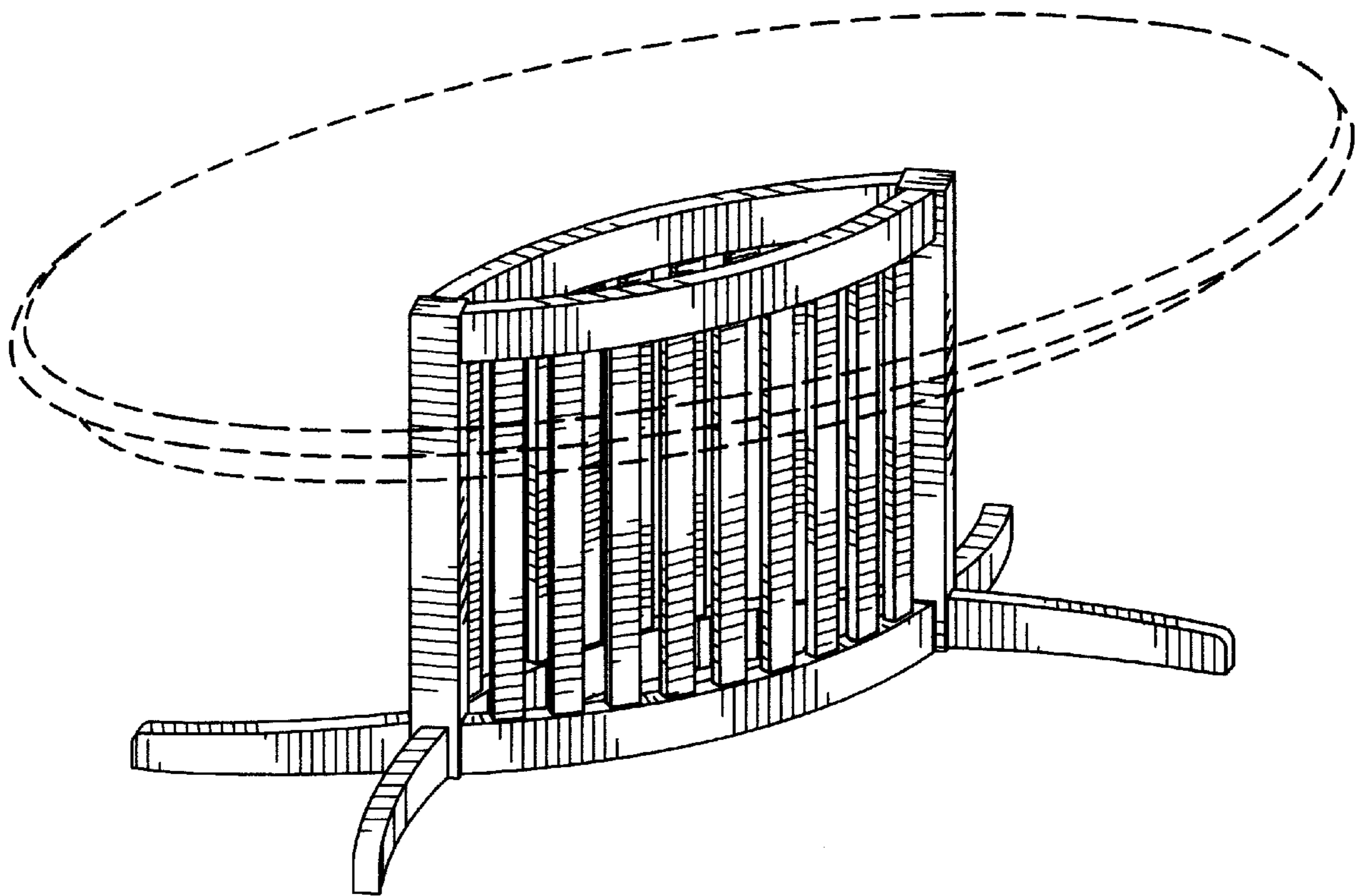


FIG. 1

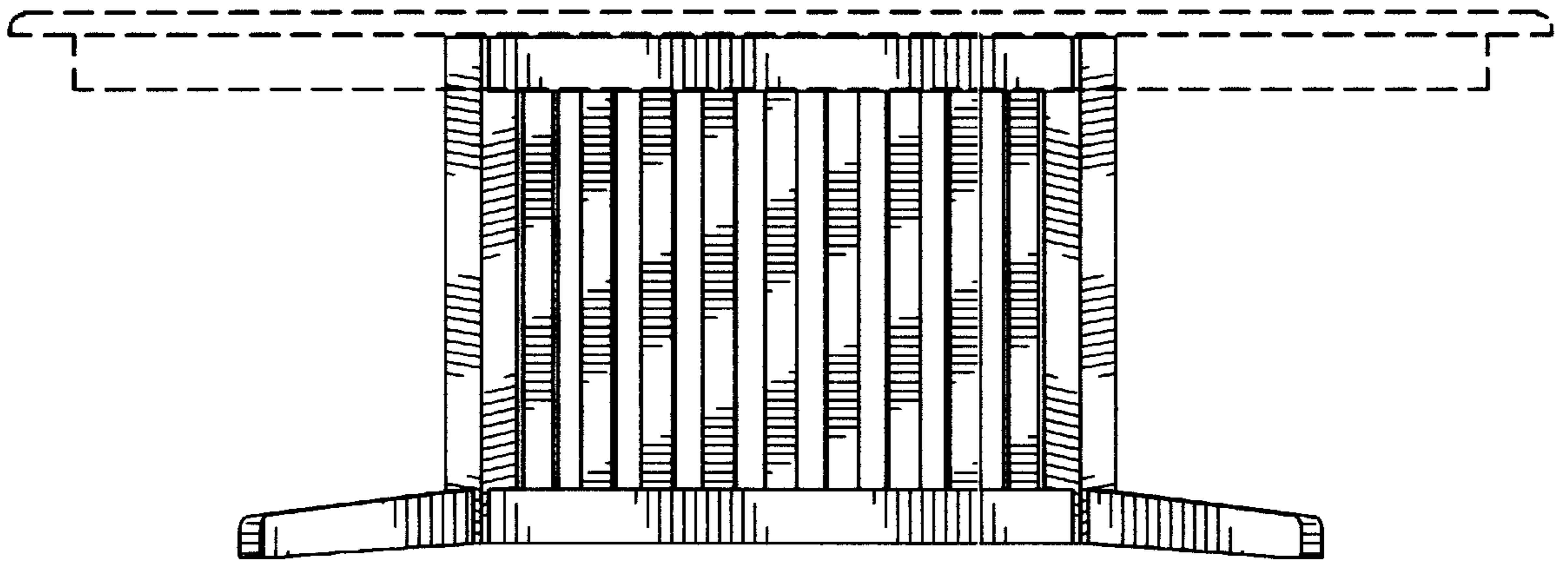


FIG. 2

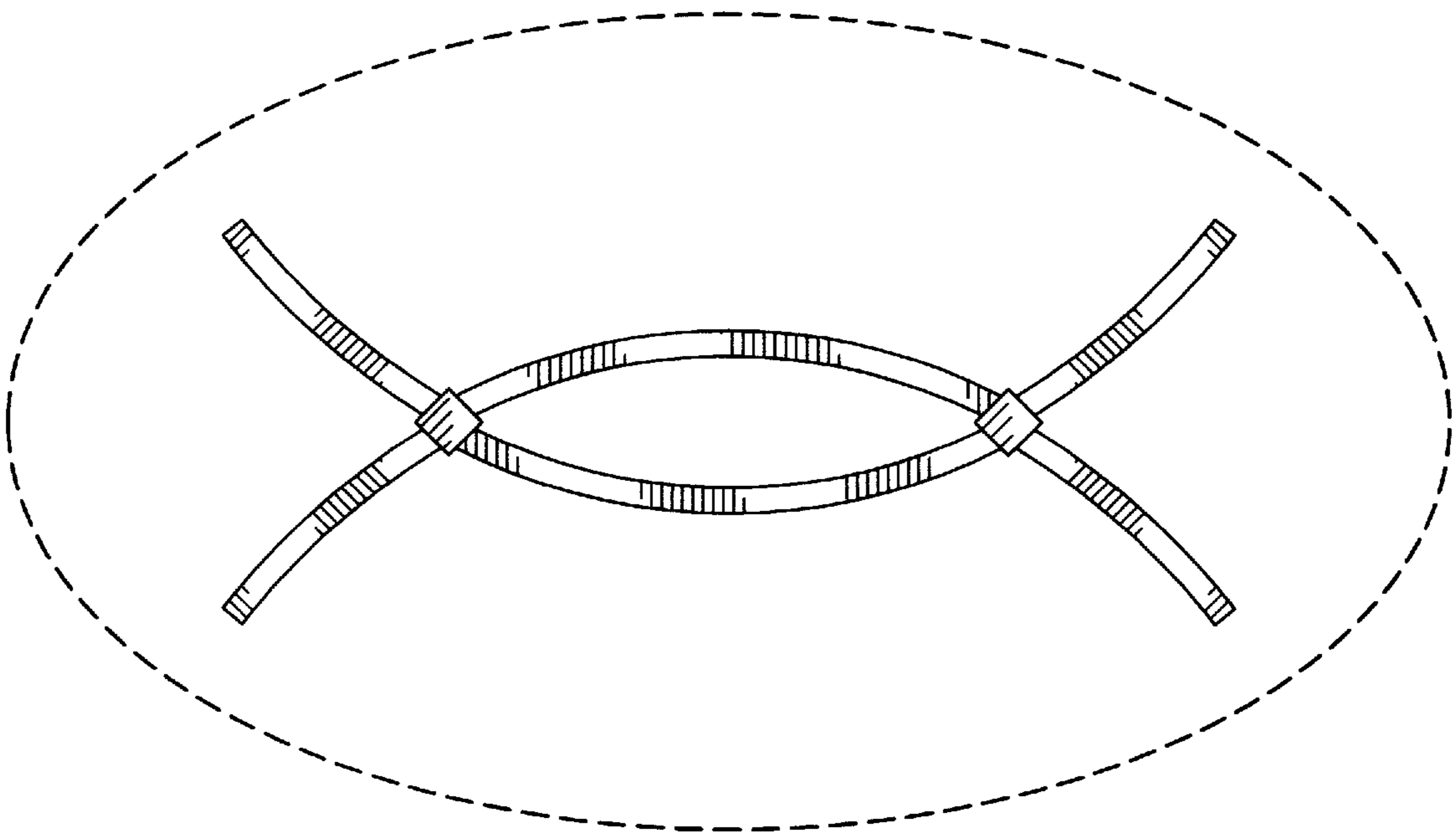


FIG. 3

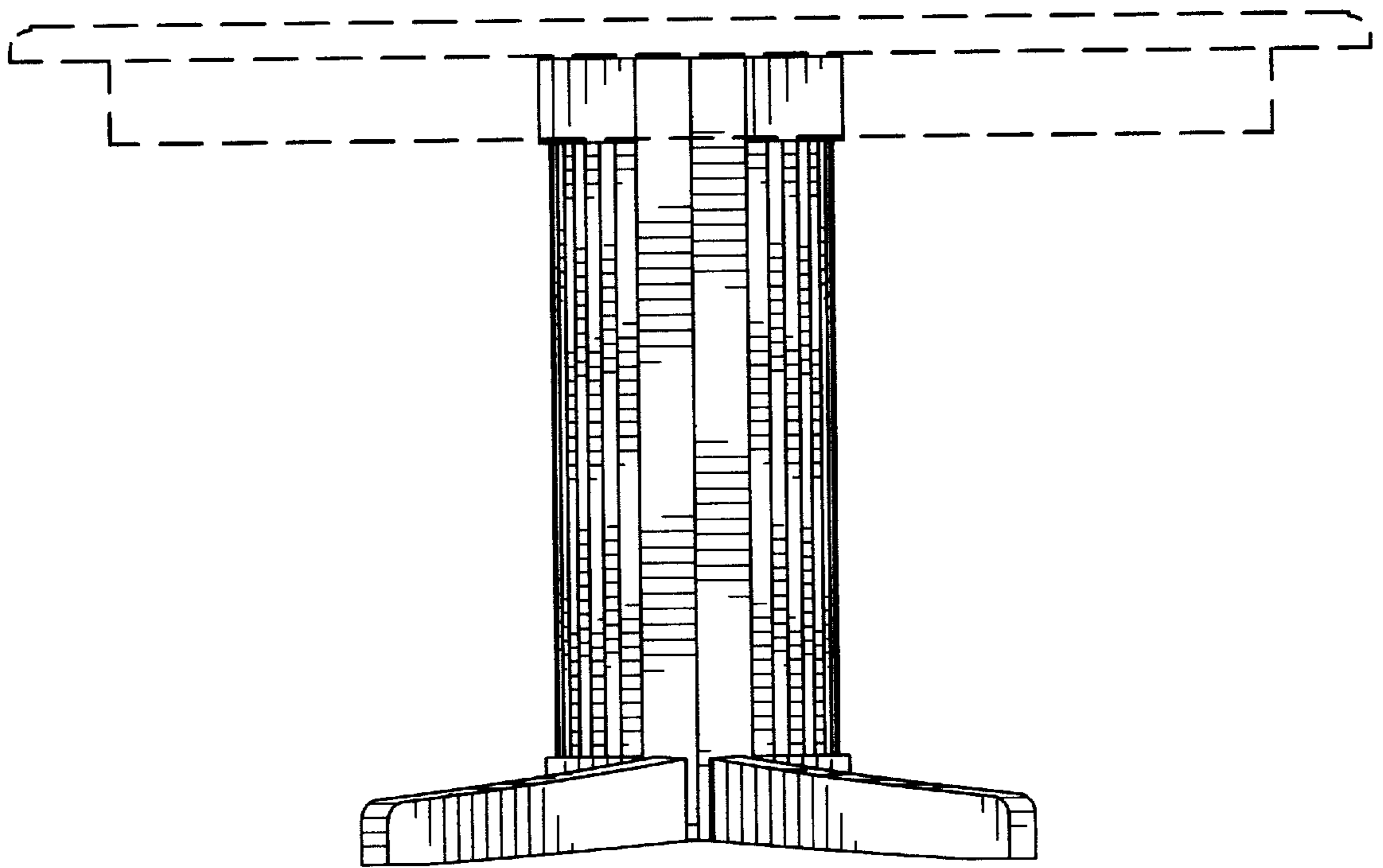


FIG. 4

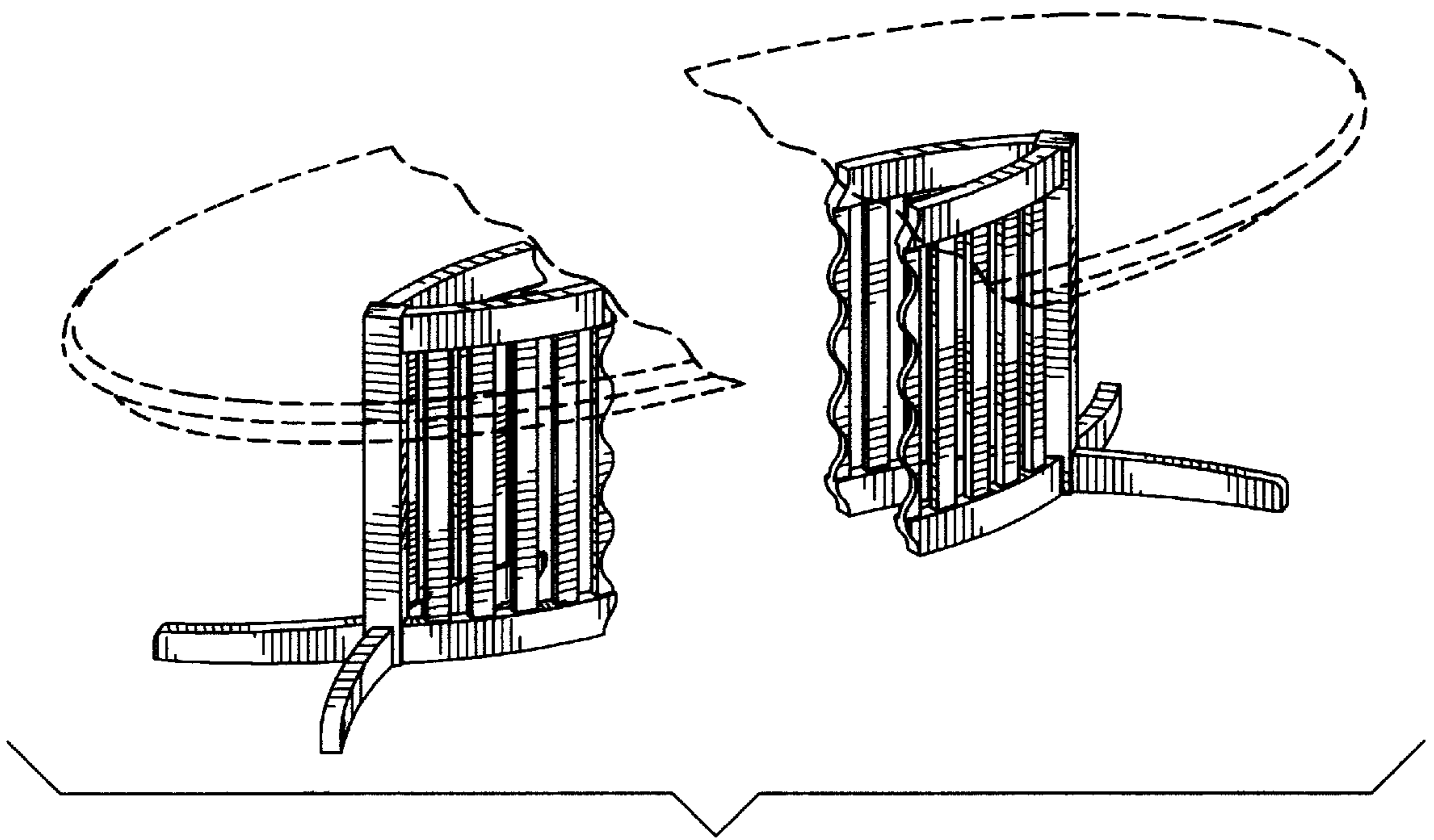


FIG. 5