



US00D472740S

(12) **United States Design Patent**  
**Neitz**

(10) **Patent No.:** **US D472,740 S**

(45) **Date of Patent:** **\*\* Apr. 8, 2003**

(54) **TABLE**

(76) **Inventor:** **Erica Neitz, P.O. Box 793, Gambier, OH (US) 43022**

(\*\*) **Term:** **14 Years**

(21) **Appl. No.:** **29/159,980**

(22) **Filed:** **May 1, 2002**

(51) **LOC (7) Cl.** ..... **06-03**

(52) **U.S. Cl.** ..... **D6/480**

(58) **Field of Search** ..... D6/480-489, 495-499;  
108/153.1, 155, 156, 157.1, 157.17, 161;  
248/188, 188.1, 188.7, 188.8

(56) **References Cited**

**U.S. PATENT DOCUMENTS**

- D190,656 S \* 6/1961 Glass ..... D6/480
- D277,351 S \* 1/1985 Offredi ..... D6/483
- D332,262 S \* 1/1993 Borchardt ..... D14/230

D404,595 S \* 1/1999 Antonioni ..... D6/482

\* cited by examiner

*Primary Examiner*—Janice E. Seeger  
(74) *Attorney, Agent, or Firm*—Gallagher & Dawsey Co., LPA; Michael J. Gallagher; David J. Dawsey

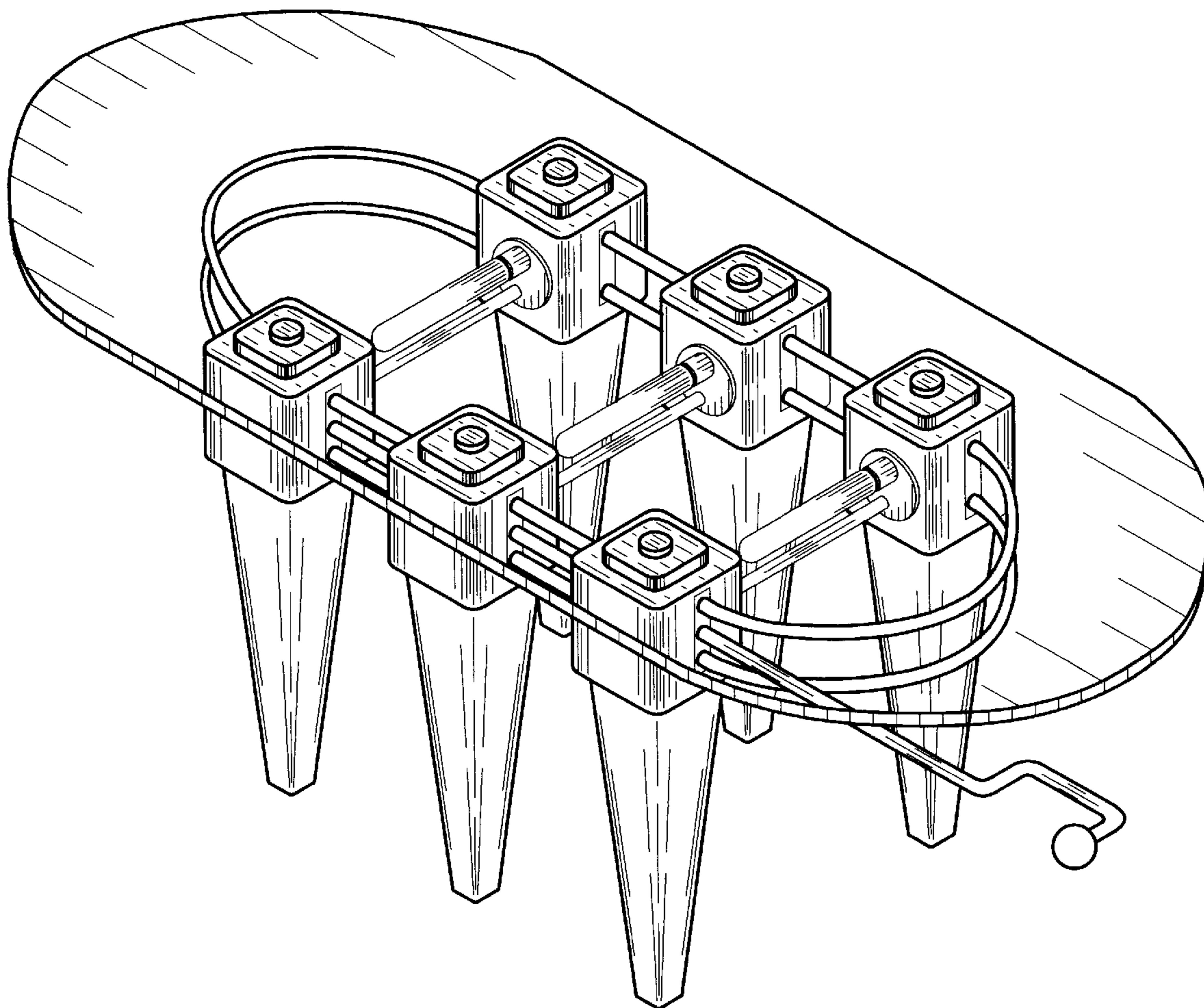
(57) **CLAIM**

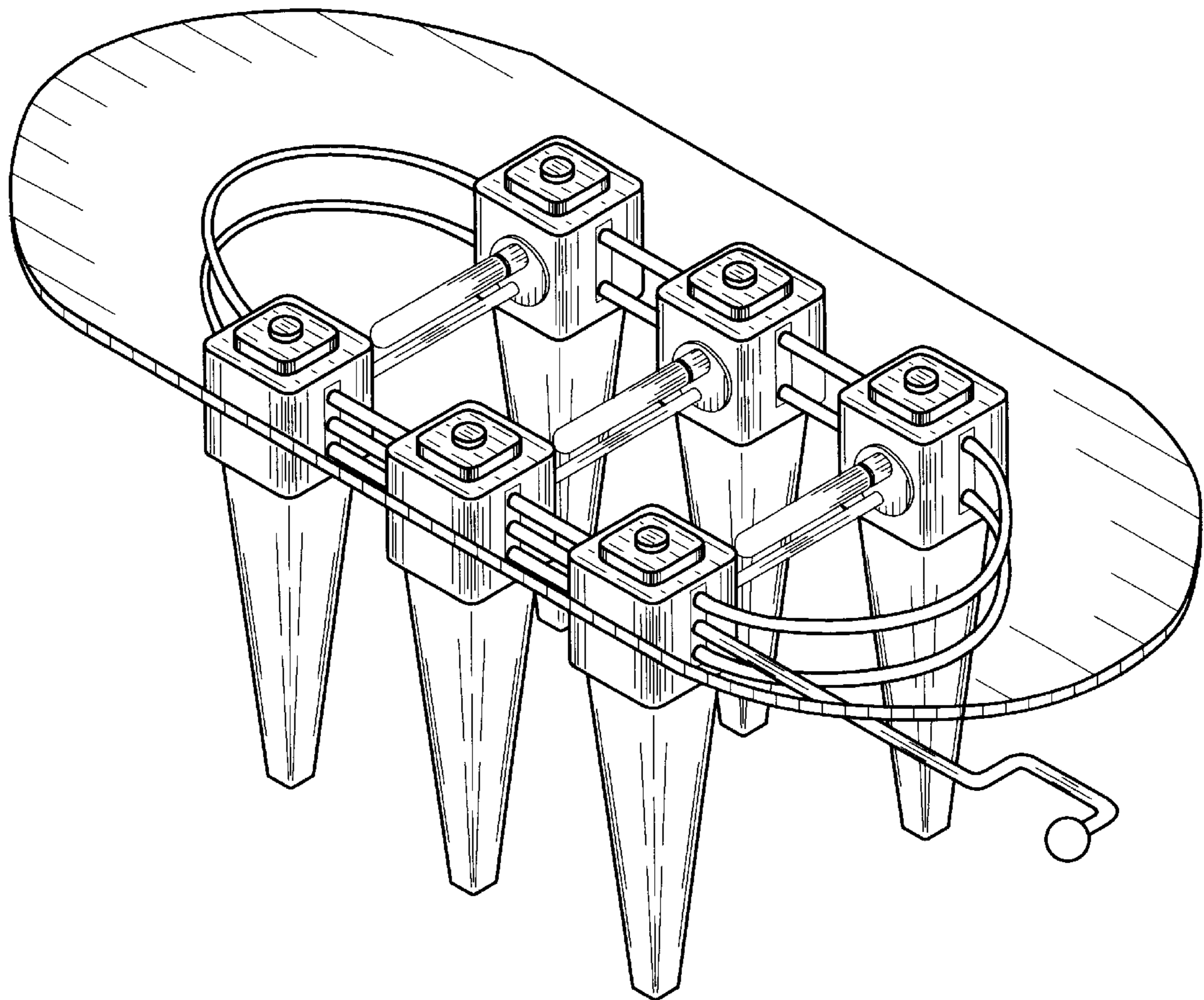
The ornamental design for a table, as shown.

**DESCRIPTION**

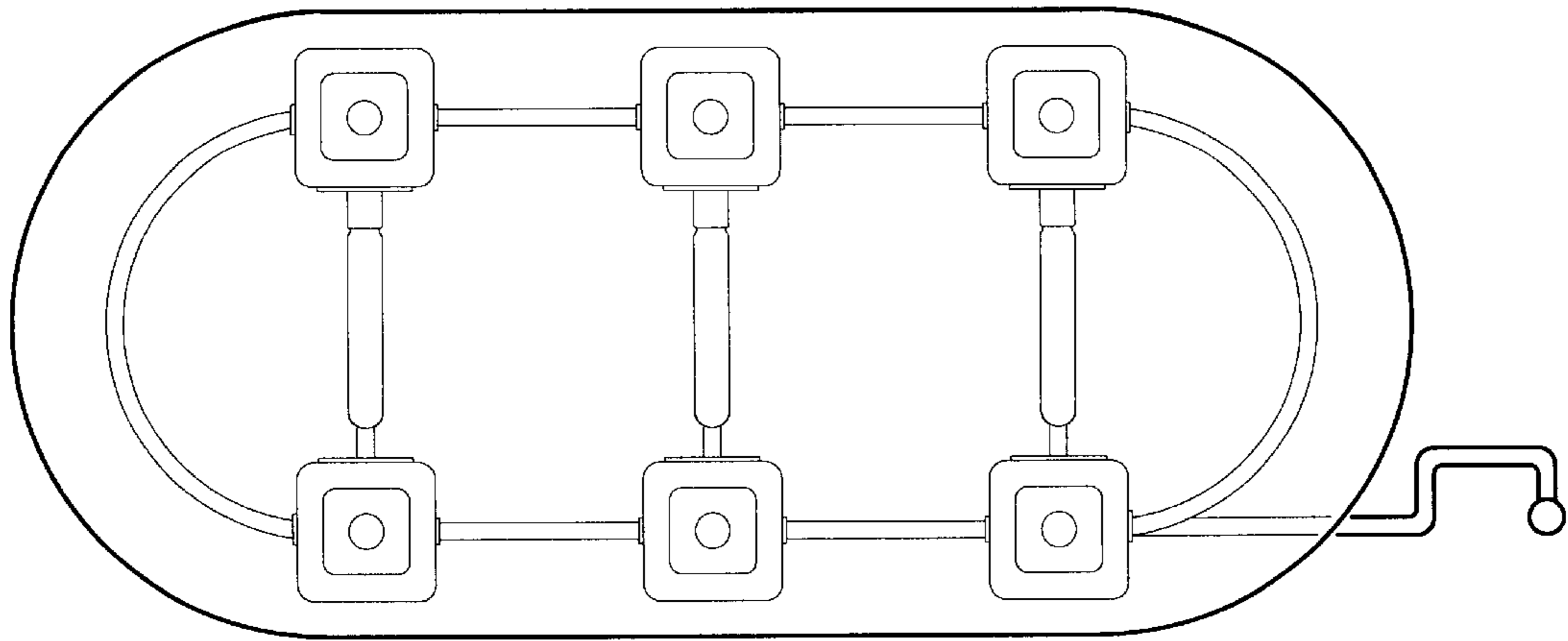
FIG. 1 is a perspective view of a table showing my new design;  
FIG. 2 is a top plan view thereof;  
FIG. 3 is a front elevation view thereof;  
FIG. 4 is a left side elevation view thereof;  
FIG. 5 is a right side elevation view thereof;  
FIG. 6 is a rear elevation view thereof; and,  
FIG. 7 is a bottom plan view thereof.

**1 Claim, 4 Drawing Sheets**

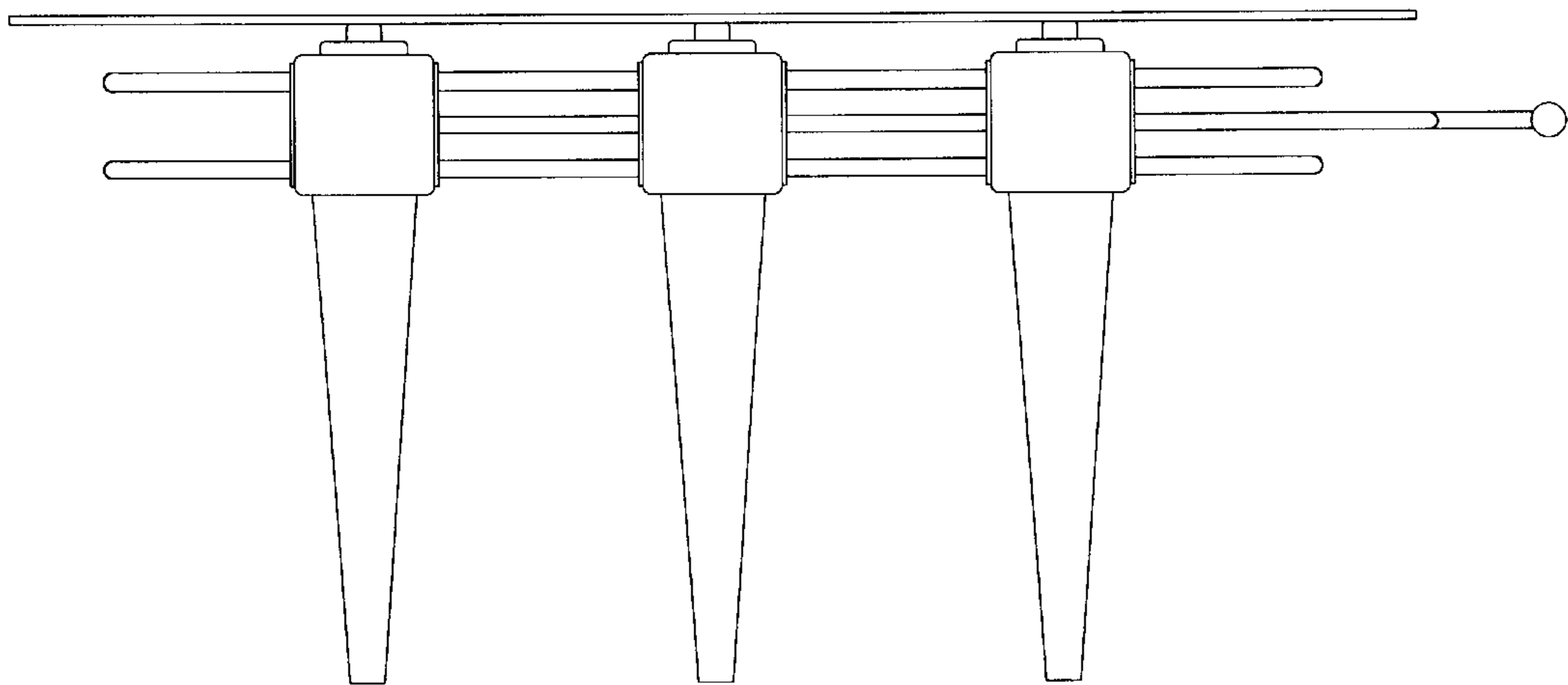




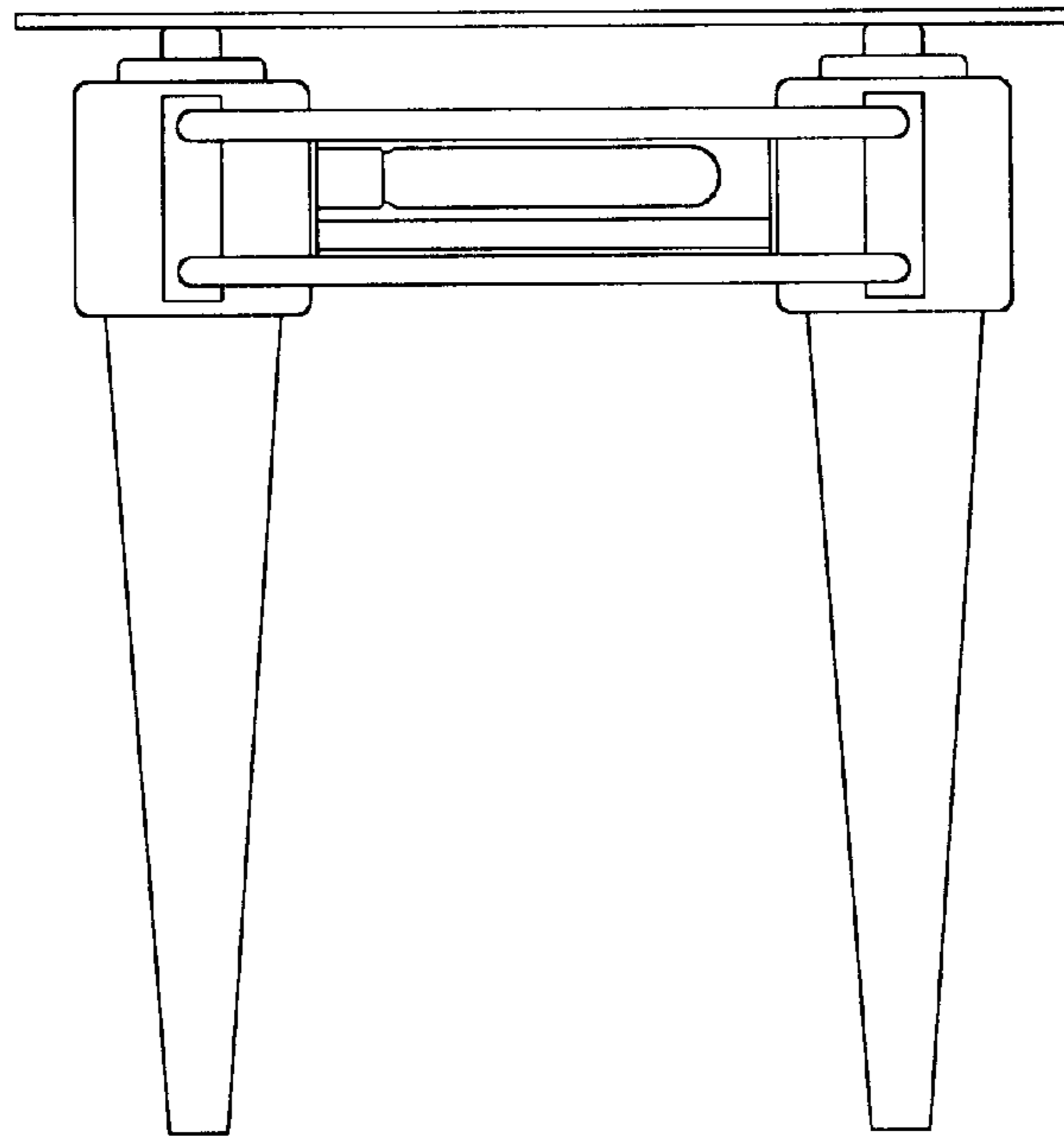
**FIG. 1**



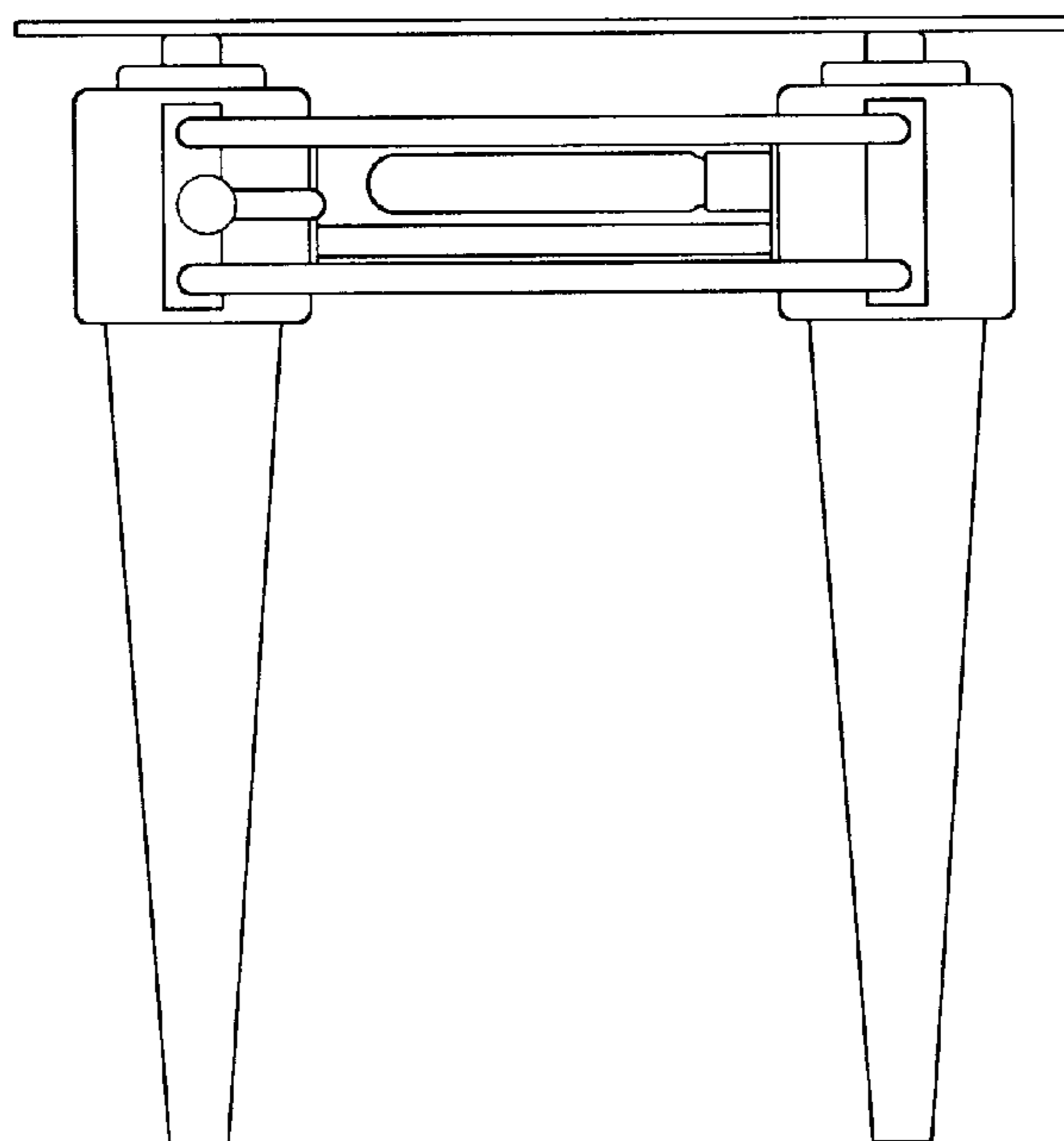
**FIG. 2**



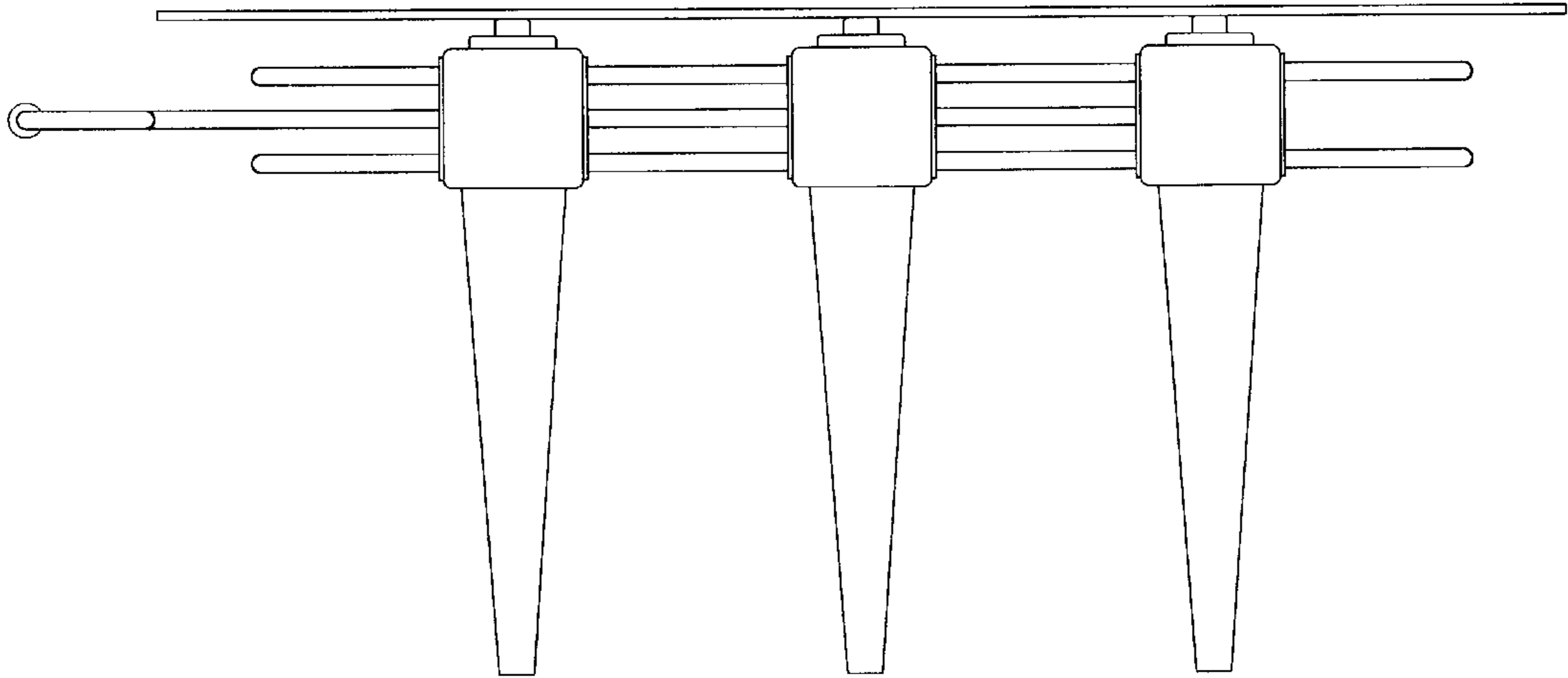
**FIG. 3**



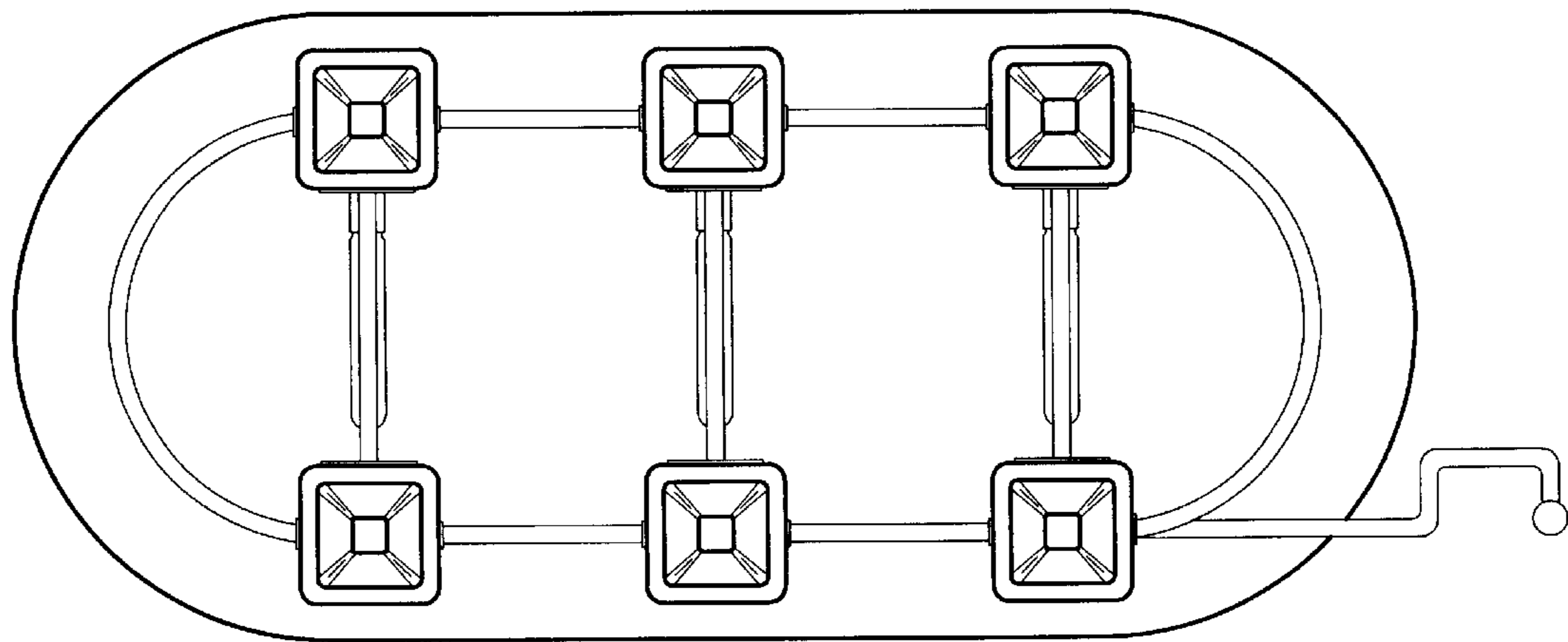
***FIG. 4***



***FIG. 5***



**FIG. 6**



**FIG. 7**