



US00D472736S

(12) **United States Design Patent**
Moore

(10) **Patent No.:** **US D472,736 S**

(45) **Date of Patent:** **** Apr. 8, 2003**

(54) **FLUID DISPLAY**

(75) **Inventor:** **Robert Moore**, West Palm Beach, FL (US)

(73) **Assignee:** **BG Products, Inc.**, Wichita, KS (US)

(**) **Term:** **14 Years**

(21) **Appl. No.:** **29/162,939**

(22) **Filed:** **Jun. 24, 2002**

2,881,947 A	*	4/1959	Hancock	211/60.1 X
D233,086 S	*	10/1974	Gismondi	D6/469
D256,871 S	*	9/1980	Snyder	D6/457 X
4,389,374 A	*	6/1983	Sutton et al.	422/104
D276,271 S	*	11/1984	Boris	D24/226
4,510,119 A		4/1985	Hevey		
4,585,119 A	*	4/1986	Boyington	206/209.1
4,731,028 A		3/1988	Dickerson		
4,895,650 A		1/1990	Wang		
5,036,989 A	*	8/1991	Carilli	211/60.1 X
5,128,105 A		7/1992	Berthold et al.		
5,617,960 A	*	4/1997	Bishop	211/60.1
D454,013 S	*	3/2002	Wang	D6/469

Related U.S. Application Data

(63) Continuation of application No. 09/770,822, filed on Jan. 26, 2001.

(51) **LOC (7) Cl.** **06-04**

(52) **U.S. Cl.** **D6/469**

(58) **Field of Search** D6/396, 449, 455, D6/457, 467, 469, 470; D24/226; 211/60.1, 44, 45, 13.1, 85.5, 74

References Cited

U.S. PATENT DOCUMENTS

1,474,891 A	*	11/1923	Bart et al.	211/60.1 X
1,925,254 A		9/1933	John		
2,086,771 A		7/1937	Jester		
2,133,544 A		10/1938	Kolb		
D125,295 S	*	2/1941	Spanel	D6/457
2,419,658 A		4/1947	Rogers		
2,700,228 A		1/1955	Fainman		

* cited by examiner

Primary Examiner—Cathron C. Brooks

(74) *Attorney, Agent, or Firm*—Shook, Hardy & Bacon L.L.P.

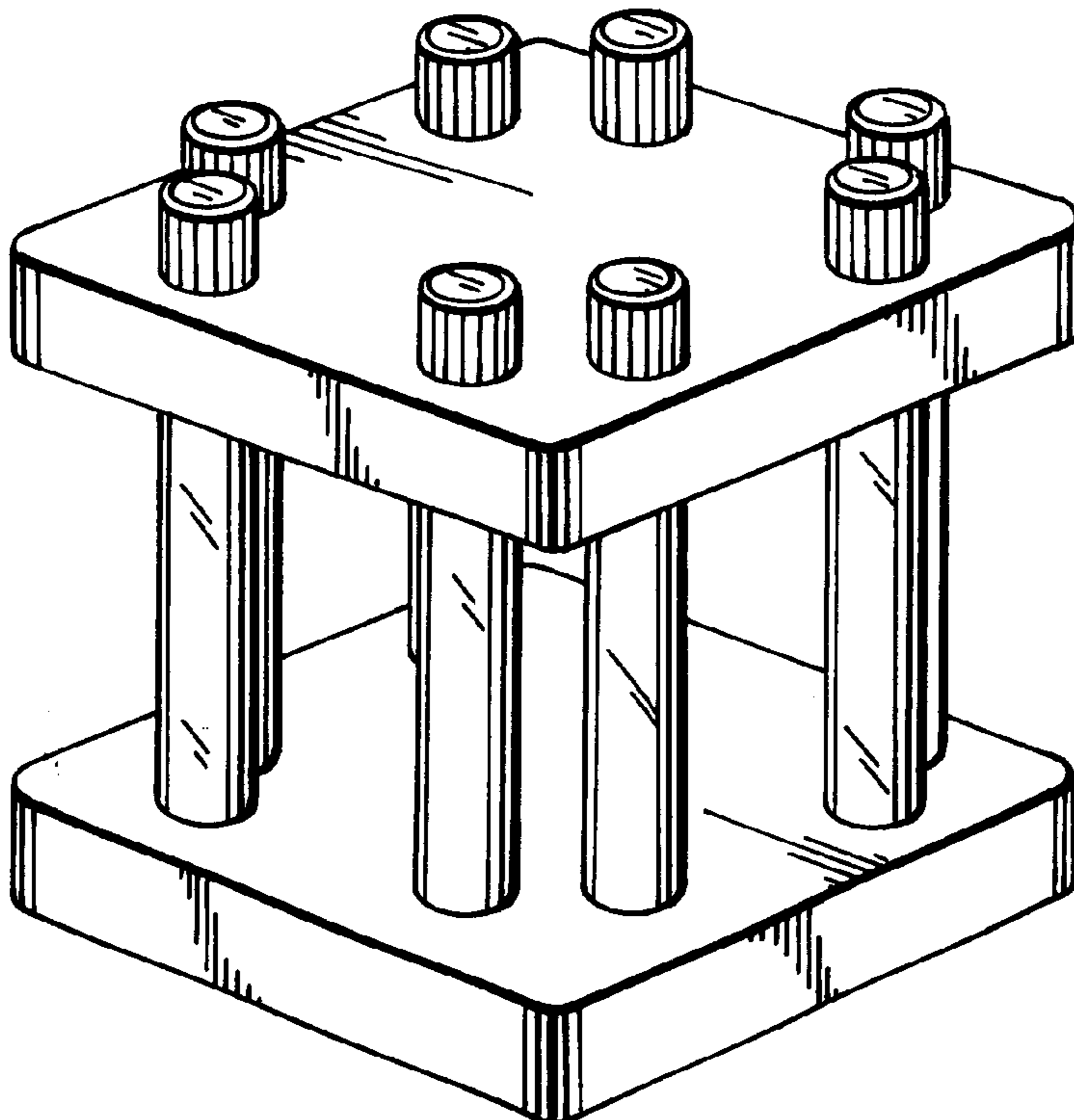
(57) **CLAIM**

The ornamental design for a fluid display, as shown and described.

DESCRIPTION

FIG. 1 is a front perspective view of a fluid display according to the present invention;
FIG. 2 is a top plan view thereof;
FIG. 3 is a side elevational view thereof, the opposite side and the two adjacent sides being a mirror images thereof; and,
FIG. 4 is a bottom plan view thereof.

1 Claim, 1 Drawing Sheet



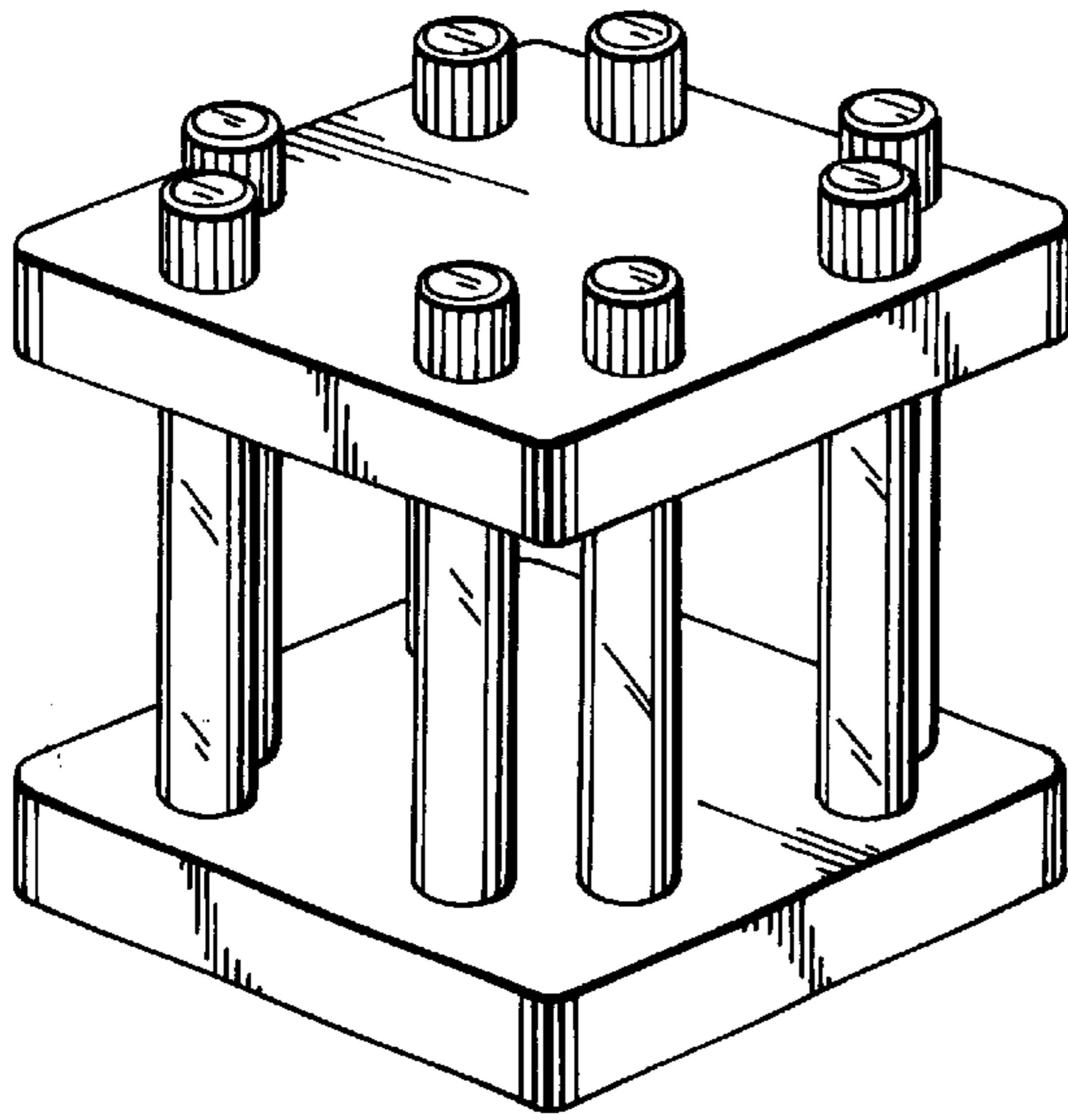


FIG. 1.

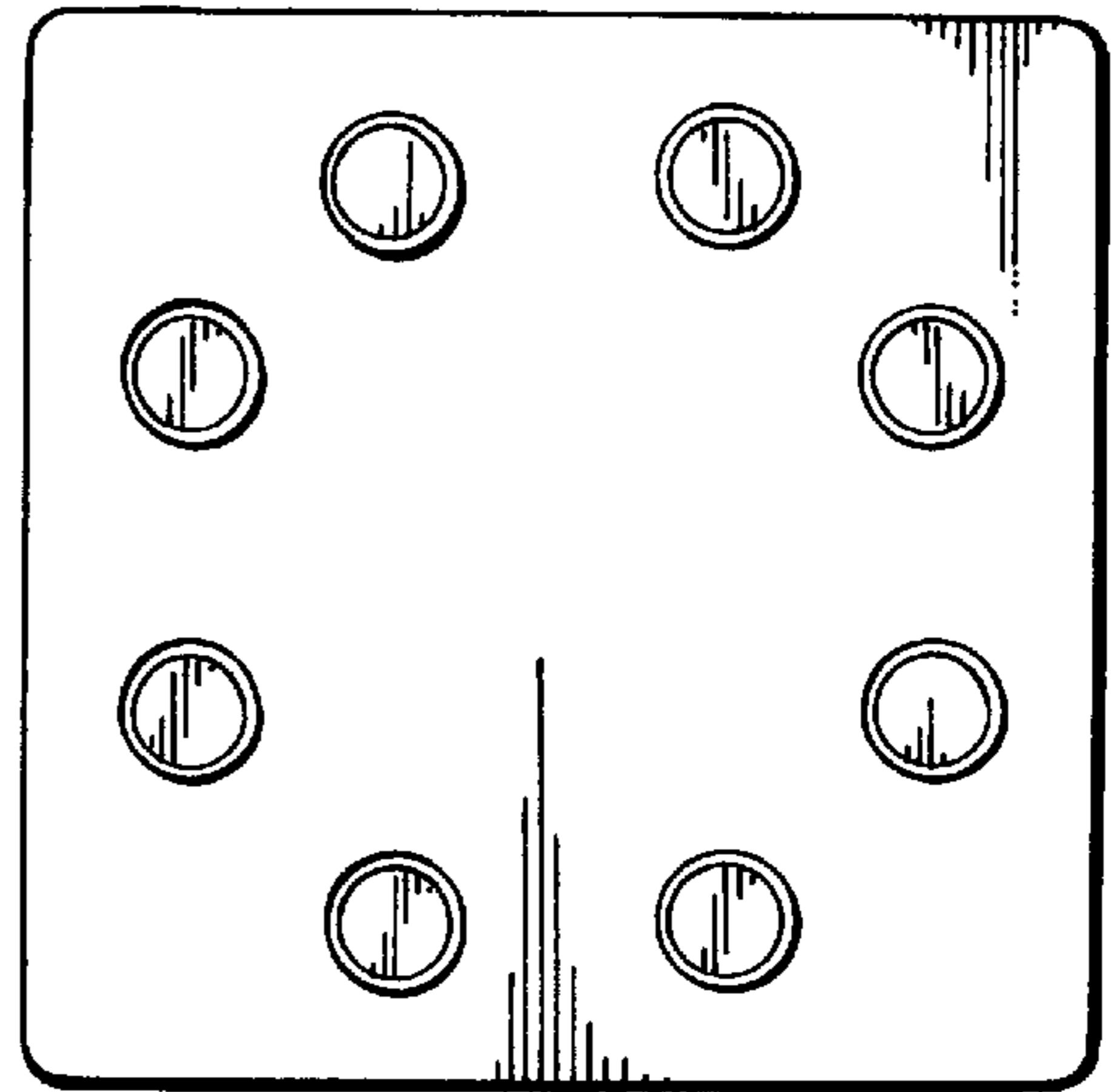


FIG. 2.

FIG. 3.

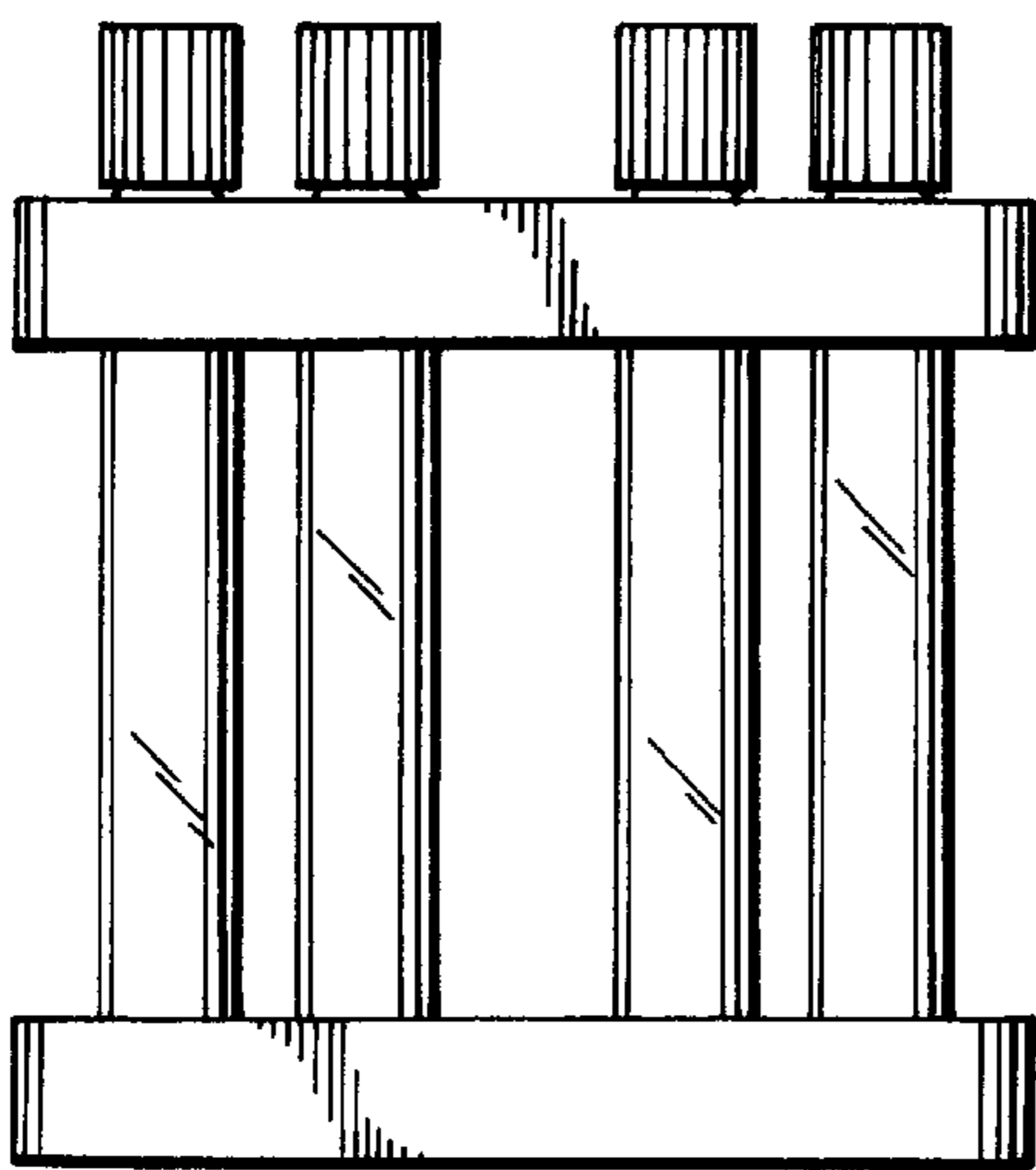


FIG. 4.

