



US00D472734S

(12) **United States Design Patent**  
**Goss**

(10) **Patent No.:** **US D472,734 S**

(45) **Date of Patent:** **\*\* Apr. 8, 2003**

(54) **CABINET**

(76) **Inventor:** **Duke W. Goss**, 127 10th St. S. Suite  
600, Kirkland, WA (US) 98033

(\*\*) **Term:** **14 Years**

(21) **Appl. No.:** **29/158,053**

(22) **Filed:** **Mar. 27, 2002**

(51) **LOC (7) Cl.** ..... **06-04**

(52) **U.S. Cl.** ..... **D6/448**

(58) **Field of Search** ..... D6/396, 397, 432,  
D6/433, 436, 440, 441, 444-448, 479, 509,  
510, 511; 312/198, 138.1, 204, 213, 348.4

(56) **References Cited**

**U.S. PATENT DOCUMENTS**

D366,975 S	*	2/1996	Kaga	.....	D6/470
D424,328 S	*	5/2000	Dominik	.....	D6/445
D457,749 S	*	5/2002	Doane	.....	D6/446

\* cited by examiner

*Primary Examiner*—Cathron C. Brooks

(74) *Attorney, Agent, or Firm*—Delbert J. Barnard

(57) **CLAIM**

The ornamental design for a cabinet, as shown and described.

**DESCRIPTION**

FIG. 1 is a pictorial view of the cabinet, such view being taken from above and looking towards the top and one side of the cabinet;

FIG. 2 is a side elevational view of the cabinet shown by FIG. 1;

FIG. 3 is a front elevational view of the cabinet shown by FIGS. 1 and 2;

FIG. 4 is a side elevational view looking towards the side of the cabinet that is shown in FIG. 1;

FIG. 5 is a rear elevational view of the cabinet;

FIG. 6 is a top plan view of the cabinet;

FIG. 7 is a bottom plan view of the cabinet;

FIG. 8 is a view like FIG. 1, but showing the front cover spaced outwardly from the cabinet for completeness of illustration; and,

FIG. 9 is a view like FIG. 3, but with the front cover omitted. The broken lines shown in FIGS. 1 and 5-8 are for illustrative purposes only and form no part of the claimed design.

**1 Claim, 4 Drawing Sheets**

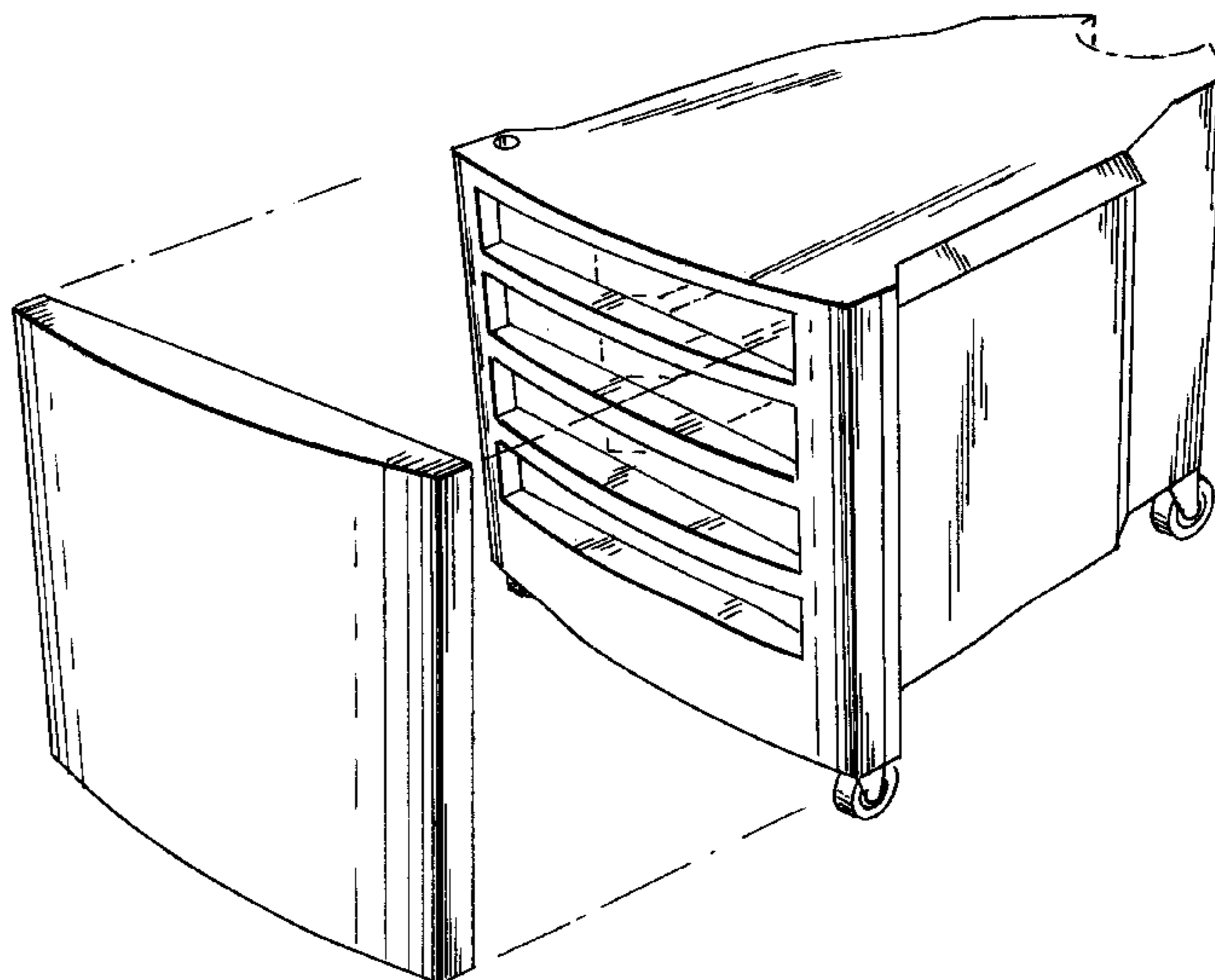
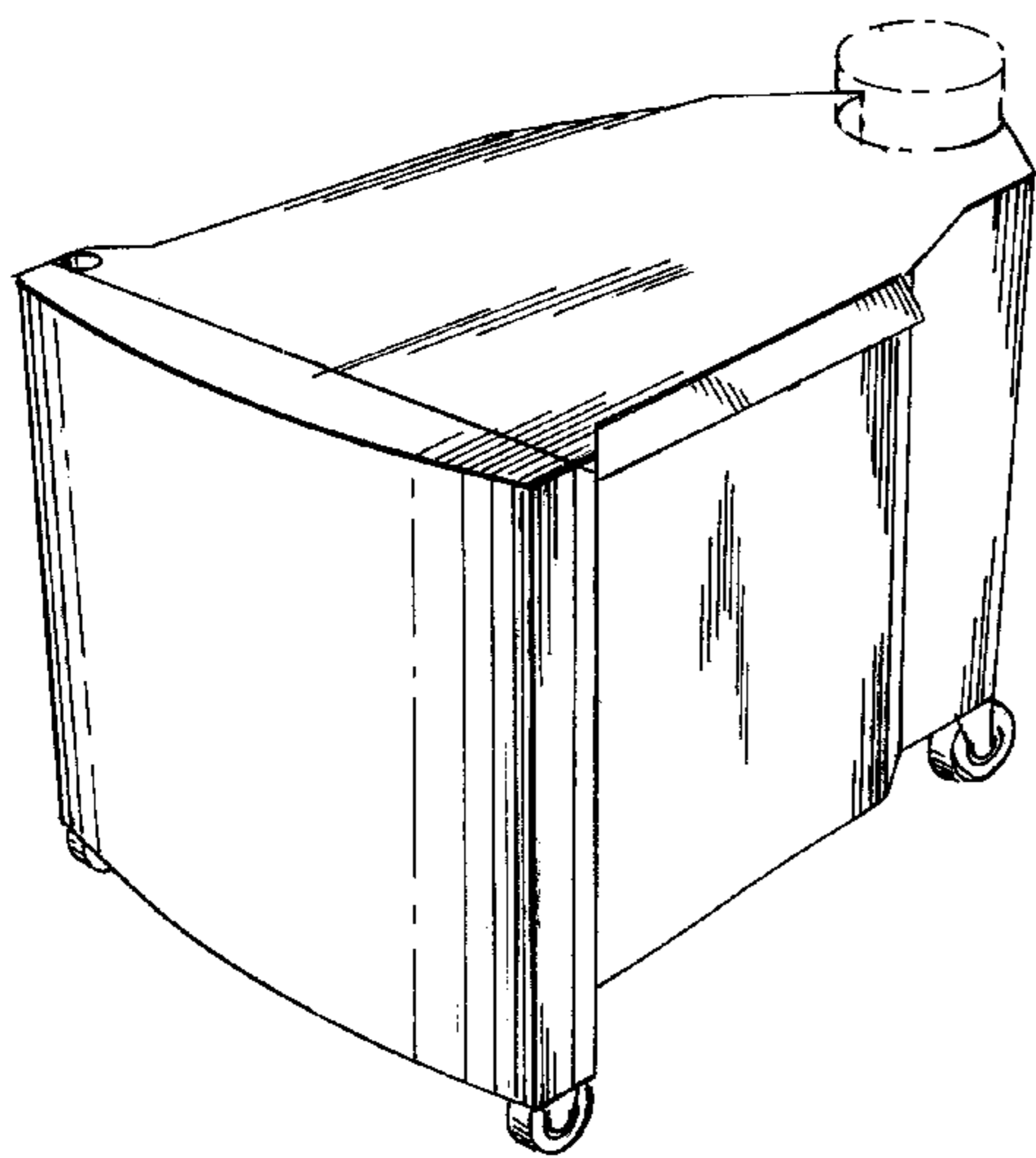


FIG. 1

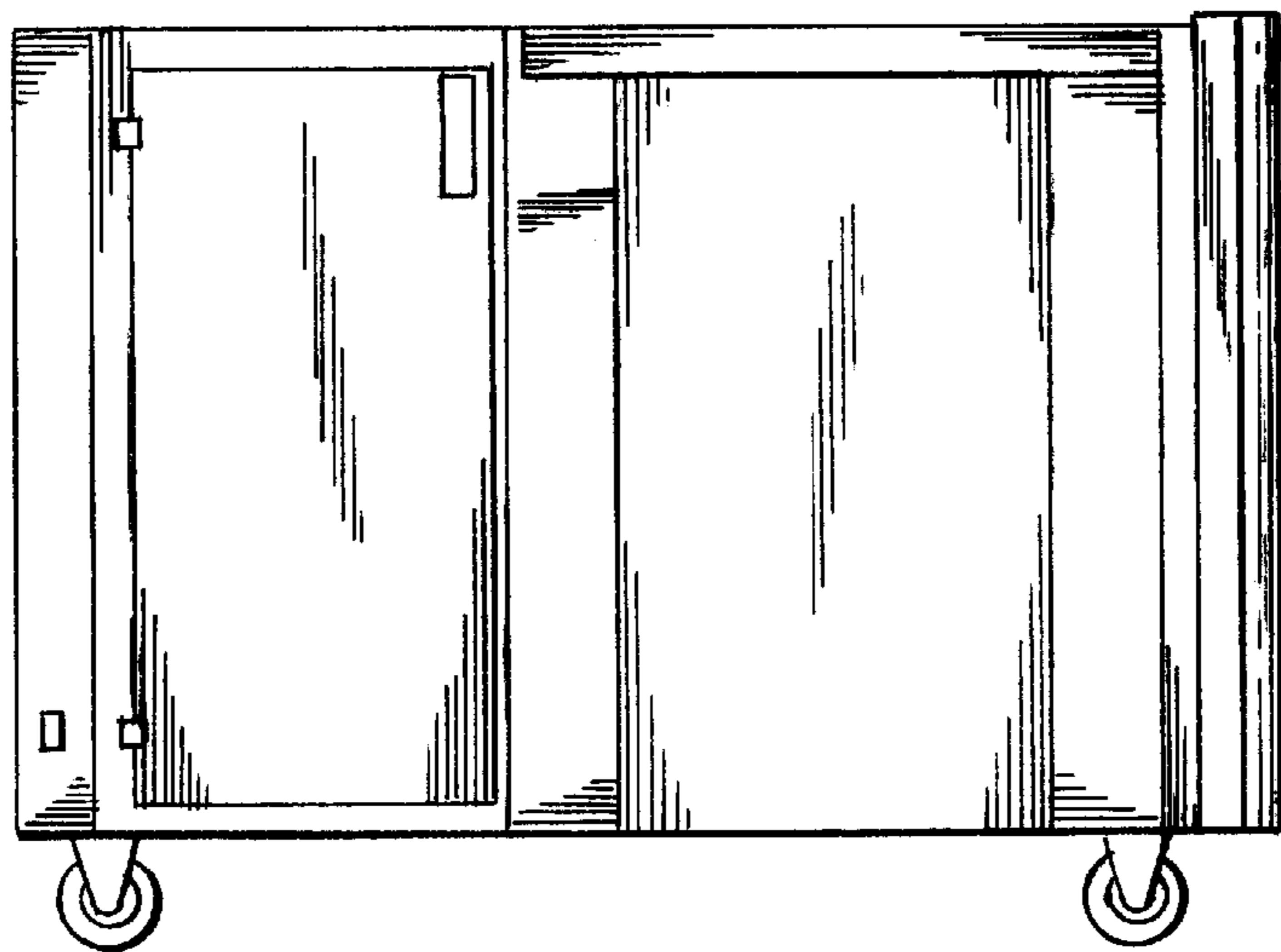
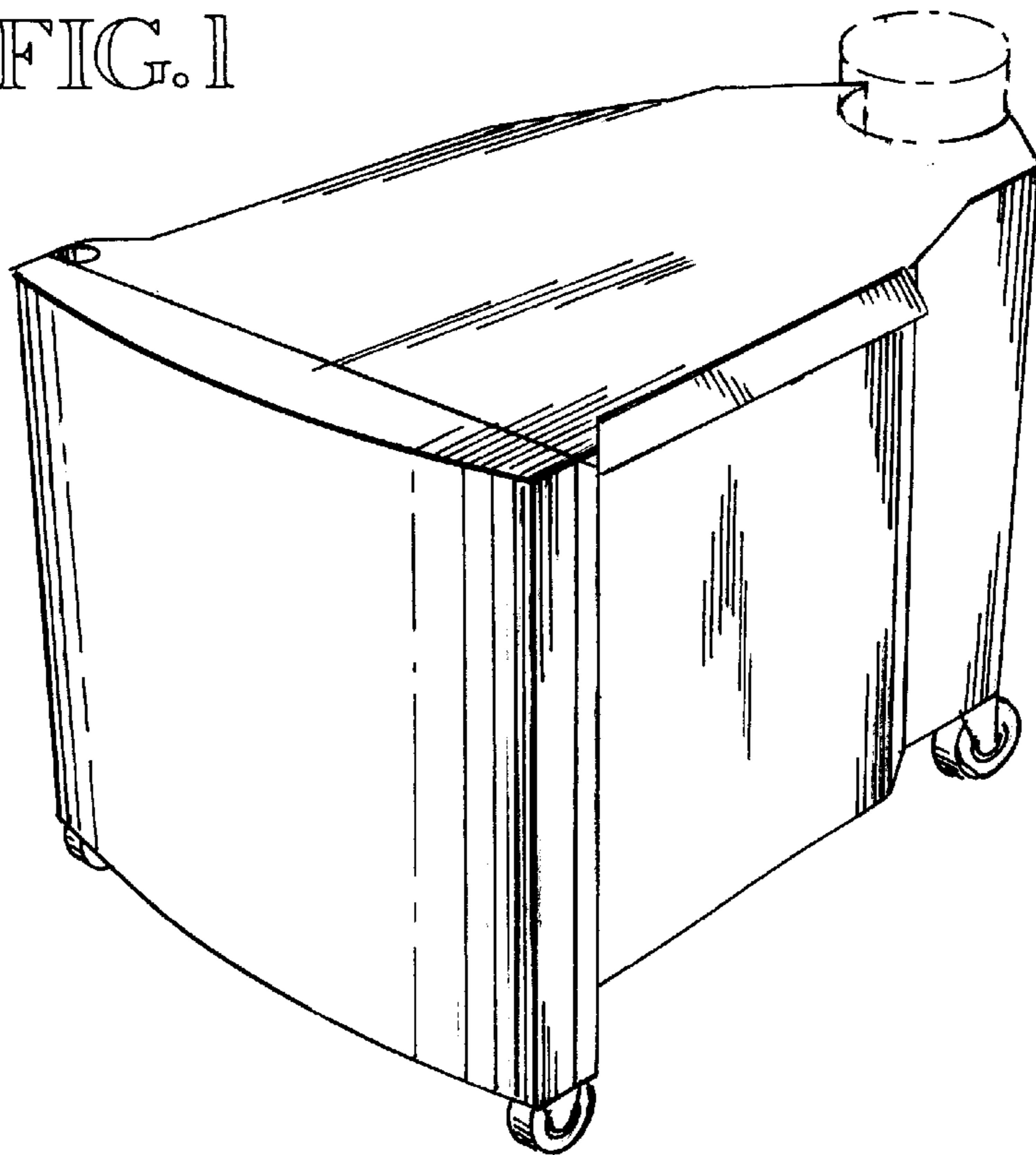


FIG. 2

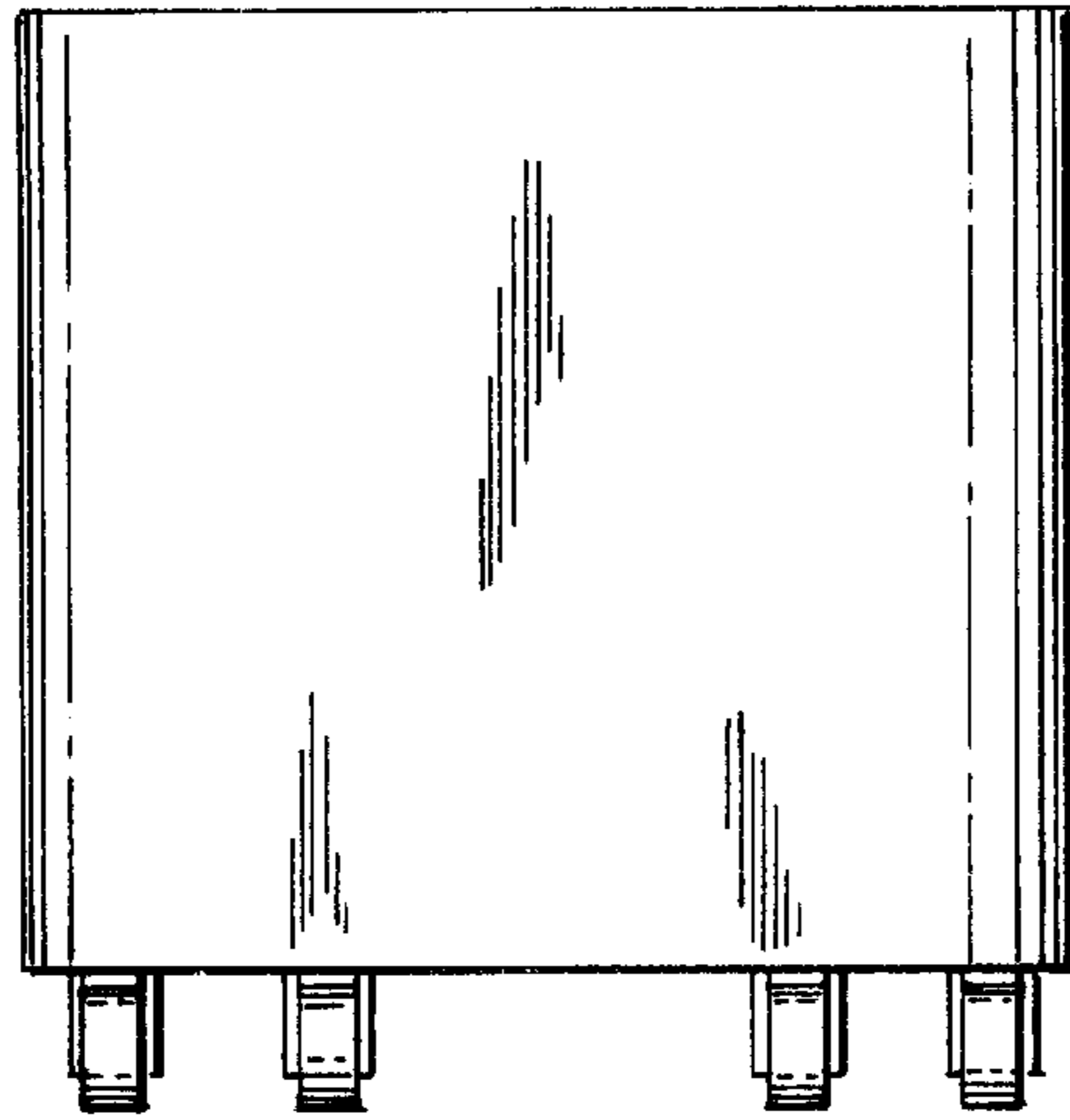


FIG. 3

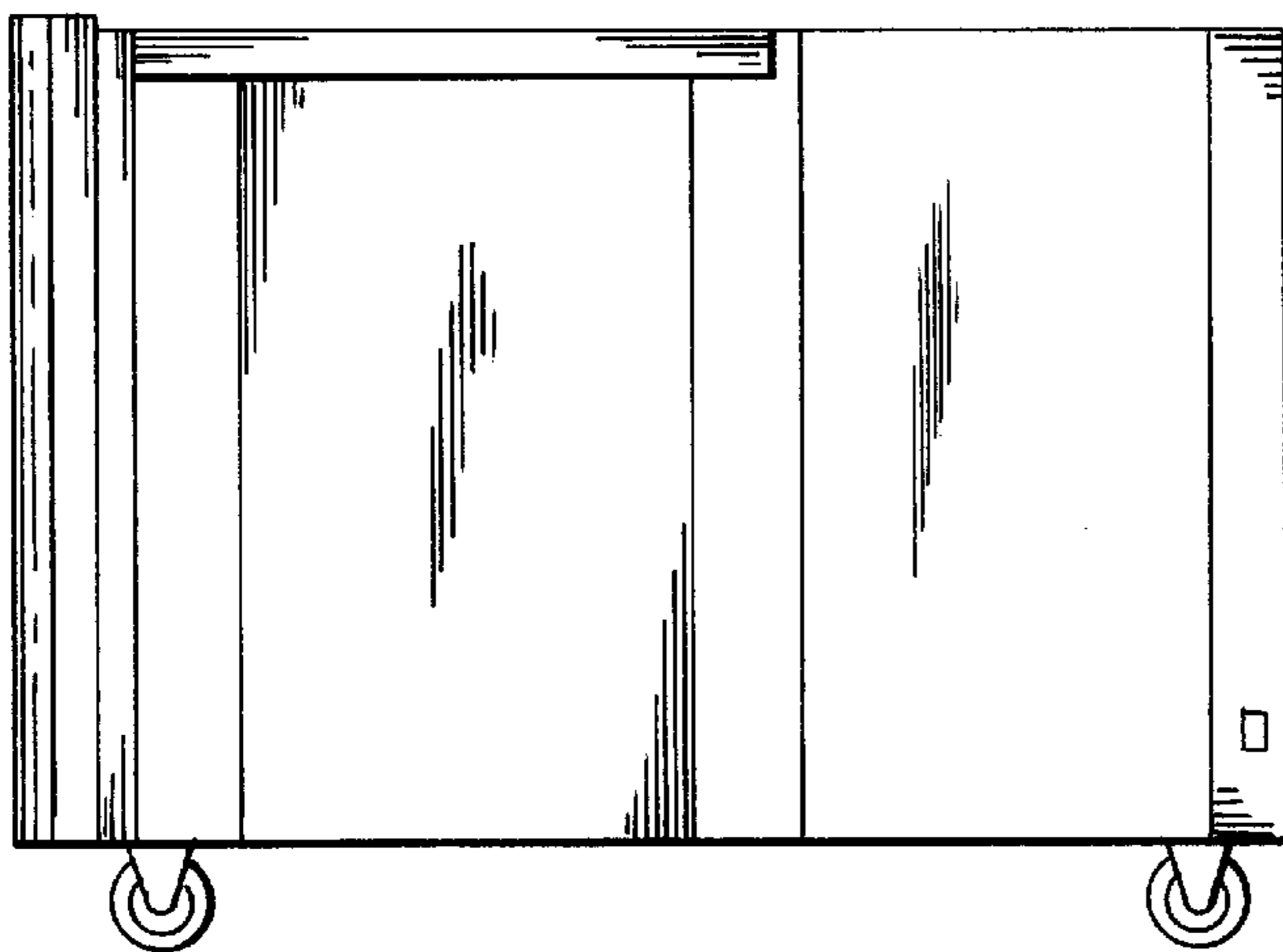


FIG. 4

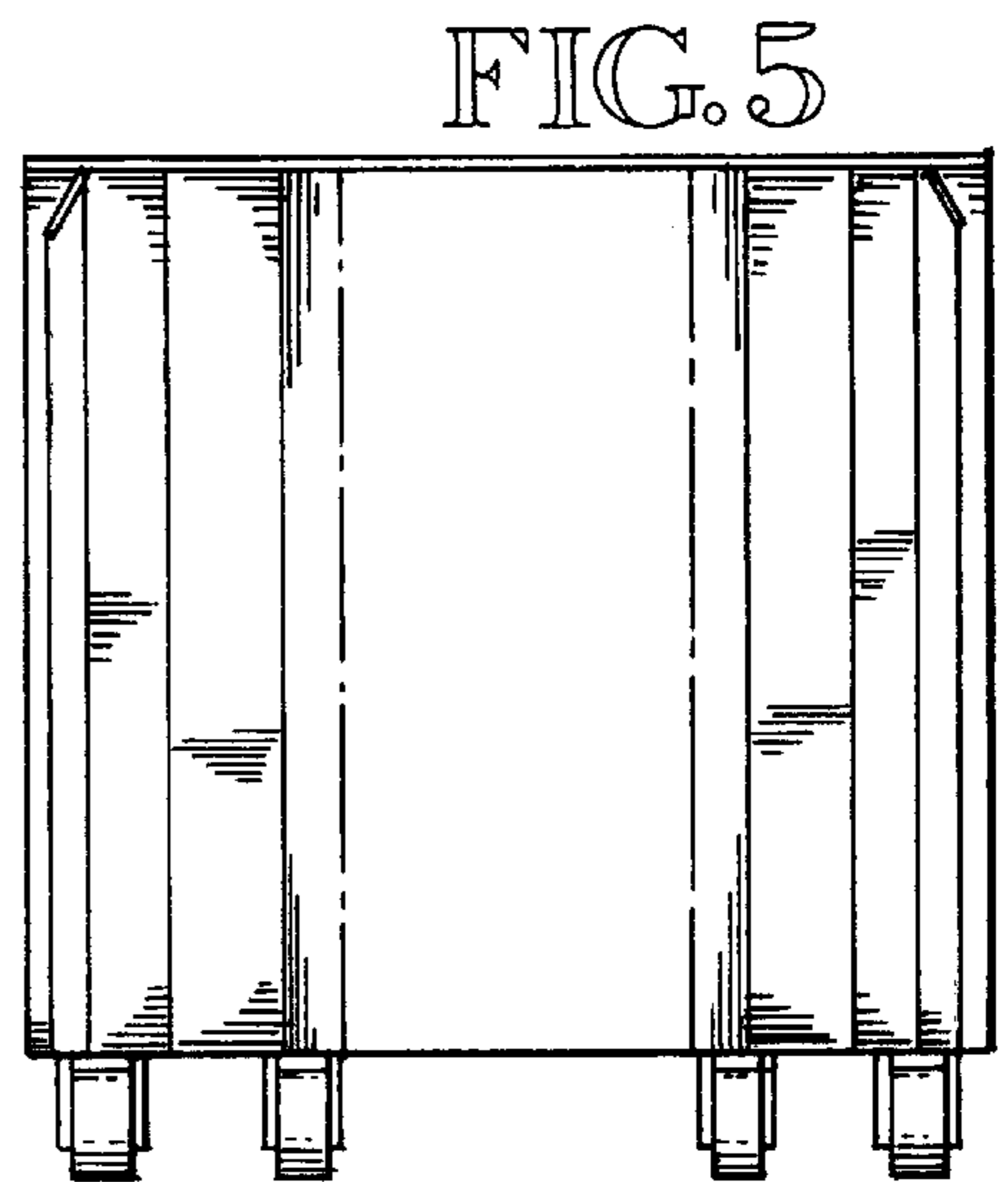


FIG. 5

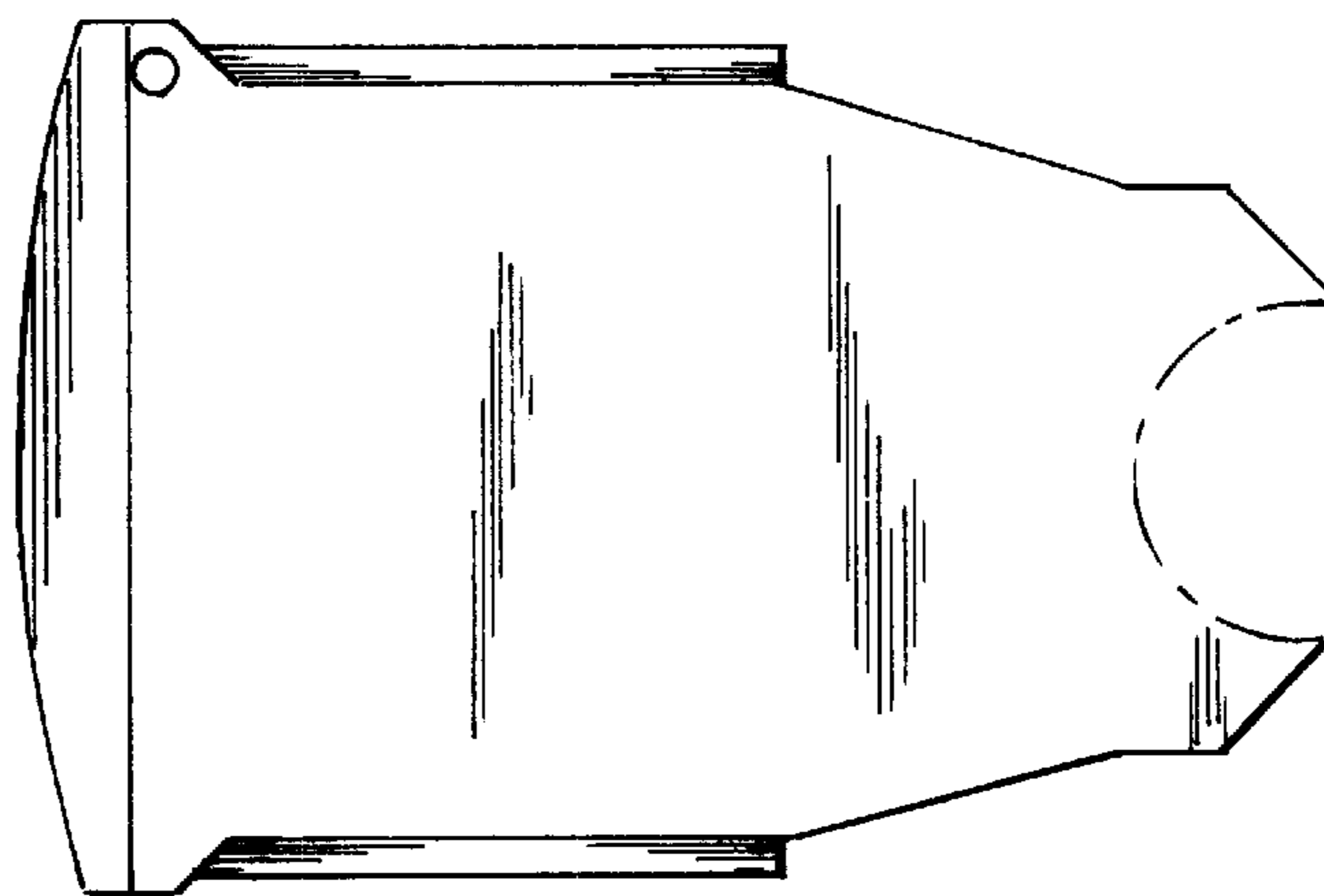


FIG. 6

FIG. 7

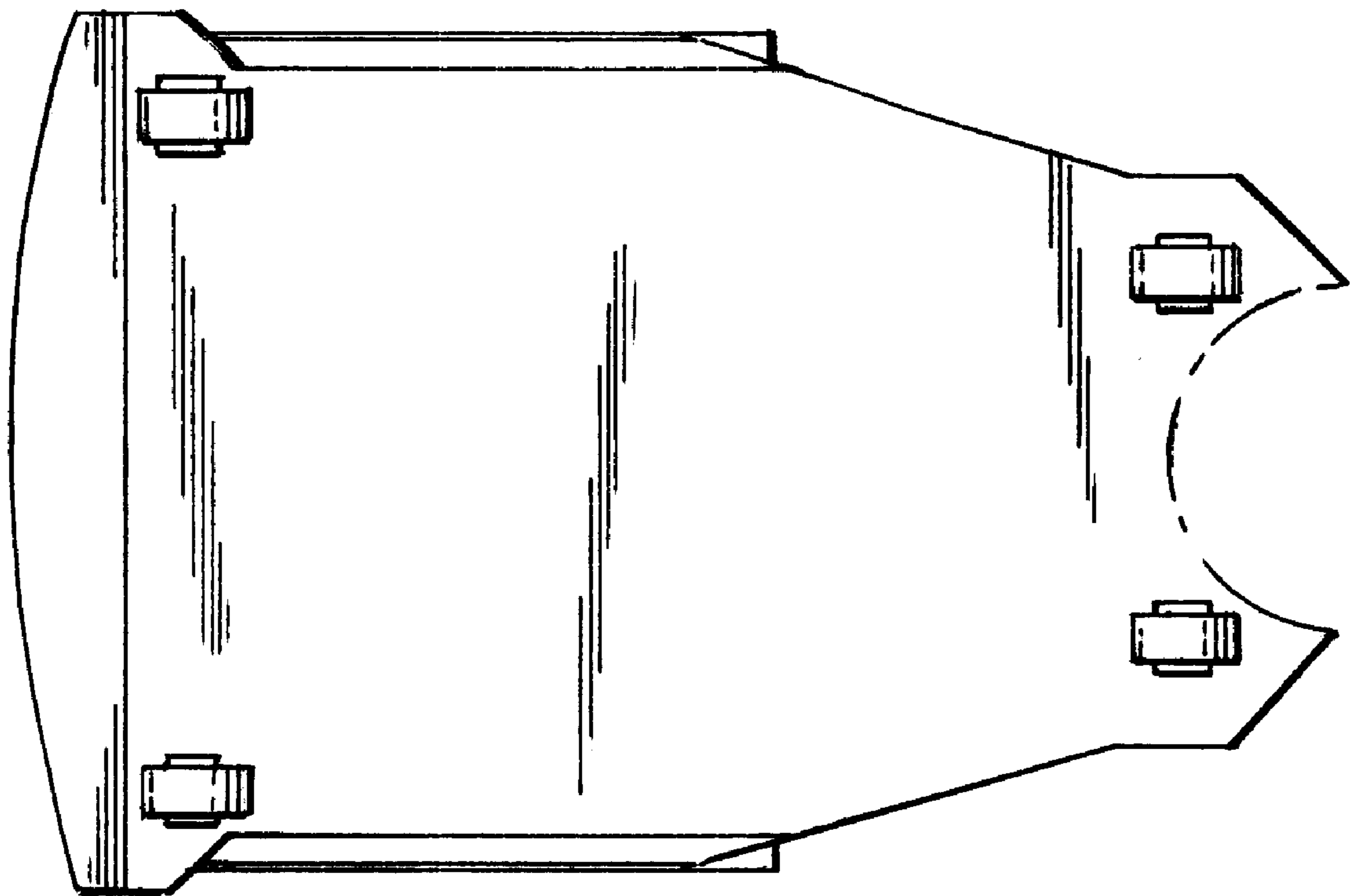


FIG. 8

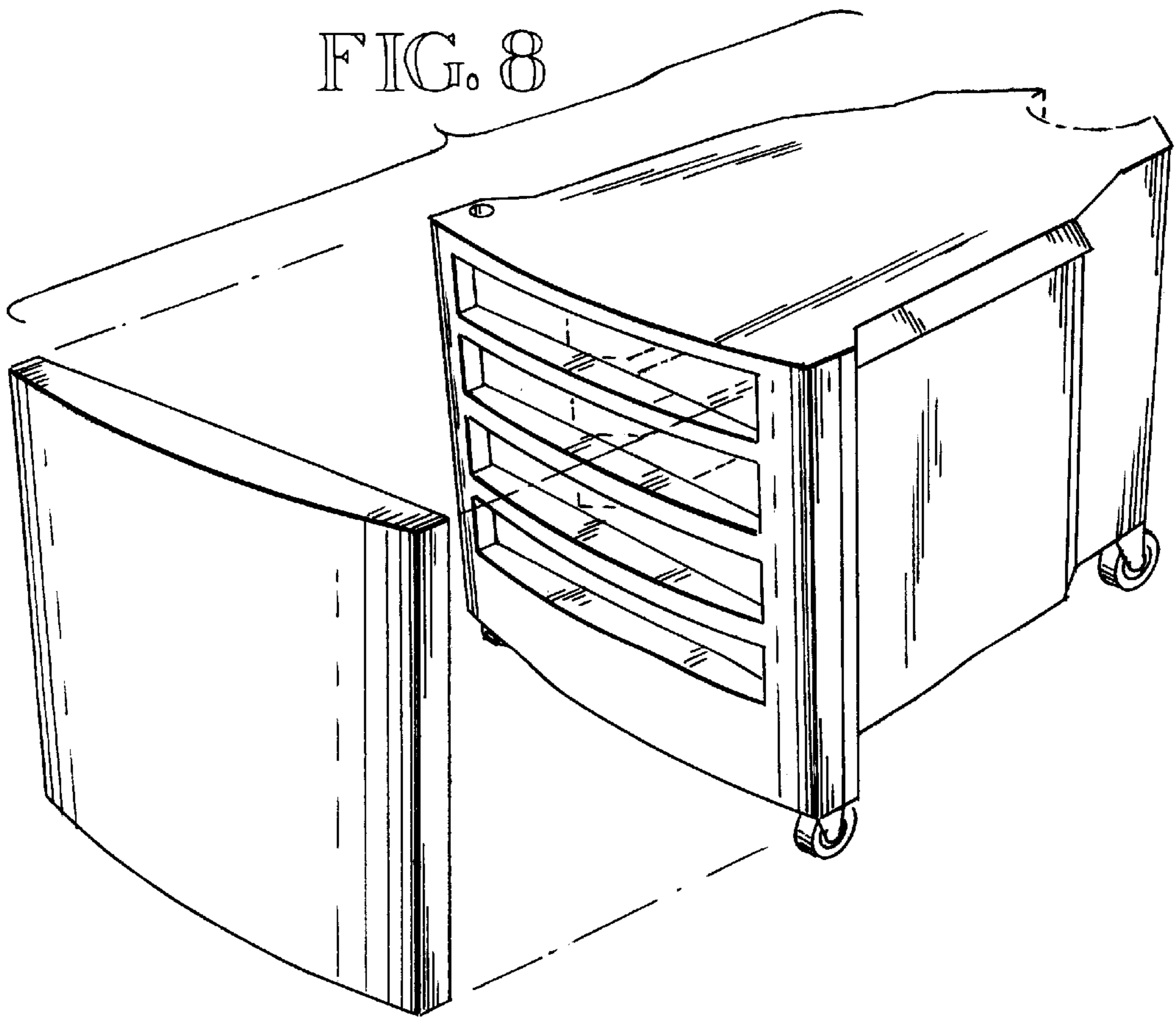


FIG. 9

