



US00D472730S

(12) **United States Design Patent**  
**Sparkowski**

(10) **Patent No.:** **US D472,730 S**

(45) **Date of Patent:** **\*\* Apr. 8, 2003**

(54) **PRODUCT DISPENSER**

(75) **Inventor:** **Robert P. Sparkowski**, Schaumburg, IL (US)

(73) **Assignee:** **Chicago Display Marketing**, Melrose Park, IL (US)

(\*\*) **Term:** **14 Years**

(21) **Appl. No.:** **29/164,309**

(22) **Filed:** **Jul. 22, 2002**

(51) **LOC (7) Cl.** ..... **06-04**

(52) **U.S. Cl.** ..... **D6/408; D6/455; D6/476**

(58) **Field of Search** ..... D6/396, 408, 449, D6/455, 457, 475, 476; 211/59.2, 70, 78, 163

(56) **References Cited**

**U.S. PATENT DOCUMENTS**

4,480,755 A \* 11/1984 Cartwright ..... 211/70.6  
D277,440 S \* 2/1985 Cartwright ..... D6/476

D281,558 S \* 12/1985 Cartwright ..... D6/469

D303,884 S \* 10/1989 Yeranossian ..... D6/455

5,096,073 A \* 3/1992 O'Brien ..... 211/163

D435,181 S \* 12/2000 Brozak, Jr. .... D6/455

6,302,285 B1 \* 10/2001 Fulle ..... 211/189

\* cited by examiner

*Primary Examiner*—Cathron C. Brooks

(74) *Attorney, Agent, or Firm*—Vedder Price Kaufman & Kammholz

(57) **CLAIM**

The ornamental design for the product dispenser, as shown and described.

**DESCRIPTION**

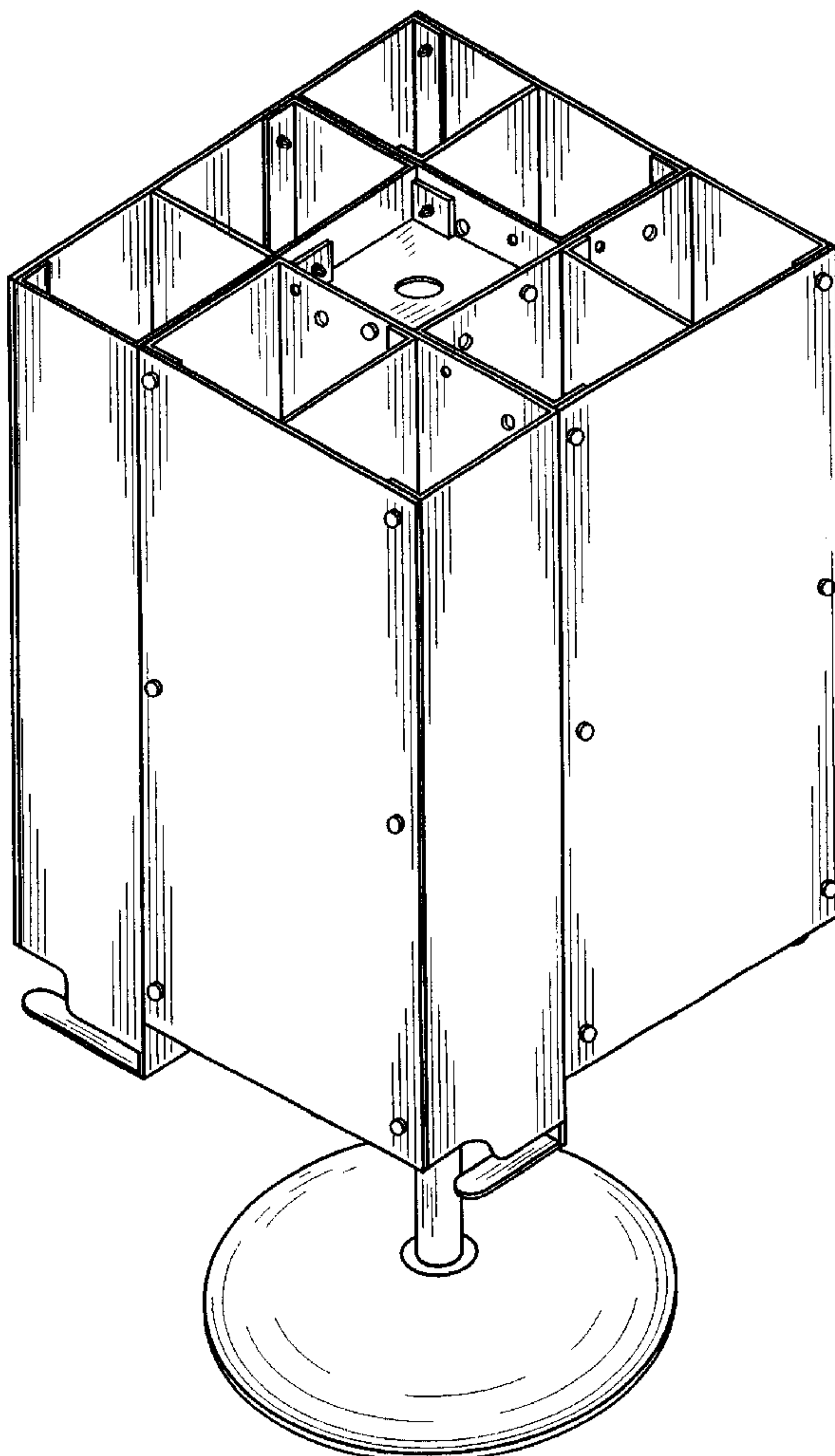
FIG. 1 is a perspective view of the product dispenser showing my new design;

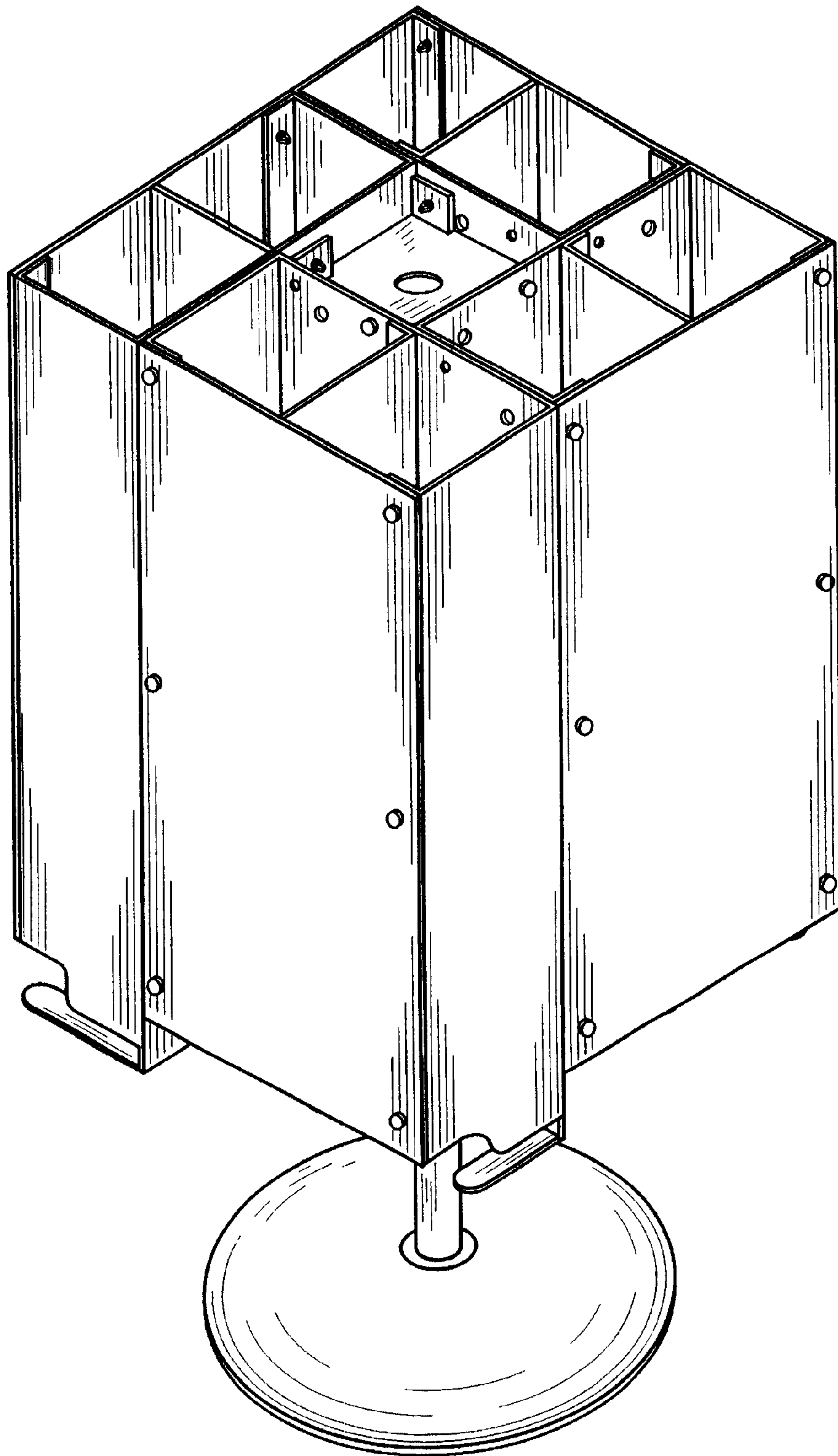
FIG. 2 is a side view of my invention shown in FIG. 1, the other sides being identical;

FIG. 3 is a top view of my invention shown in FIG. 1; and,

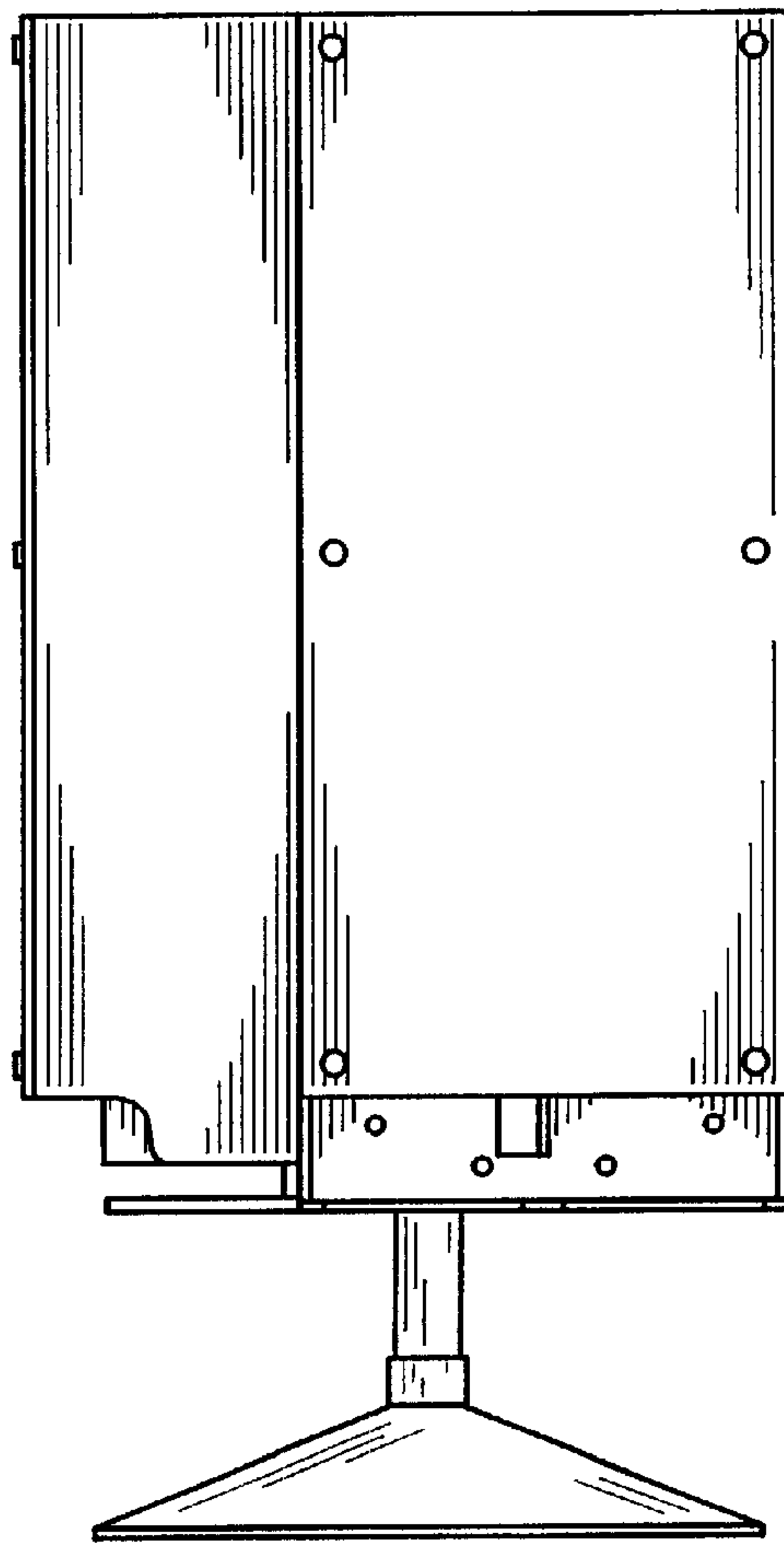
FIG. 4 is a bottom view of my invention shown in FIG. 1.

**1 Claim, 2 Drawing Sheets**

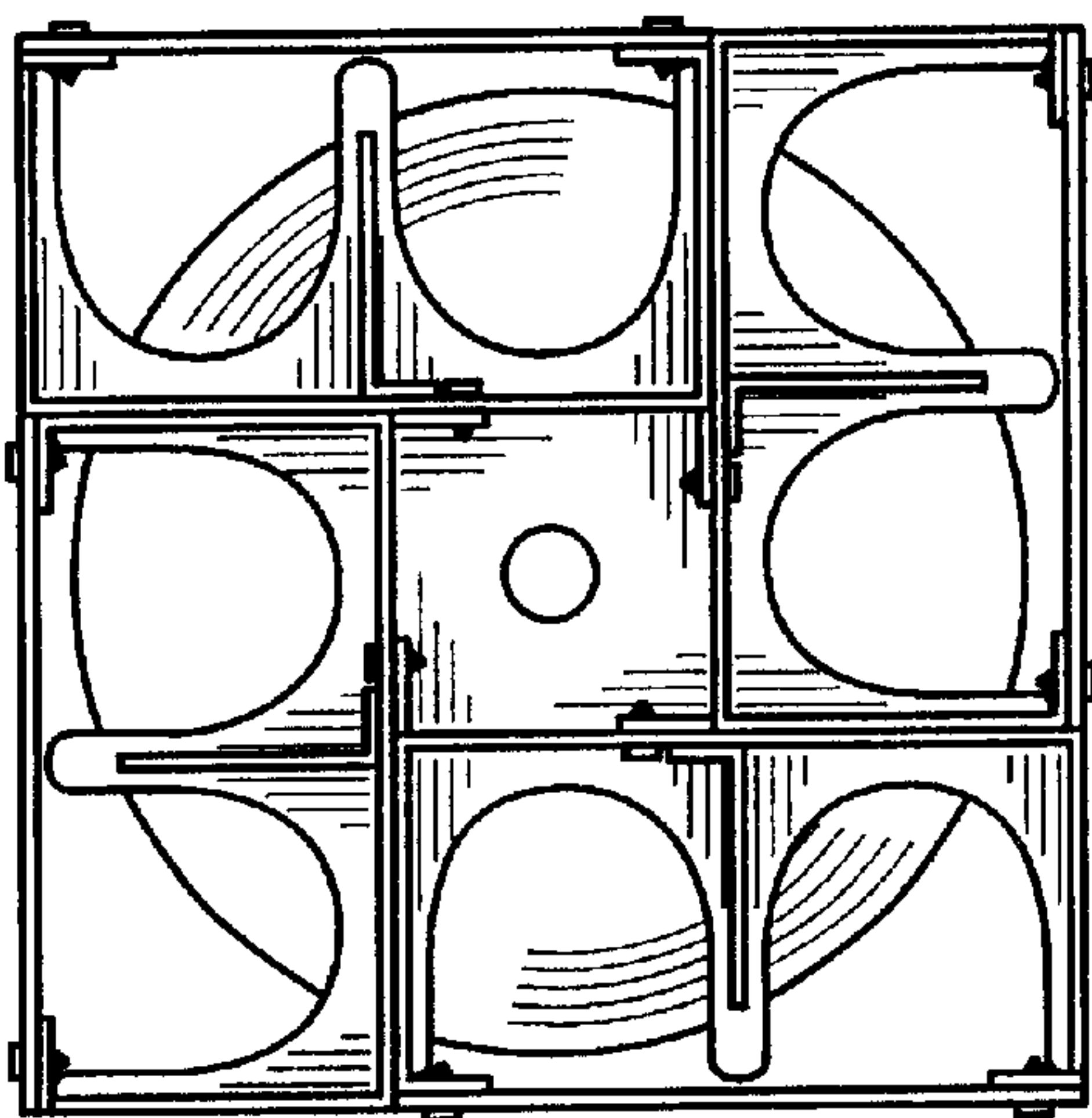




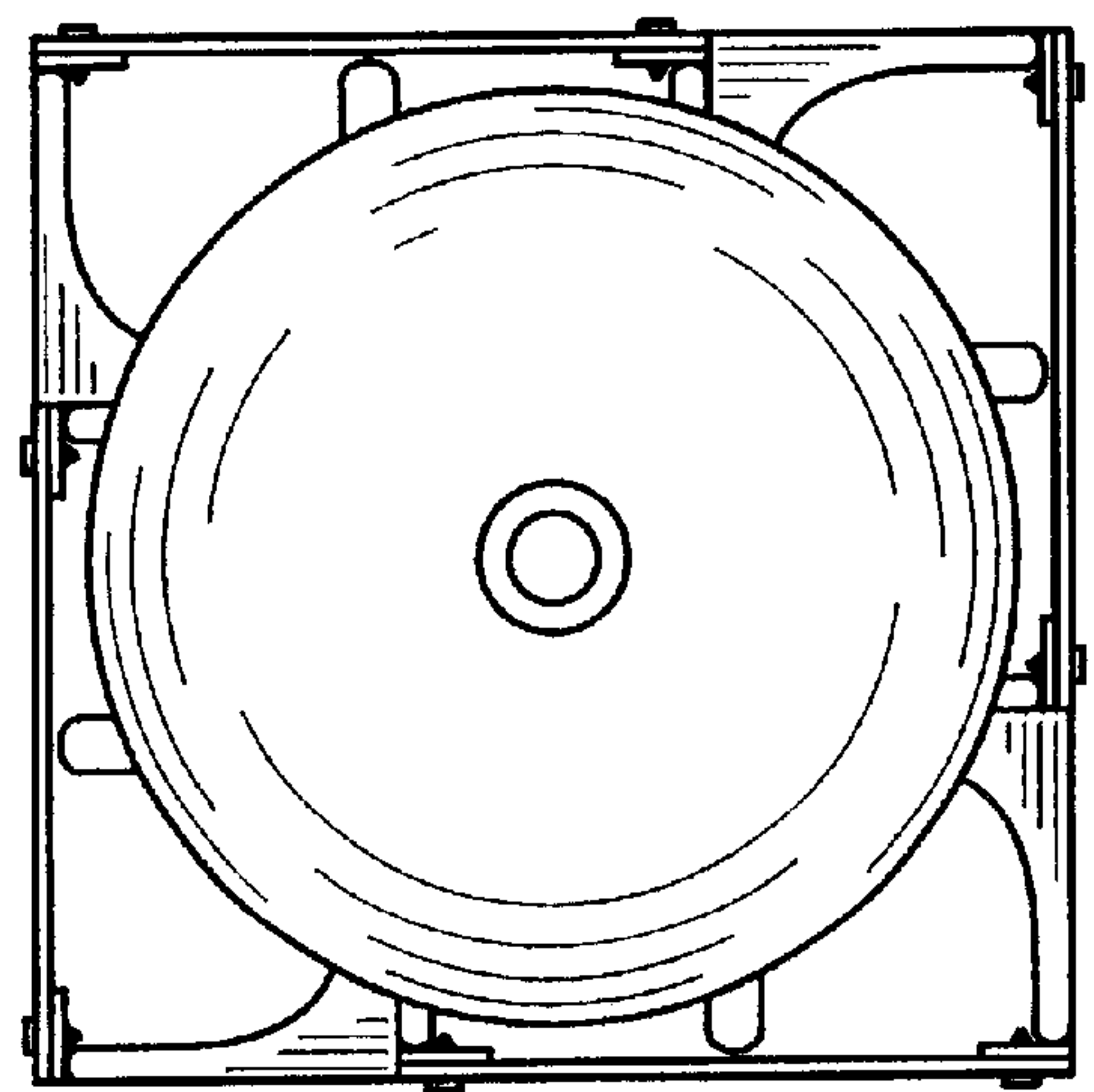
**FIG. 1**



**FIG. 2**



**FIG. 3**



**FIG. 4**