



US00D472726S

(12) **United States Design Patent**
Calfa

(10) **Patent No.:** **US D472,726 S**

(45) **Date of Patent:** **** Apr. 8, 2003**

(54) **SEASHELL COUCH**

Primary Examiner—Gary D. Watson

(76) **Inventor:** **Lyle E. Calfa**, 954 Rice Ct., Naperville, IL (US) 60565

(57) **CLAIM**

(**) **Term:** **14 Years**

The ornamental design for a seashell couch, as shown and described.

(21) **Appl. No.:** **29/162,527**

DESCRIPTION

(22) **Filed:** **Jun. 16, 2002**

(51) **LOC (7) Cl.** **06-01**

(52) **U.S. Cl.** **D6/381**

(58) **Field of Search** D6/334, 335, 336, D6/358, 377, 381, 500, 501, 502; 297/232

FIG. 1 is a right front perspective view of a seashell couch showing my design;

FIG. 2 is a front view of the embodiment of the invention shown in FIG. 1;

FIG. 3 is a top plan view of the embodiment of the invention shown in FIG. 1;

(56) **References Cited**

U.S. PATENT DOCUMENTS

D147,386 S	*	8/1947	Thomas	D6/377
D210,824 S	*	4/1968	Blix, III	D6/377
D392,471 S	*	3/1998	Smith	D6/334
D443,996 S	*	6/2001	Nicoletti	D6/381
D444,641 S	*	7/2001	Lipparini	D6/381

FIG. 4 is an end view of the right side of the embodiment of the invention shown in FIG. 1;

FIG. 5 is an end view of the left side of the embodiment of the invention shown in FIG. 1; and,

FIG. 6 is a back view of the embodiment of the invention shown in FIG. 1.

OTHER PUBLICATIONS

Cassina catalogue, Paolo Deganello, 654 Torso (1982), Copyright Cassina S.p.A. 1982, p. 19.

The fragmented cross-hatching is understood to represent fabric and would be continuous throughout the circumscribed areas.

* cited by examiner

1 Claim, 2 Drawing Sheets

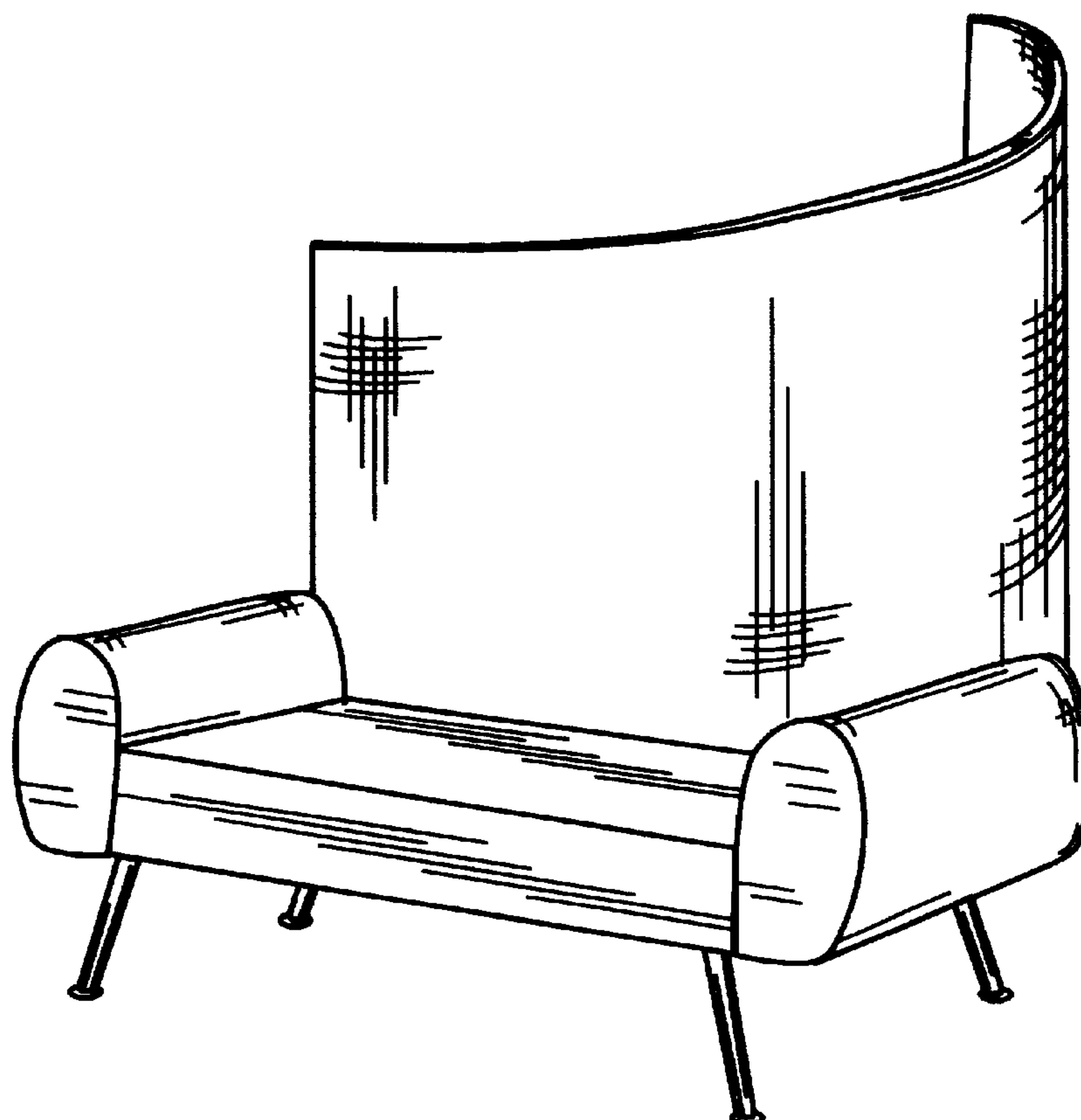


FIG. 1

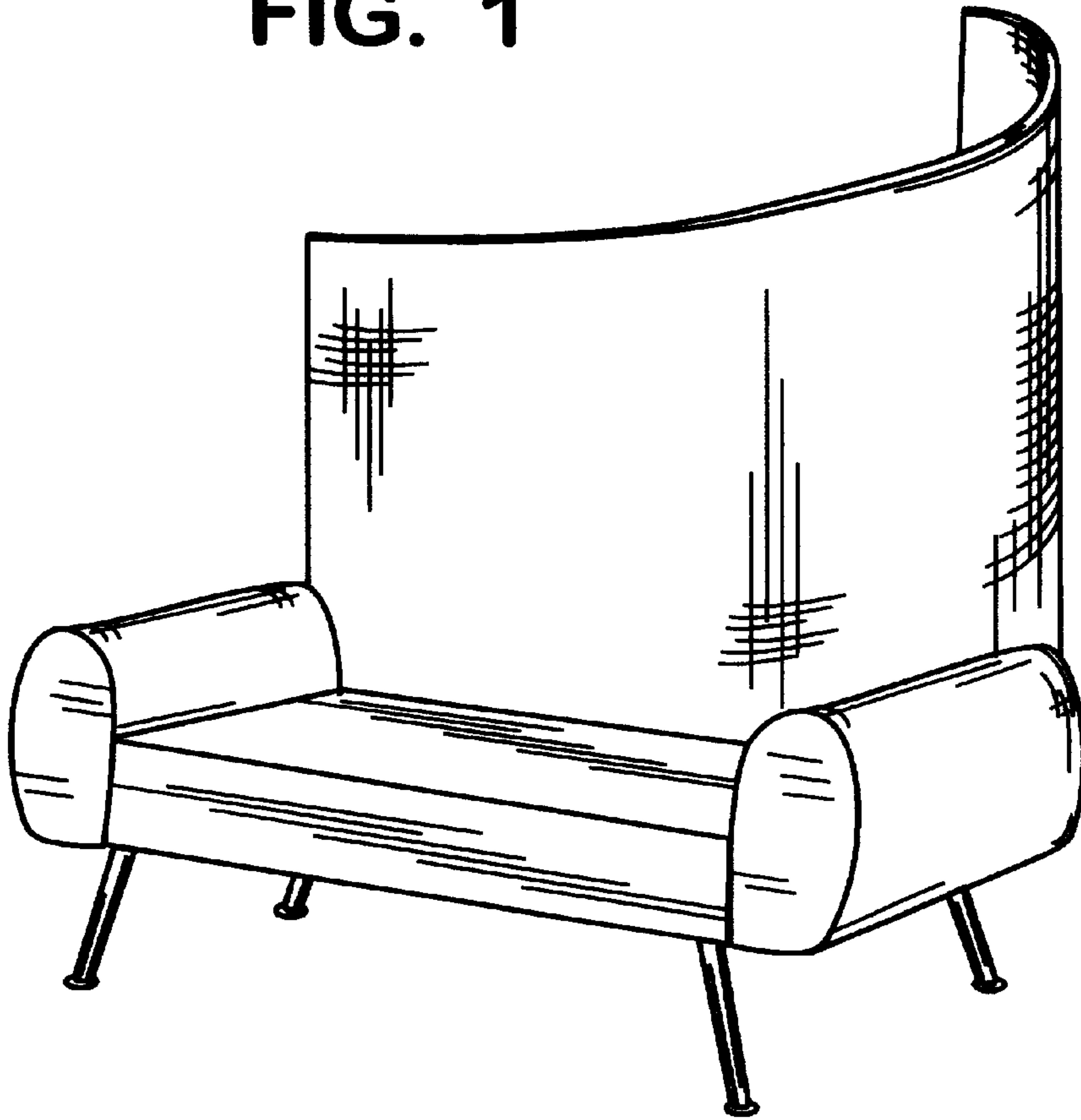


FIG. 3

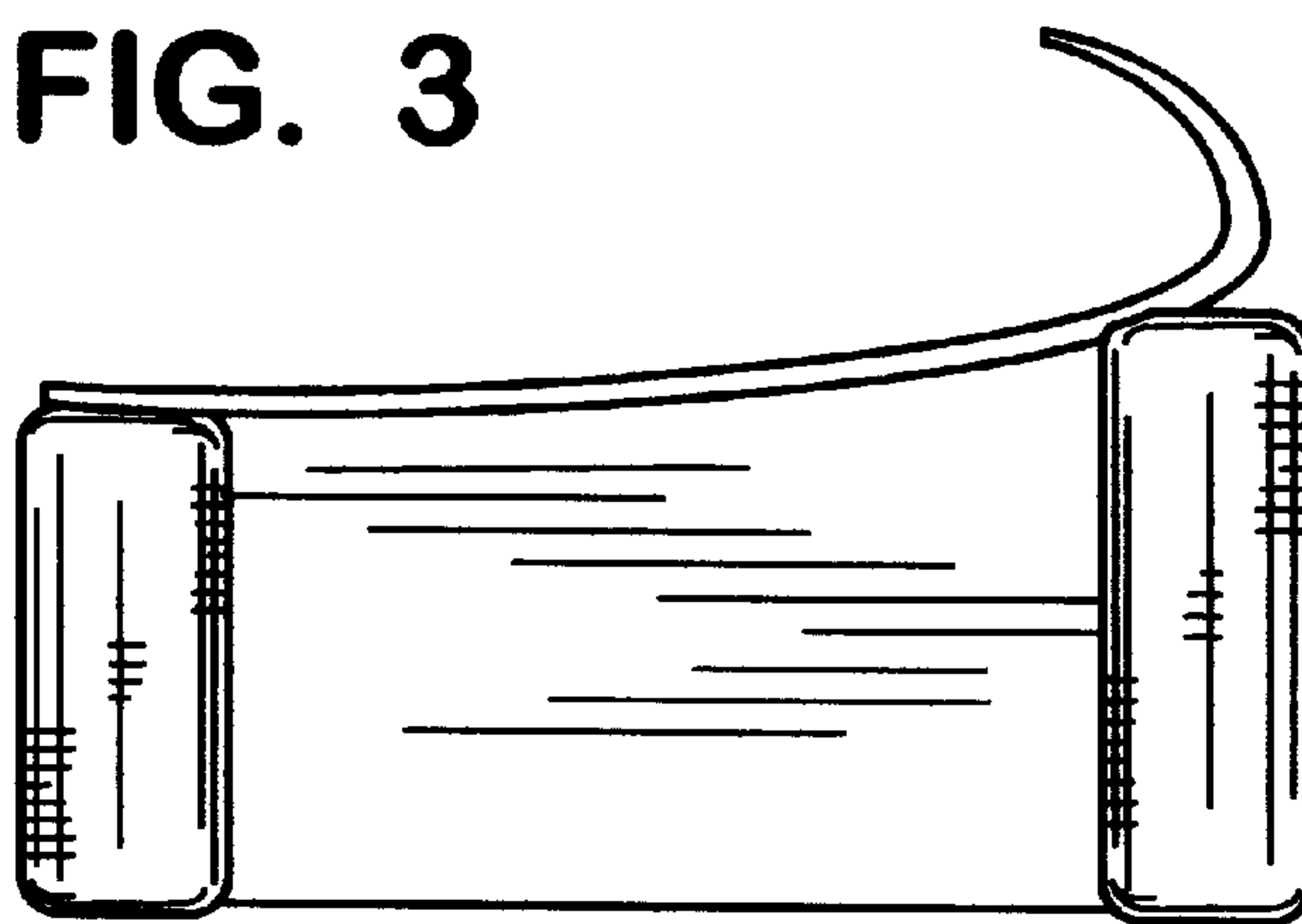


FIG. 2

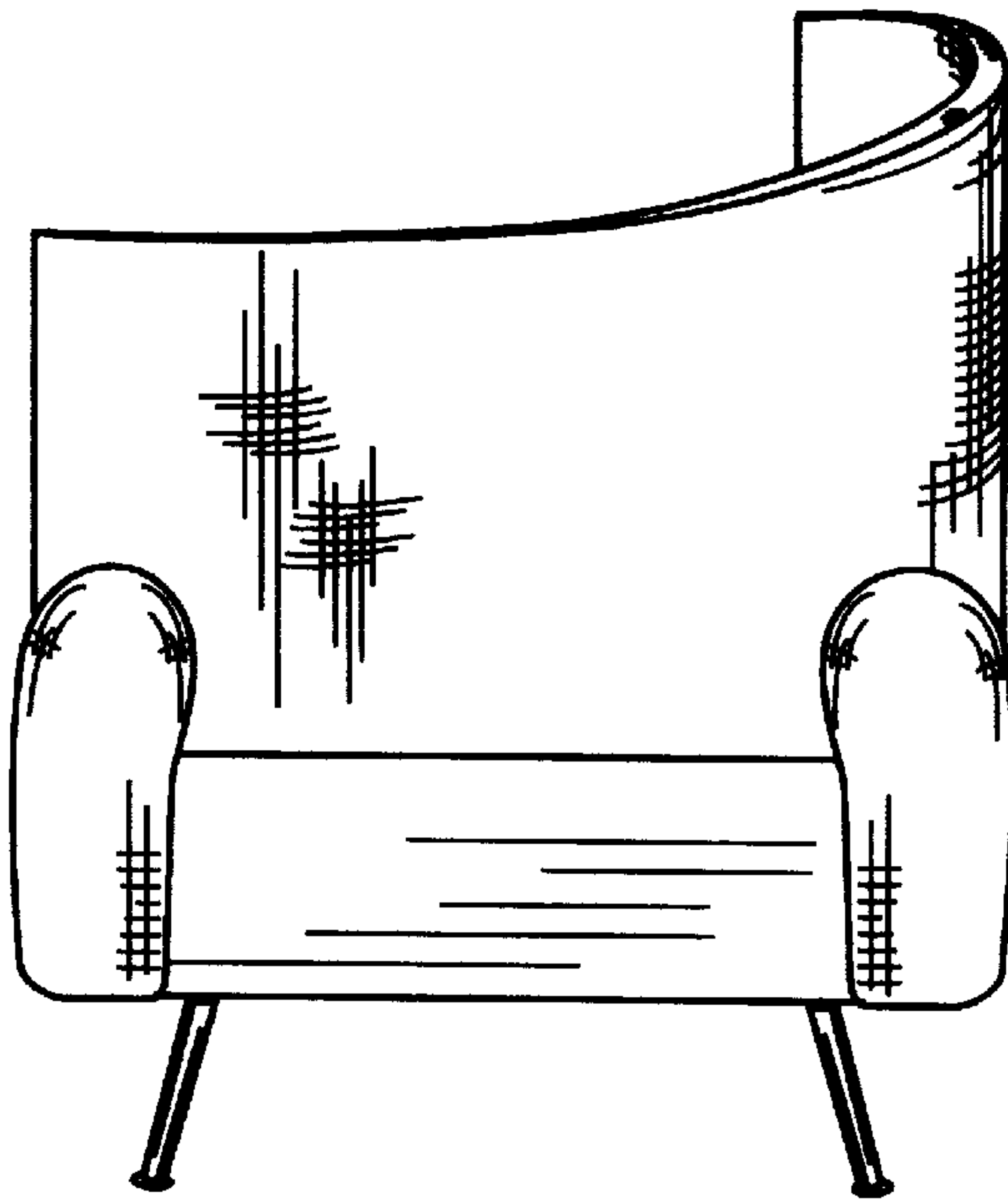


FIG. 5

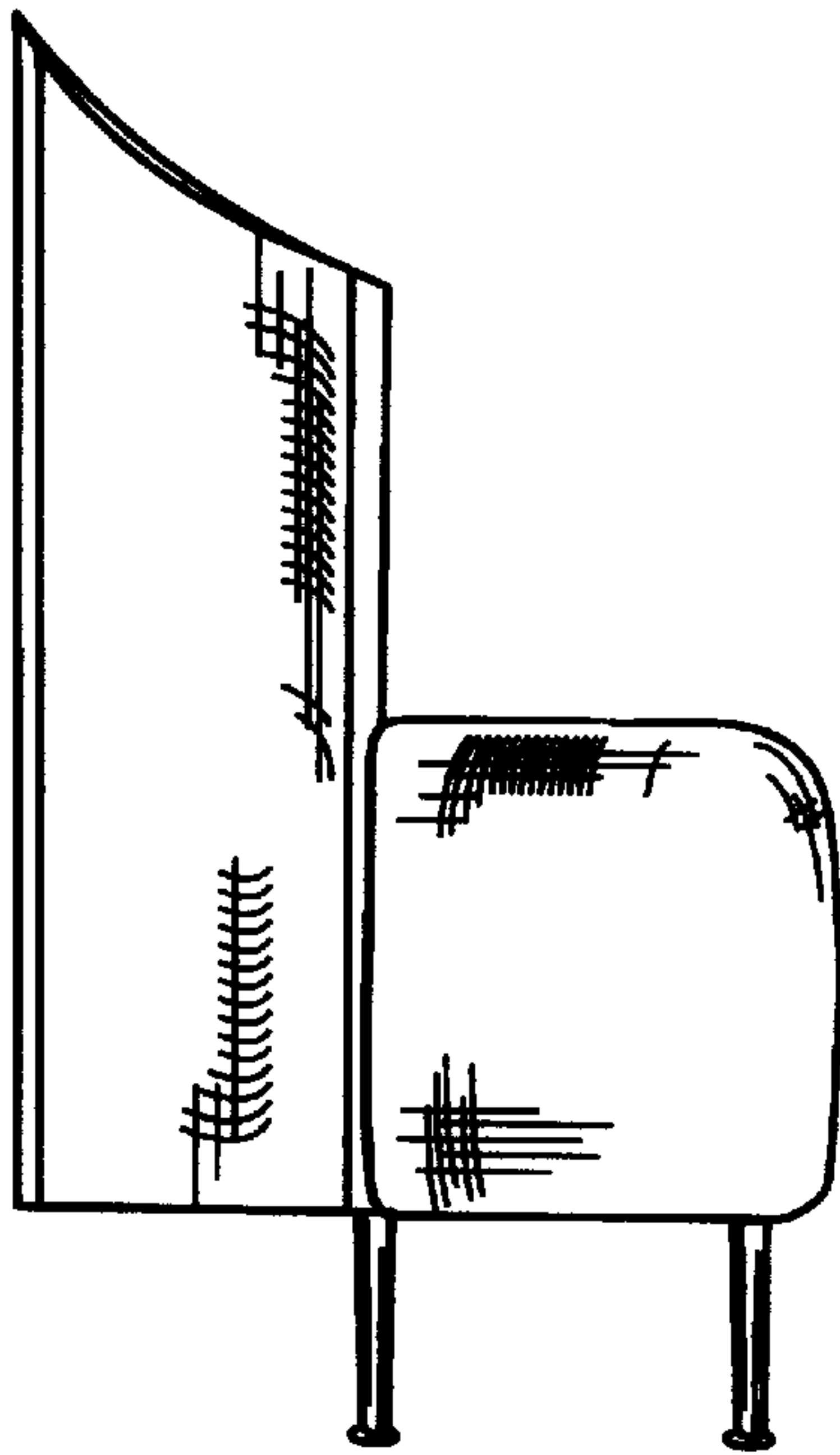


FIG. 4

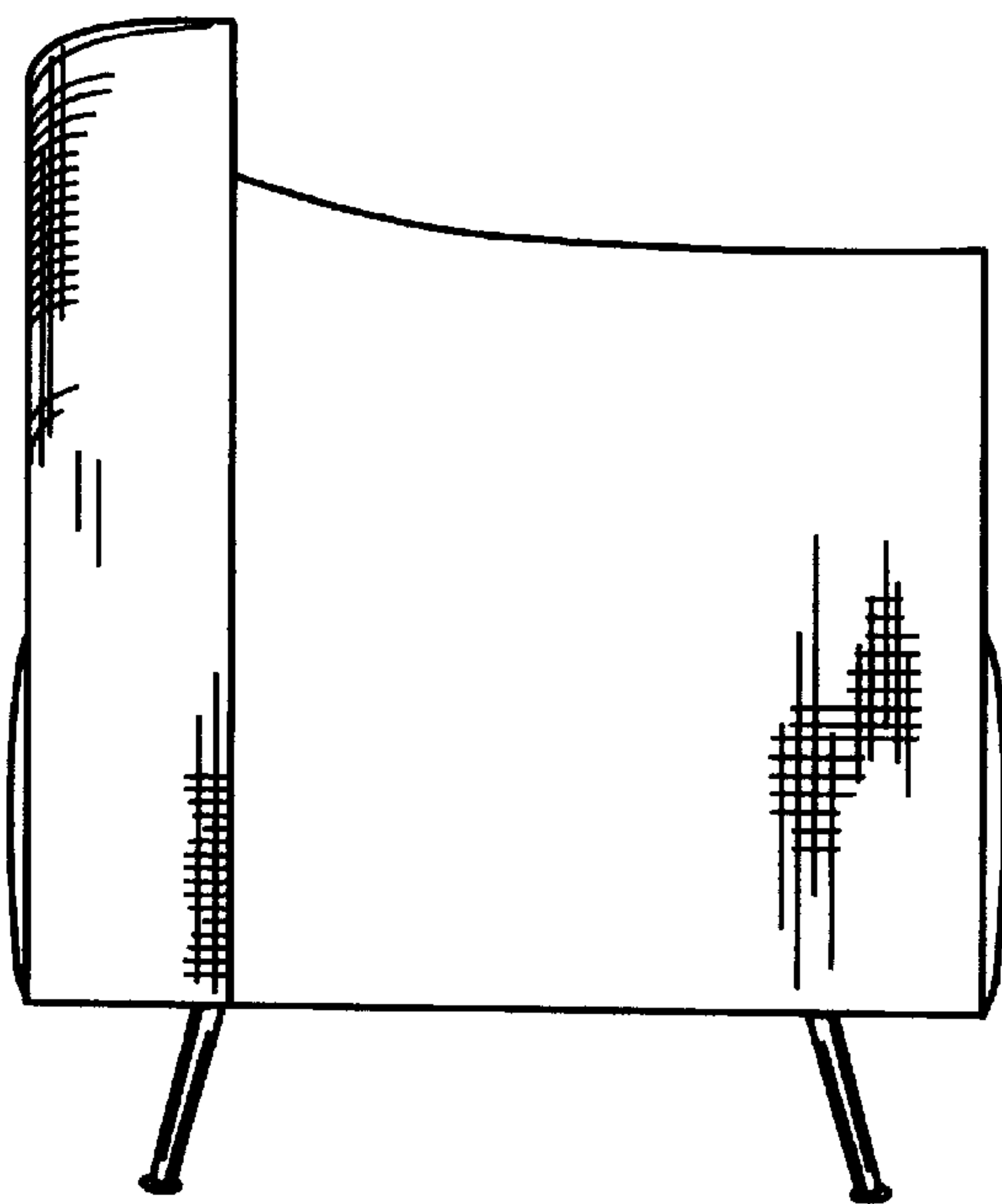
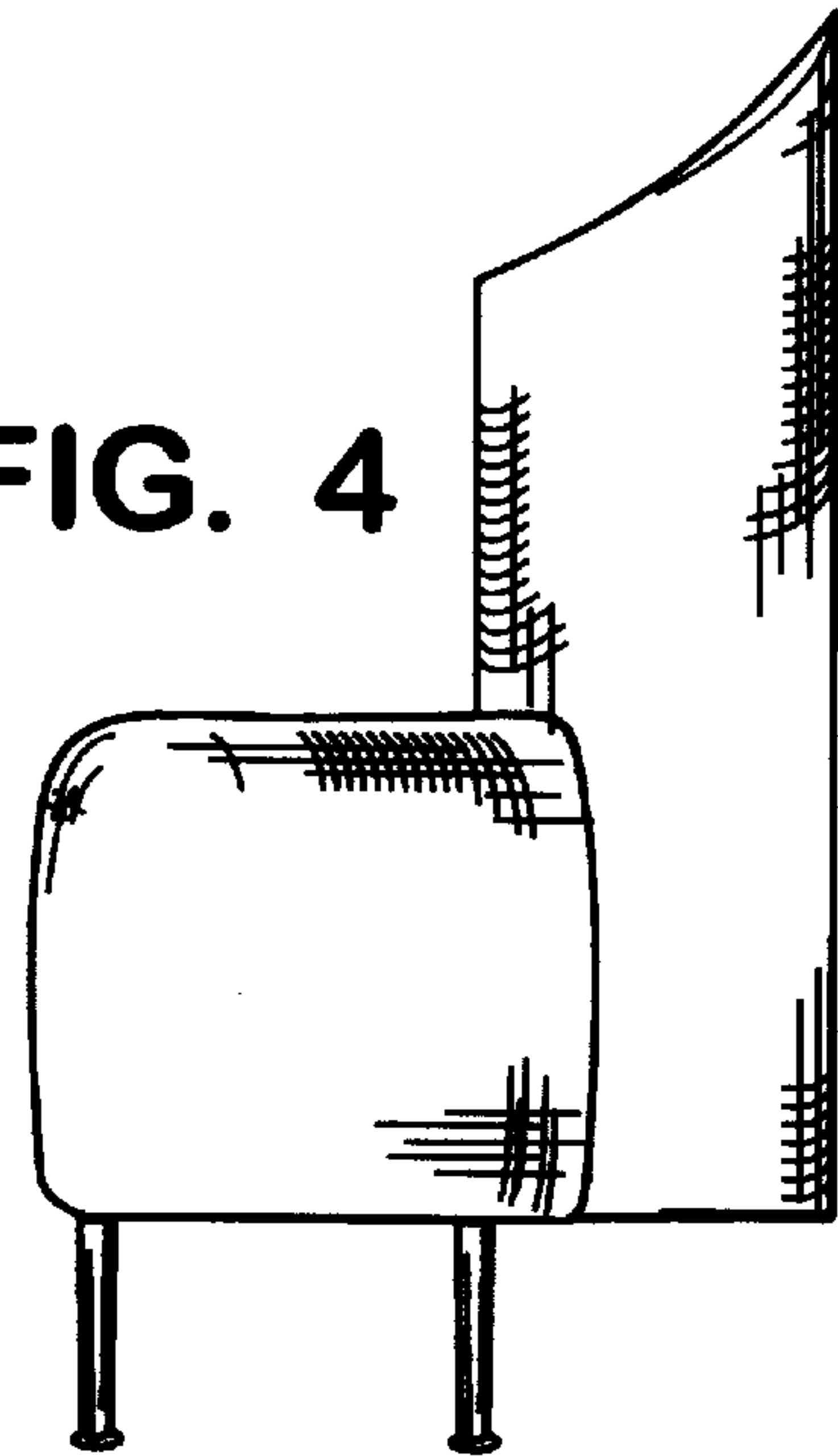


FIG. 6