



US00D472723S

(12) **United States Design Patent**
Haney et al.

(10) **Patent No.:** **US D472,723 S**
(45) **Date of Patent:** **** Apr. 8, 2003**

(54) **CHAIR FRAME**

(75) Inventors: **Thayne B. Haney**, Syracuse, UT (US);
Kent Ashby, Logan, UT (US); **Jacob**
Kearl, Plain City, UT (US)

(73) Assignee: **Lifetime Products, Inc.**, Clearfield, UT
(US)

(**) Term: **14 Years**

(21) Appl. No.: **29/164,380**

(22) Filed: **Jul. 23, 2002**

(51) **LOC (7) Cl.** **06-01**

(52) **U.S. Cl.** **D6/373**

(58) **Field of Search** D6/334, 371, 372,
D6/373, 374, 375, 380, 500, 501, 502;
297/448.1, 448.2

(56) **References Cited**

U.S. PATENT DOCUMENTS

1,960,022 A *	5/1934	Melder	D6/371 X
2,843,391 A	7/1958	Pelletier		
D202,775 S	11/1965	Rowland		
D224,824 S	9/1972	Buhk		
D224,952 S	10/1972	Wilson		
D225,195 S	11/1972	Lange		
3,944,280 A	3/1976	Keeler		
4,035,019 A	7/1977	Gabourie		
4,057,288 A	11/1977	Schwartz et al.		
D246,813 S	1/1978	Tolleson		
4,097,089 A *	6/1978	Petersen	D6/373 X
4,168,669 A	9/1979	Arnoff		
4,240,663 A	12/1980	Locher		
4,290,645 A	9/1981	Glickman et al.		
4,304,436 A	12/1981	Rowland		
4,305,617 A	12/1981	Benoit		
D264,405 S	5/1982	Adkinson		
4,341,419 A	7/1982	Sebel		
4,366,980 A	1/1983	Rowland		

D269,831 S	7/1983	Crone		
4,400,031 A	8/1983	DeDecker		
4,418,958 A	12/1983	Watkin		
D272,490 S *	2/1984	Ogg	D6/373
D272,587 S	2/1984	Pamberg		
D274,392 S	6/1984	Blodee		
4,456,296 A	6/1984	Rowland		
D275,244 S *	8/1984	Snodgrass	D6/373
4,522,444 A	6/1985	Pollock		
4,548,441 A	10/1985	Ogg		
4,655,504 A	4/1987	Weber		
D290,070 S	6/1987	Lange		

(List continued on next page.)

OTHER PUBLICATIONS

National Business Furniture, p. 119, Chair #44051 at bottom right.*

Lowenstain Catalist 14, Jun. 1, 1985.

Primary Examiner—Gary D. Watson

(74) *Attorney, Agent, or Firm*—Workman, Nydegger & Seeley

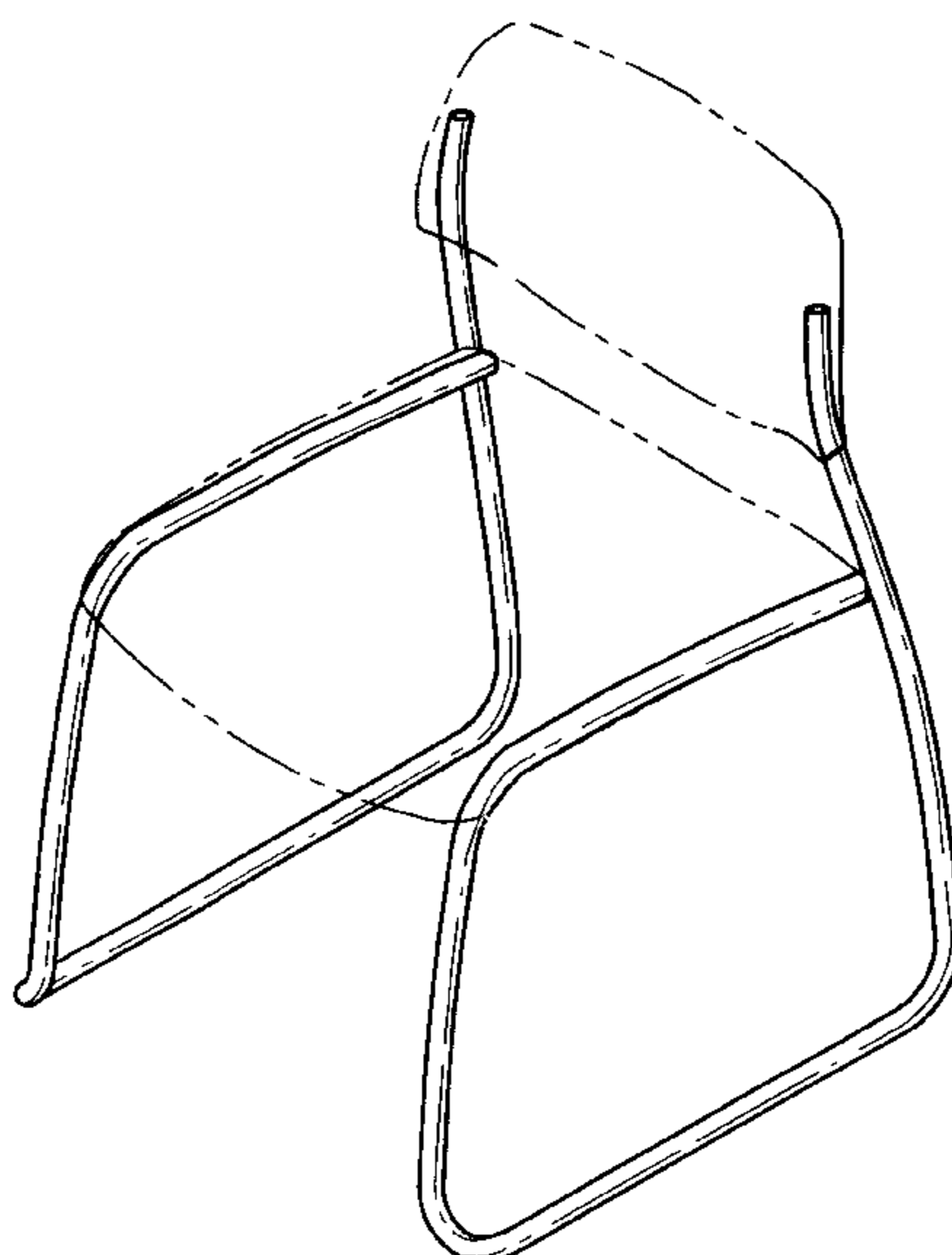
(57) **CLAIM**

The ornamental design for a chair frame, as shown and described.

DESCRIPTION

FIG. 1 is a perspective view of a chair frame in accordance with a preferred embodiment of the present invention; FIG. 2 is a front view of the chair frame shown in FIG. 1; FIG. 3 is a back view of the chair frame shown in FIG. 1; FIG. 4 is a left side view of the chair frame shown in FIG. 1, with the right side being a mirror image thereof; FIG. 5 is a top view of the chair frame shown in FIG. 1; and, FIG. 6 is a bottom view of the chair frame shown in FIG. 1. The broken lines shown in the drawings are for illustrative purposes only and form no part of the claimed design.

1 Claim, 3 Drawing Sheets



US D472,723 S

Page 2

U.S. PATENT DOCUMENTS

4,674,795 A	6/1987	Nelson		D397,880 S	9/1998	Saul
4,676,552 A	6/1987	Hiller		5,803,540 A	9/1998	Schwartz
D295,588 S	5/1988	Heitlinger et al.		5,813,722 A	9/1998	Smith
4,749,232 A	6/1988	Guichon		D400,023 S	10/1998	Olson
D298,492 S	11/1988	Ochsner		5,845,970 A	12/1998	Schwartz
4,807,929 A	2/1989	Balsbaugh		5,860,697 A	1/1999	Fewchuk
D300,885 S	5/1989	Ochsner		5,863,096 A	1/1999	Bartlmae
4,913,496 A	4/1990	Oke		D405,285 S	2/1999	Balderi et al.
4,978,168 A	12/1990	Piretti		D405,286 S	2/1999	James et al.
5,002,337 A	3/1991	Engel et al.		D406,196 S	3/1999	Lyons
D318,959 S	* 8/1991	Fink	D6/373	D409,405 S	5/1999	Schultz et al.
5,050,933 A	9/1991	Tornero et al.		D409,408 S	5/1999	James et al.
5,064,247 A	11/1991	Clark et al.		D410,802 S	6/1999	Olson
D323,079 S	1/1992	Hubert		D411,694 S	6/1999	Bartlmae
D323,750 S	2/1992	Piretti		D411,777 S	7/1999	Schultz et al.
5,088,792 A	2/1992	Guichon		D412,409 S	8/1999	Van Rhienen
5,110,186 A	5/1992	Clark et al.		D413,450 S	9/1999	Van Rhienen
5,123,702 A	6/1992	Caruso		D413,453 S	9/1999	Van Rhienen
D328,984 S	9/1992	Marini		D414,052 S	9/1999	Van Rhienen
5,154,474 A	10/1992	Desanta		RE36,335 E	10/1999	Perry
D333,733 S	3/1993	Sammons		D414,618 S	* 10/1999	Holbrook
5,201,108 A	4/1993	Clark et al.		D415,626 S	10/1999	Van Rhienen
D338,785 S	8/1993	Lange		D416,700 S	11/1999	Van Rhienen
D340,812 S	11/1993	Estomin et al.		D417,968 S	12/1999	Van Rhienen
D344,418 S	* 2/1994	Favaretto	D6/373	D417,970 S	12/1999	Duffy et al.
5,308,146 A	5/1994	Chou		5,997,084 A	12/1999	Barile, Jr. et al.
5,383,712 A	1/1995	Perry		5,997,094 A	12/1999	Cvek
D360,769 S	8/1995	Groulx et al.		D418,319 S	1/2000	Van Rhienen
D362,558 S	9/1995	Reinhard		D418,323 S	1/2000	Van Rhienen
D367,185 S	2/1996	Olson		D419,321 S	1/2000	Rhienen
5,524,963 A	6/1996	Barile		D419,325 S	1/2000	Van Rhienen
D372,596 S	8/1996	Reinhard		D420,522 S	2/2000	Rhienen
D374,129 S	10/1996	Timmons		D422,805 S	4/2000	Smith
D376,485 S	12/1996	Cretcher		D423,805 S	5/2000	Olson
D376,702 S	12/1996	Cretcher		D423,807 S	5/2000	Bartlmae
5,599,068 A	2/1997	Kelley et al.		D429,423 S	8/2000	Van Rhienen
D378,553 S	* 3/1997	Newhouse	D6/373	D429,911 S	8/2000	Bartlmae
5,626,394 A	5/1997	Perry		6,106,061 A	8/2000	Caruso et al.
5,632,524 A	5/1997	Ikeda et al.		D430,415 S	9/2000	Scultz
D382,415 S	8/1997	Leib		D432,326 S	10/2000	Duffy et al.
D389,329 S	1/1998	Krause et al.		D433,576 S	11/2000	Hutton
D390,024 S	2/1998	DeJule		D433,578 S	11/2000	Saul
D391,412 S	3/1998	James et al.		D433,836 S	11/2000	Barile, Sr.
D393,757 S	4/1998	Breen		D435,176 S	* 12/2000	Turner et al.
5,738,408 A	4/1998	Wu		6,174,029 B1	1/2001	Swy
D393,955 S	* 5/1998	Piretti	D6/373	D466,712 S	* 12/2002	Haney et al.
5,762,396 A	6/1998	Barile				

* cited by examiner

FIG. 1

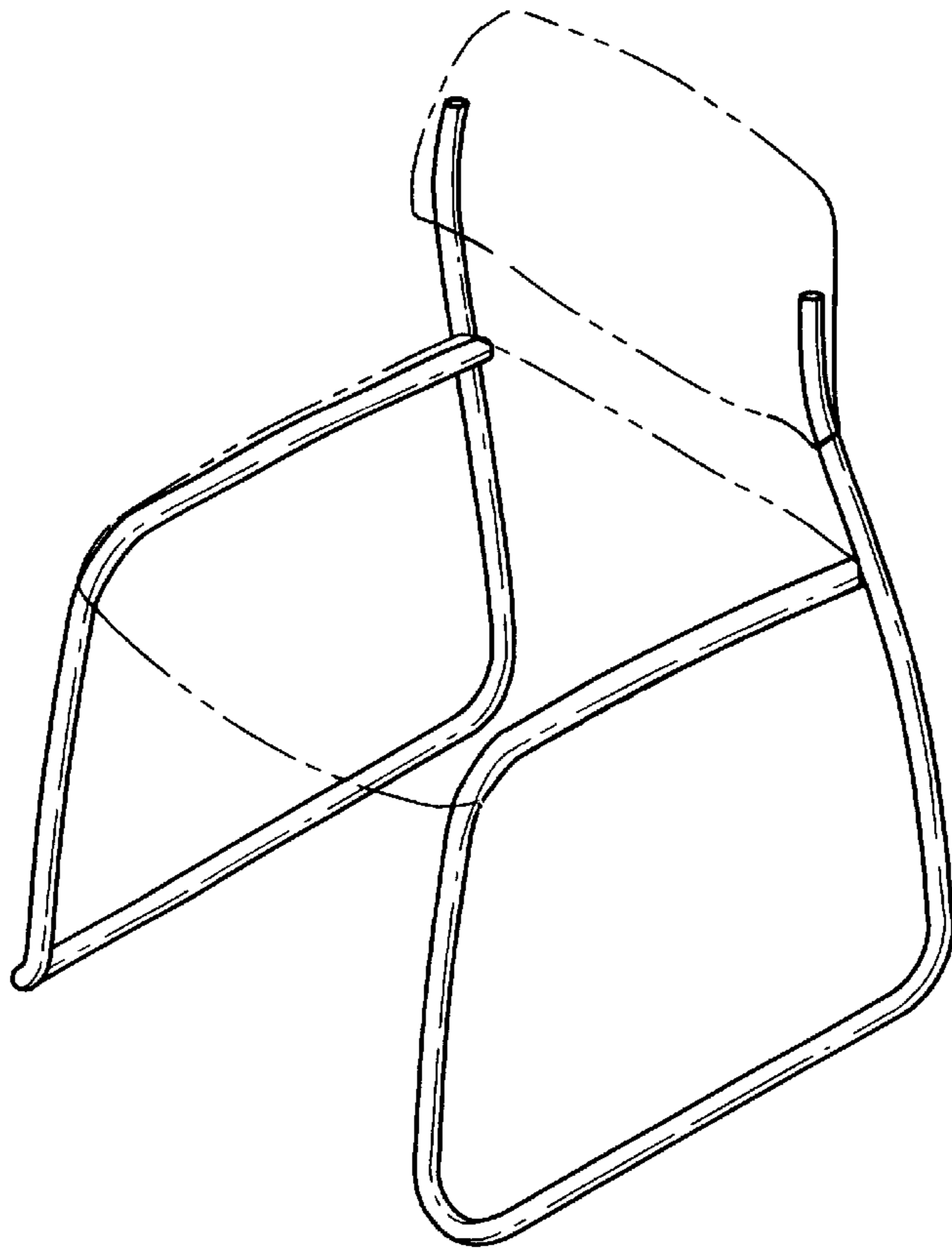
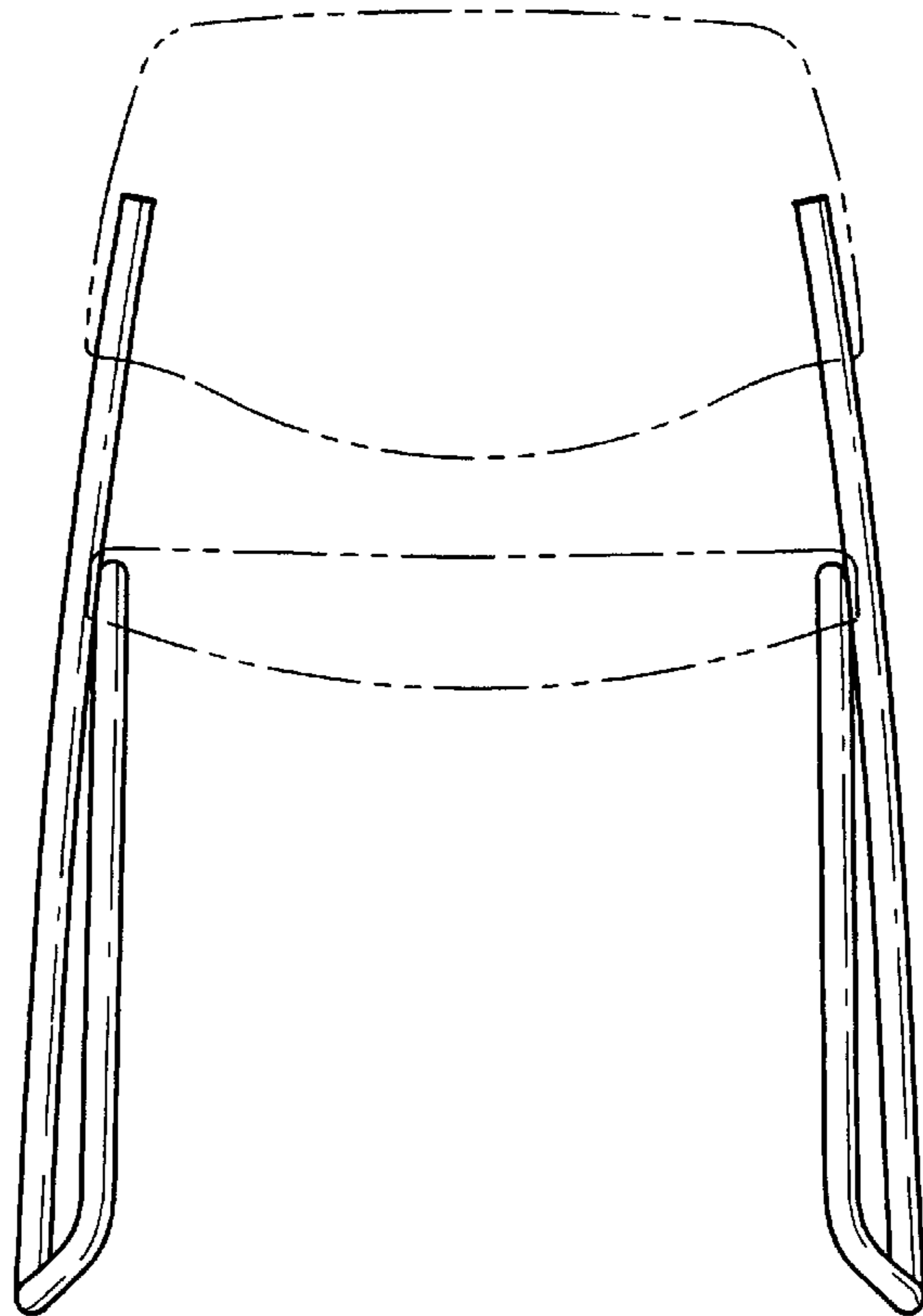


FIG. 2



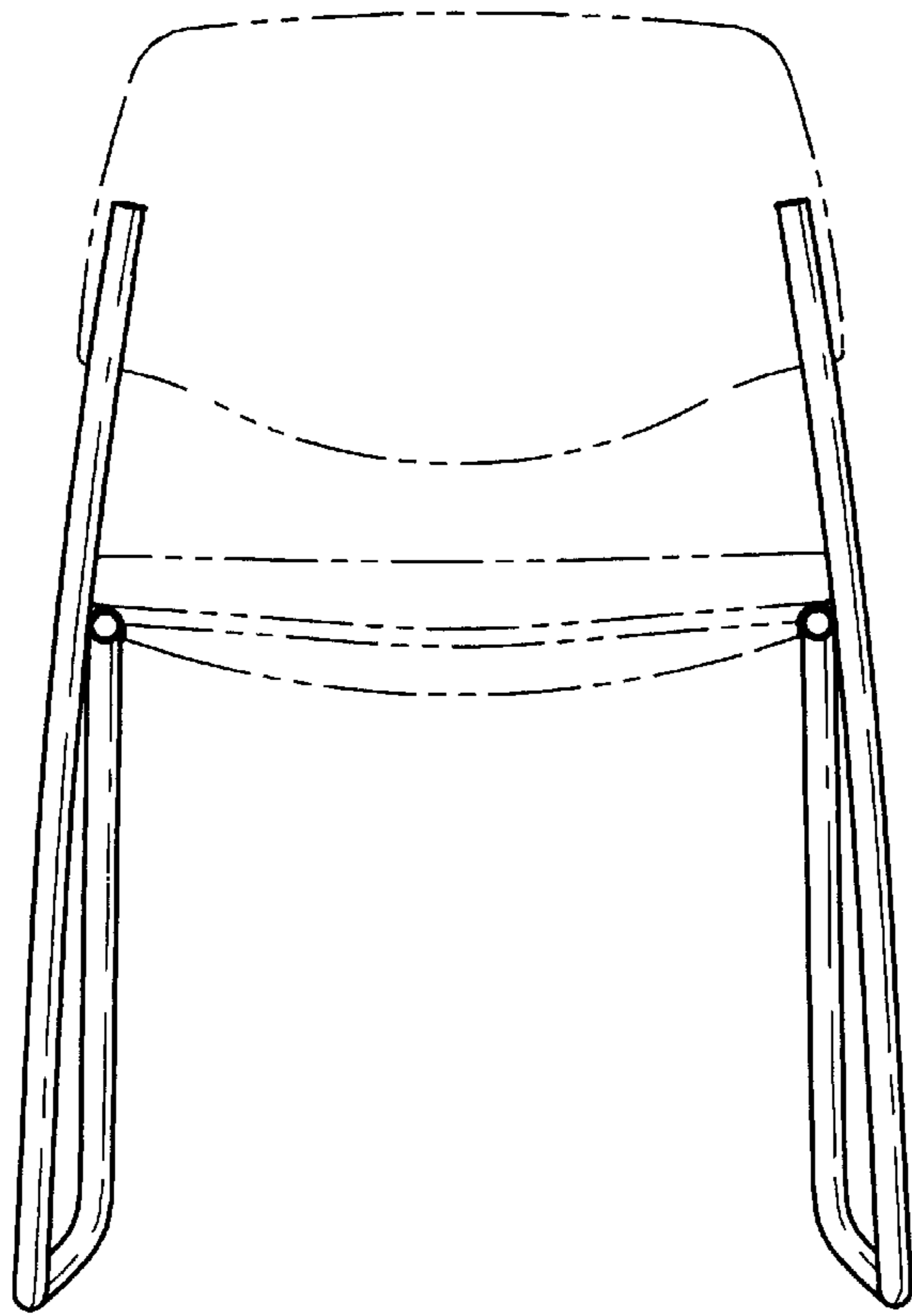


FIG. 3

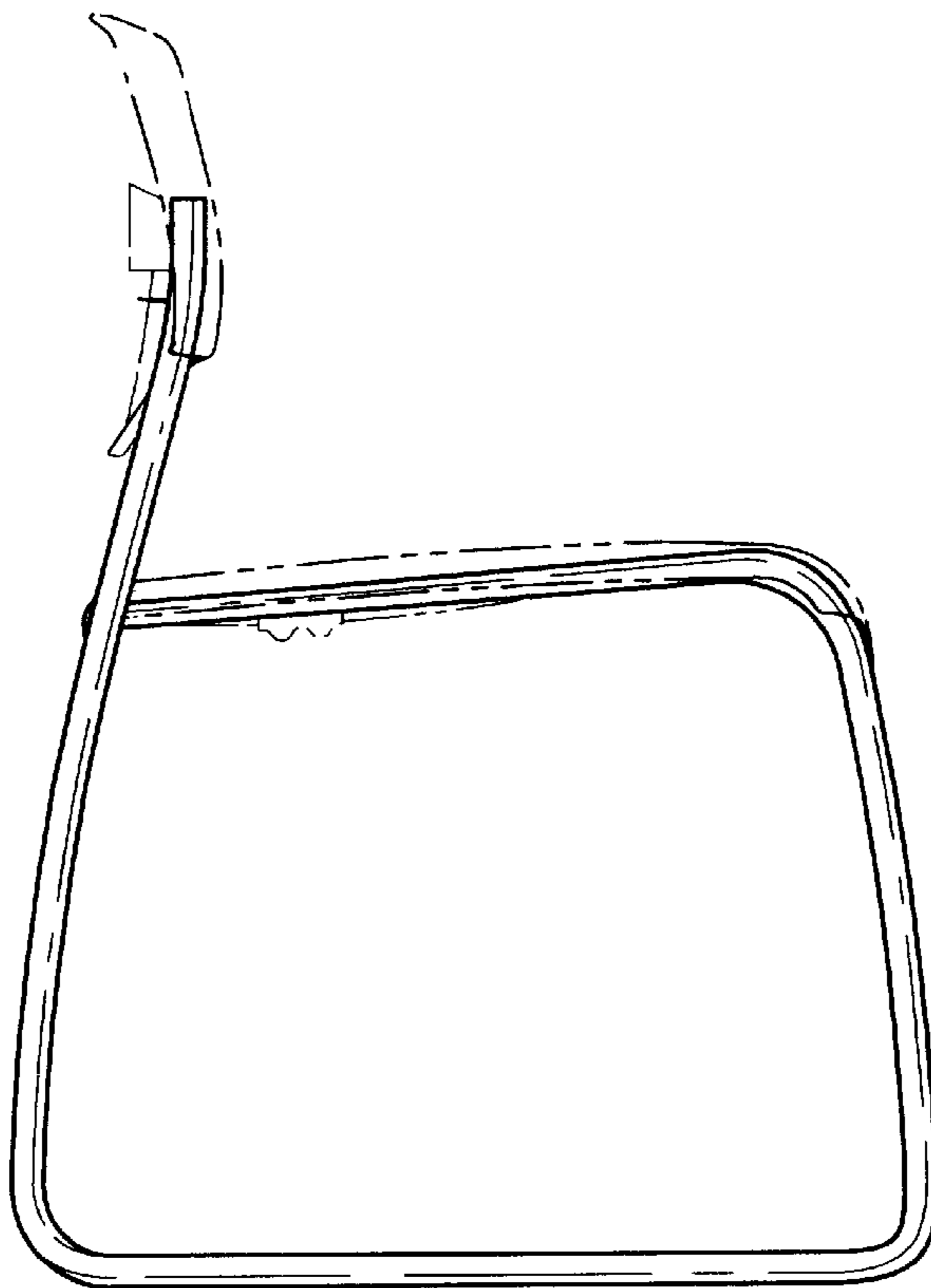


FIG. 4

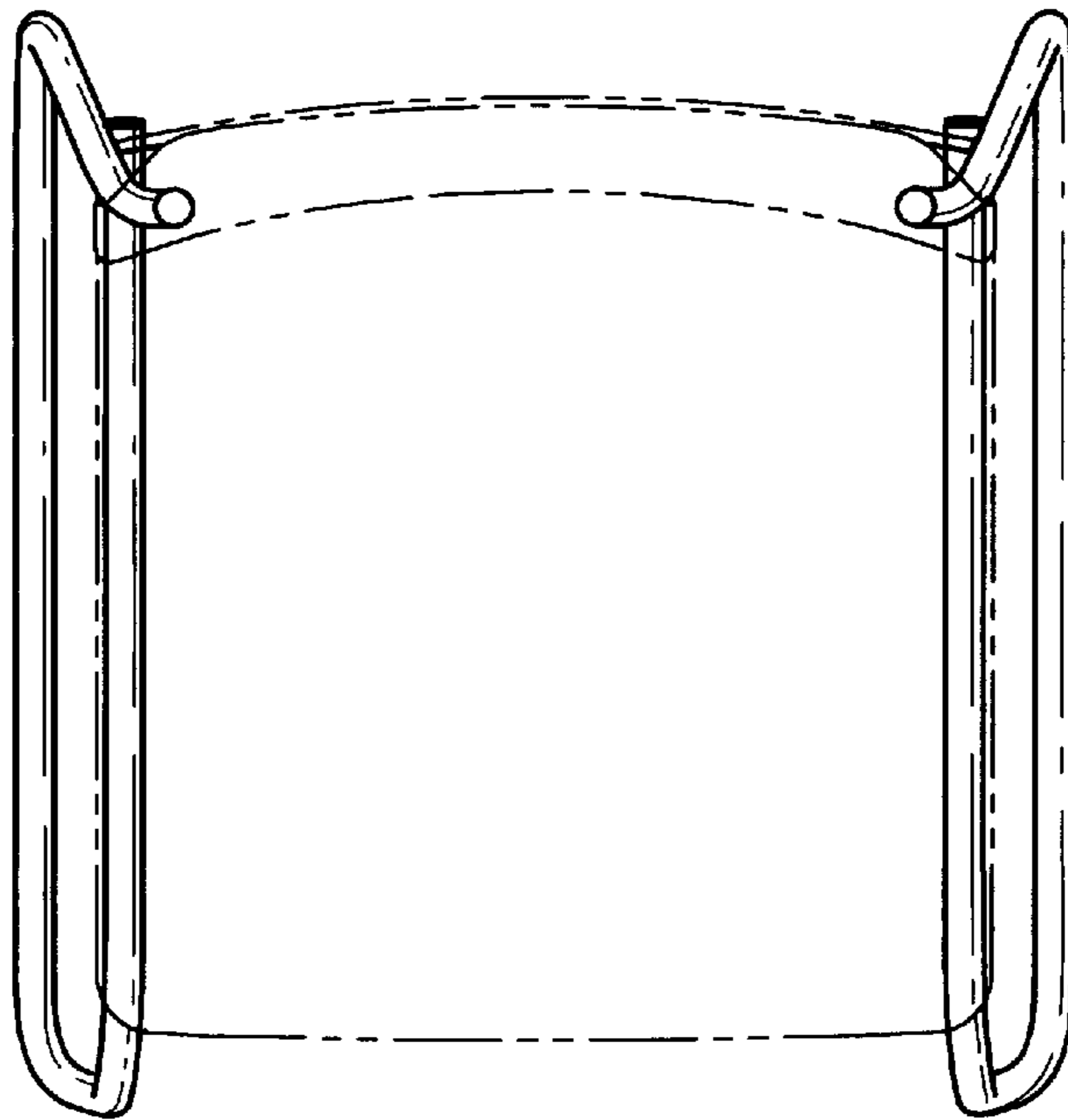


FIG. 5

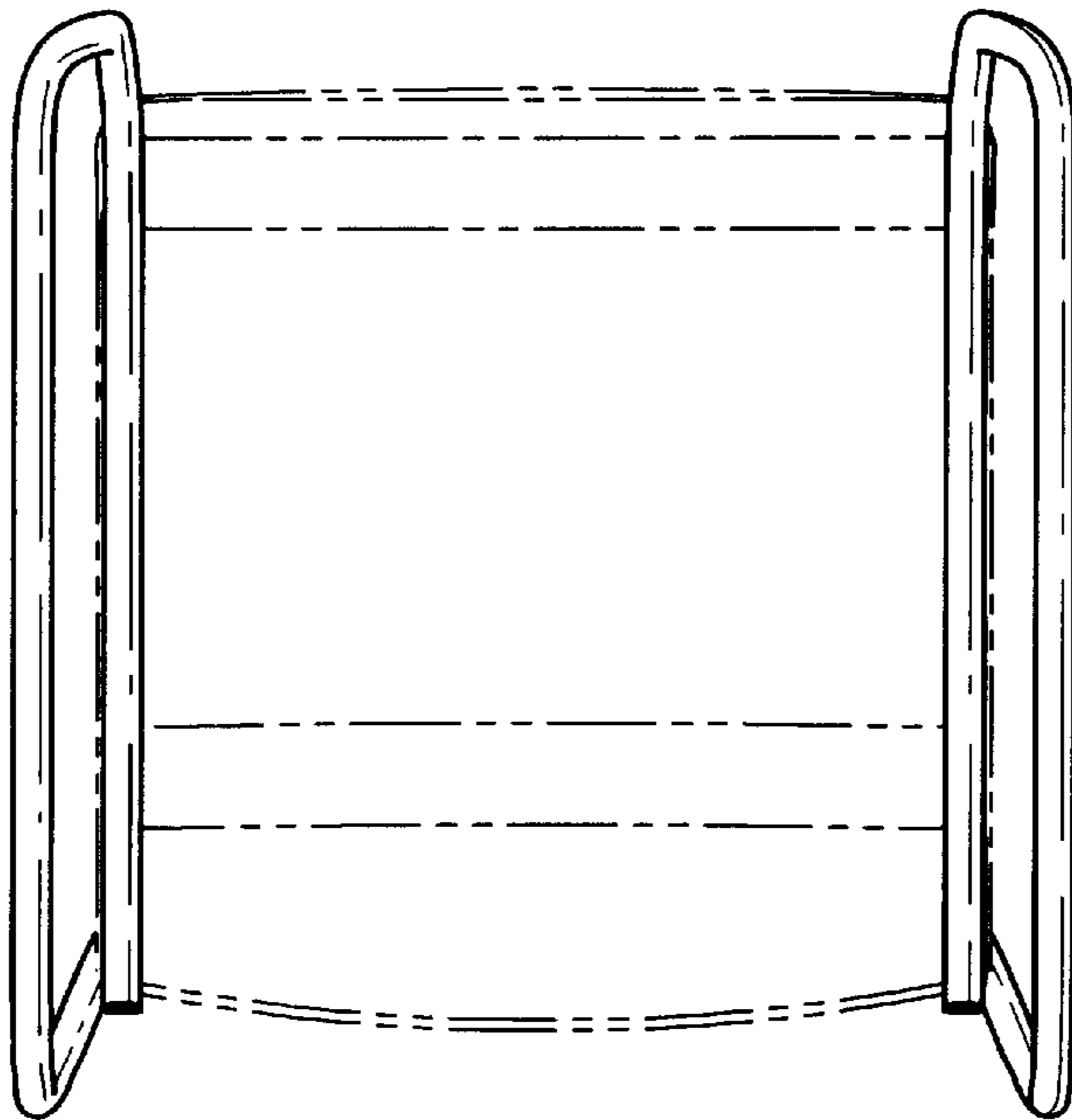


FIG. 6