



US00D472715S

(12) **United States Design Patent**
Cheung

(10) **Patent No.:** **US D472,715 S**

(45) **Date of Patent:** **** *Apr. 8, 2003**

(54) **HAIR BRUSH**

(76) **Inventor:** **Maggie Cheung**, Block A1, 3/F, Tsing Yi Industrial Centre, Phase 1, Tsing Yi N.T. (HK)

(*) **Notice:** This patent is subject to a terminal disclaimer.

(**) **Term:** **14 Years**

(21) **Appl. No.:** **29/138,113**

(22) **Filed:** **Mar. 6, 2001**

(51) **LOC (7) Cl.** **04-02**

(52) **U.S. Cl.** **D4/128**

(58) **Field of Search** D4/127, 128, 132-134, D4/136, 138; D28/18, 35; 15/27, 143.1, 159.1, 160, 186, 187, 23; 16/110.1, 430; 132/120, 271, 313

(56) **References Cited**

U.S. PATENT DOCUMENTS

RE25,898 E * 11/1965 Taylor et al. 15/23

4,196,489 A * 4/1980 Hahn 15/159.1
4,250,902 A * 2/1981 Ihara 132/271
D366,761 S * 2/1996 Gertsma et al. D4/128
5,979,463 A * 11/1999 Santy, III et al. 132/120
D430,348 S * 8/2000 Moreno D28/18

FOREIGN PATENT DOCUMENTS

JP 7-322918 * 12/1995 A46B/7/04

* cited by examiner

Primary Examiner—Alan P. Douglas

Assistant Examiner—Lavone D. Tabor

(74) *Attorney, Agent, or Firm*—James E. Brunton

(57) **CLAIM**

The ornamental design for “hair brush”, as shown.

DESCRIPTION

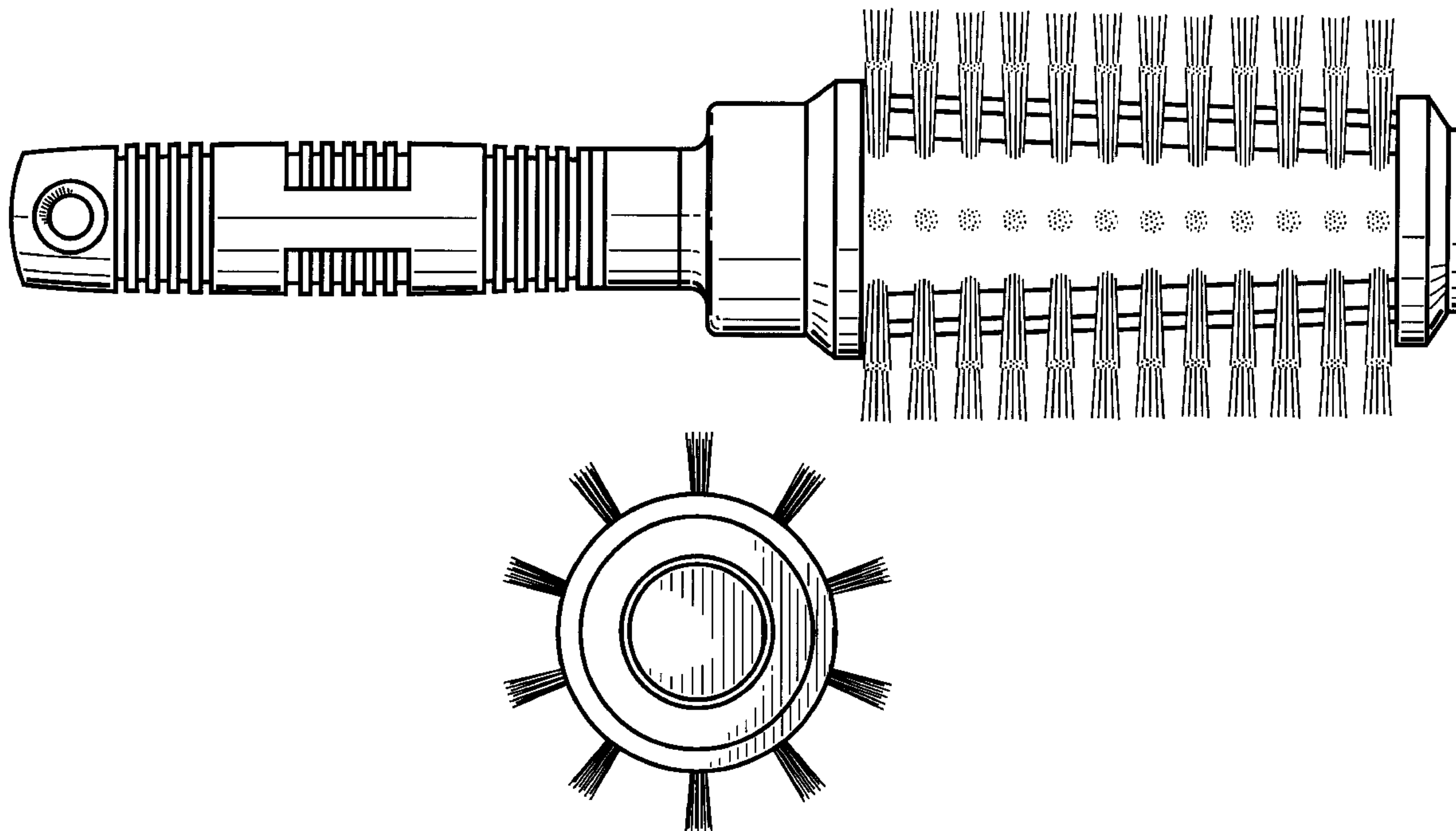
FIG. 1 is a front view of a hair brush showing my new design;

FIG. 2 is a rear view thereof;

FIG. 3 is a left end view thereof; and,

FIG. 4 is a right end view thereof.

1 Claim, 2 Drawing Sheets



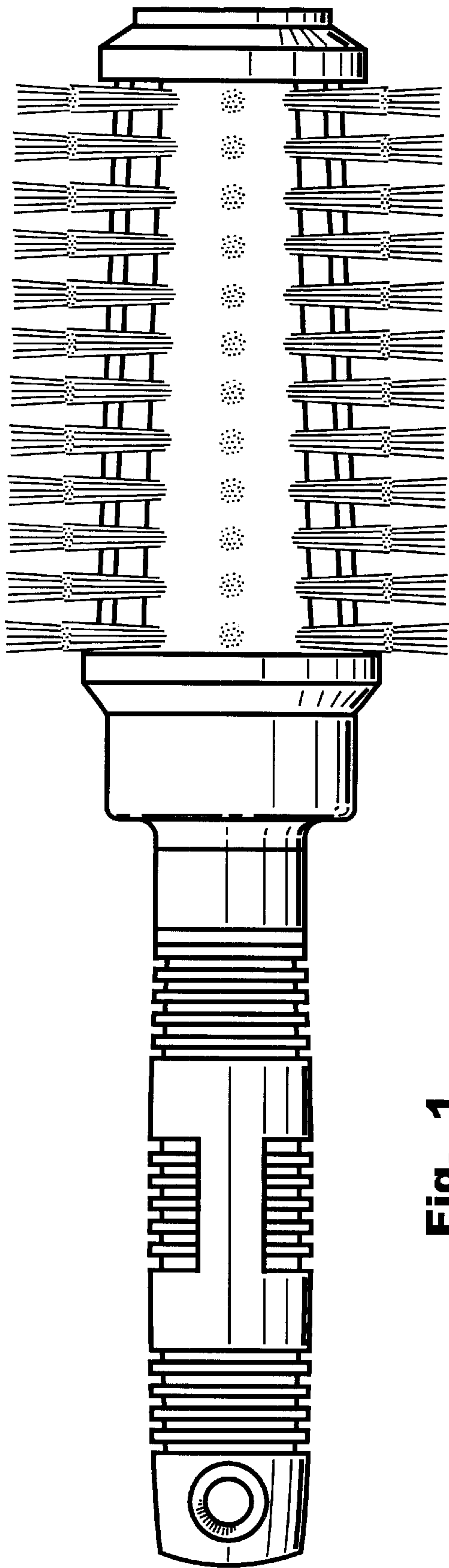


Fig. 1

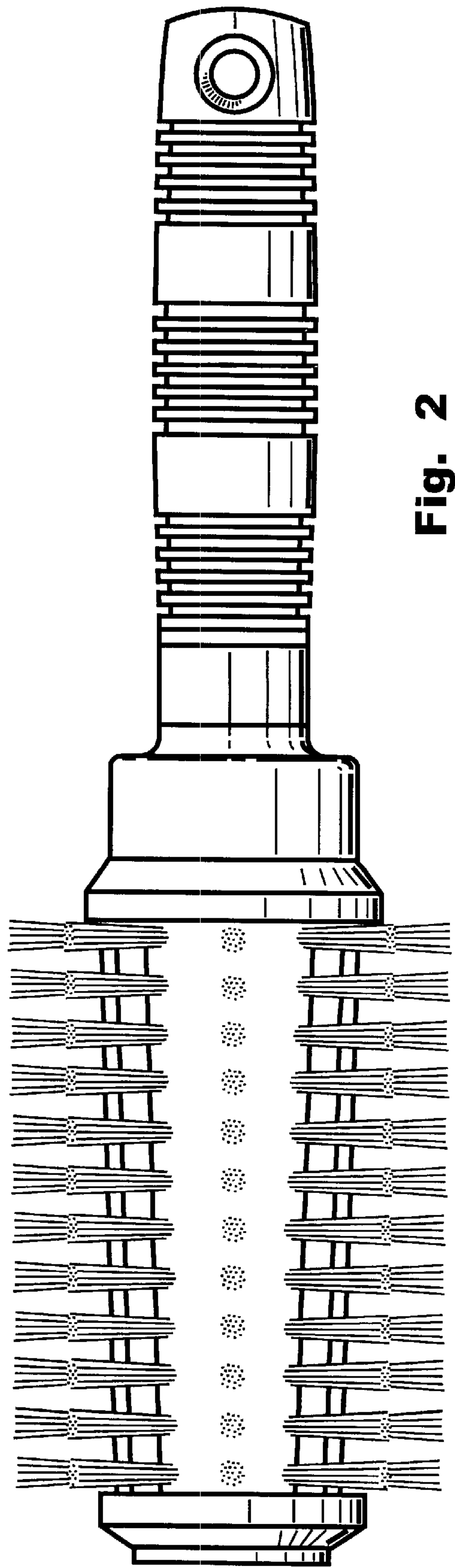


Fig. 2

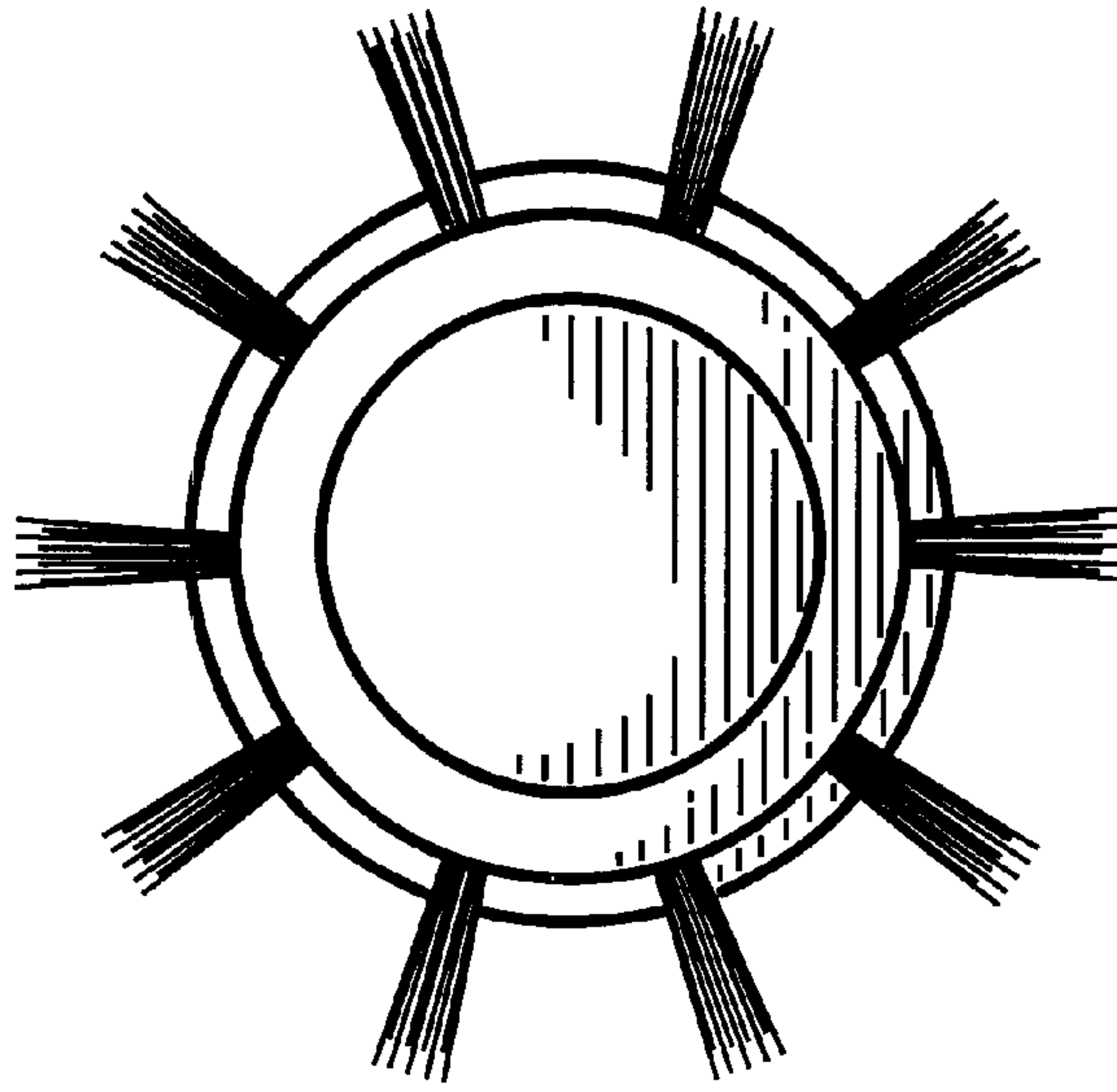


Fig. 3

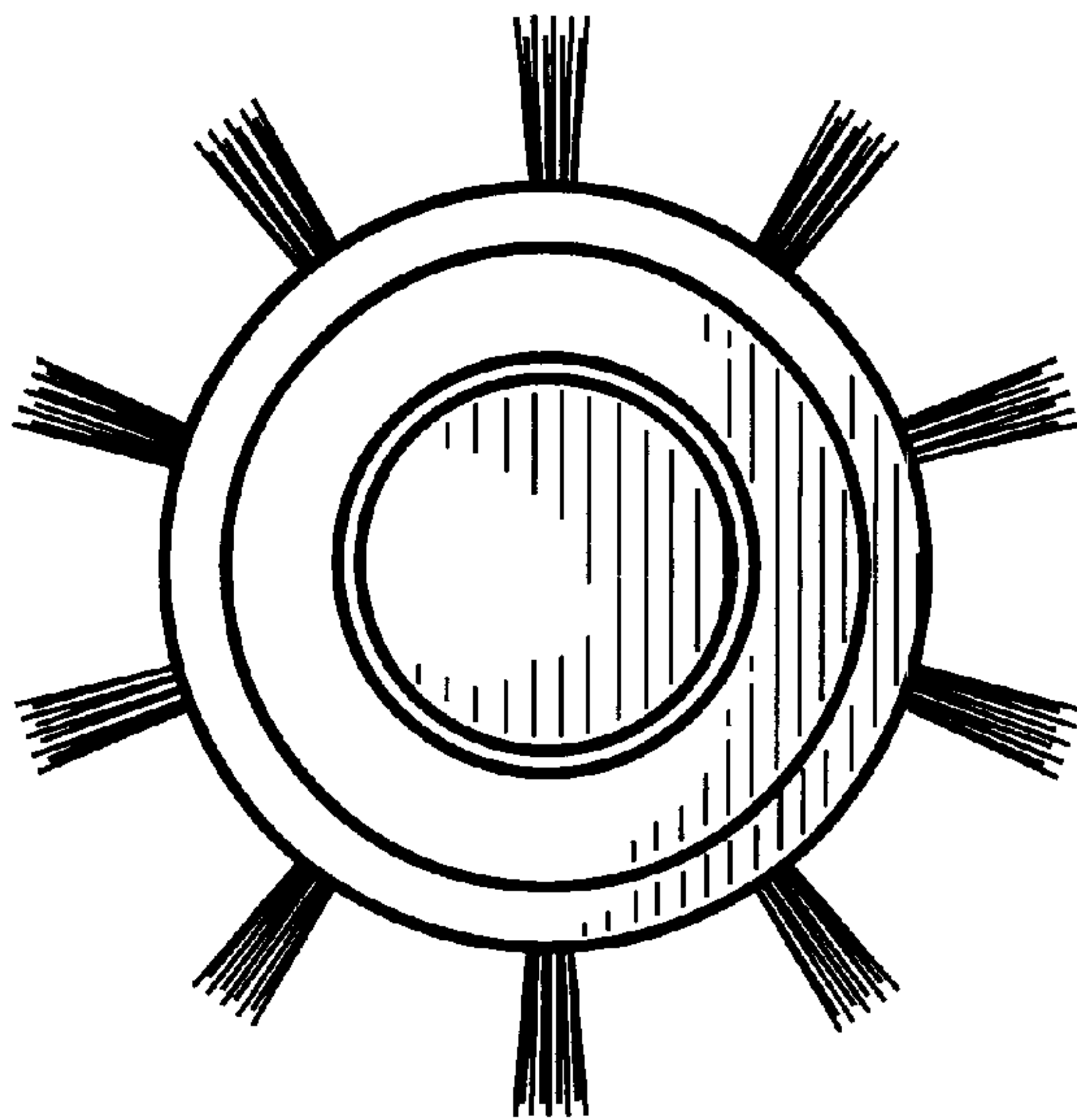


Fig. 4