



US00D472714S

(12) **United States Design Patent**
Hersh et al.

(10) **Patent No.: US D472,714 S**

(45) **Date of Patent: ** *Apr. 8, 2003**

(54) **EXTERIOR COMPARTMENT OF A
HANDBAG FOR AN ARTICLE SUCH AS A
MOBILE PHONE, EYEGLASSES OR THE
LIKE**

D371,457 S 7/1996 Jacobs D3/231
D405,266 S 2/1999 Chisholm D3/303
D411,659 S 6/1999 Karton D3/226
D442,782 S * 5/2000 Hersh et al. D3/319

(75) Inventors: **Ahron Hersh**, Brooklyn, NY (US); **Chi Yueh Chen**, Taipei (TW)

* cited by examiner

(73) Assignee: **Rossetti Handbags and Accessories Ltd.**, New York, NY (US)

Primary Examiner—Louis S. Zarfes

Assistant Examiner—Robert A. Delehanty

(74) *Attorney, Agent, or Firm*—Abelman, Frayne & Schwab

(*) Notice: This patent is subject to a terminal disclaimer.

(57) **CLAIM**

(**) Term: **14 Years**

The ornamental design for an exterior compartment of a handbag for an article such as a mobile phone, eyeglasses or the like, as shown and described.

(21) Appl. No.: **29/137,210**

(22) Filed: **Feb. 15, 2001**

DESCRIPTION

Related U.S. Application Data

(63) Continuation of application No. 29/102,260, filed on Mar. 19, 1999, now Pat. No. Des. 442,782.

(51) **LOC (7) Cl.** **03-99**

(52) **U.S. Cl.** **D3/324**

(58) **Field of Search** D3/230–234, 279,
D3/243, 300, 303, 318–319, 321, 324, 328,
284, 283, 228; 150/100, 107, 109–112,
119, 152; 190/109–112; 383/907; 224/654–655,
657–658, 236, 901.6

FIG. 1 is a top front and left side perspective view of an exterior compartment of a handbag for an article such as a mobile phone, eyeglasses or the like, showing a handbag in dotted lines for environmental purposes only, the compartment being in an open condition for illustrative purposes only and positioned on a side panel of the handbag;

FIG. 2 is a top plan view of the compartment shown in FIG. 1 in the closed condition, with a portion of the handbag shown in dotted lines for environmental purposes only;

FIG. 3 is a front view thereof;

FIG. 4 is a left side view thereof, the right side being a mirror image;

FIG. 5 is a bottom plan view thereof;

FIG. 6 is a top front and right side perspective view of an alternative embodiment of the invention, with the compartment shown in an open condition and positioned on a side panel of a handbag, the handbag shown in dotted lines for environmental purposes only;

FIG. 7 is a top plan view of the compartment shown in FIG. 6 in the closed condition, with a portion of the handbag shown in dotted lines for environmental purposes only;

FIG. 8 is a front view thereof;

FIG. 9 is a left side view thereof, the right side being a mirror image;

FIG. 10 is a bottom plan view thereof;

(56) **References Cited**

U.S. PATENT DOCUMENTS

2,562,499 A 7/1951 Lifton 190/111
D240,090 S 5/1976 Siegel D3/243
D291,844 S 9/1987 Gerver et al. D3/284
D293,506 S 1/1988 Kappel et al. D3/283 X
D307,827 S 5/1990 Kim D3/279
D307,828 S 5/1990 Kim D3/279
D308,135 S 5/1990 Kim D3/279
D312,350 S 11/1990 Diaz D3/230
D332,696 S 1/1993 Kendrick D3/243
D340,131 S 10/1993 Cassidy, IV D3/284 X
D361,658 S 8/1995 Martin D3/228

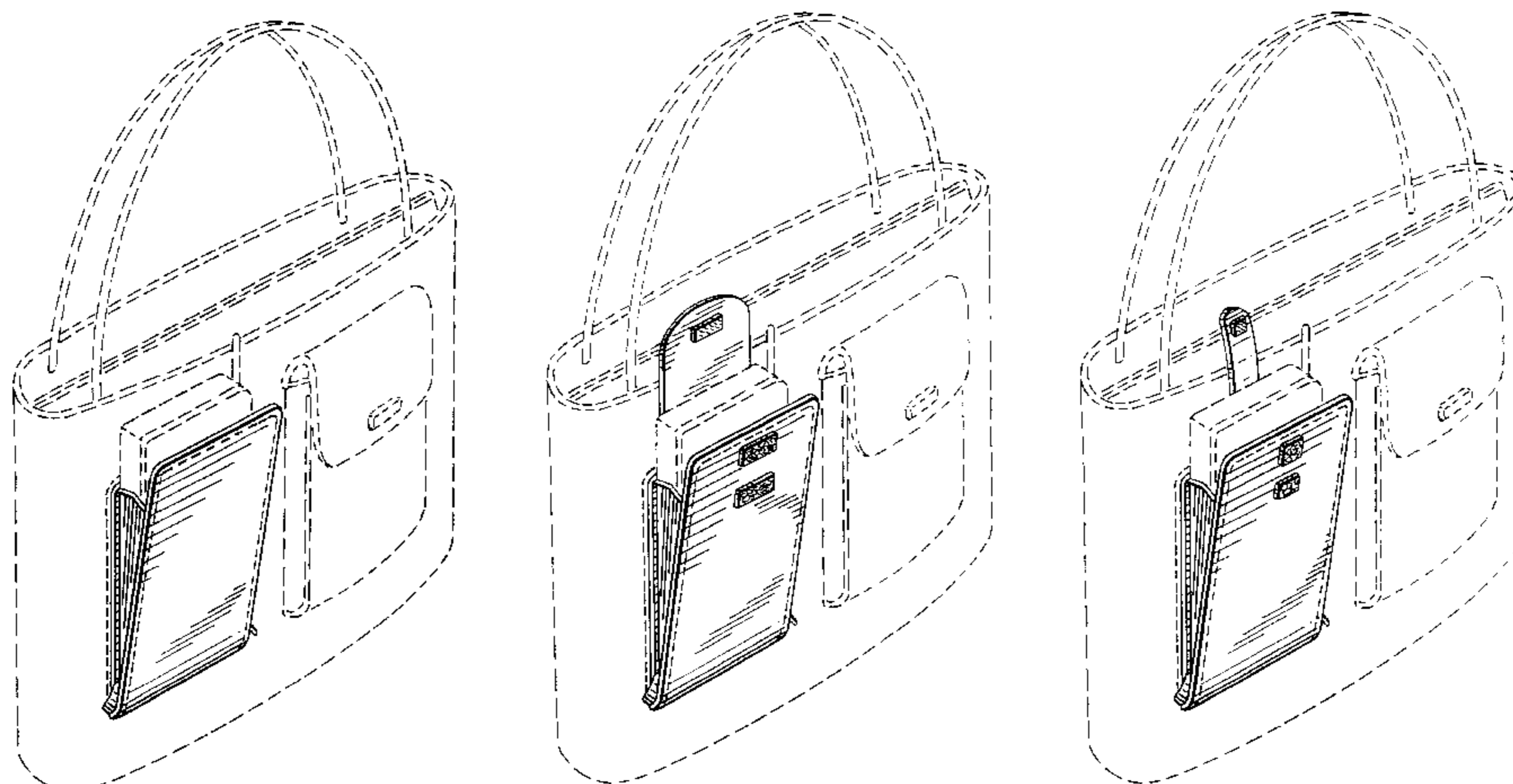


FIG. 11 is a top front and right side perspective view of still another alternative embodiment of the invention, with the compartment shown in an open condition and positioned on a side panel of a handbag, the handbag shown in dotted lines for environmental purposes only;

FIG. 12 is a top plan view of the compartment shown in FIG. 11 in the closed condition, with a portion of the handbag shown in dotted lines for environmental purposes only;

FIG. 13 is a front elevational view thereof;

FIG. 14 is a left side view thereof, the right side being a mirror image;

FIG. 15 is a bottom plan view thereof;

FIG. 16 is a top front and right side perspective view of still another alternative embodiment of the invention, with the compartment shown in an open condition and positioned on a side panel of a handbag, the handbag shown in dotted lines for environmental purposes only;

FIG. 17 is a top plan view of the compartment shown in FIG. 16 in the closed condition, with a portion of the handbag shown in dotted lines for environmental purposes only;

FIG. 18 is a front elevational view thereof;

FIG. 19 is a left side view thereof, the right side being a mirror image;

FIG. 20 is a bottom plan view thereof;

FIG. 21 is a top front and left side perspective view of still another alternative embodiment of the invention, with the compartment shown in an open condition and positioned on a side panel of a handbag, a portion of the handbag shown in dotted lines for environmental purposes only;

FIG. 22 is a top plan view of the compartment shown in FIG. 21 in the closed condition, with a portion of the handbag shown in dotted lines for environmental purposes only;

FIG. 23 is a front elevational view thereof;

FIG. 24 is a left side view thereof, the right side being a mirror image;

FIG. 25 is a bottom plan view thereof;

FIG. 26 is a top front and left side perspective view of still another alternative embodiment of the invention, with the compartment shown in an open condition and positioned on a side panel of a handbag, a portion of the handbag shown in dotted lines for environmental purposes only;

FIG. 27 is a top plan view of the compartment shown in FIG. 26 in the closed condition, with a portion of the handbag shown in dotted lines for environmental purposes only;

FIG. 28 is a front elevational view thereof;

FIG. 29 is a left side view thereof, the right side being a mirror image;

FIG. 30 is a bottom plan view thereof;

FIG. 31 is a top front and left side perspective view of still another alternative embodiment of the invention, with the compartment shown in an open condition and positioned on a side panel of a handbag, a portion of the handbag shown in dotted lines for environmental purposes only;

FIG. 32 is a front elevational view of the compartment shown in FIG. 31 in the closed condition, with a portion of the handbag shown in dotted lines for environmental purposes only;

FIG. 33 is a top plan view thereof;

FIG. 34 is a left side view thereof, the right side being a mirror image;

FIG. 35 is a bottom plan view thereof;

FIG. 36 is a top front and right side perspective view of still another alternative embodiment of the invention, with the compartment shown in an open condition and positioned on a side panel of a handbag, a portion of the handbag shown in dotted lines for environmental purposes only;

FIG. 37 is a front elevational view of the compartment shown in FIG. 36 in the closed condition, with a portion of the handbag shown in dotted lines for environmental purposes only;

FIG. 38 is a top plan view thereof;

FIG. 39 is a left side view thereof, the right side being a mirror image;

FIG. 40 is a bottom plan view thereof;

FIG. 41 is a top front and right side perspective view of still another alternative embodiment of the invention, with the compartment shown in an open condition and positioned on a side panel of a handbag, a portion of the handbag shown in dotted lines for environmental purposes only;

FIG. 42 is a front elevational view of the compartment shown in FIG. 41 in the closed condition, with a portion of the handbag shown in dotted lines for environmental purposes only;

FIG. 43 is a top plan view of the compartment shown in FIG. 42 in the closed condition, with a portion of the handbag shown in dotted lines for environmental purposes only;

FIG. 44 is a left side view thereof, the right side being a mirror image; and,

FIG. 45 is a bottom plan view thereof.

The broken line showing of a handbag is for illustrative purposes only and forms no part of the claimed design.

The broken lines contained within or adjacent to the exterior compartment in each of the views are intended to represent stitches and form part of the claimed design.

1 Claim, 16 Drawing Sheets

FIG. 1

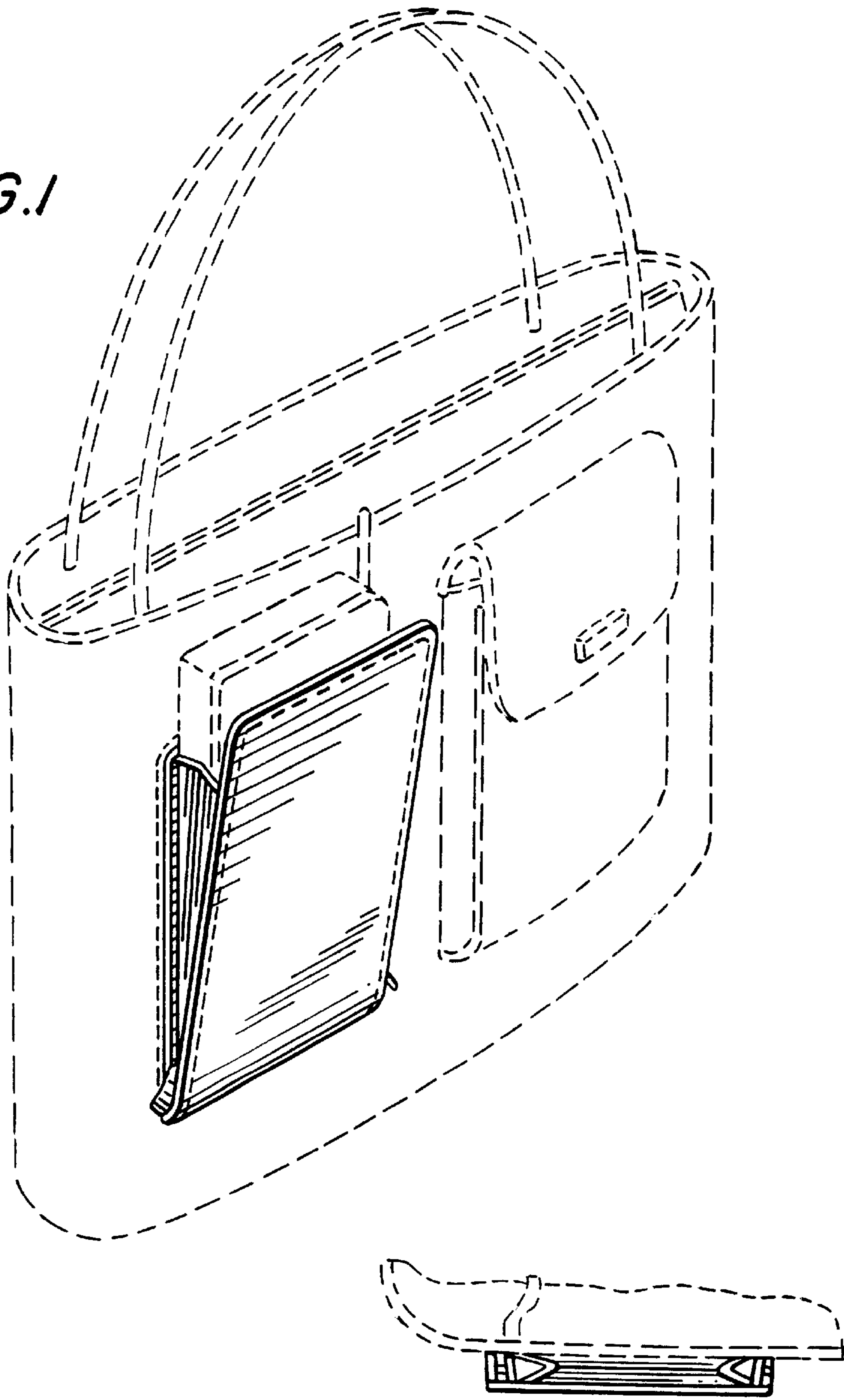


FIG. 2

FIG. 3

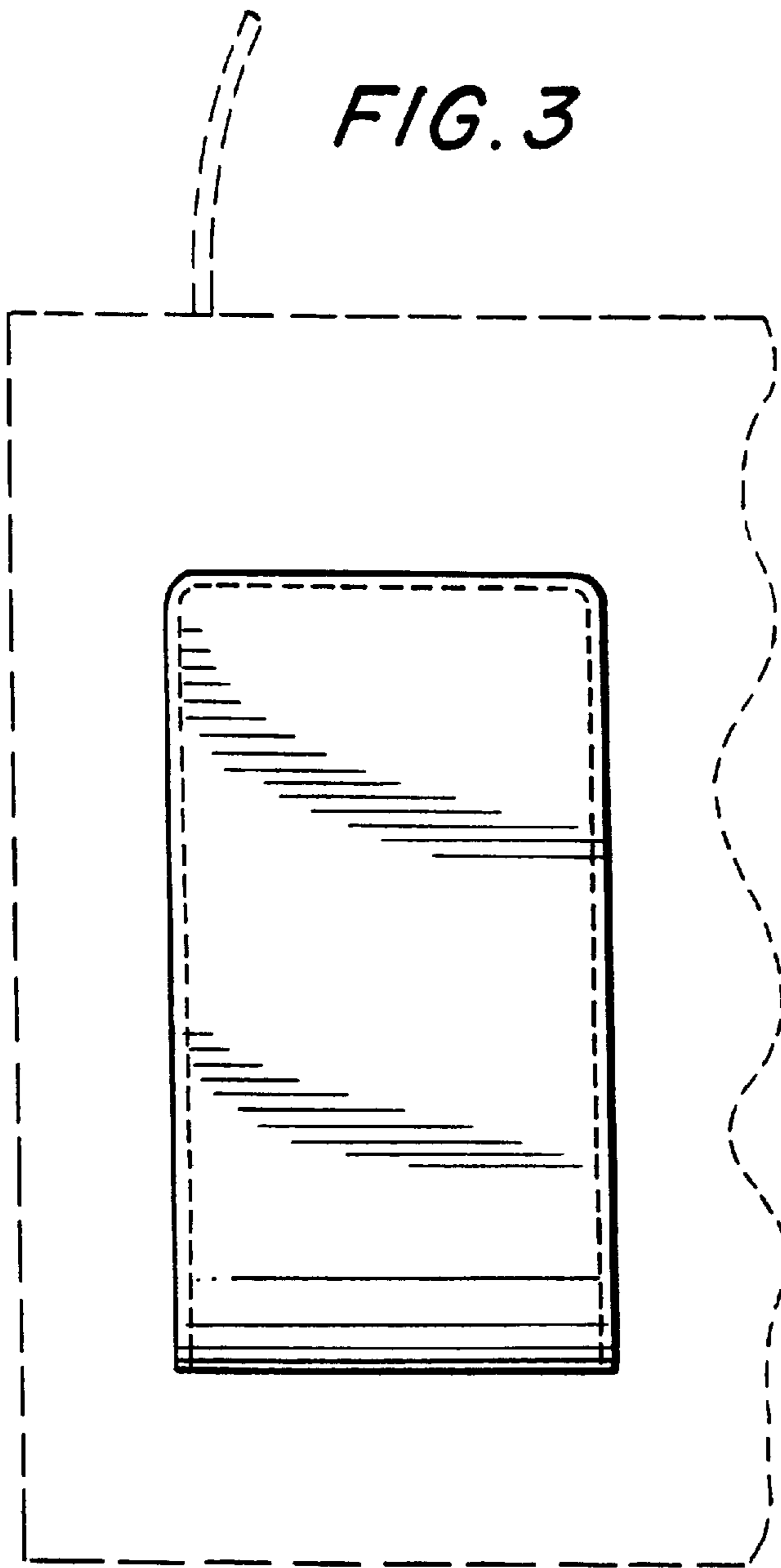


FIG. 4

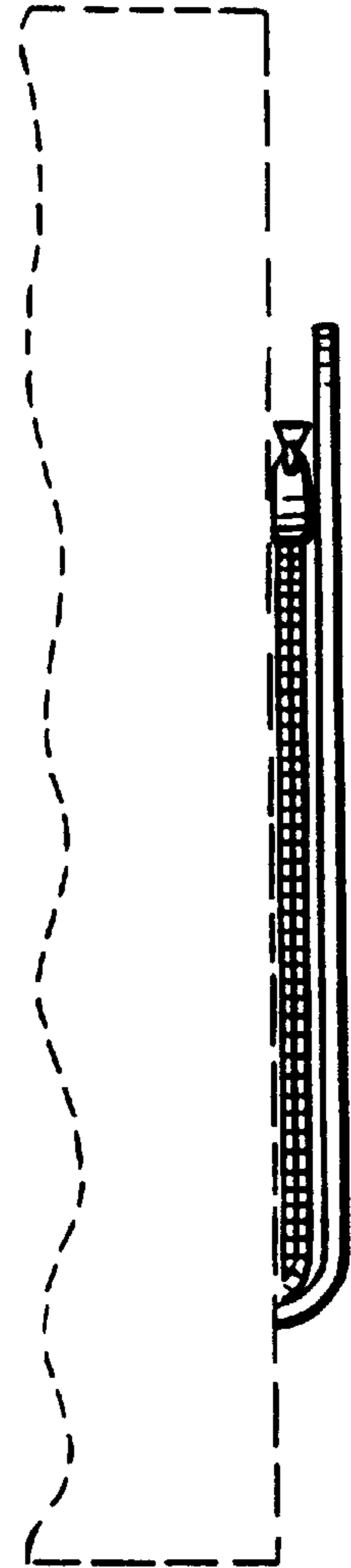


FIG. 5

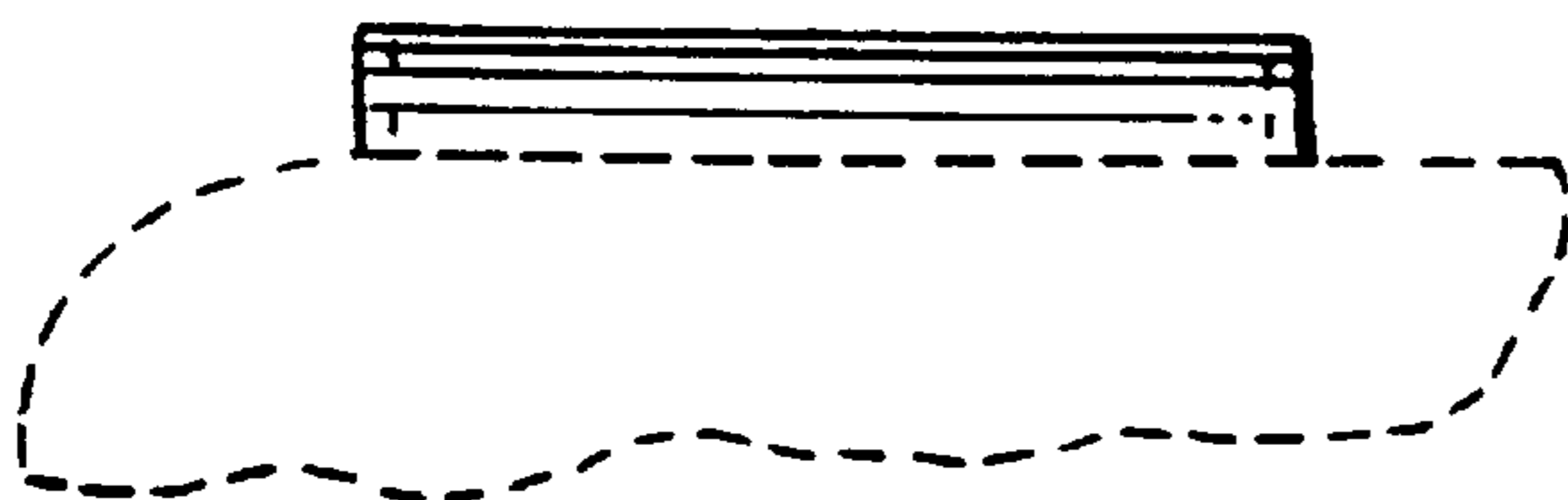


FIG. 6

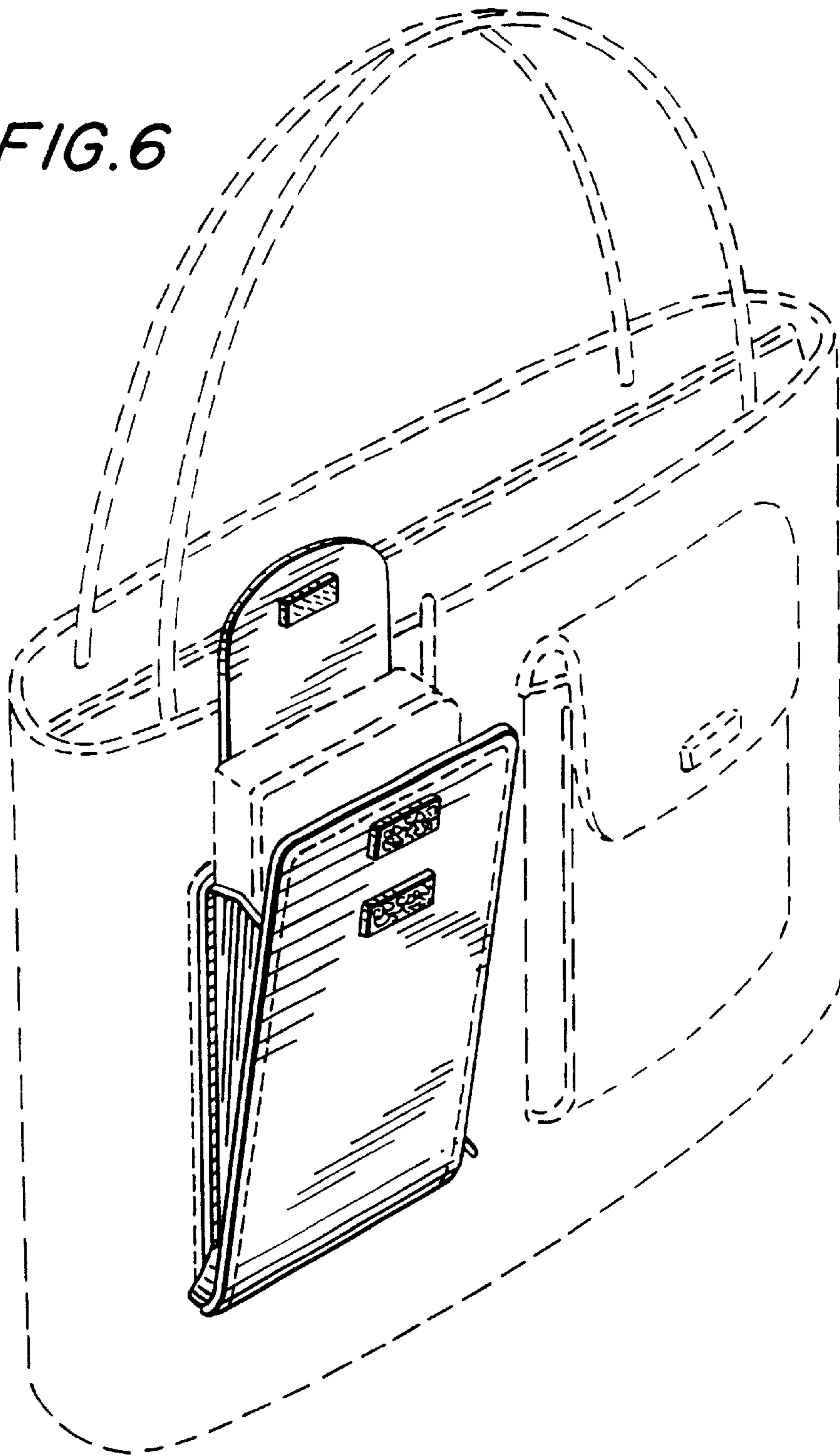


FIG. 7

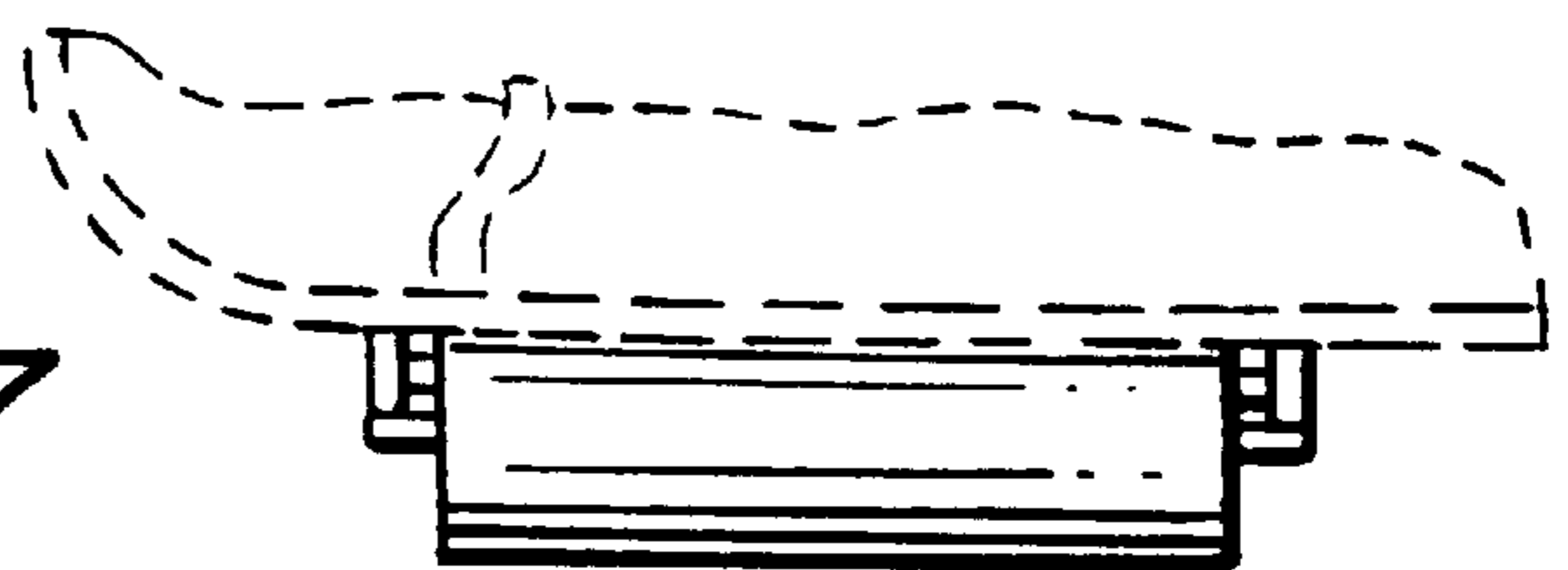


FIG. 8

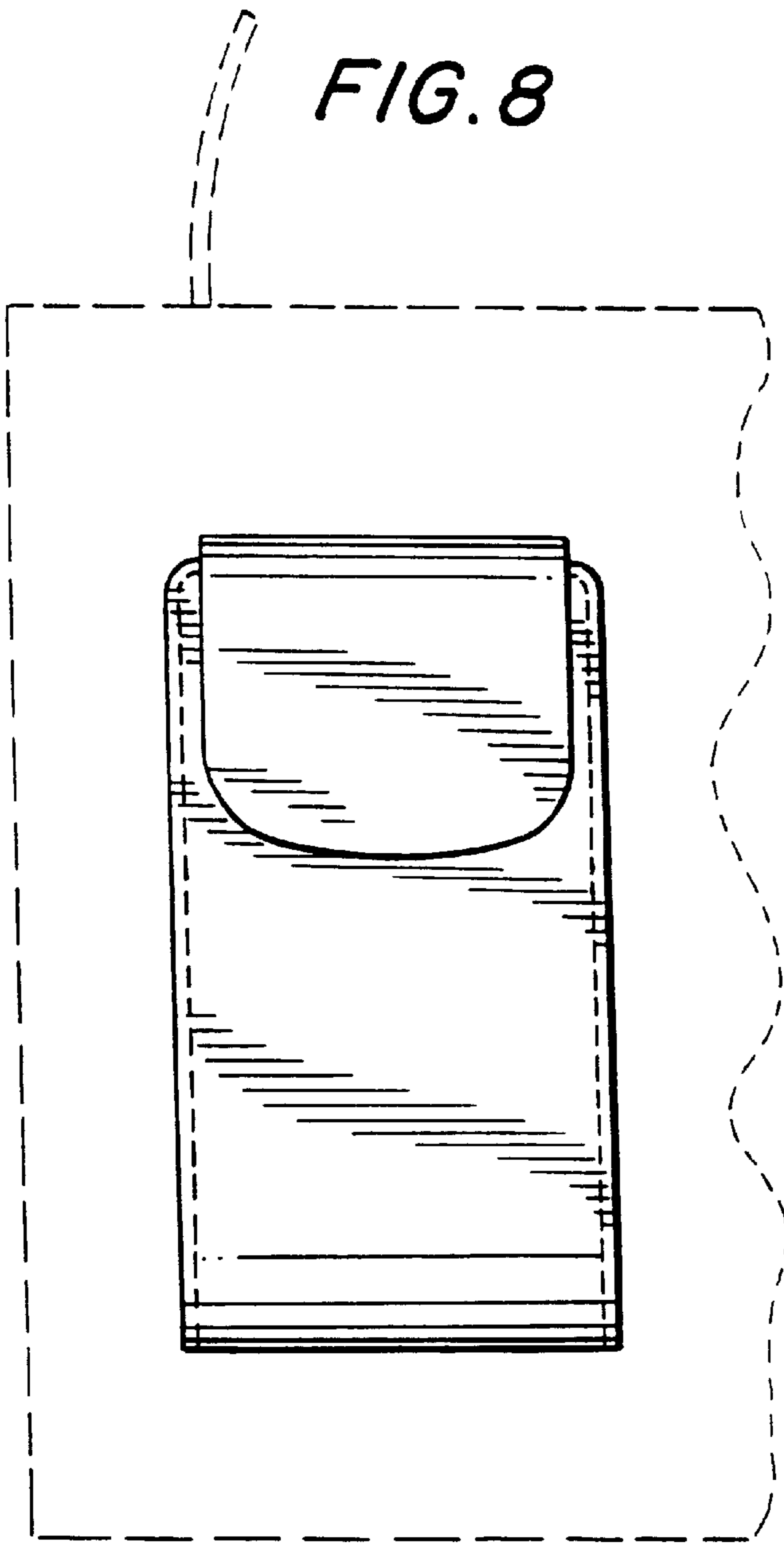


FIG. 9

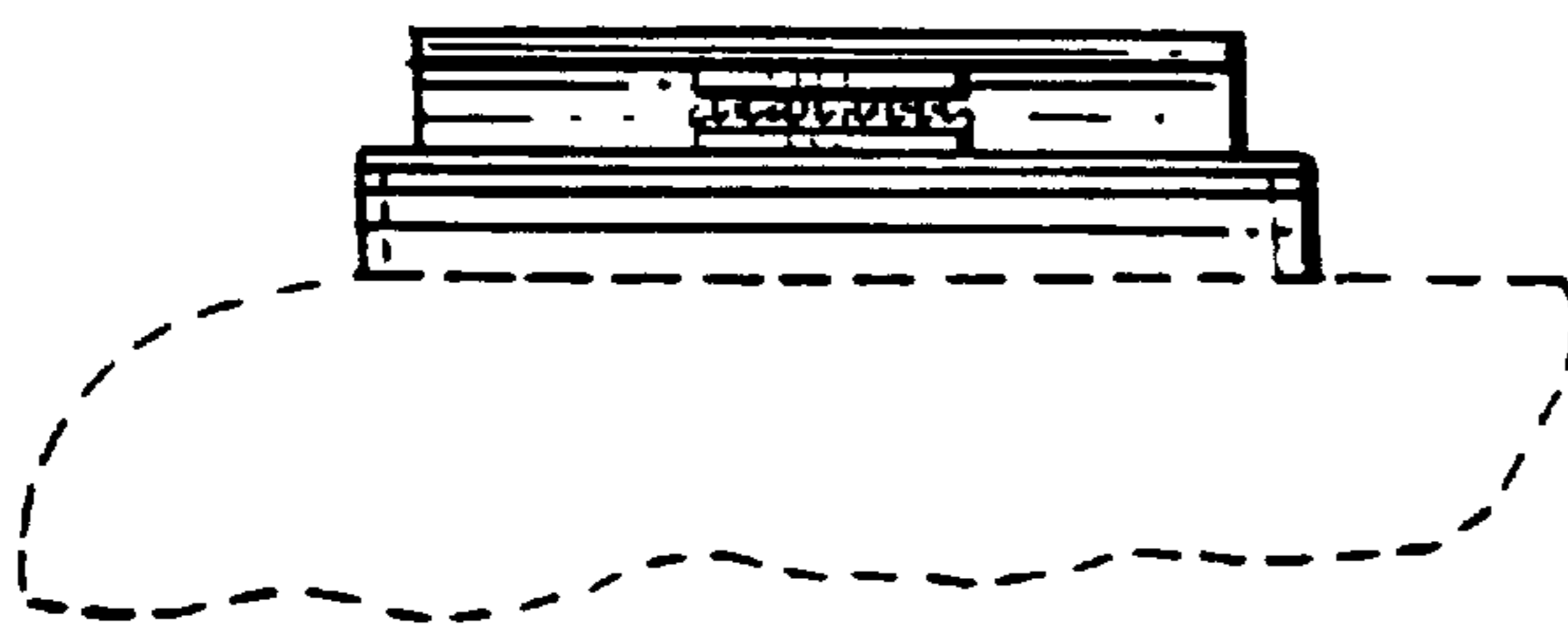
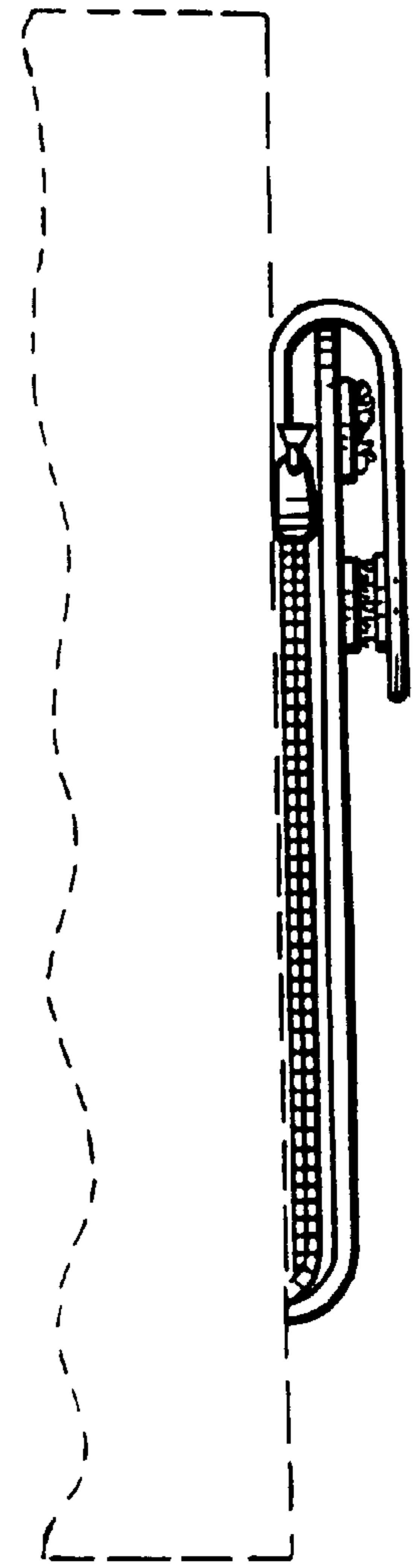


FIG. 10

FIG. 11

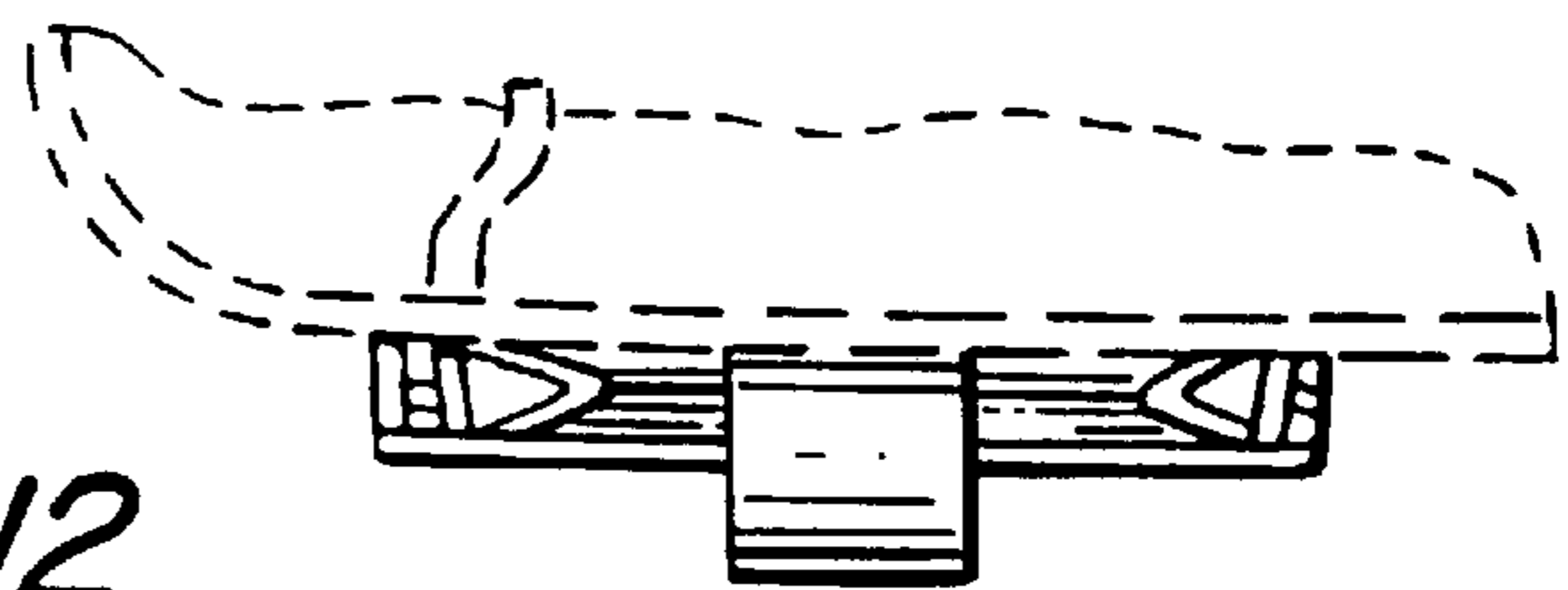
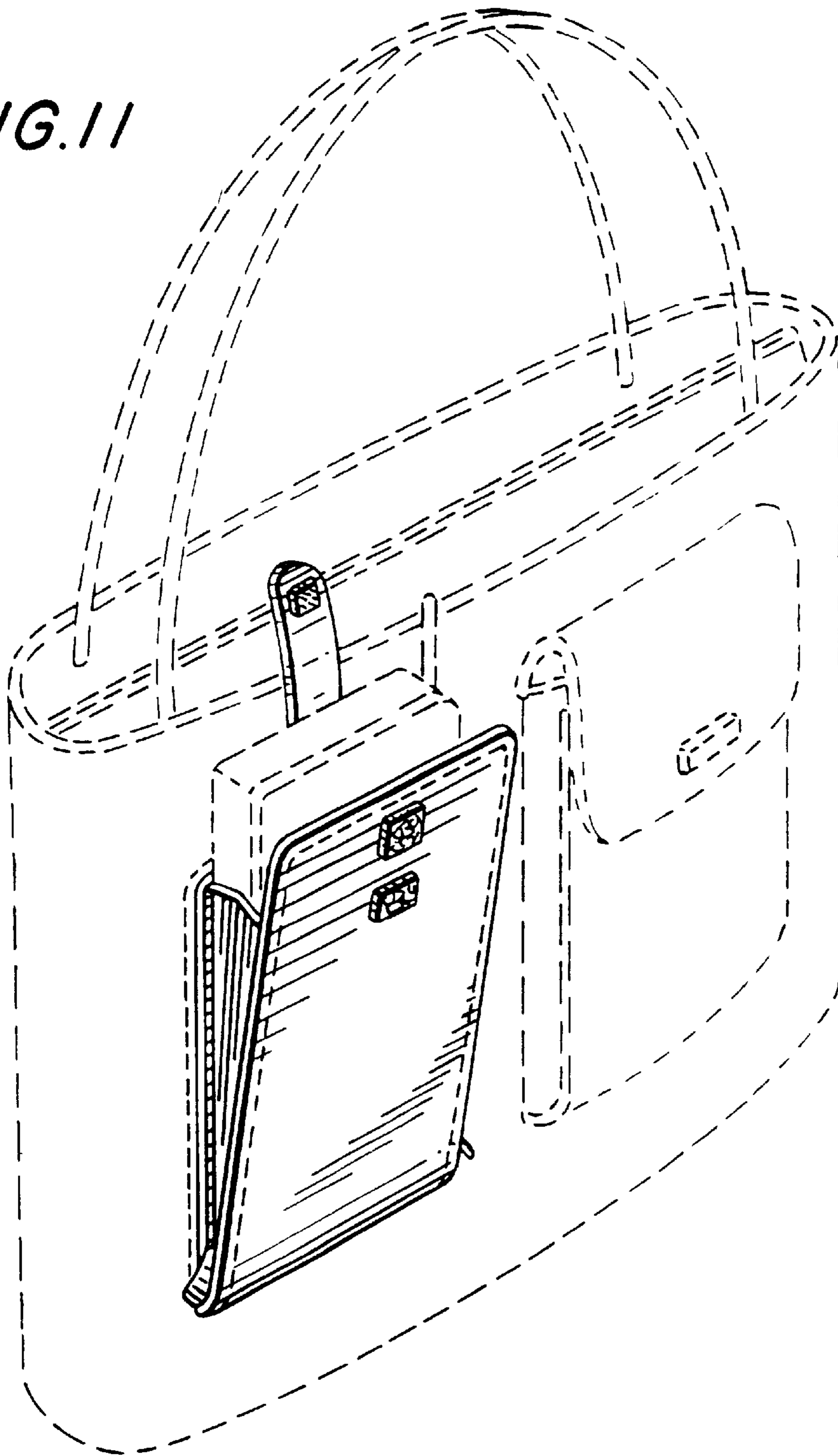


FIG. 12

FIG. 13

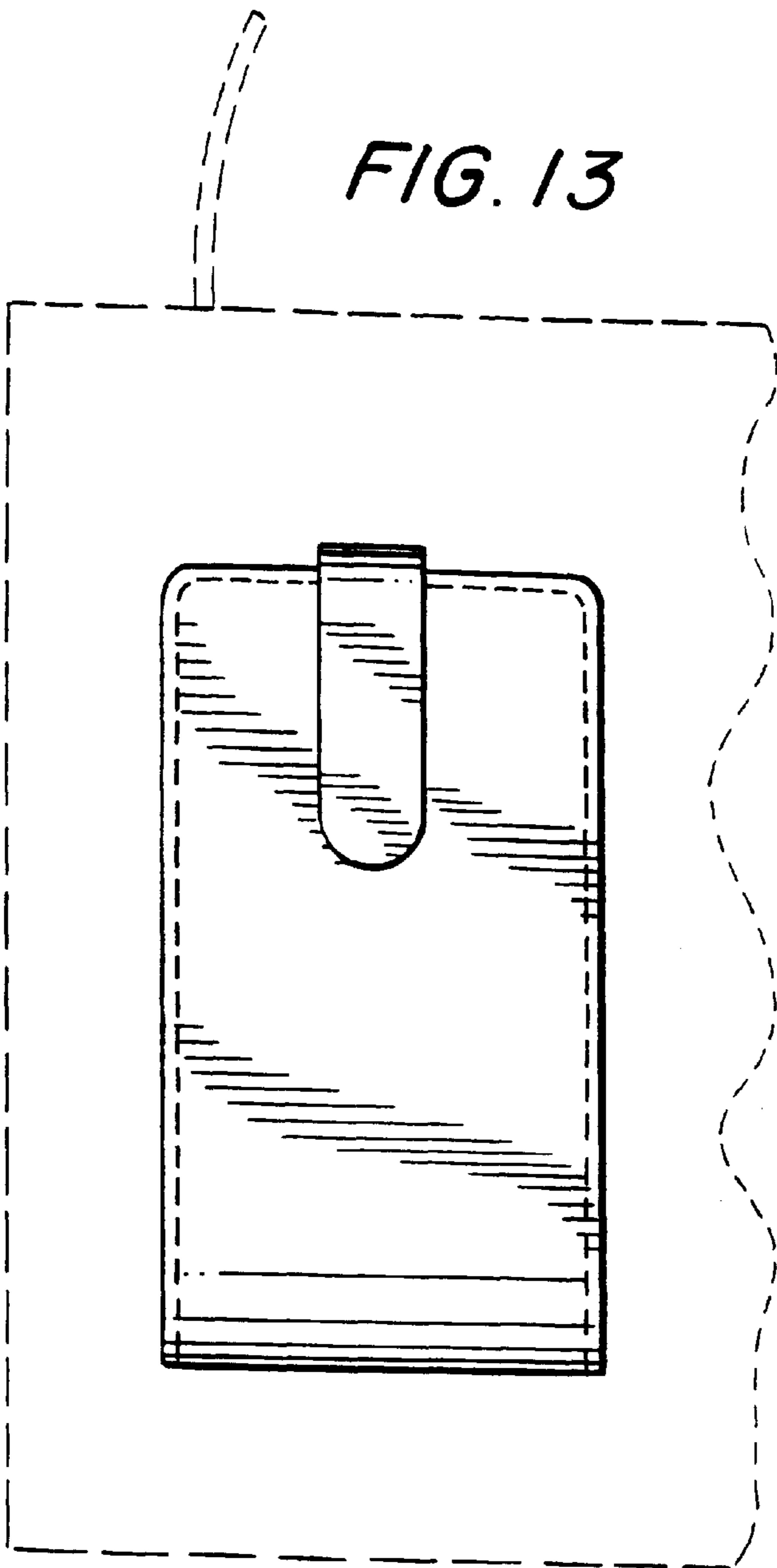


FIG. 14

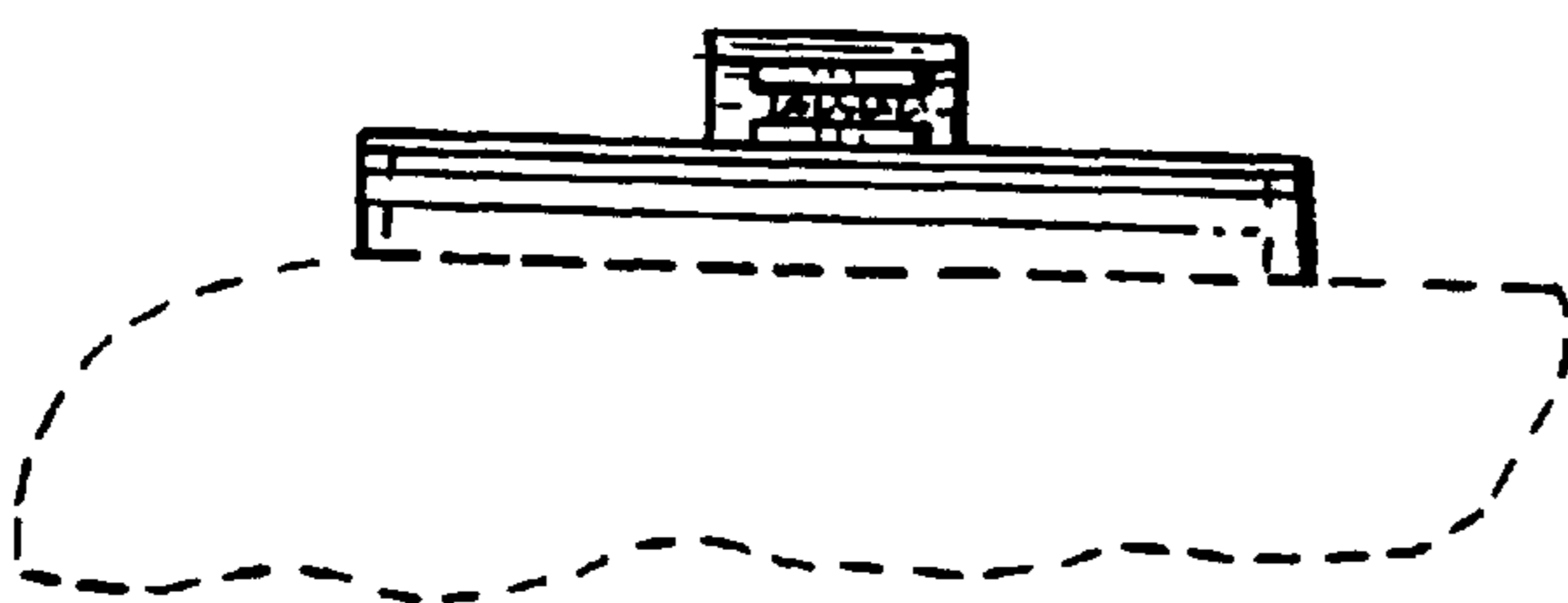
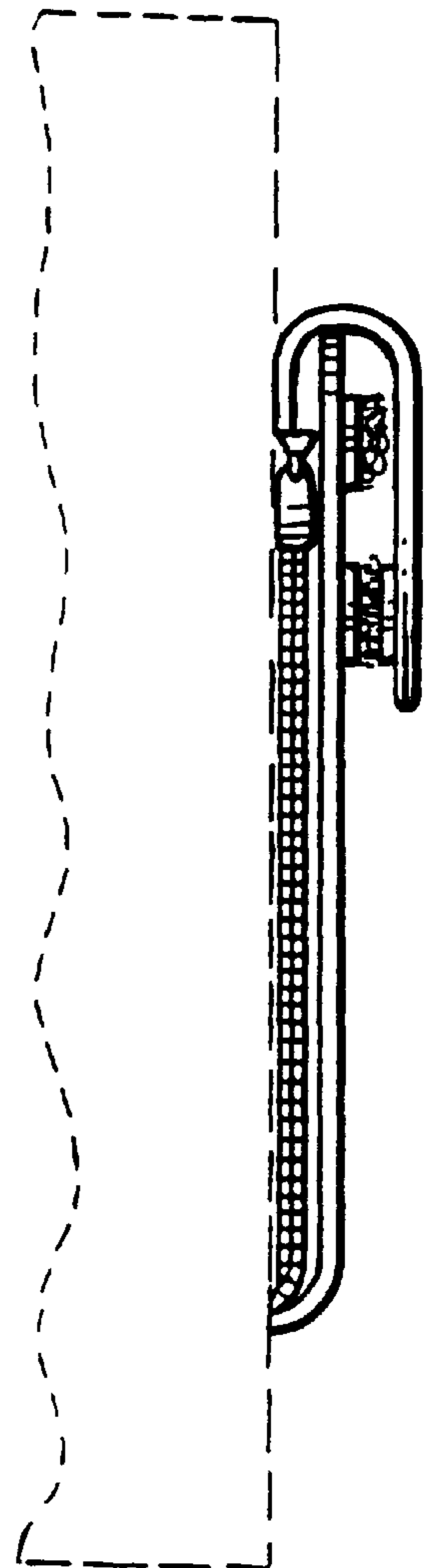


FIG. 15

FIG. 16

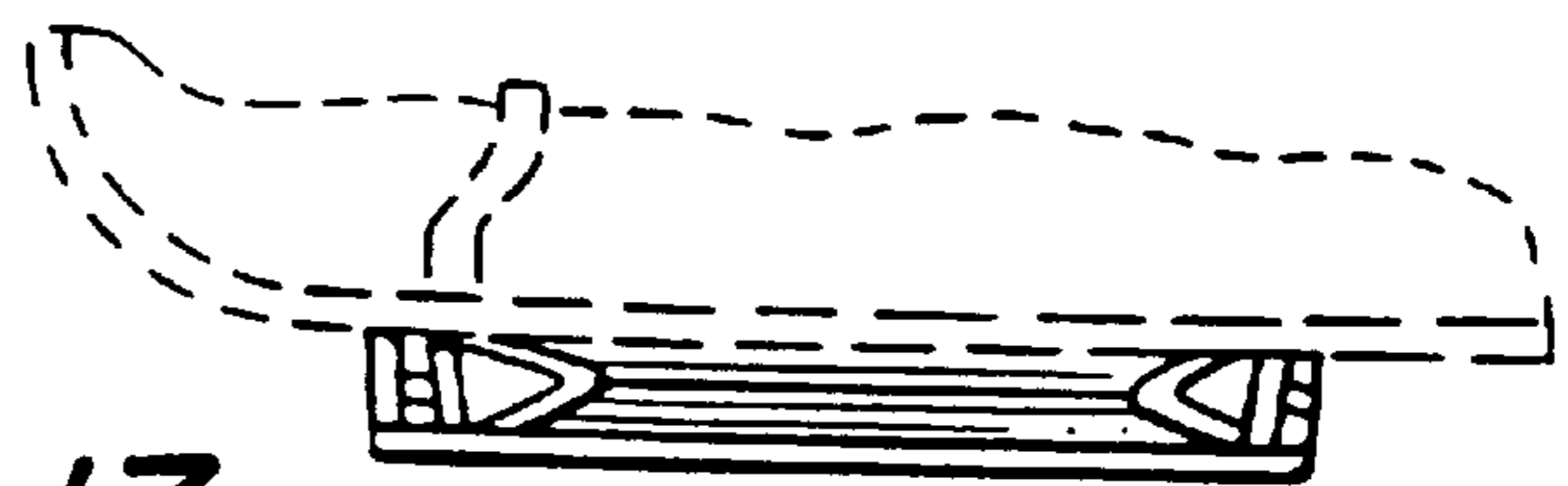
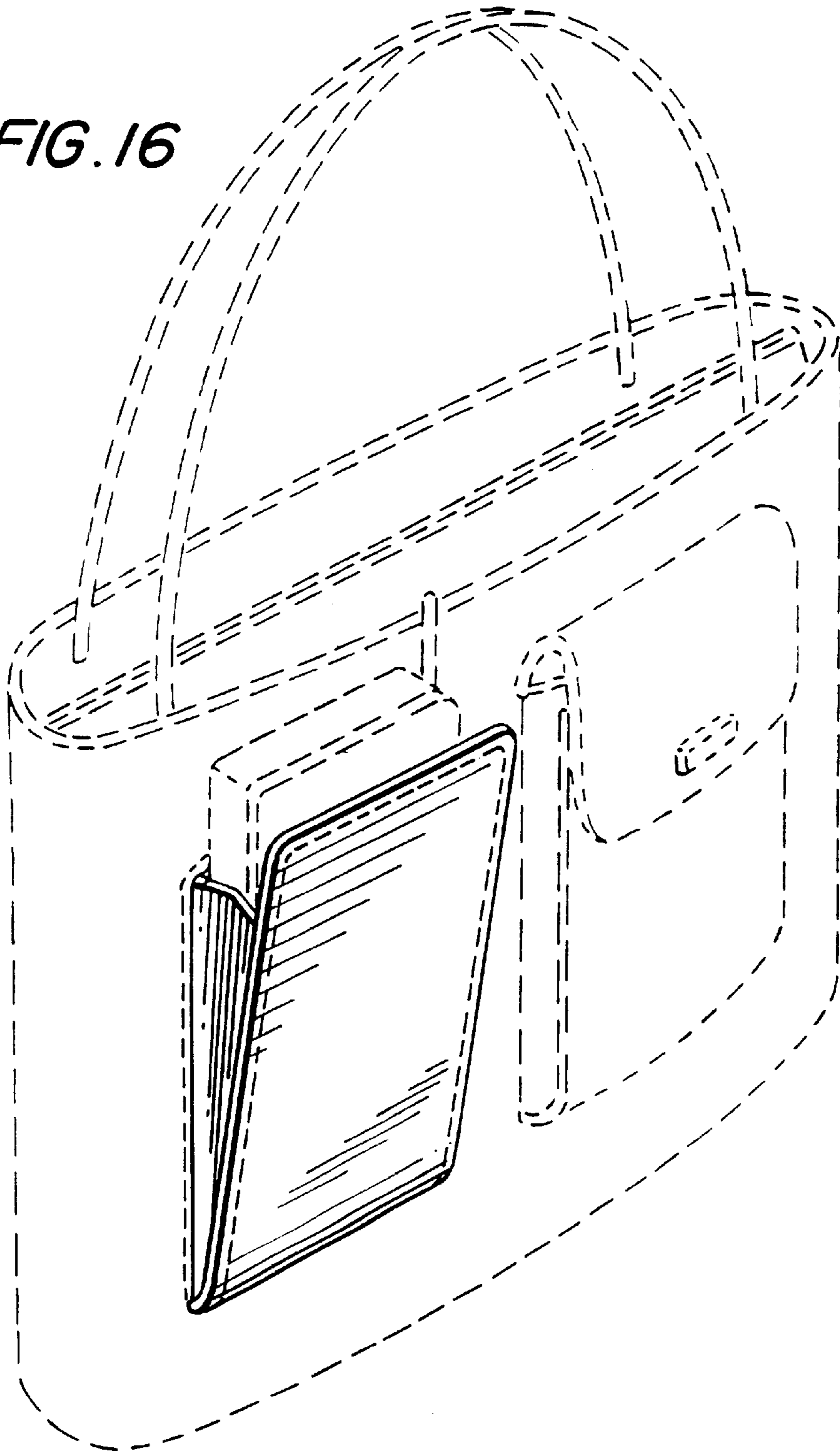


FIG. 17

FIG. 18

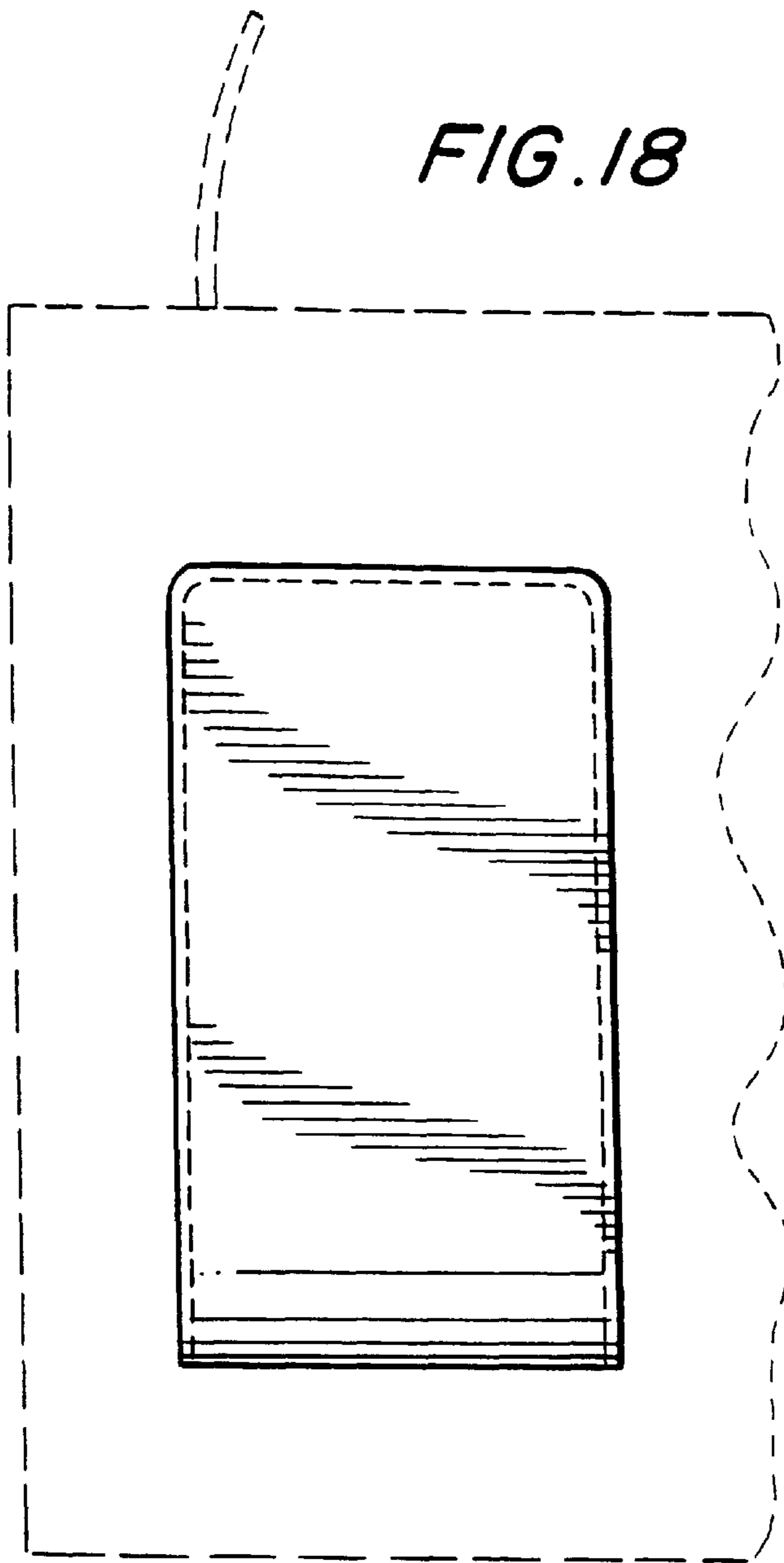


FIG. 19

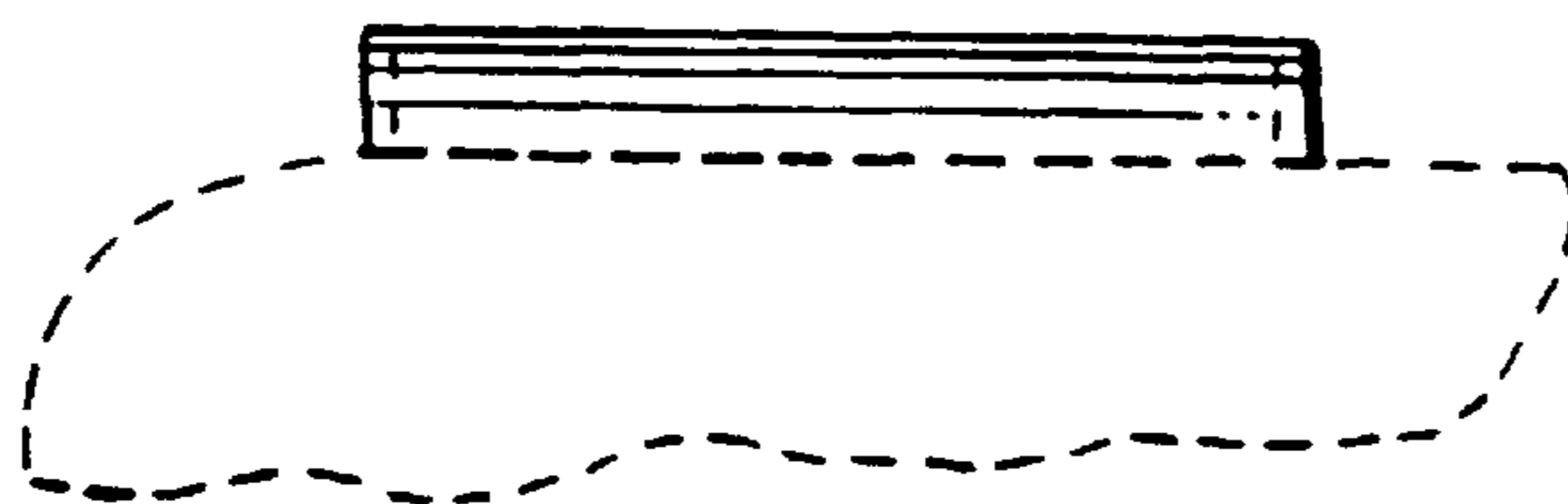
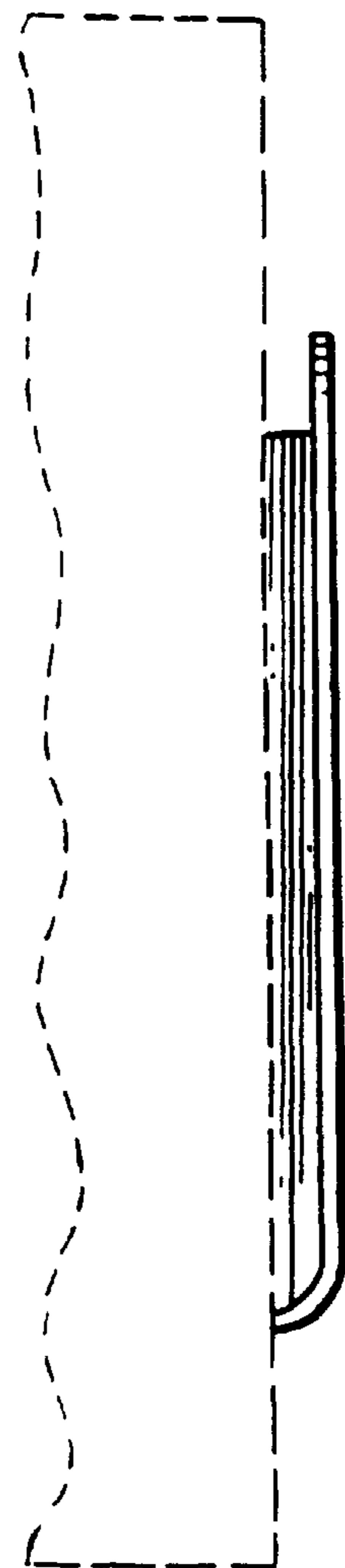


FIG. 20

FIG. 21

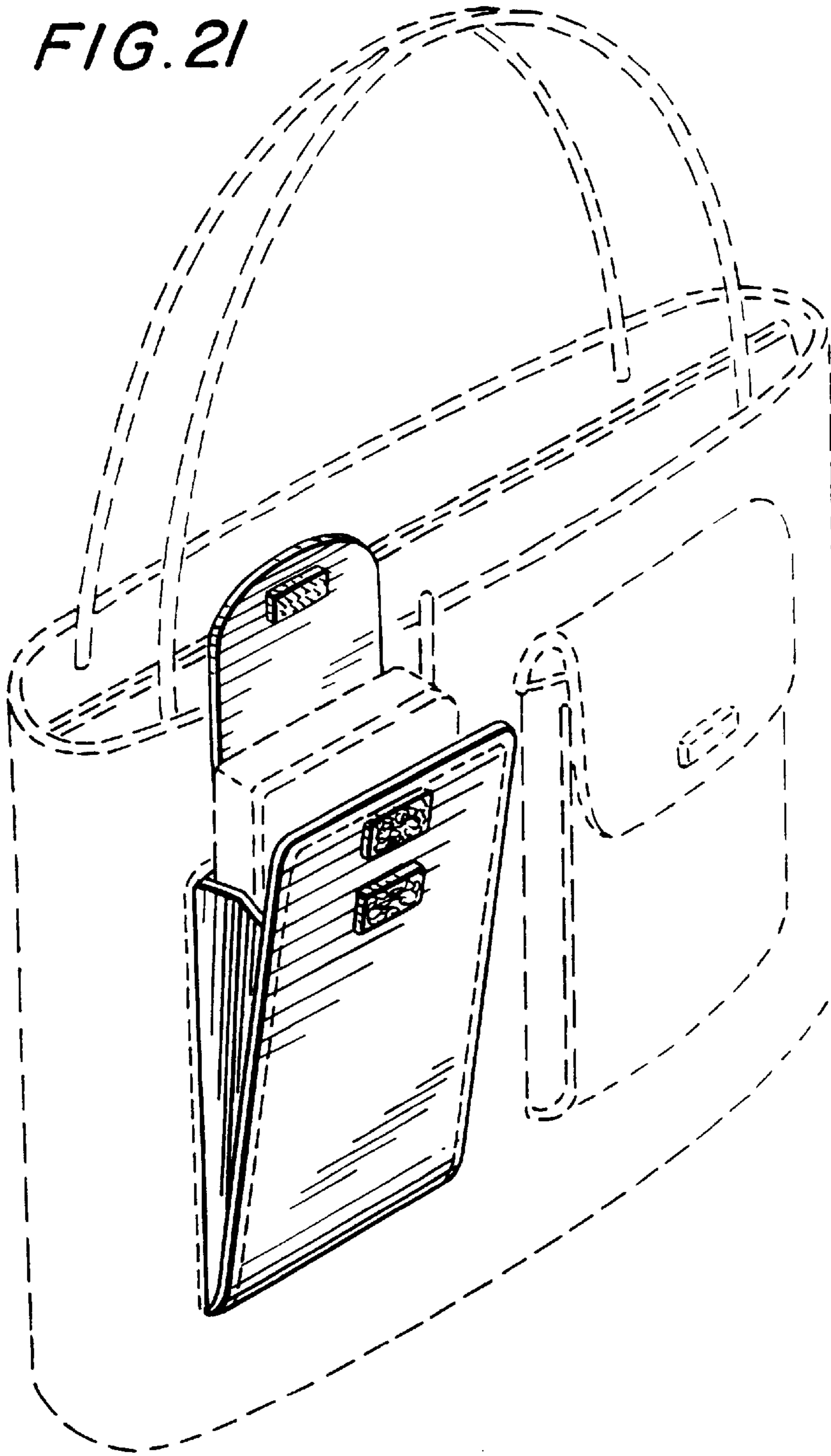


FIG. 22

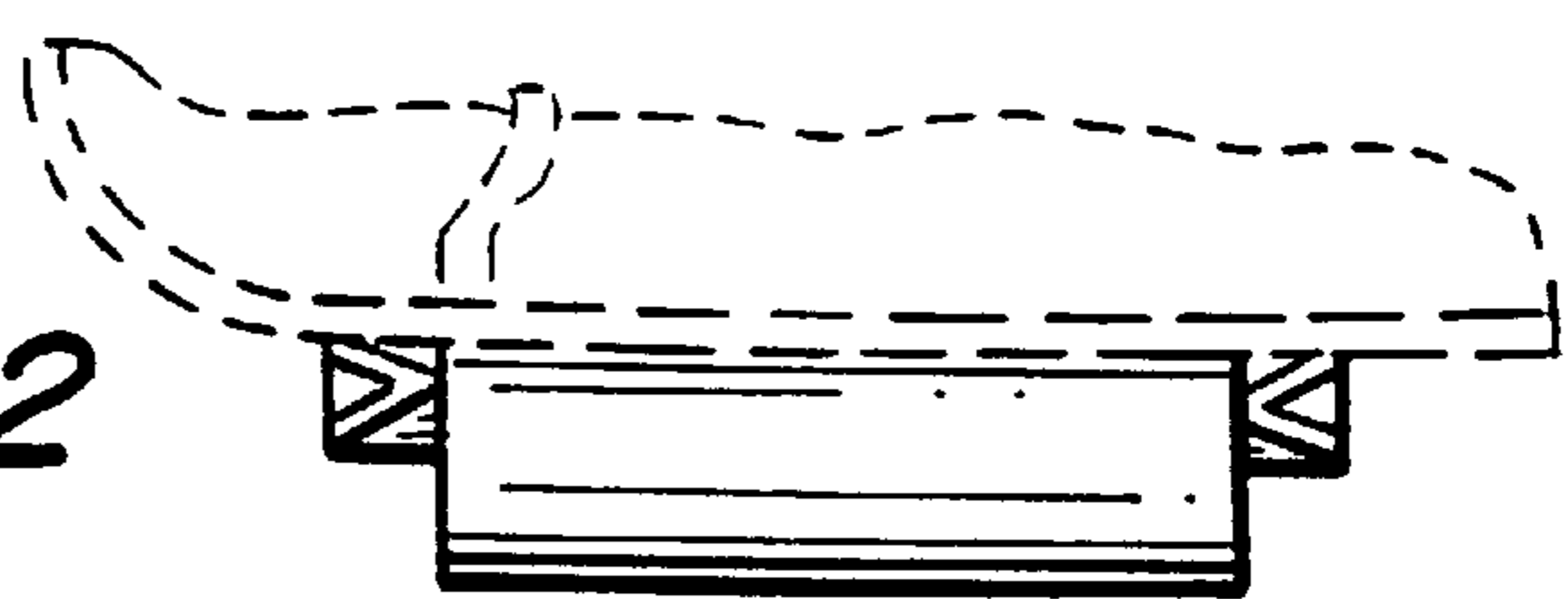


FIG. 23

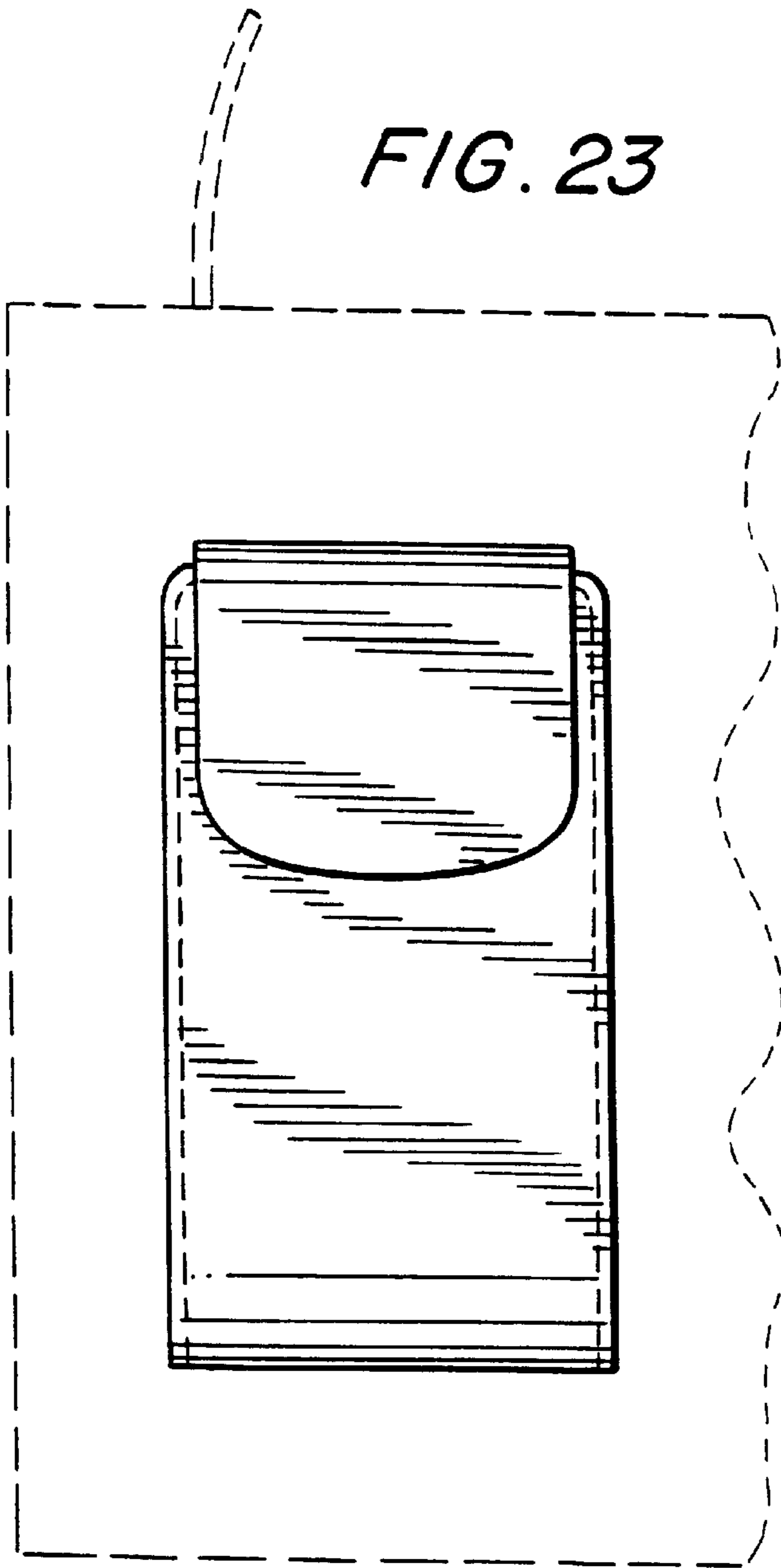


FIG. 24

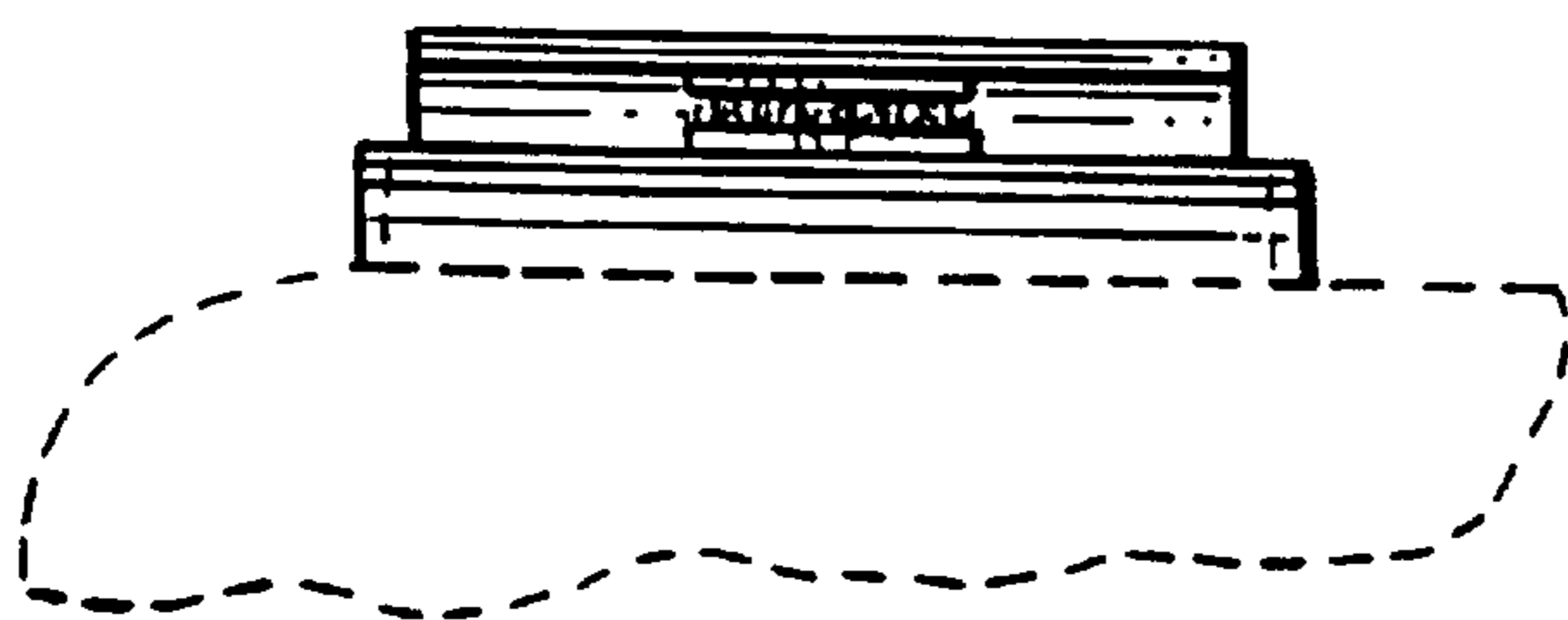
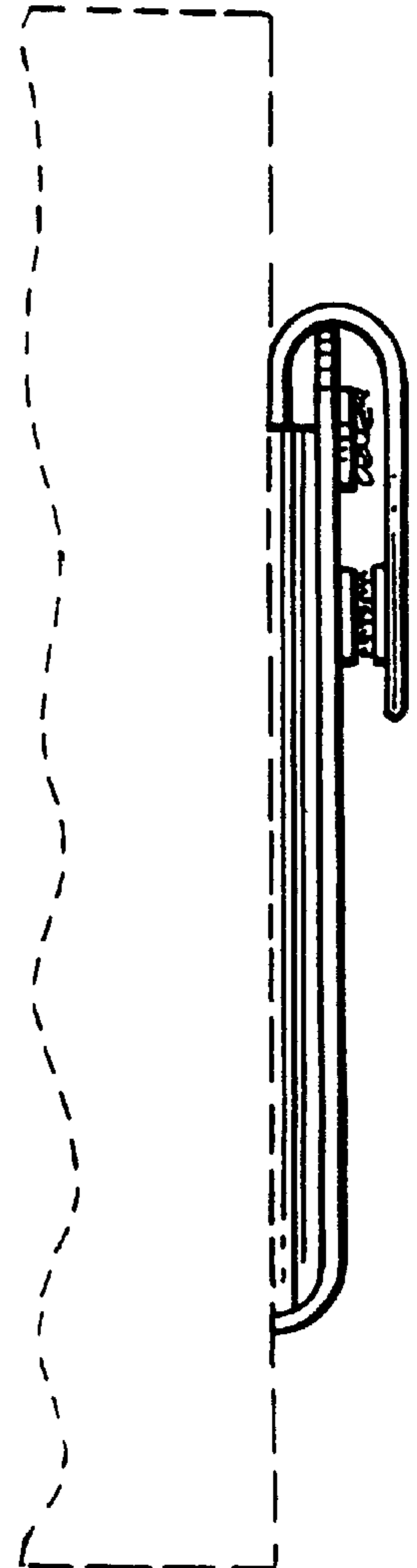


FIG. 25

FIG. 26

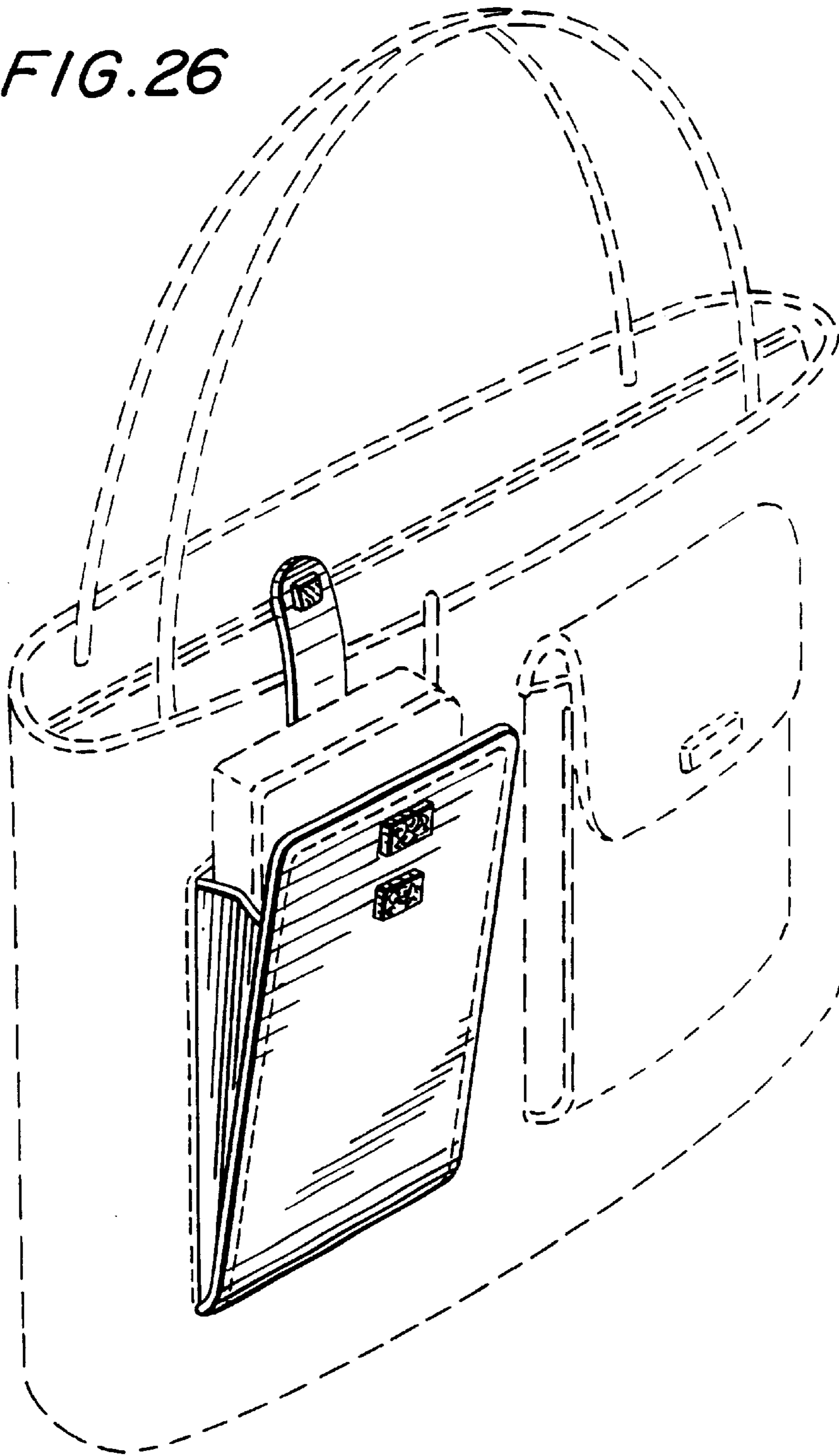


FIG. 27

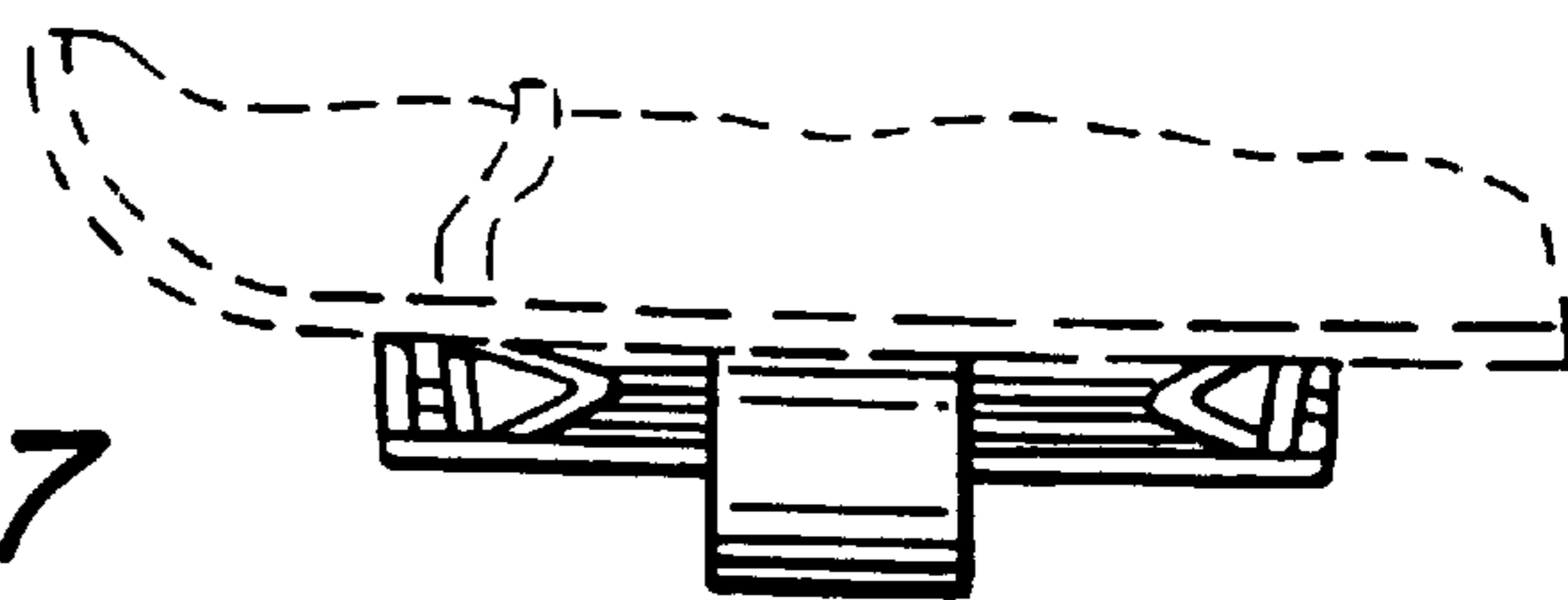


FIG. 28

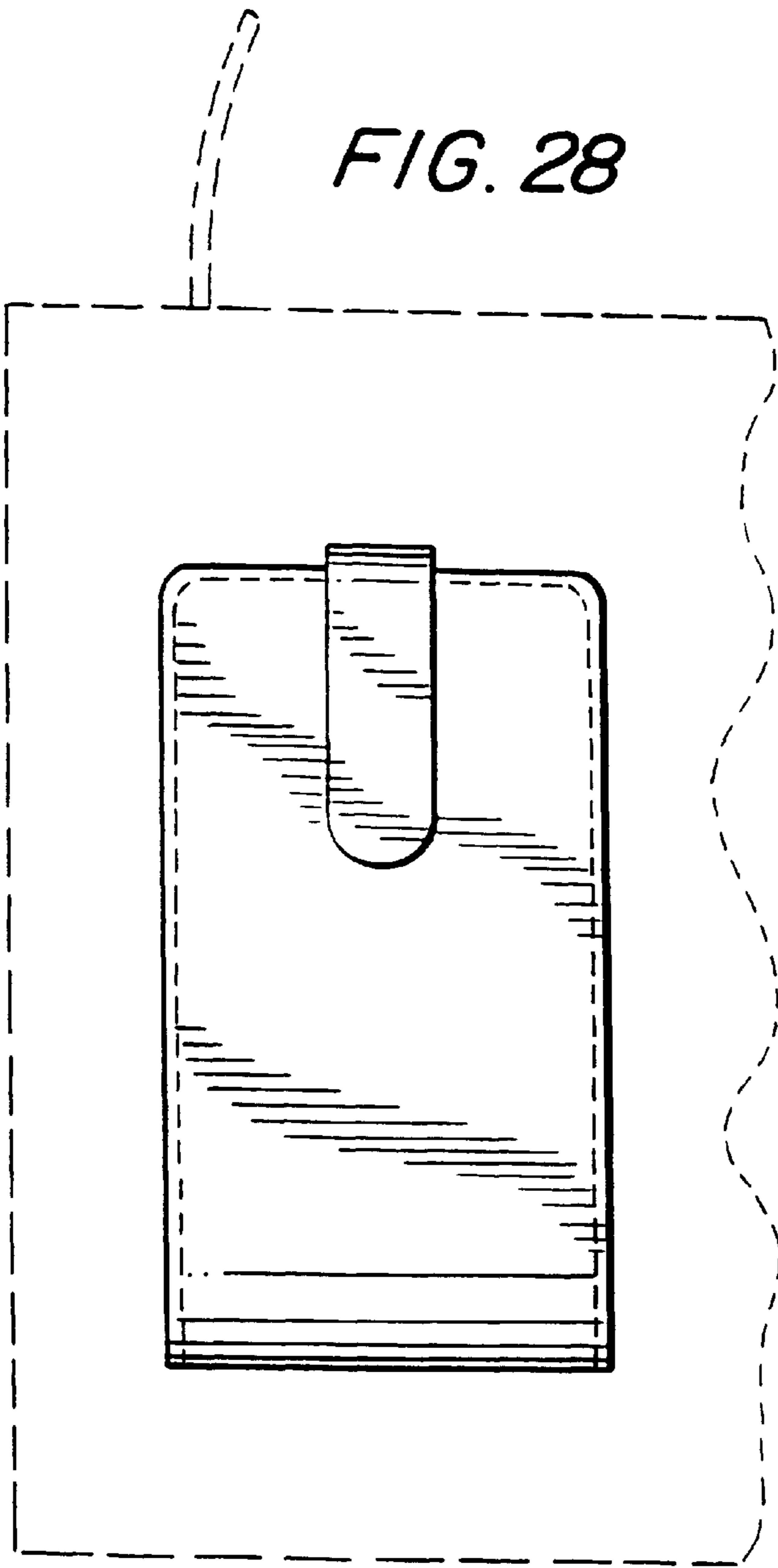


FIG. 29

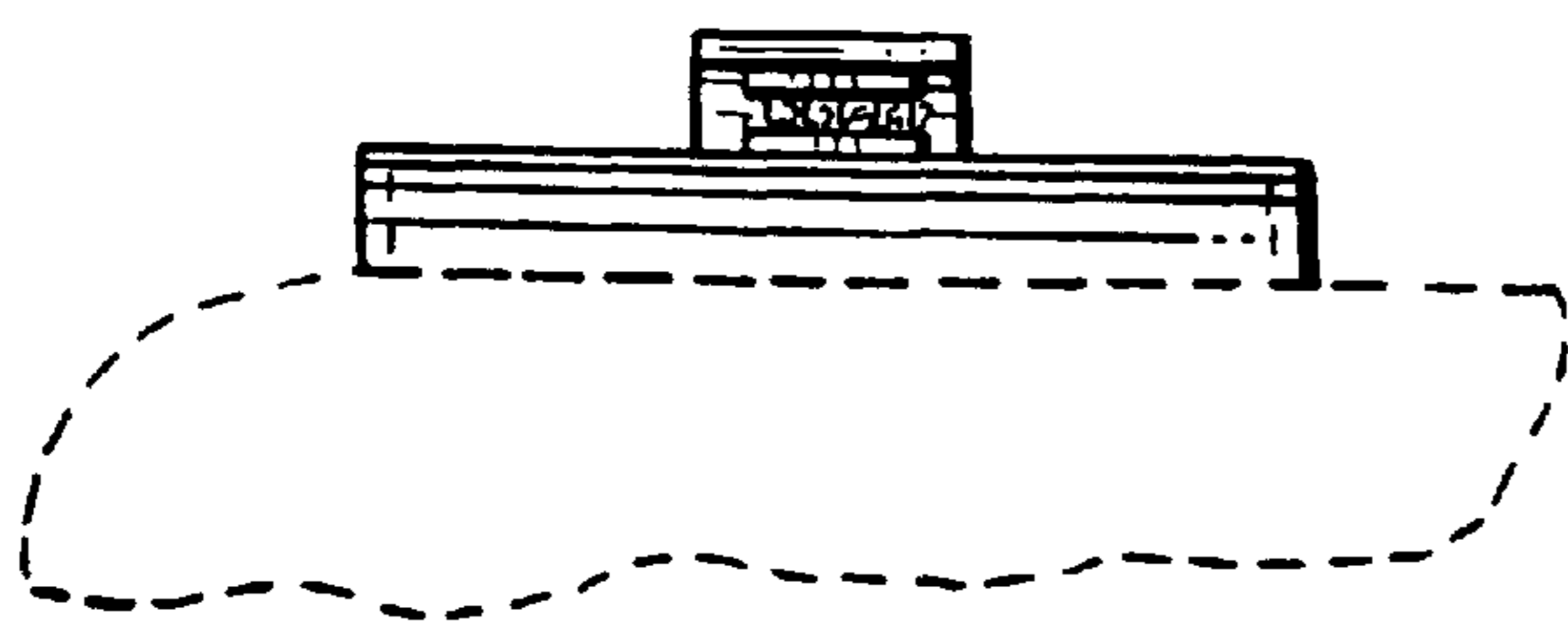
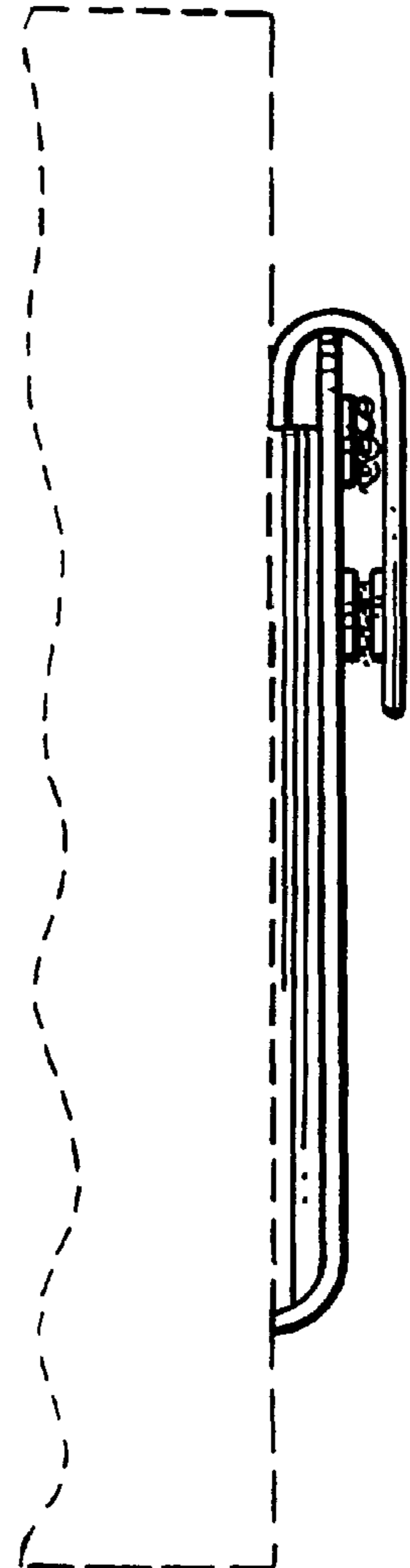


FIG. 30

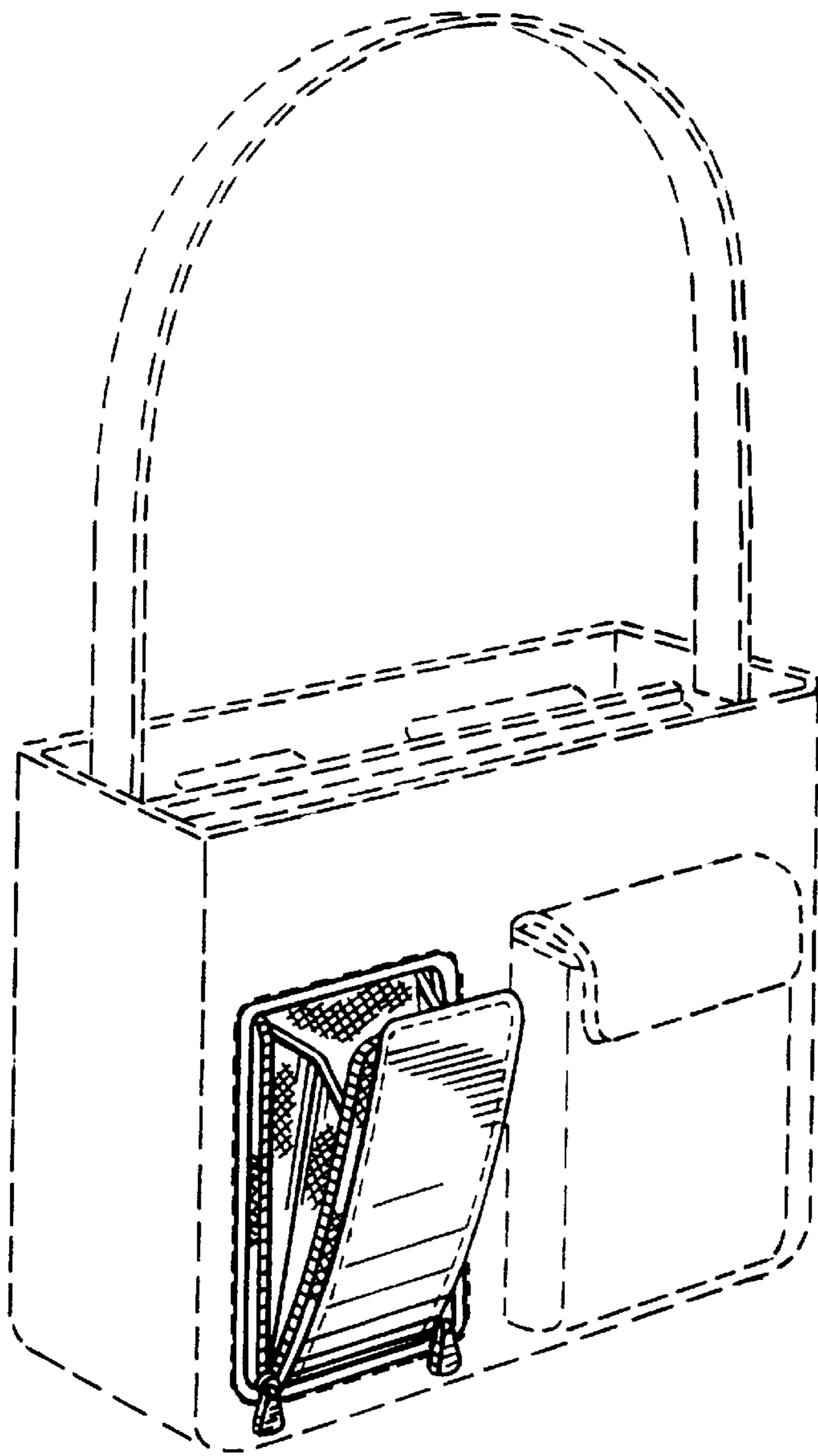


FIG. 31

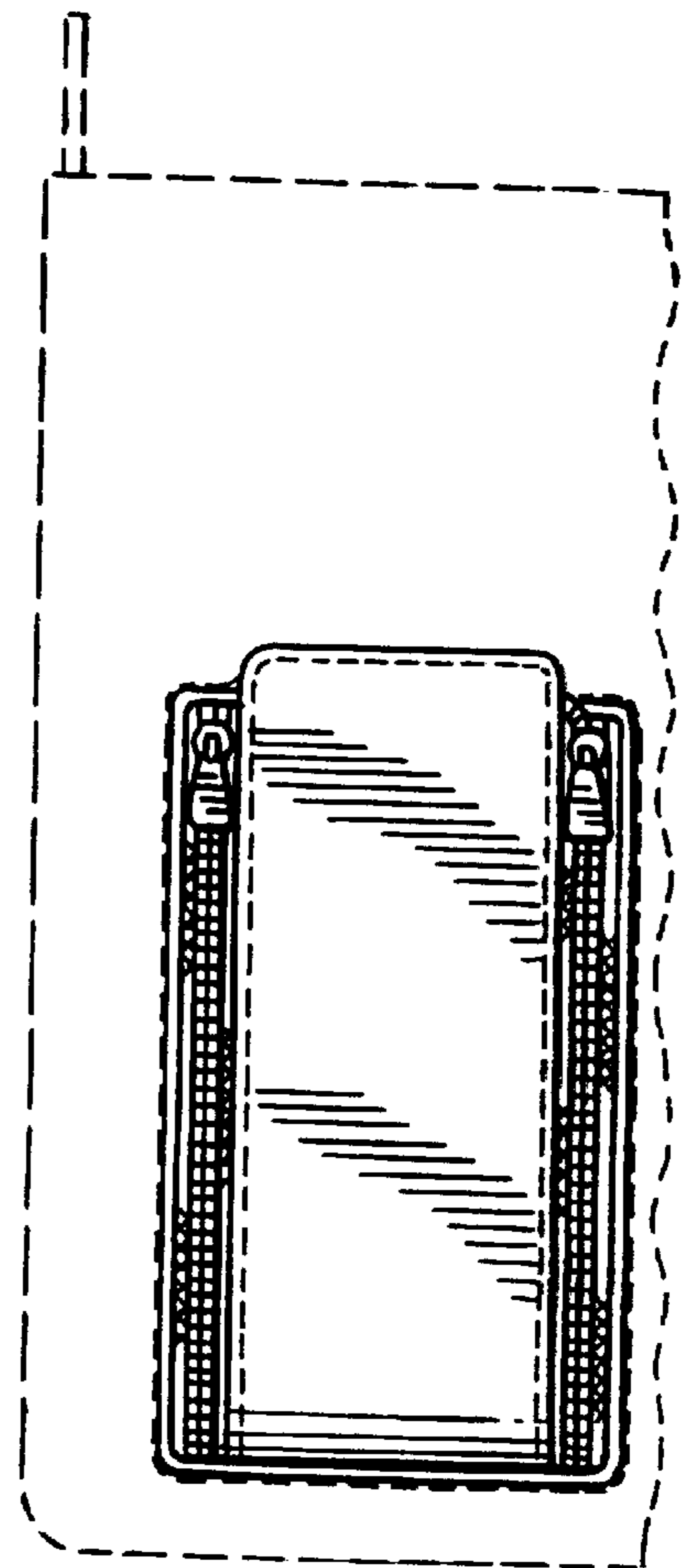


FIG. 32

FIG. 33

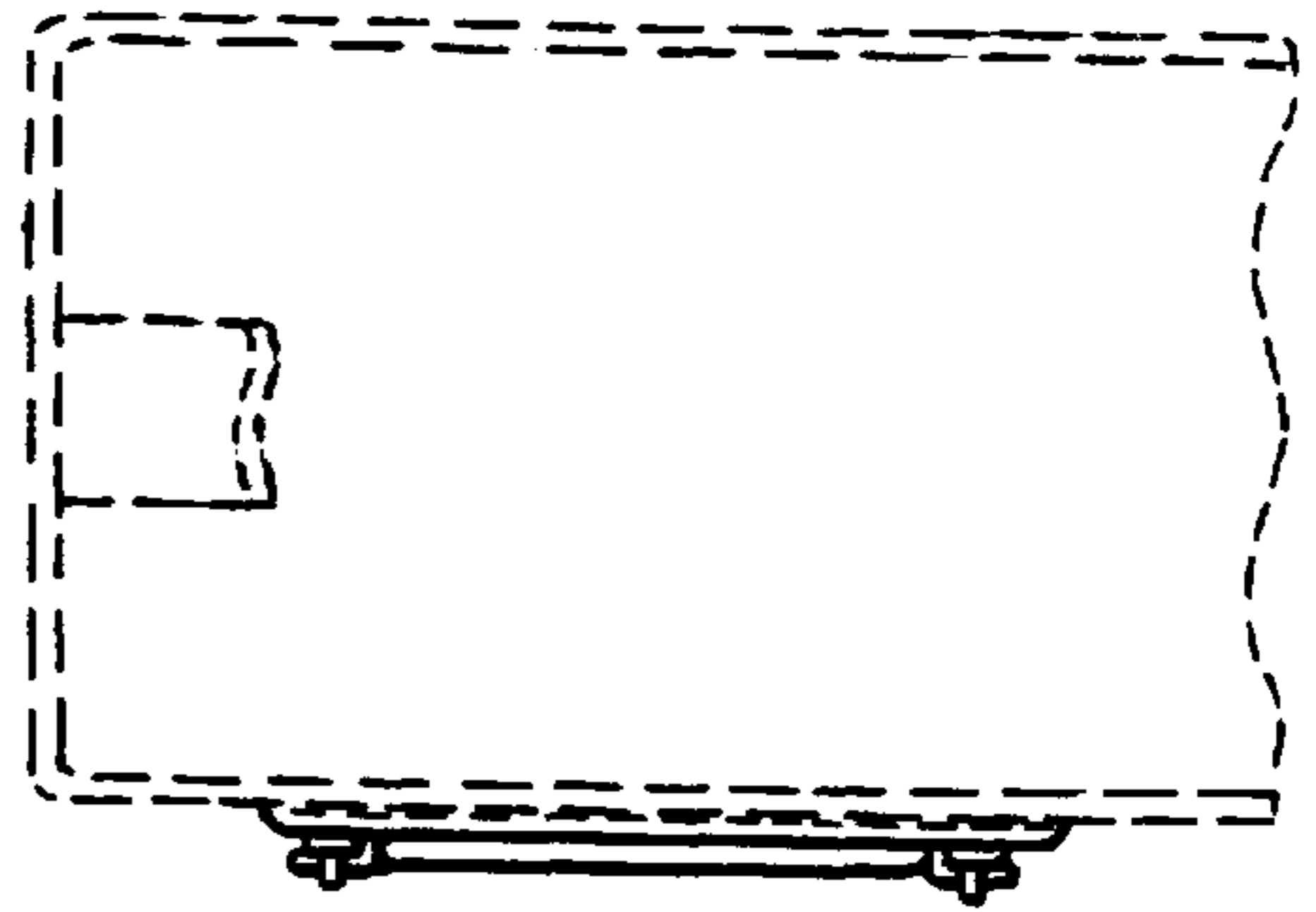


FIG. 34

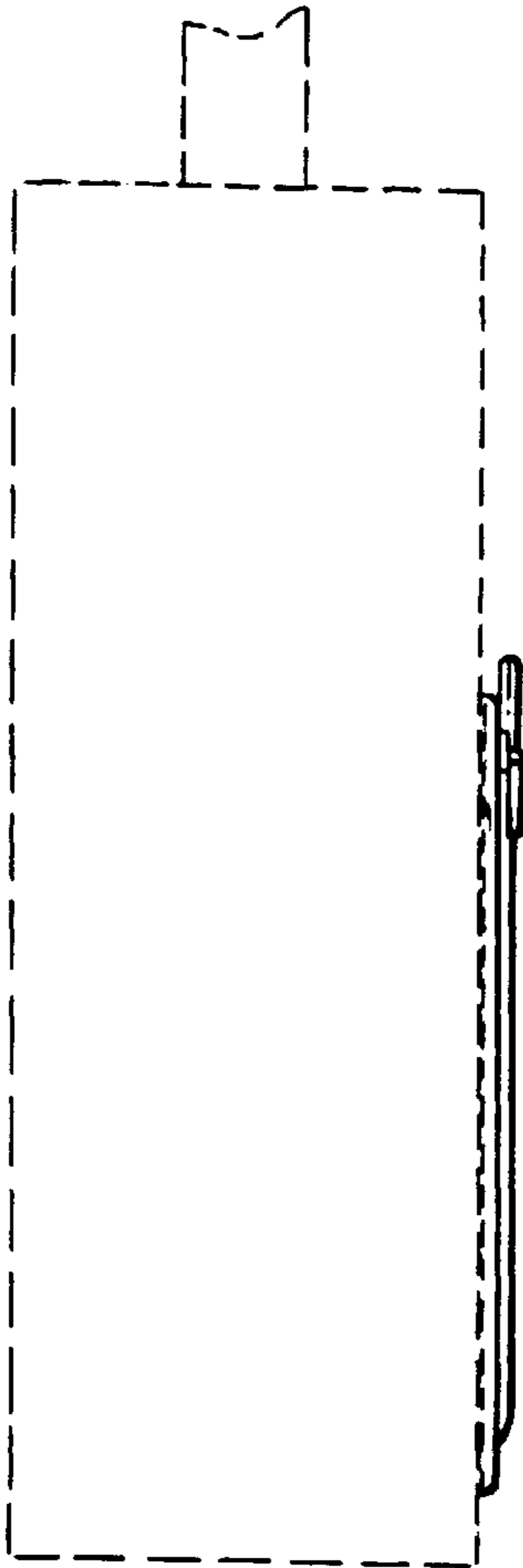


FIG. 35

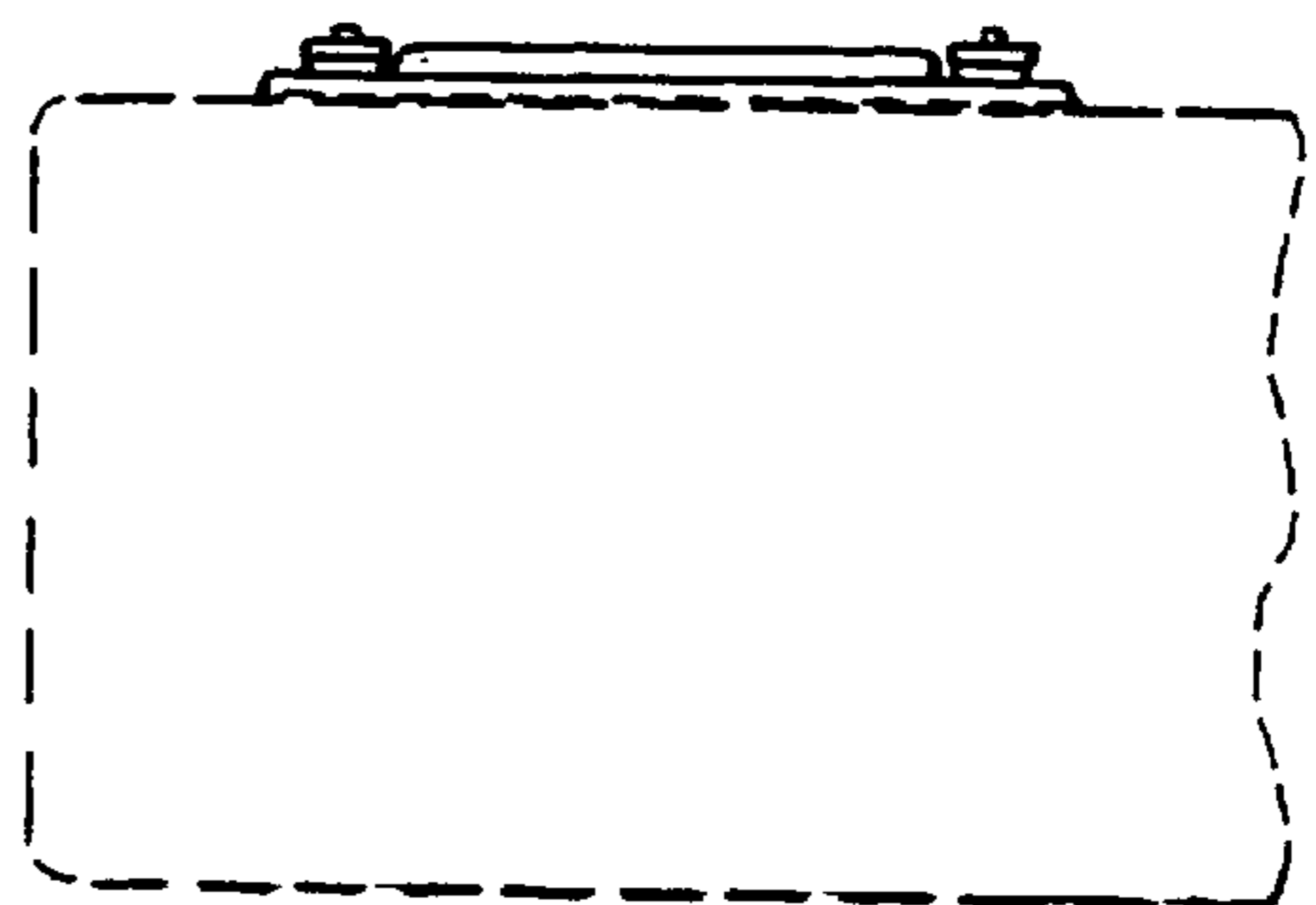


FIG. 36

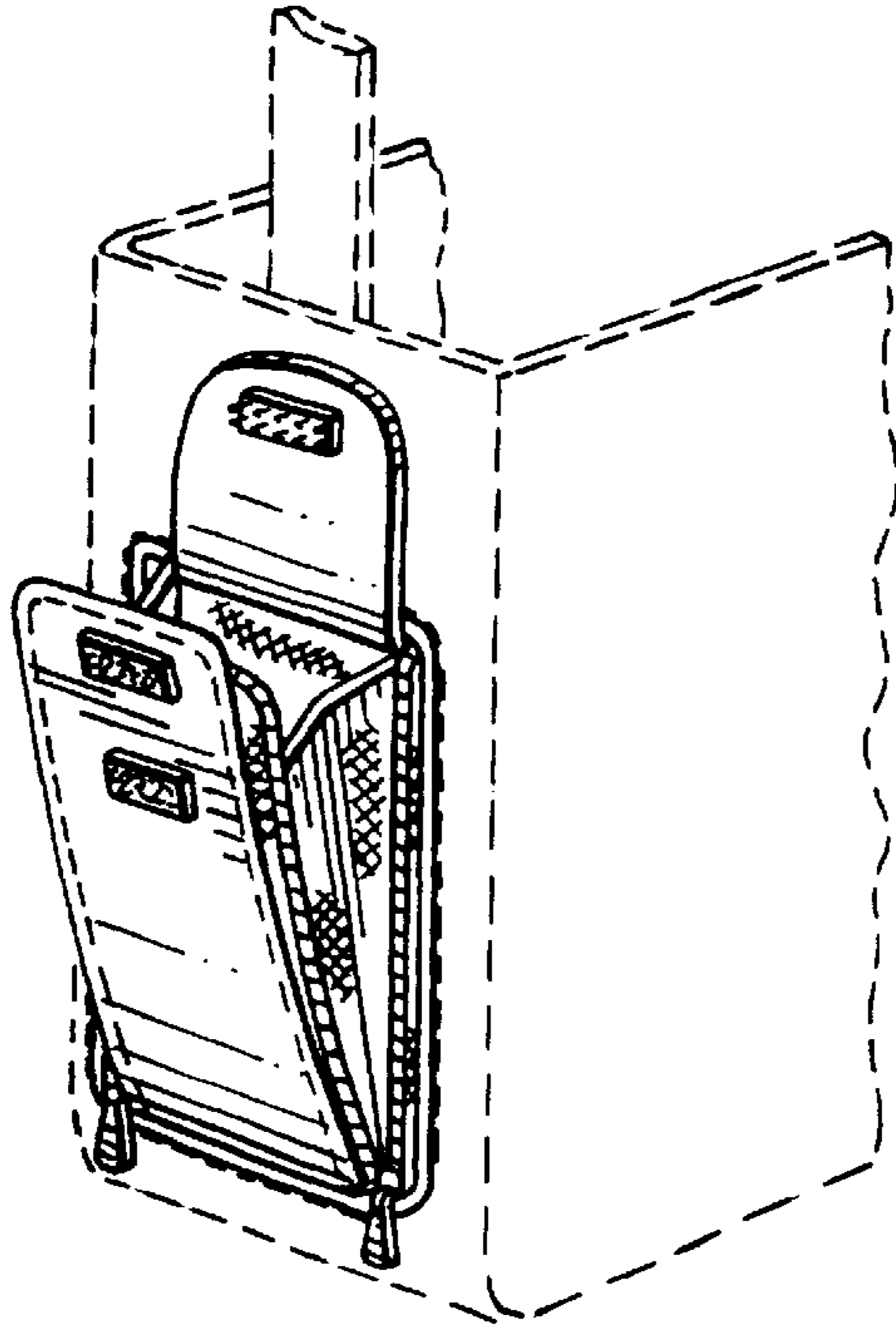


FIG. 37

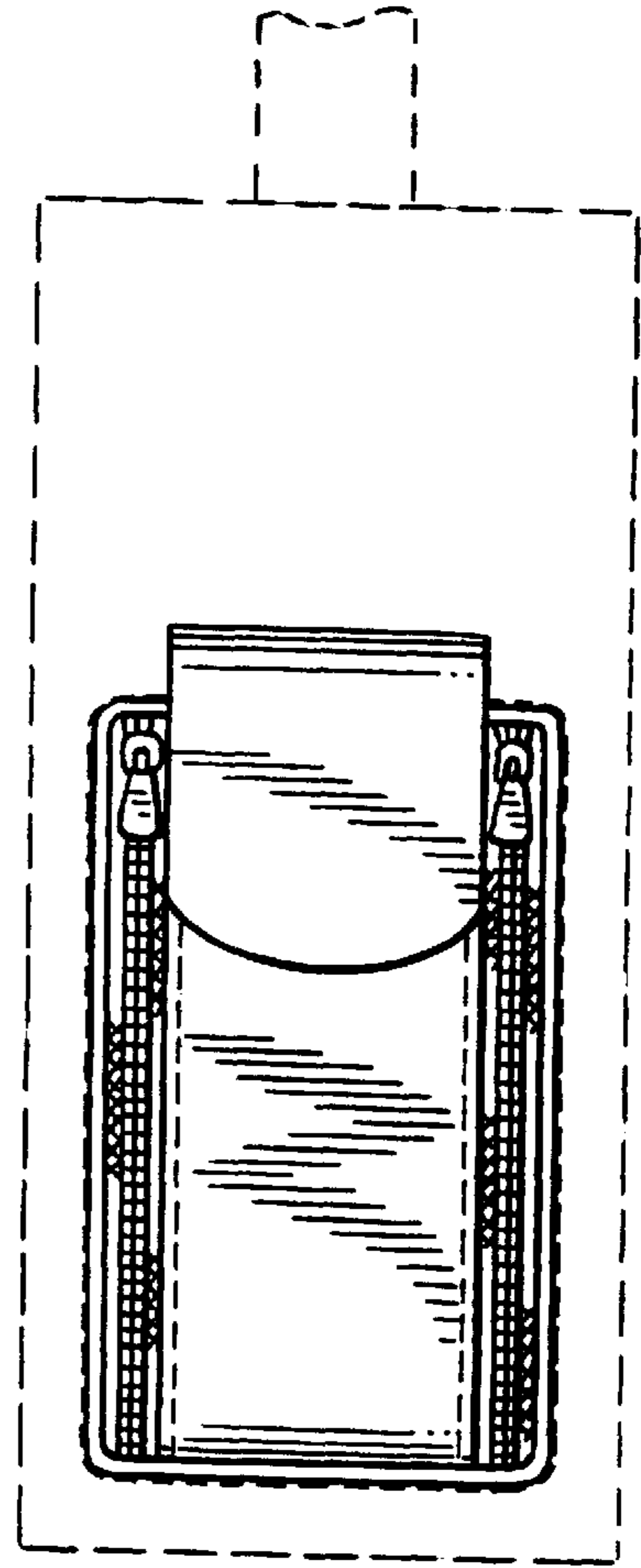


FIG. 39

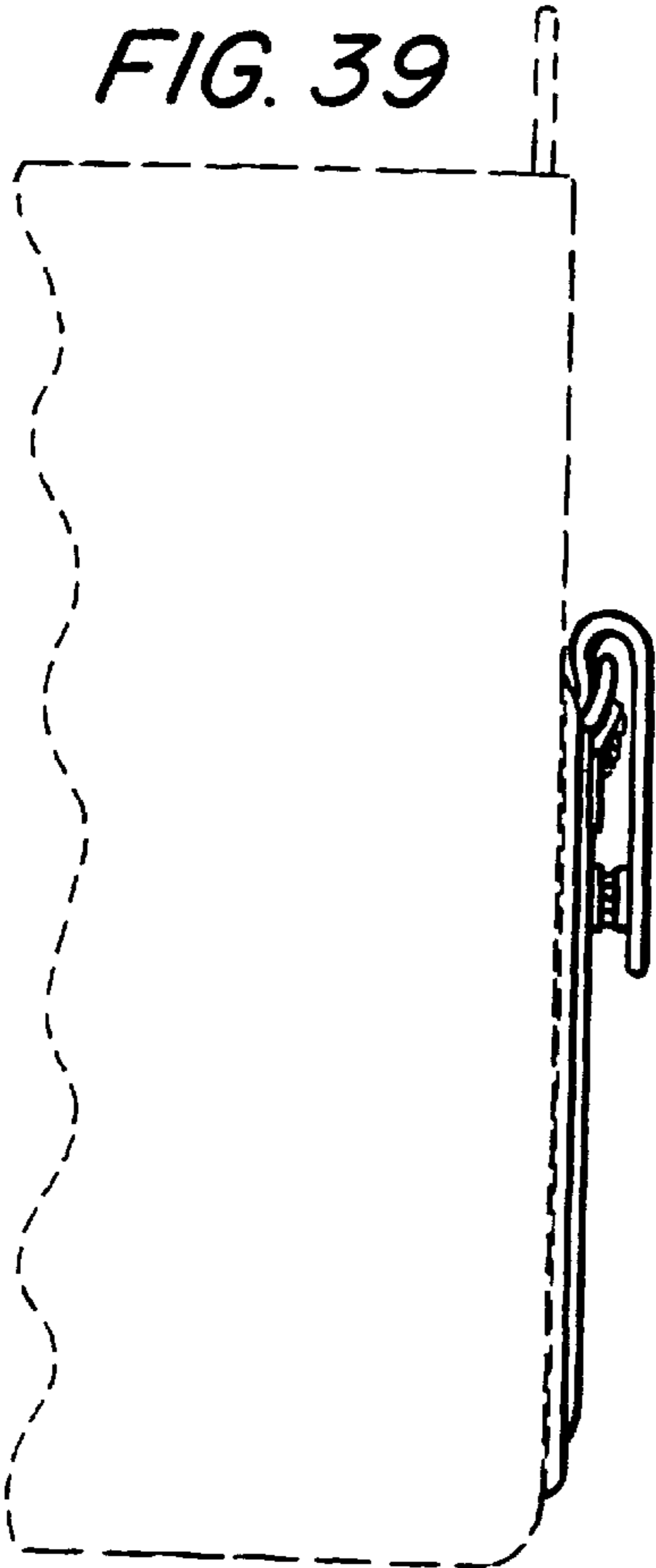


FIG. 38

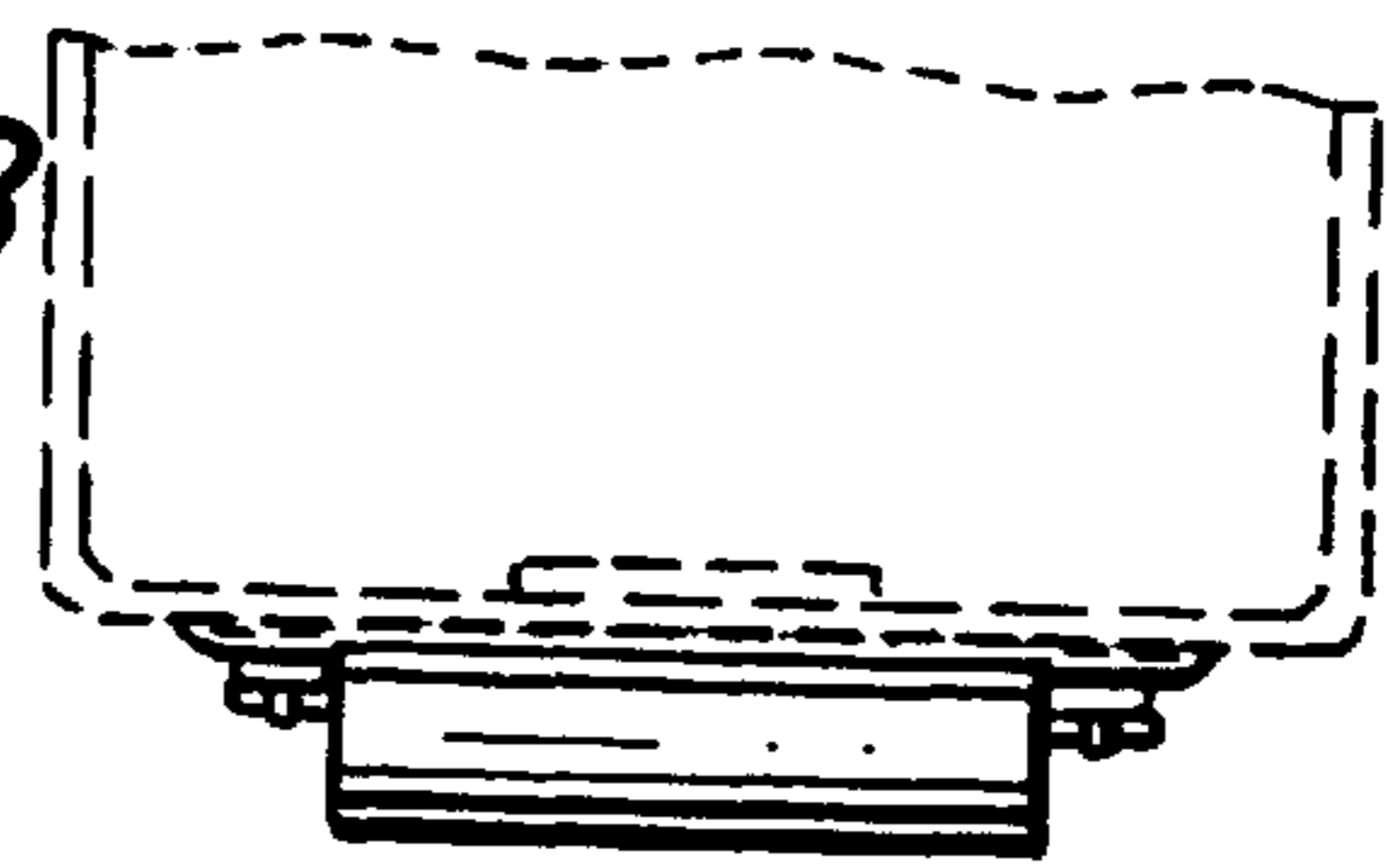


FIG. 40

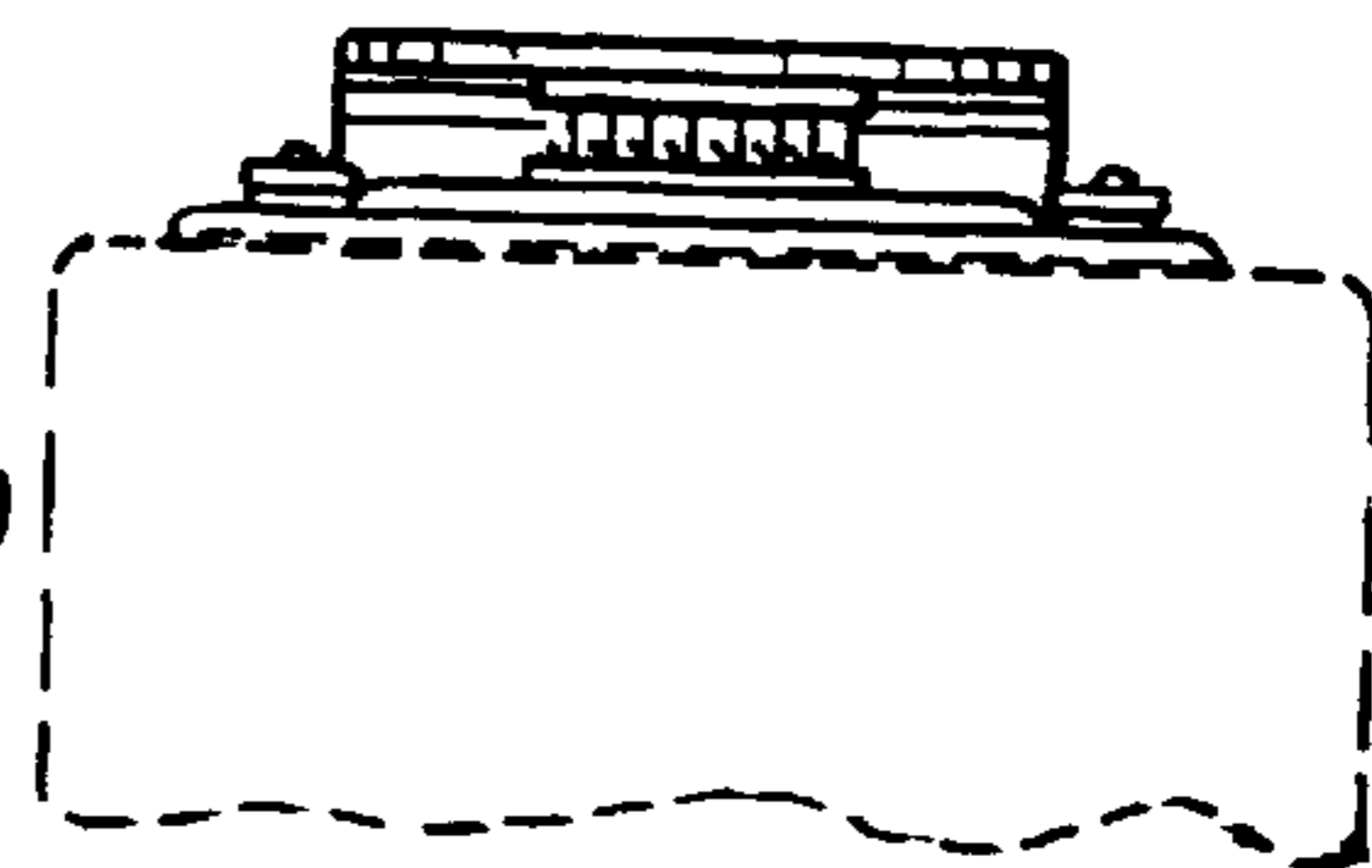


FIG. 41

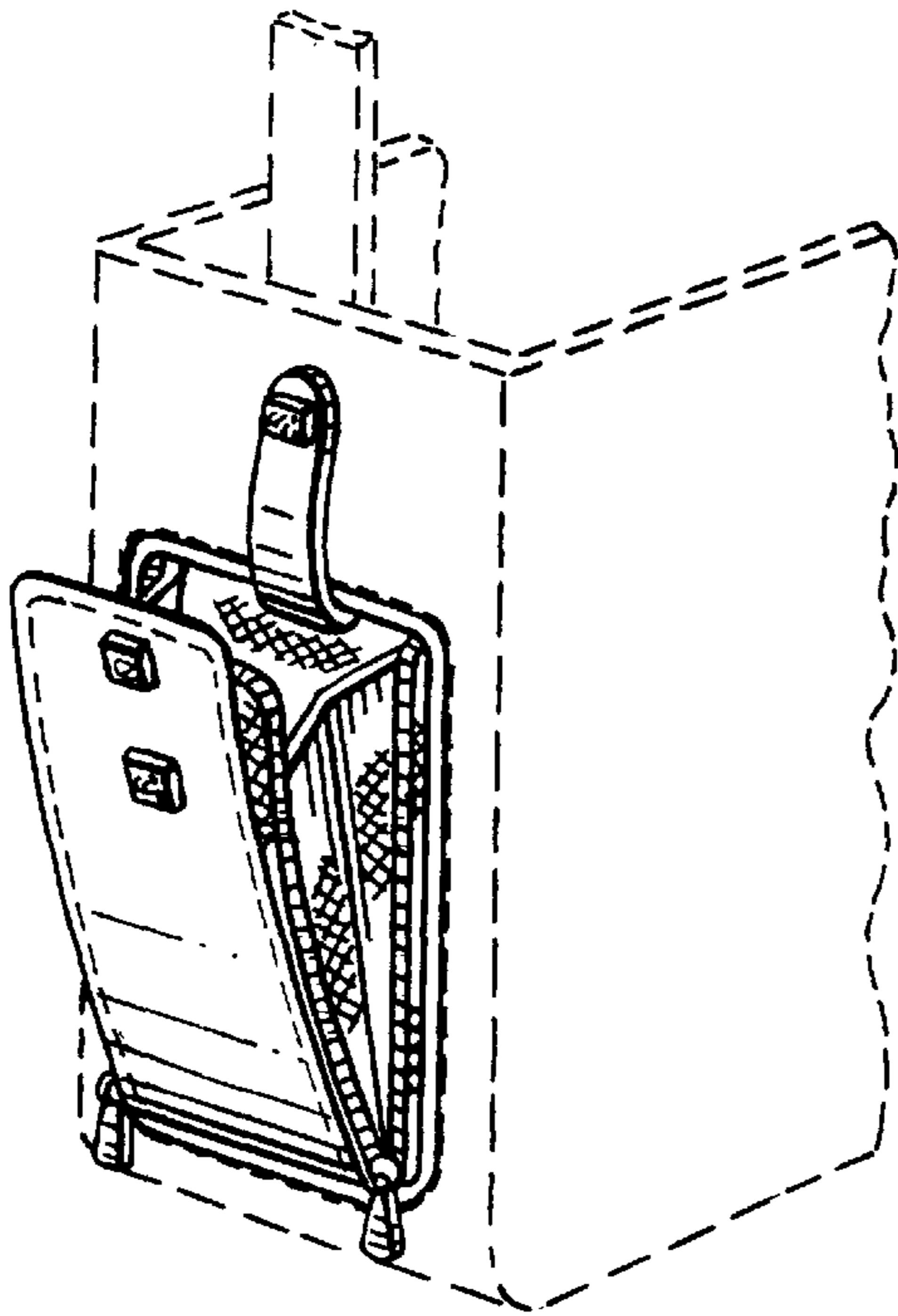


FIG. 42

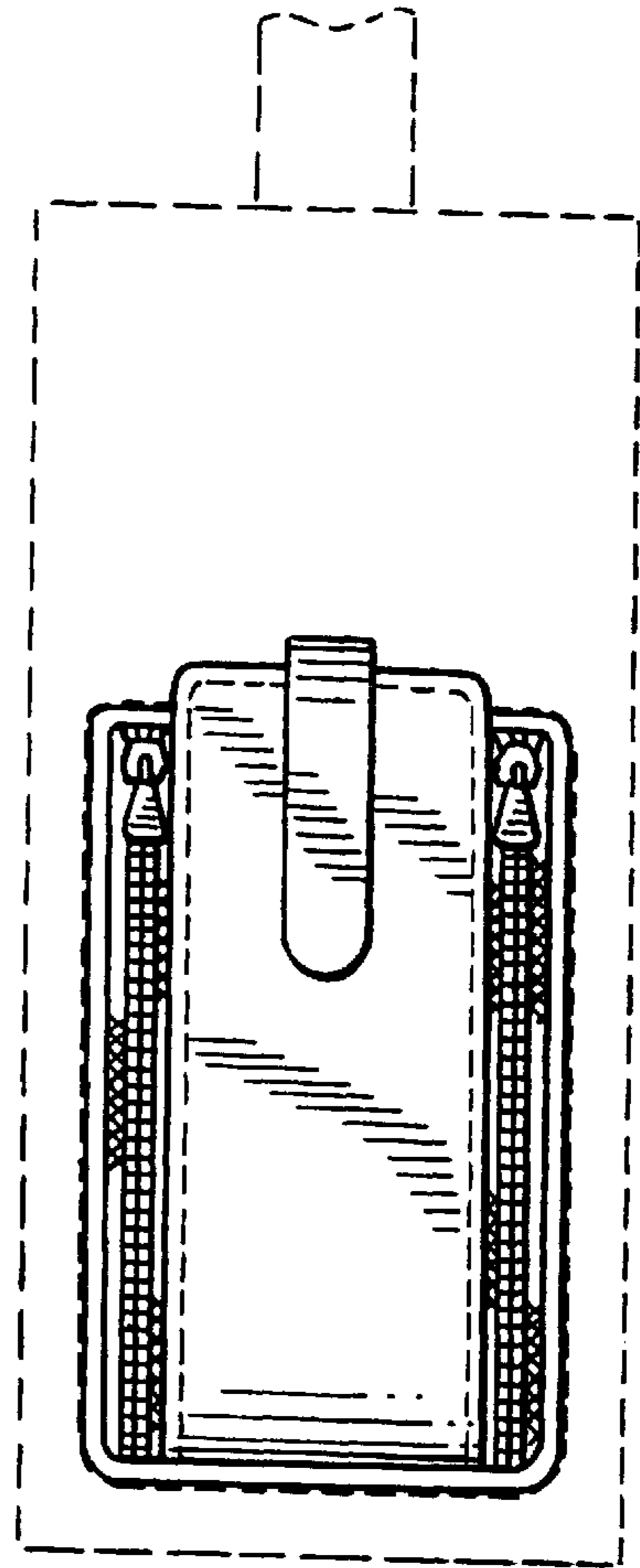


FIG. 44

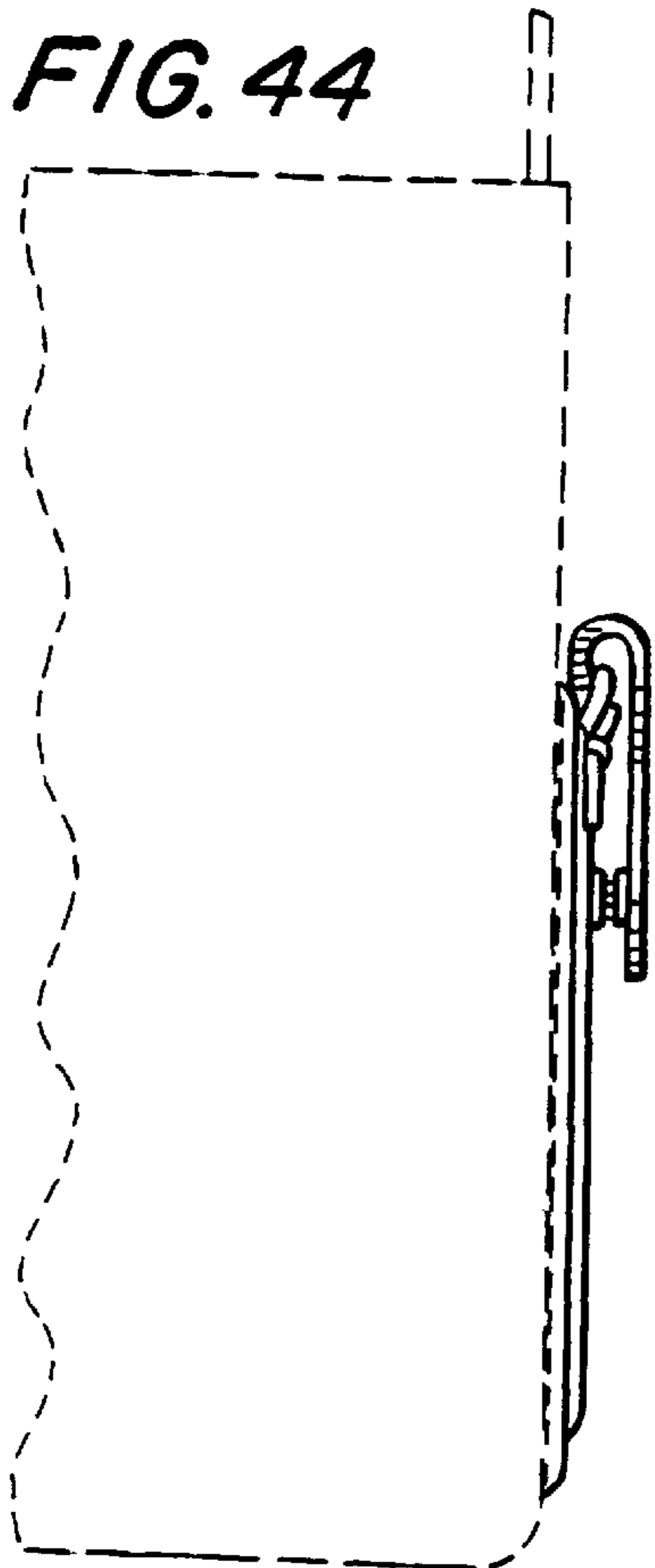


FIG. 43

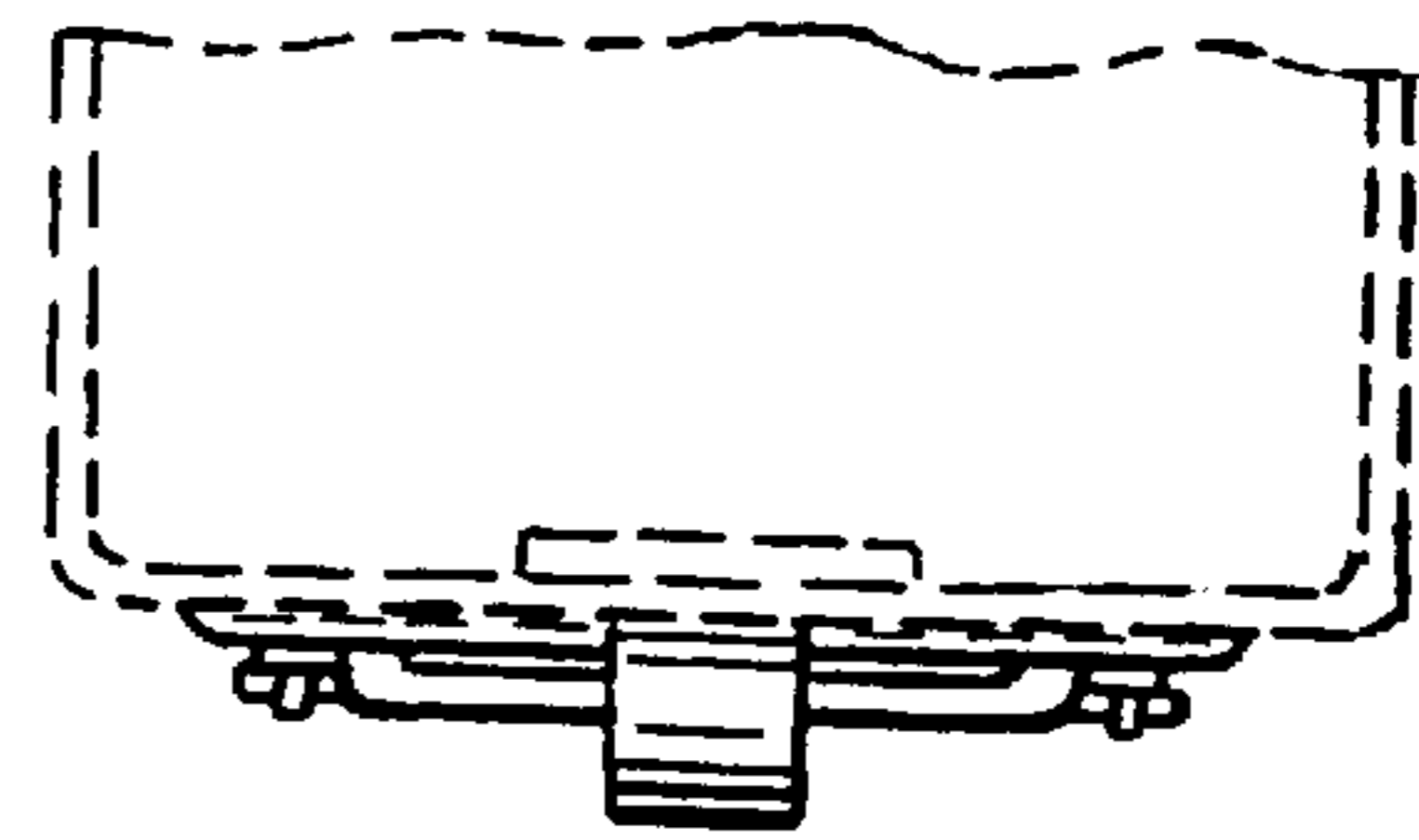


FIG. 45

