



US00D472713S

(12) **United States Design Patent**
Lee

(10) **Patent No.:** **US D472,713 S**

(45) **Date of Patent:** **** Apr. 8, 2003**

(54) **PULL ROD OF LUGGAGE**

(75) Inventor: **Yu Wen Lee, Chang Hua Hsien (TW)**

(73) Assignee: **Hando Industrial Co., Ltd., Chang Hua Hsien (TW)**

(**) Term: **14 Years**

(21) Appl. No.: **29/160,984**

(22) Filed: **May 21, 2002**

(51) **LOC (7) Cl.** **03-99**

(52) **U.S. Cl.** **D3/318**

(58) **Field of Search** D3/318, 320, 323;
D8/302, 316, 319, 320, 321; D34/24, 26;
190/18 A, 39, 115, 102, 113; 224/153;
16/113.1, 405; 280/37, 40, 47.315, 47.371,
655

(56) **References Cited**

U.S. PATENT DOCUMENTS

- D370,997 S * 6/1996 Hsieh D3/318
- 5,653,319 A * 8/1997 Wang 190/39 X
- D398,125 S * 9/1998 Rekuc et al. D34/26

- 6,176,357 B1 * 1/2001 Kuo 190/115 X
- D440,726 S * 4/2001 Wang D34/24
- 6,345,414 B1 * 2/2002 Chen 16/113.1

* cited by examiner

Primary Examiner—Louis S. Zarfaz
Assistant Examiner—Monica A. Weingart
(74) *Attorney, Agent, or Firm*—Harrison & Egbert

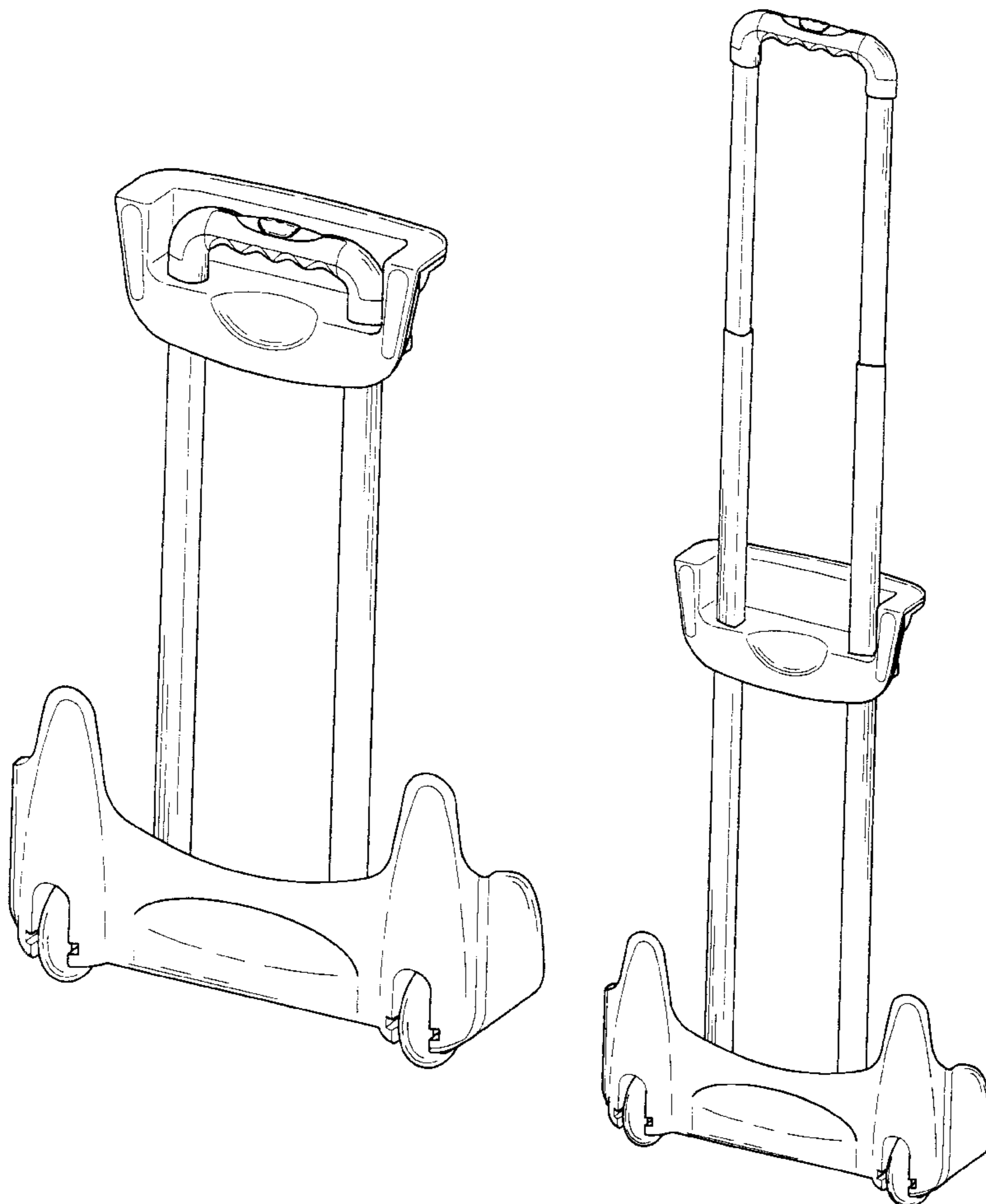
(57) **CLAIM**

I claim the ornamental design for a pull rod of luggage, as shown and described.

DESCRIPTION

FIG. 1 is an upper perspective view of the pull rod of luggage showing my design.
FIG. 2 is a front view thereof;
FIG. 3 is a back view thereof;
FIG. 4 is a side view thereof;
FIG. 5 is an opposite side view thereof;
FIG. 6 is a top view thereof;
FIG. 7 is a bottom view thereof; and,
FIG. 8 is a perspective view thereof showing the extended handle.

1 Claim, 5 Drawing Sheets



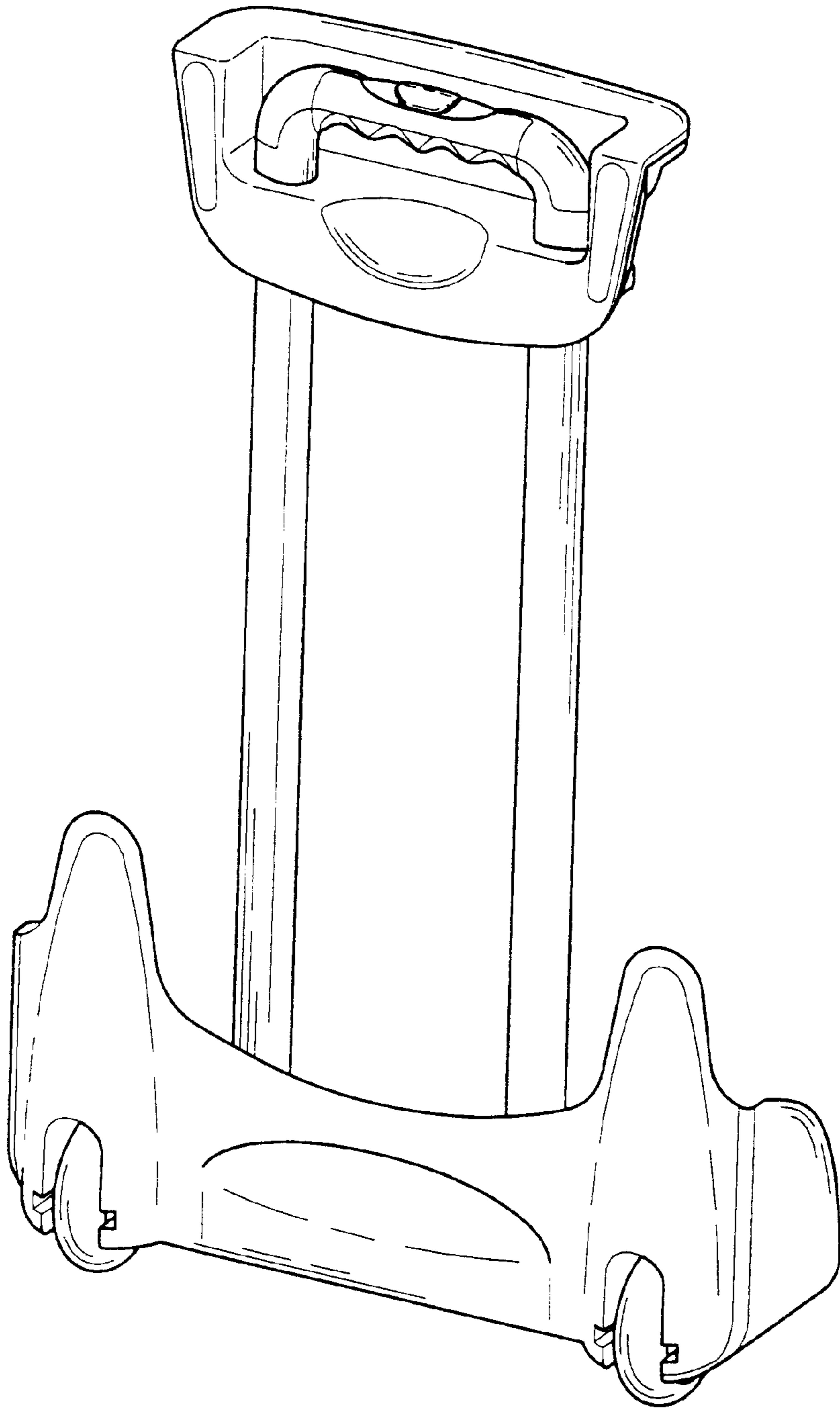


FIG.1

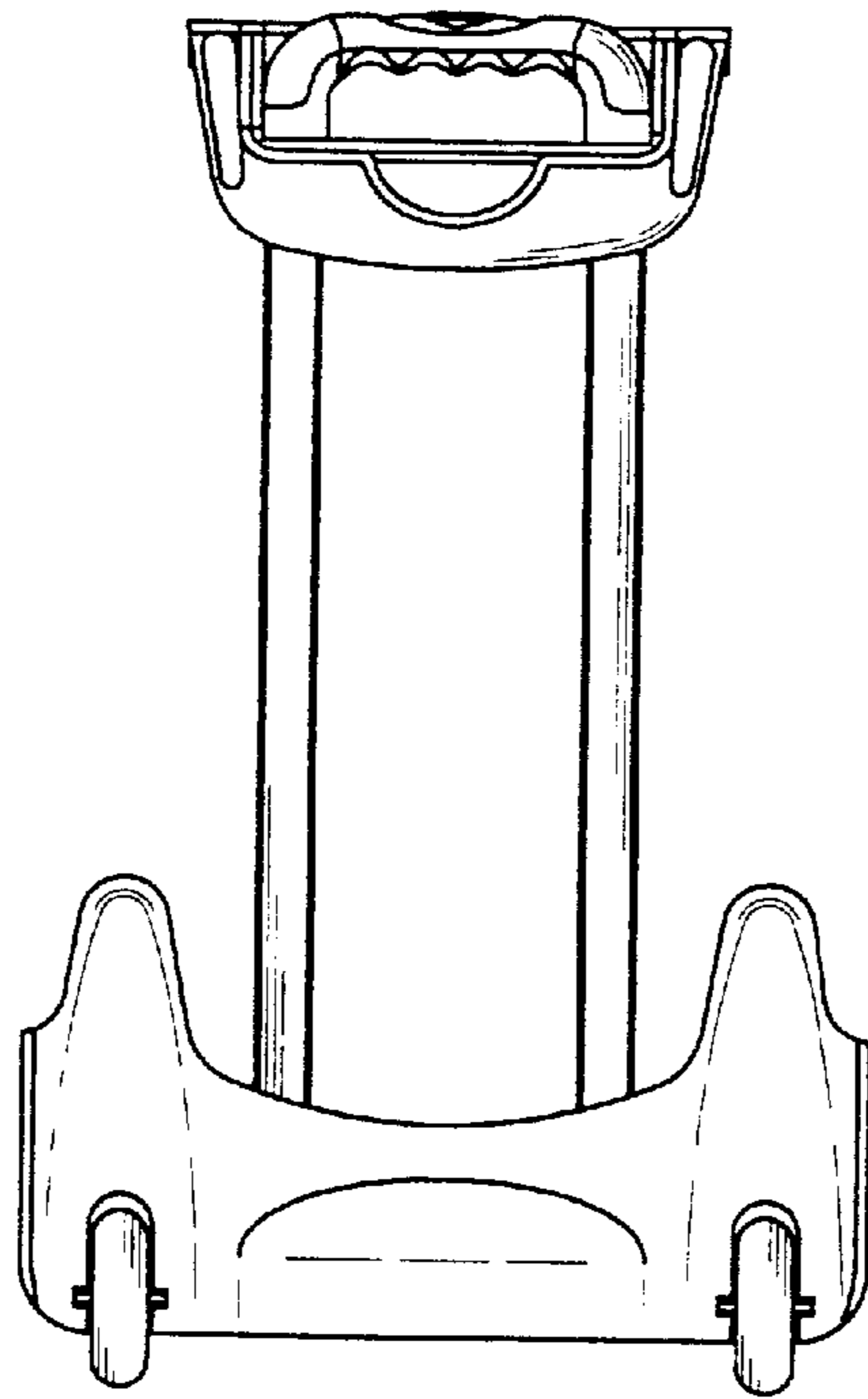


FIG. 2

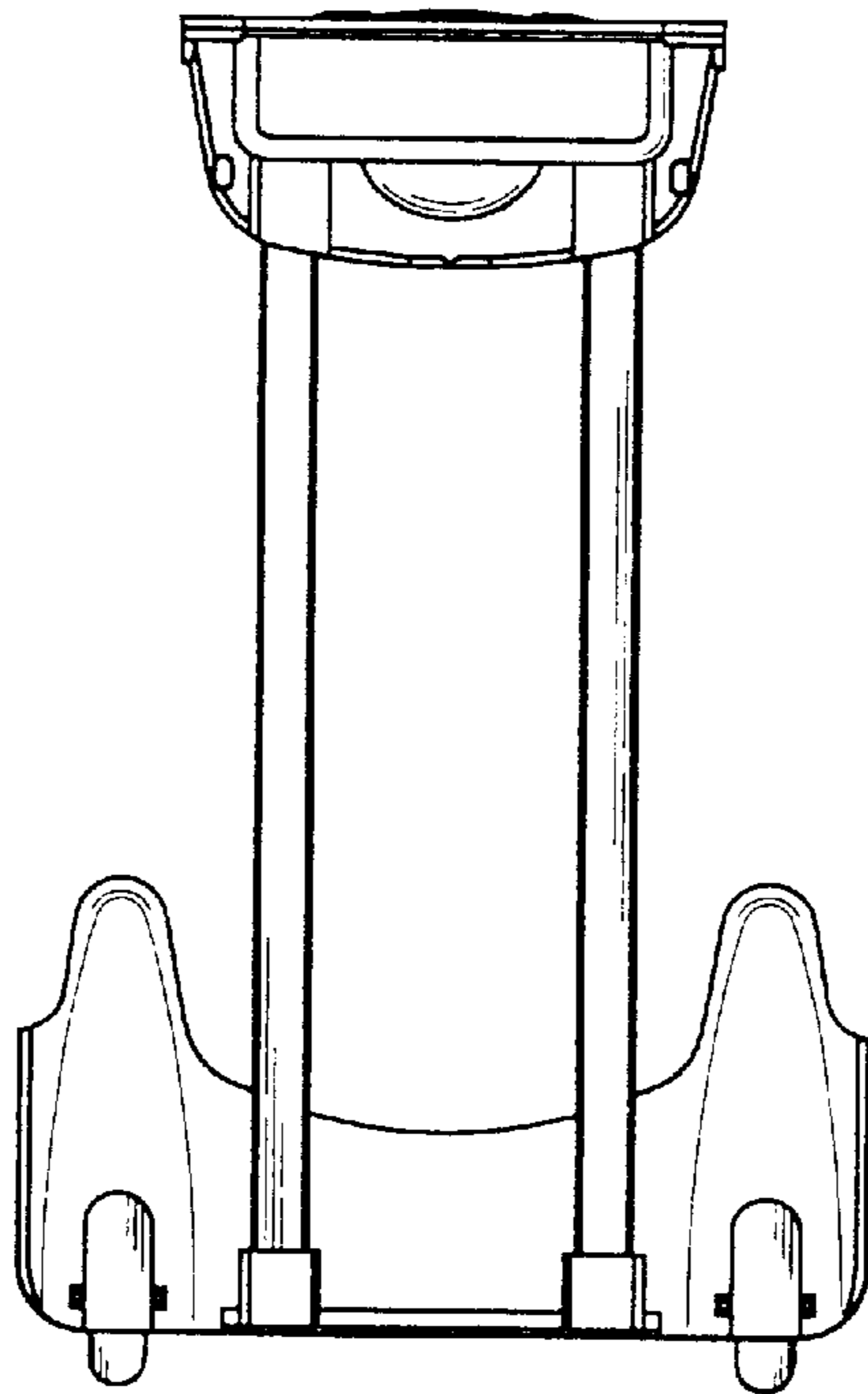


FIG. 3

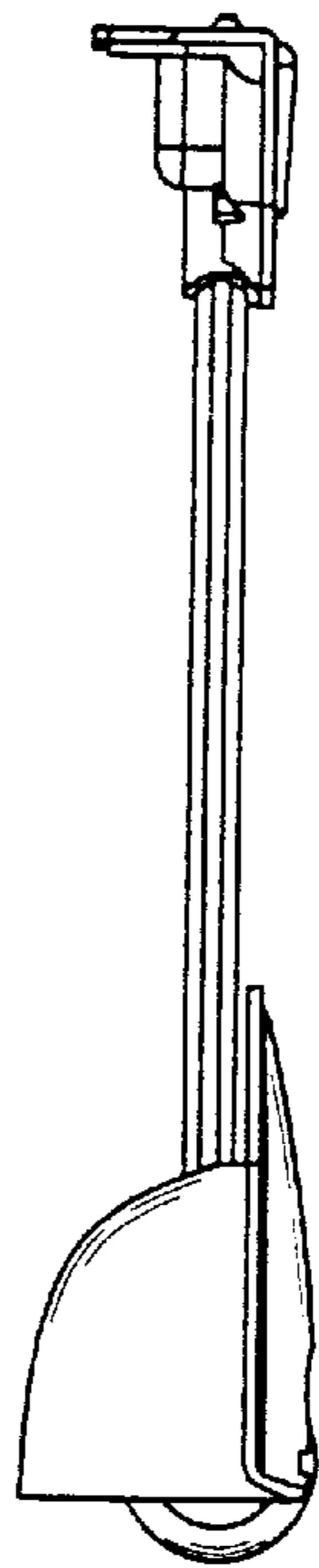


FIG.4

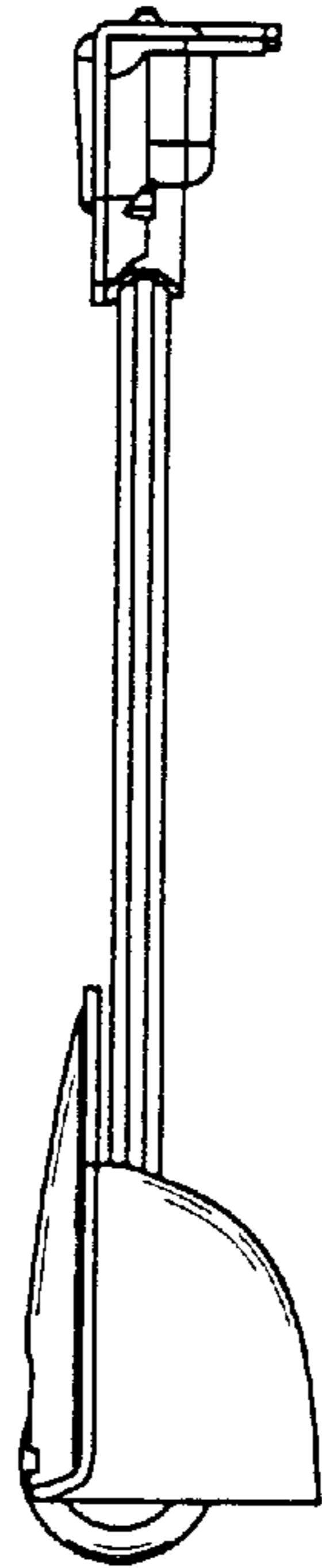


FIG.5

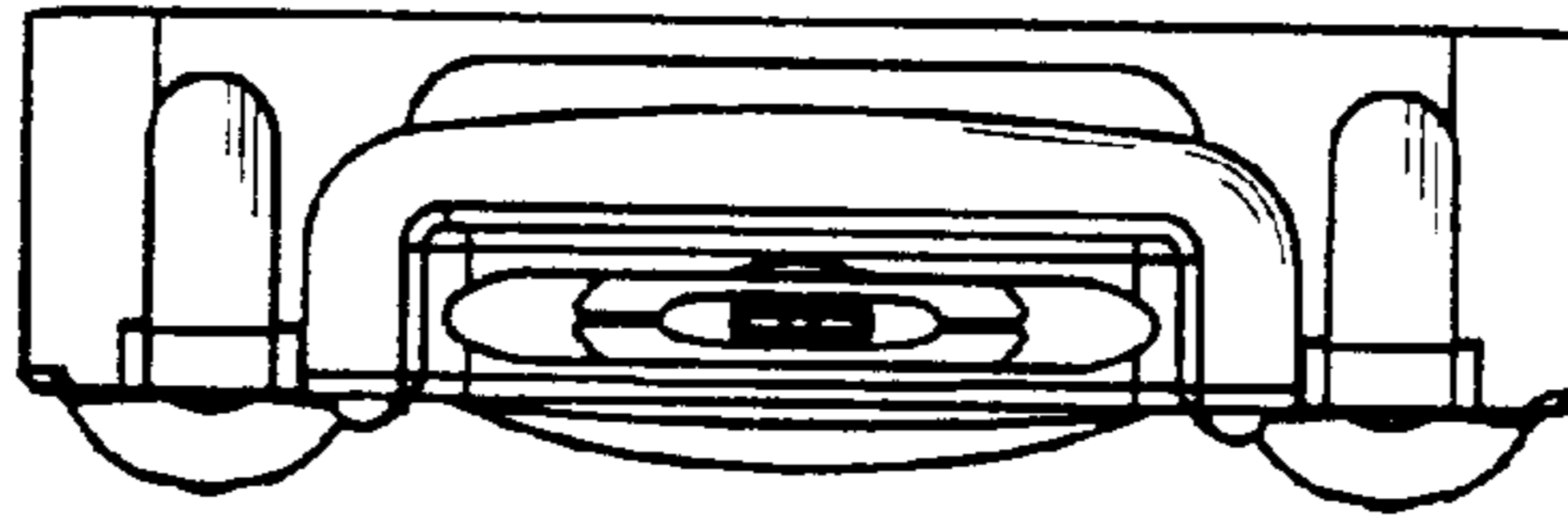


FIG. 6

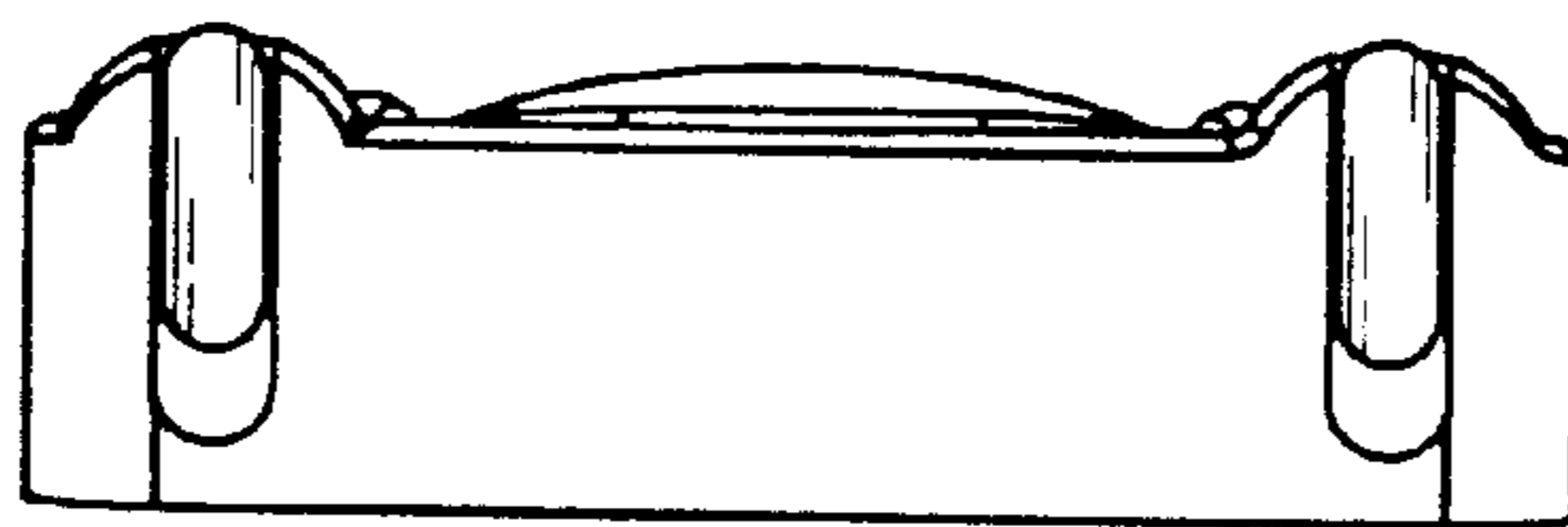


FIG. 7

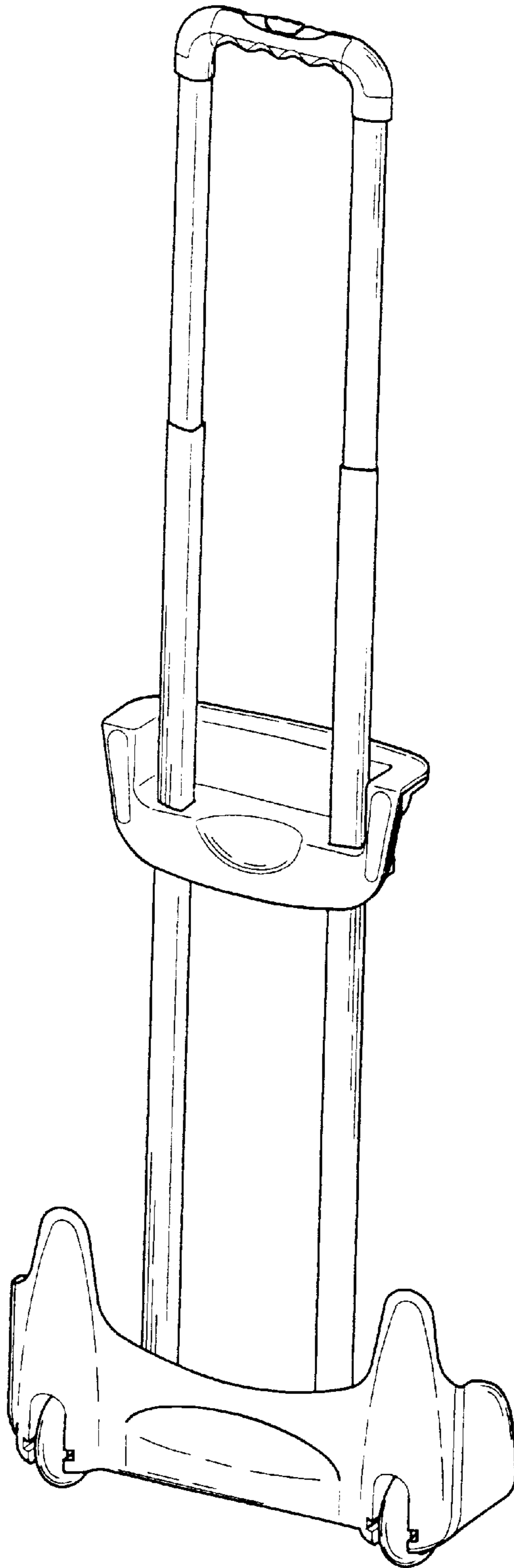


FIG. 8