



US00D472709S

(12) **United States Design Patent**  
**Vazquez**

(10) **Patent No.:** **US D472,709 S**

(45) **Date of Patent:** **\*\* Apr. 8, 2003**

- (54) **TOTE BAG WITH VARIABLE GATHERS AND EXPOSED STRAP**
- (75) Inventor: **Maximino Vazquez**, New York, NY (US)
- (73) Assignee: **Maxworld Inc.**, New York, NY (US)
- (\*\*) Term: **14 Years**
- (21) Appl. No.: **29/142,430**
- (22) Filed: **May 25, 2001**

*Primary Examiner*—Louis S. Zarfes  
*Assistant Examiner*—Monica A. Weingart  
 (74) *Attorney, Agent, or Firm*—Darby & Darby P.C.

(57) **CLAIM**

The ornamental design for a tote bag with variable gathers and exposed strap, as shown and described.

**DESCRIPTION**

FIG. 1 is a front elevational view of a tote bag with variable gathers and exposed strap in a substantially uncompressed state and having a carry strap; the rear elevational view being a mirror image thereof;

FIG. 2 is a front elevational view of the tote bag with variable gathers and exposed strap in a partially compressed state, the rear elevational view being a mirror image thereof;

FIG. 3 is a front elevational view of the tote bag with variable gathers and exposed strap in a substantially compressed state, the rear elevational view being a mirror image thereof;

FIG. 4 is a left side view of FIG. 1, the right side view being the mirror image thereof;

FIG. 5 is the left side view of FIG. 2; the right side view being the mirror image thereof;

FIG. 6 is the left side view of FIG. 3; the right side view being the mirror image thereof;

FIG. 7 is a bottom perspective view of FIG. 1;

FIG. 8 is a top perspective view of FIG. 1;

FIG. 9 is a left side perspective view of the tote bag with variable gathers and exposed strap as in FIG. 1, now showing an alternative arrangement in which the bag has shading indicating a first preselected fabric and the straps have shading indicating a second preselected fabric, the right side perspective view being a mirror image thereof;

FIG. 10 is a bottom perspective view of FIG. 9; and,

FIG. 11 is a bottom perspective view of the tote bag with variable gathers and exposed strap as in FIG. 1; now showing the strap not extending around the bottom of the bag.

The broken lines shown in the Figures, including the carry straps and stitching are to show environment only and are not part of the claimed design.

**Related U.S. Application Data**

(63) Continuation-in-part of application No. 29/134,502, filed on Dec. 22, 2000, now Pat. No. Des. 460,616.

(51) **LOC (7) Cl.** ..... **03-01**

(52) **U.S. Cl.** ..... **D3/303**

(58) **Field of Search** ..... D3/232, 233, 244, D3/245, 246, 290, 303; 150/107, 111; 190/103, 107, 109; 383/2, 4, 6, 16, 25, 38, 40, 74, 104, 110

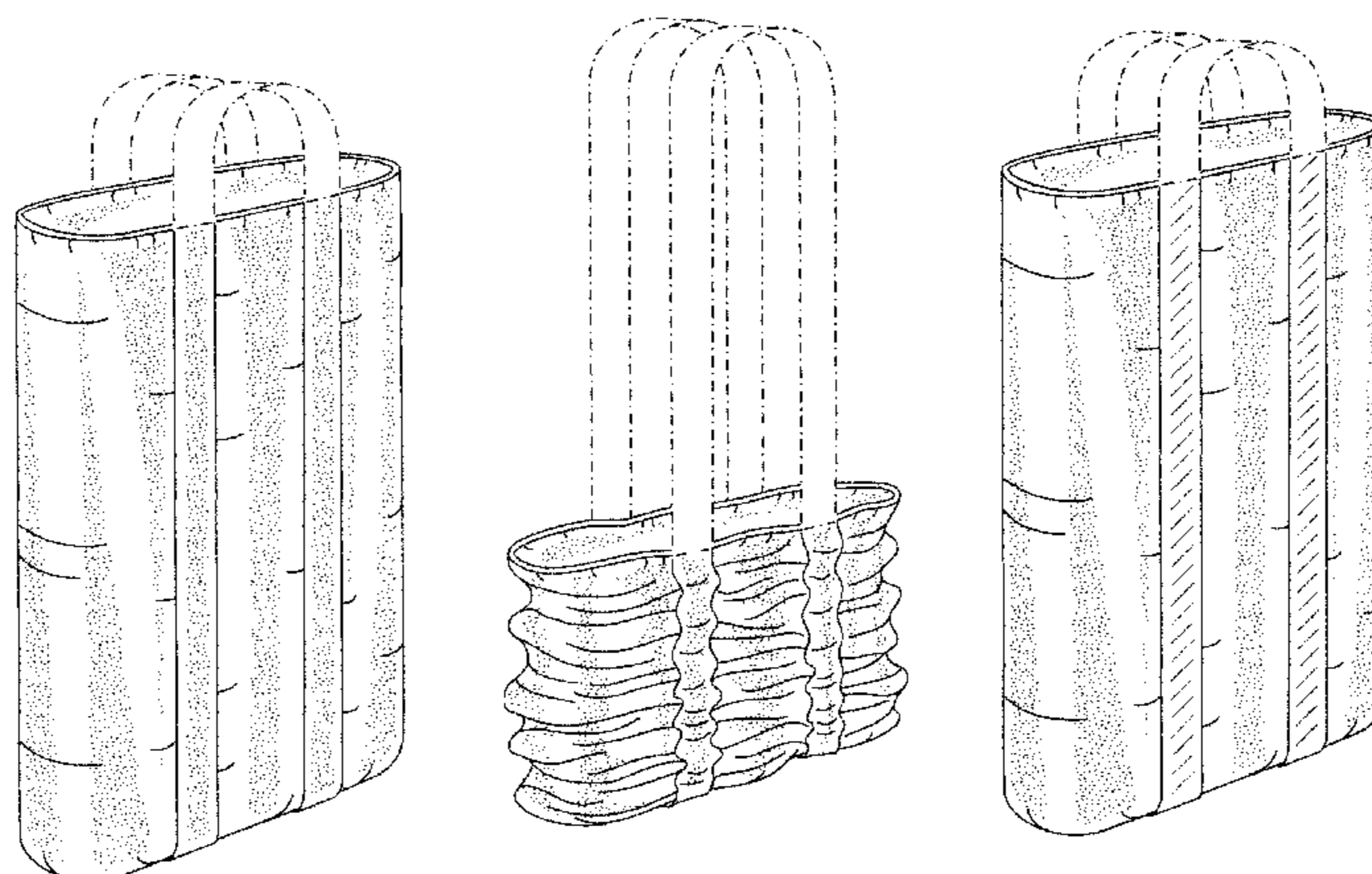
(56) **References Cited**

**U.S. PATENT DOCUMENTS**

1,207,533	A	12/1916	Gamble	.....	383/38
1,767,274	A	* 6/1930	Broderick	.....	383/2
2,164,641	A	* 7/1939	Davenport	.....	383/2
2,575,893	A	11/1951	Seamon	.....	383/2
3,746,066	A	7/1973	McIntyre	.....	150/33
4,062,392	A	* 12/1977	Ishii	.....	383/16 X
4,196,534	A	4/1980	Shibamoto	.....	40/10
4,222,468	A	9/1980	DeFries	.....	190/102
4,267,868	A	5/1981	Lowe	.....	383/2
4,361,215	A	* 11/1982	Sawai	.....	383/2 X
D273,833	S	5/1984	Taylor et al.	.....	D3/244
5,050,999	A	9/1991	Van Loon, III	.....	383/76
D331,532	S	* 12/1992	Cohen et al.	.....	383/6 X
5,251,731	A	* 10/1993	Cassese et al.	.....	190/107
D360,712	S	7/1995	Bush	.....	D3/244
D369,467	S	5/1996	Cole	.....	D3/300
D374,975	S	10/1996	Vargas et al.	.....	D3/244
D387,555	S	12/1997	Miller	.....	D3/244
5,765,691	A	6/1998	Hall	.....	383/2 X
6,089,752	A	7/2000	Moore	.....	383/2
D437,481	S	2/2001	Vazquez	.....	D3/244

\* cited by examiner

**1 Claim, 4 Drawing Sheets**



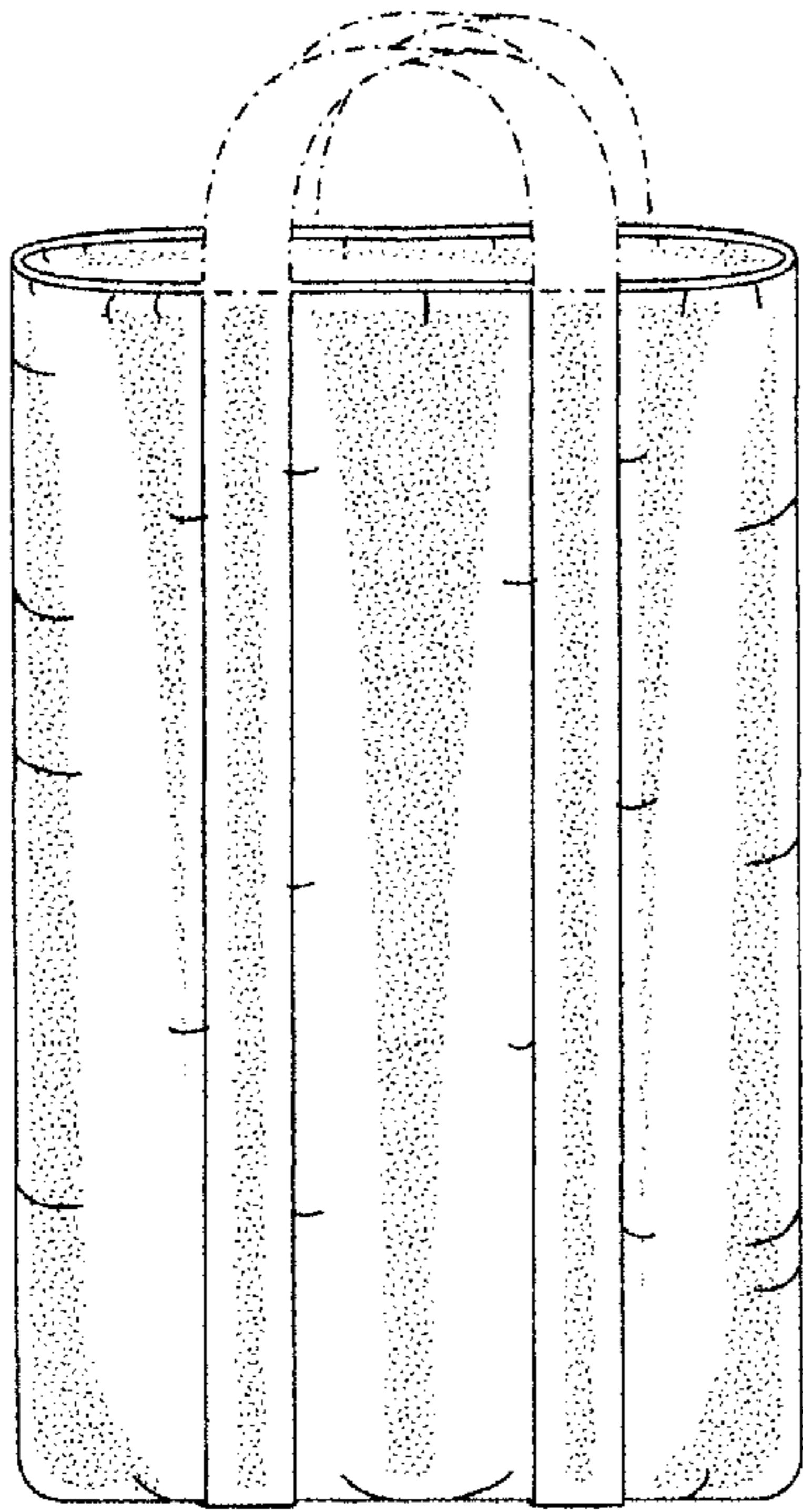


FIG. 1

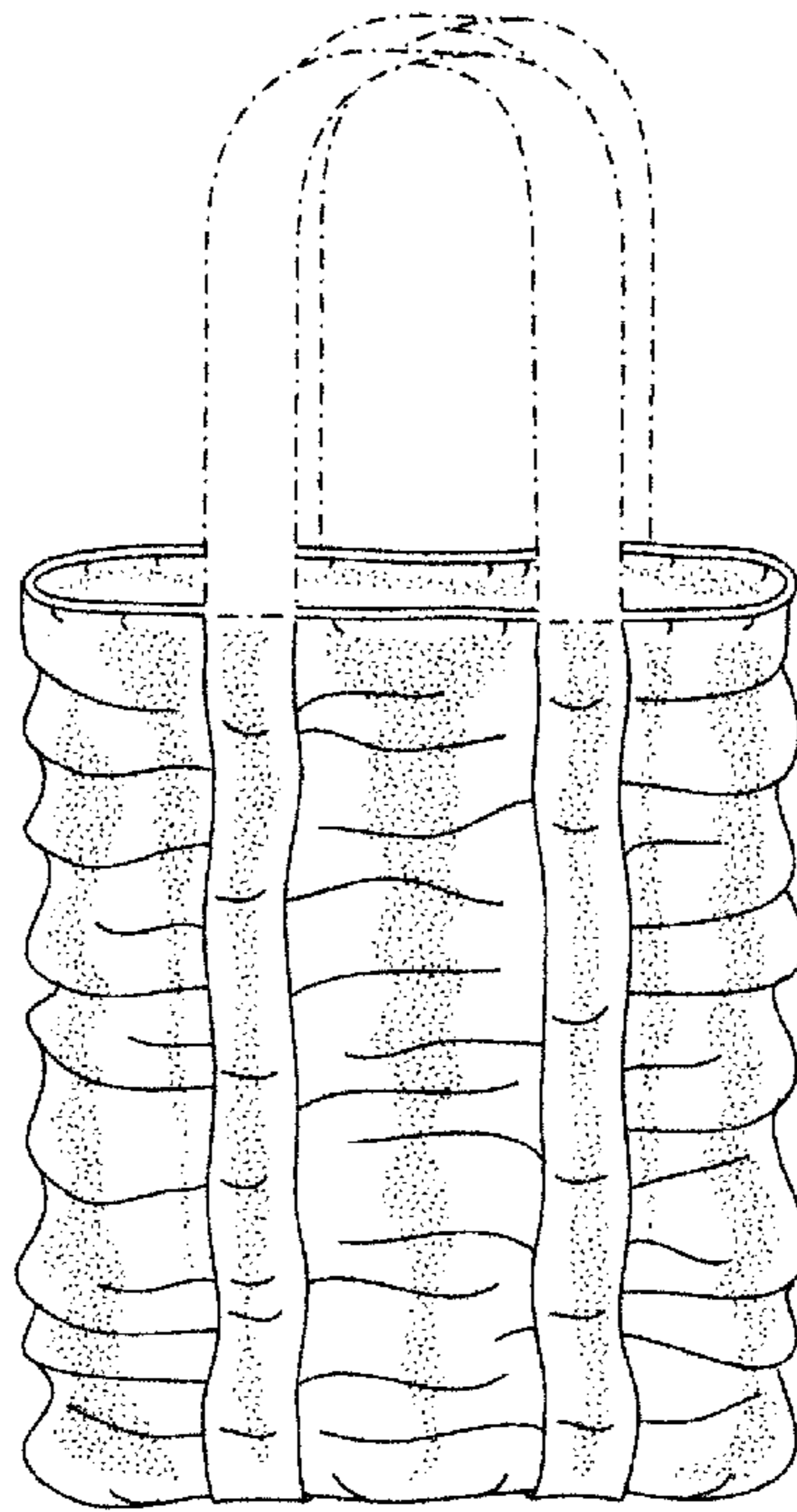


FIG. 2

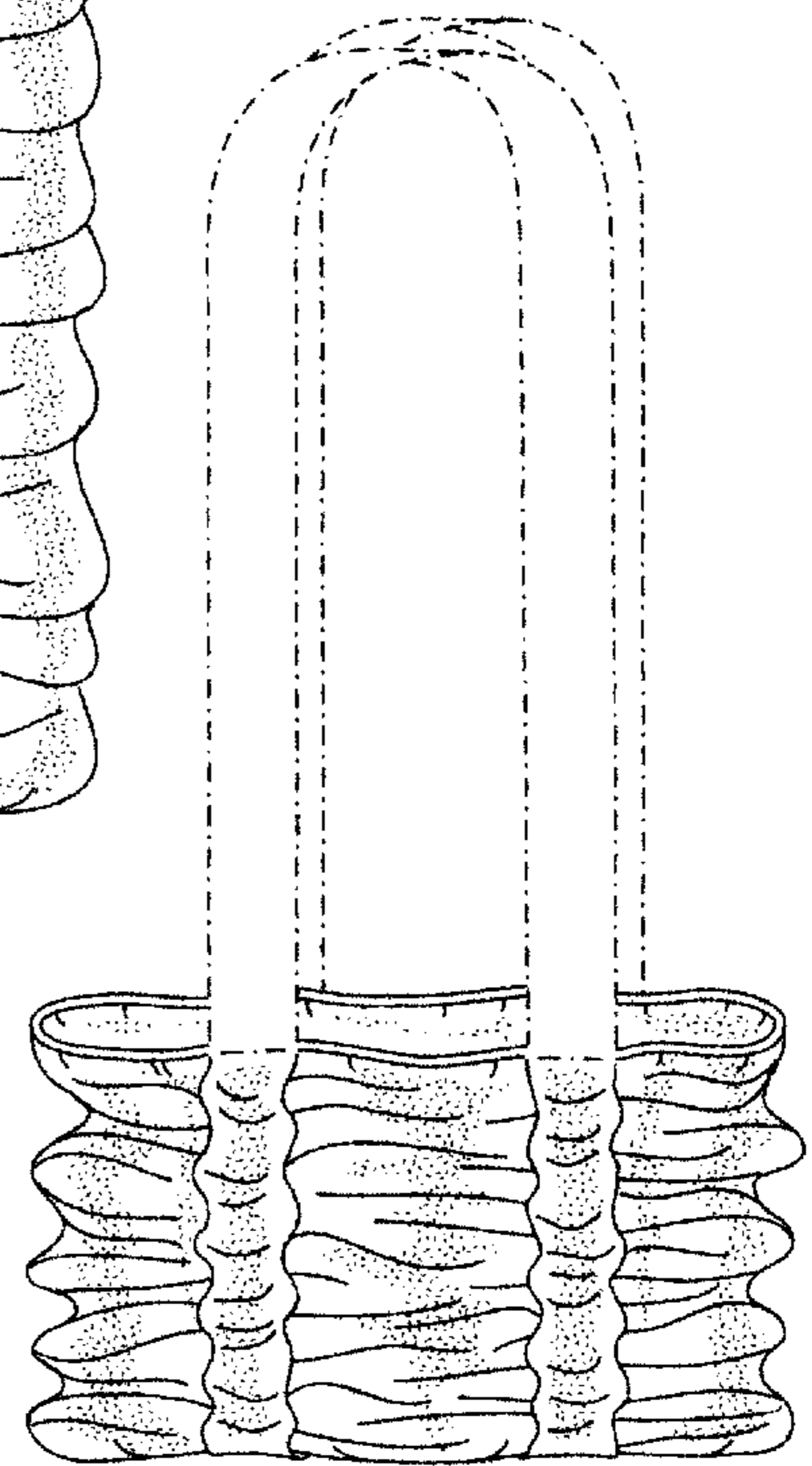


FIG. 3

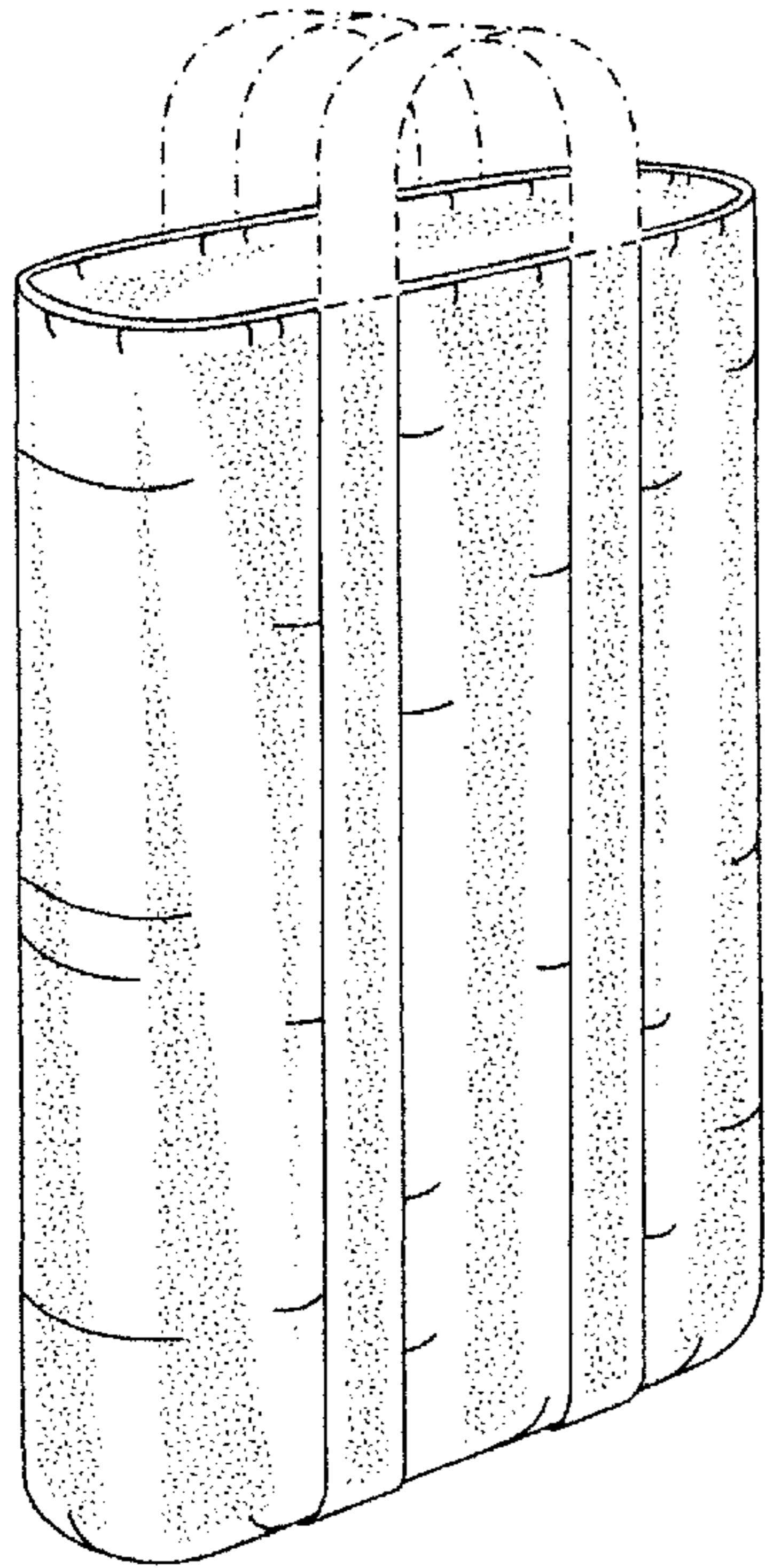


FIG. 4

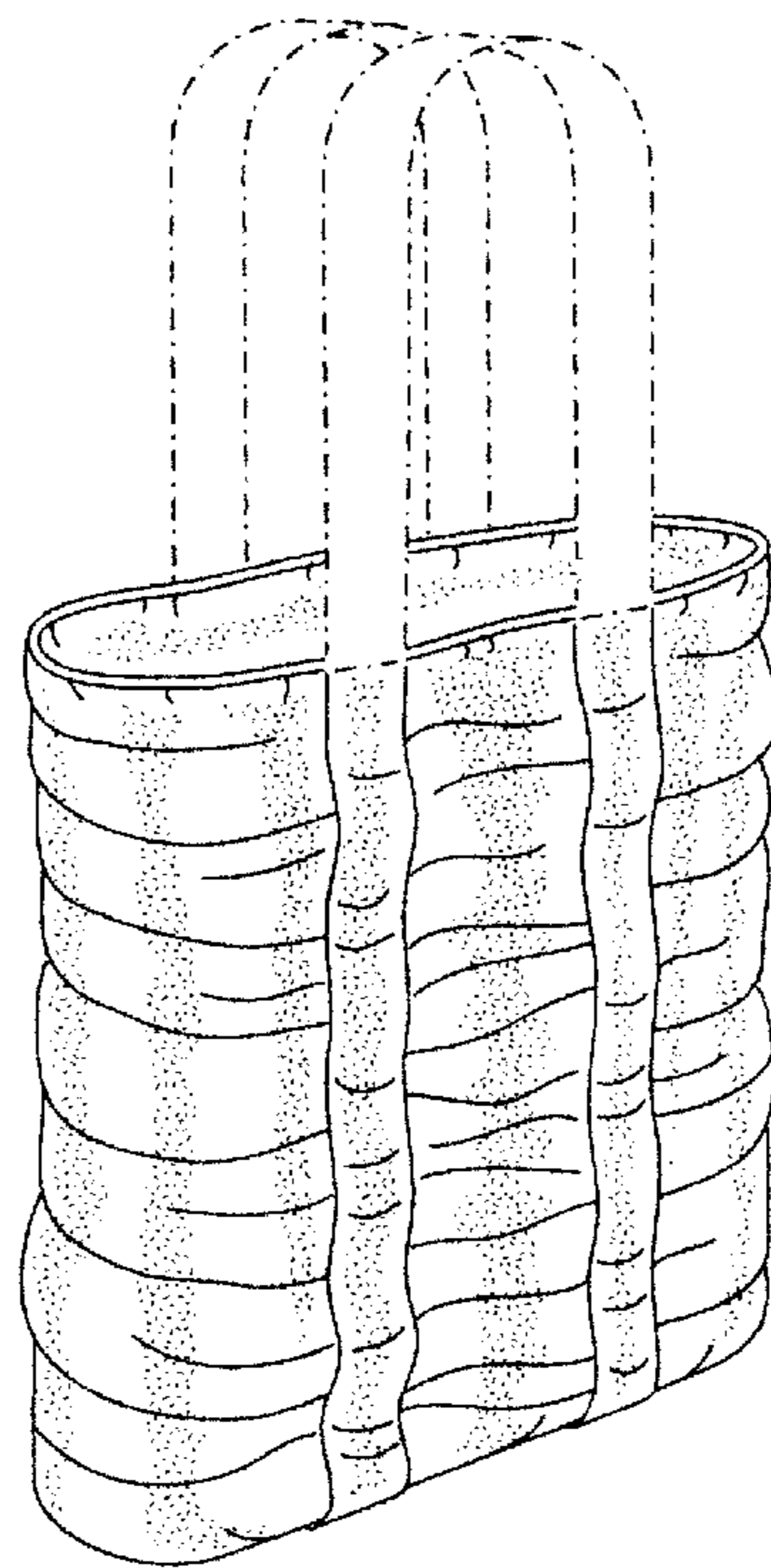


FIG. 5

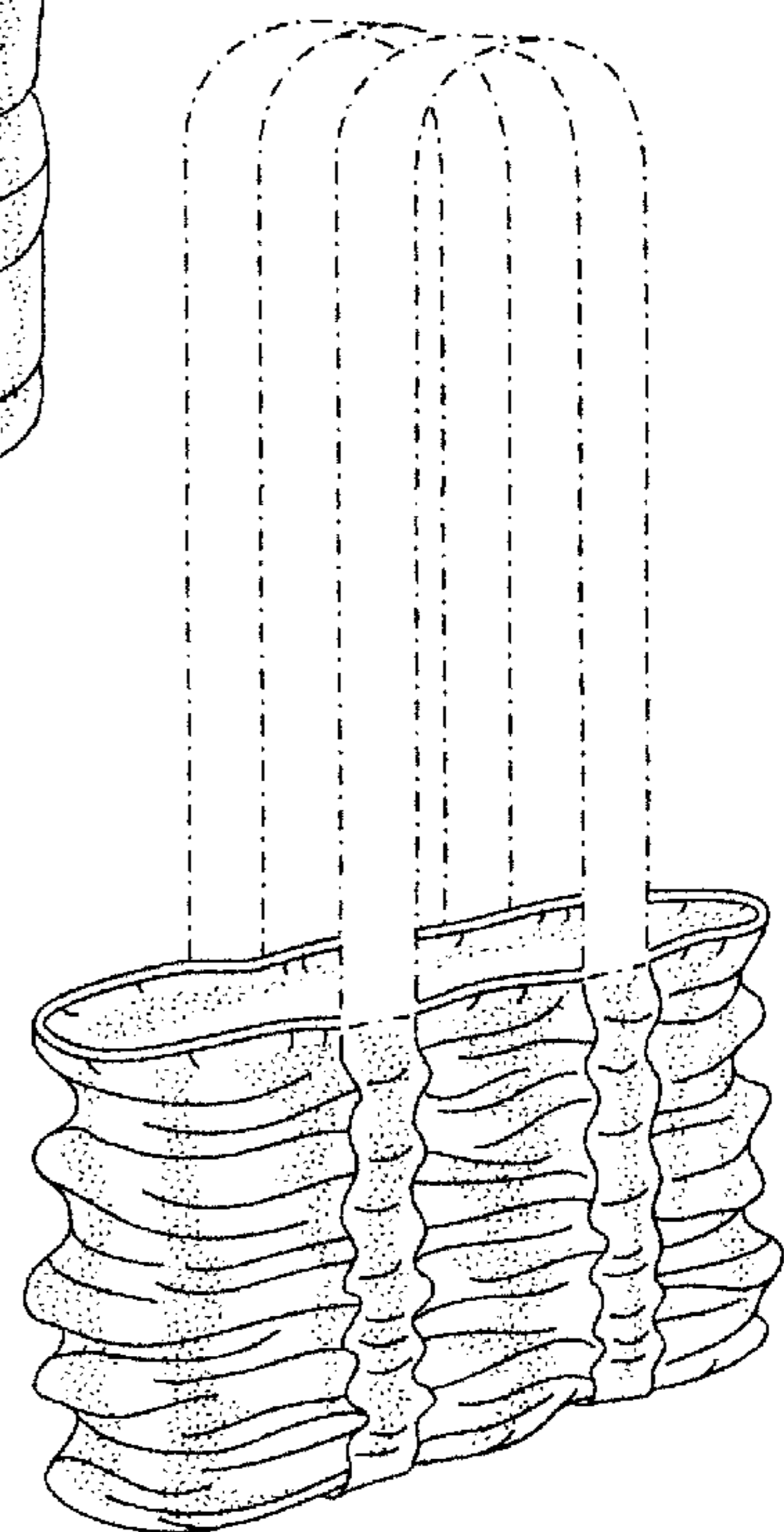


FIG. 6

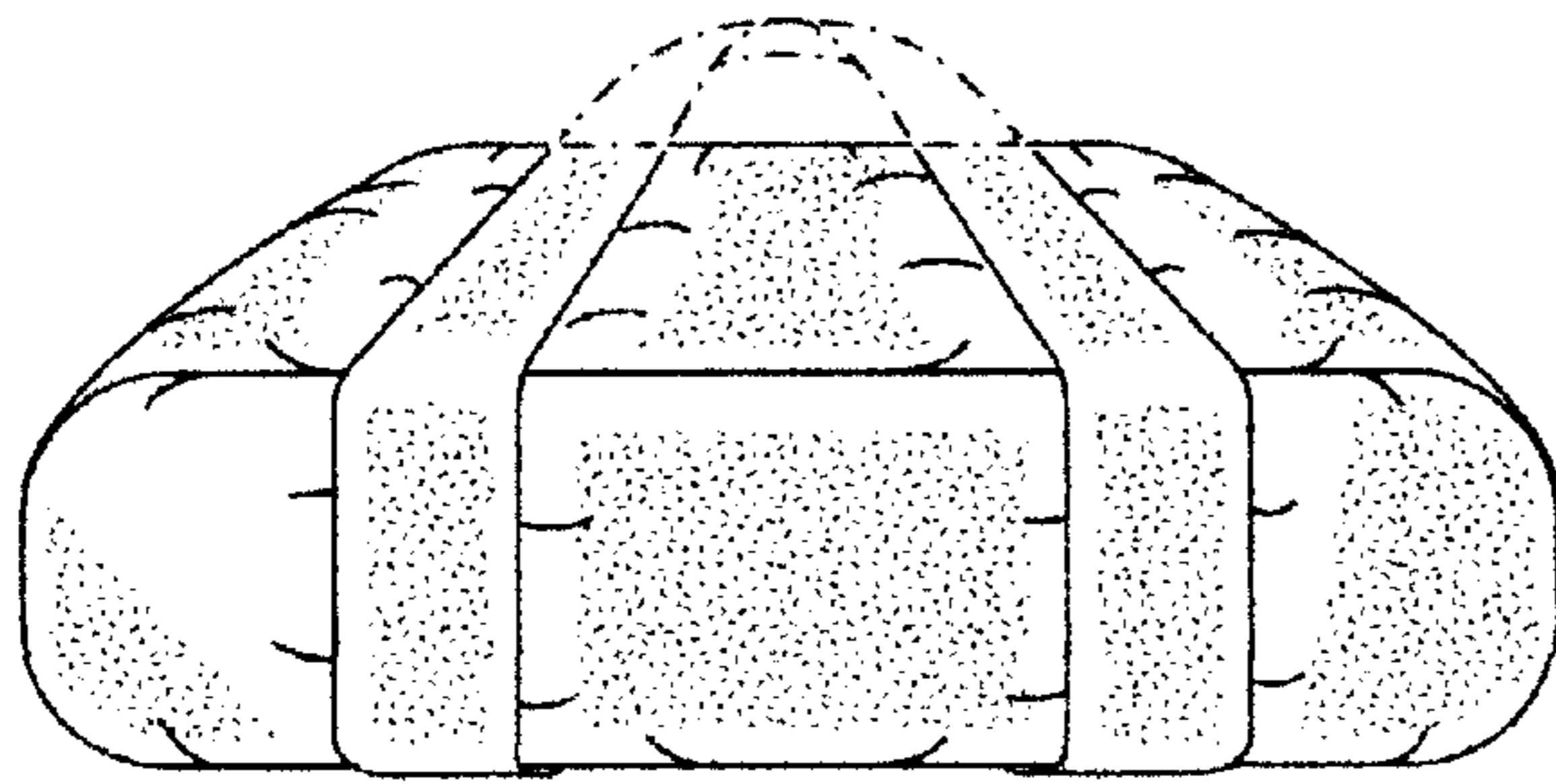


FIG. 7

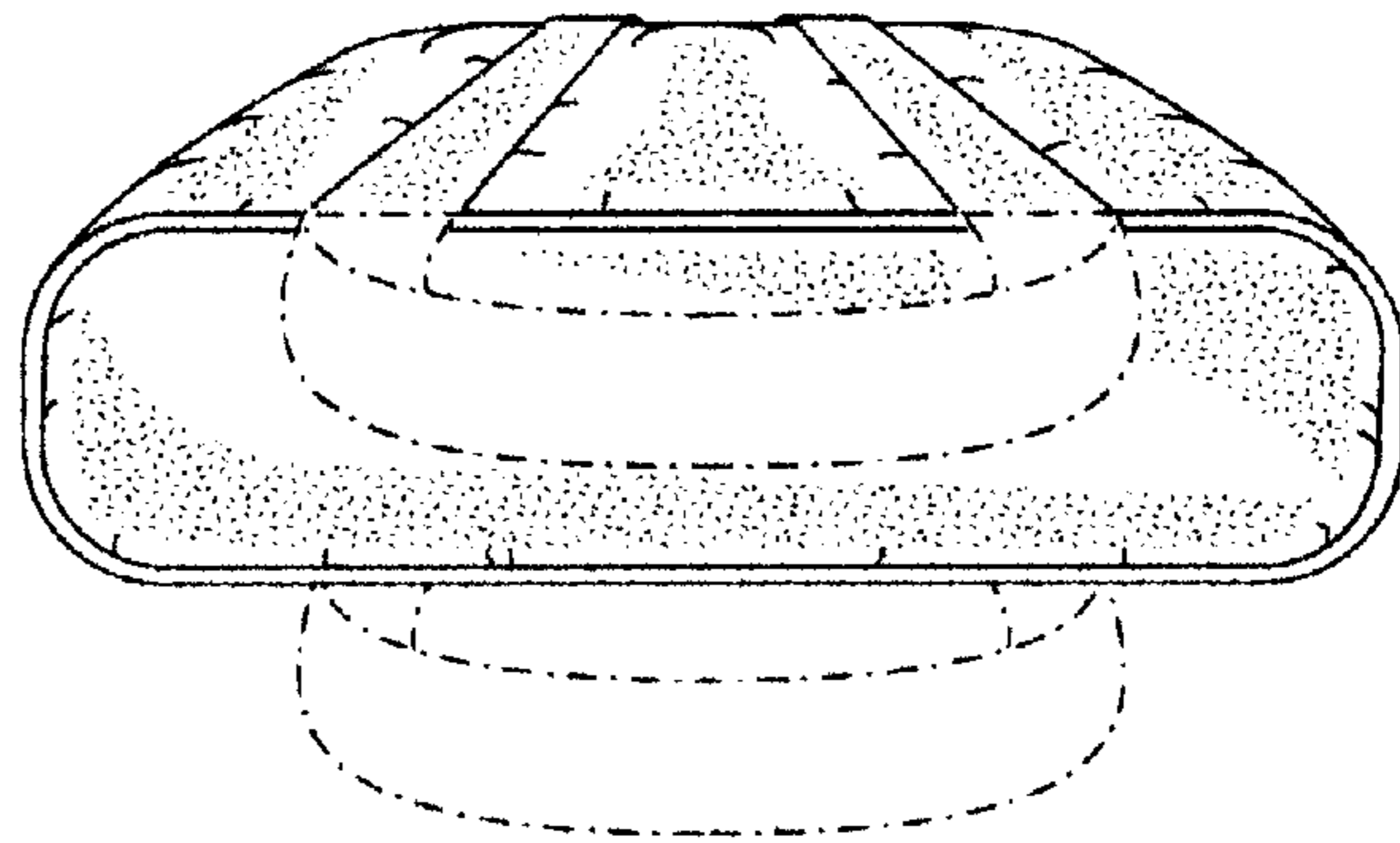


FIG. 8

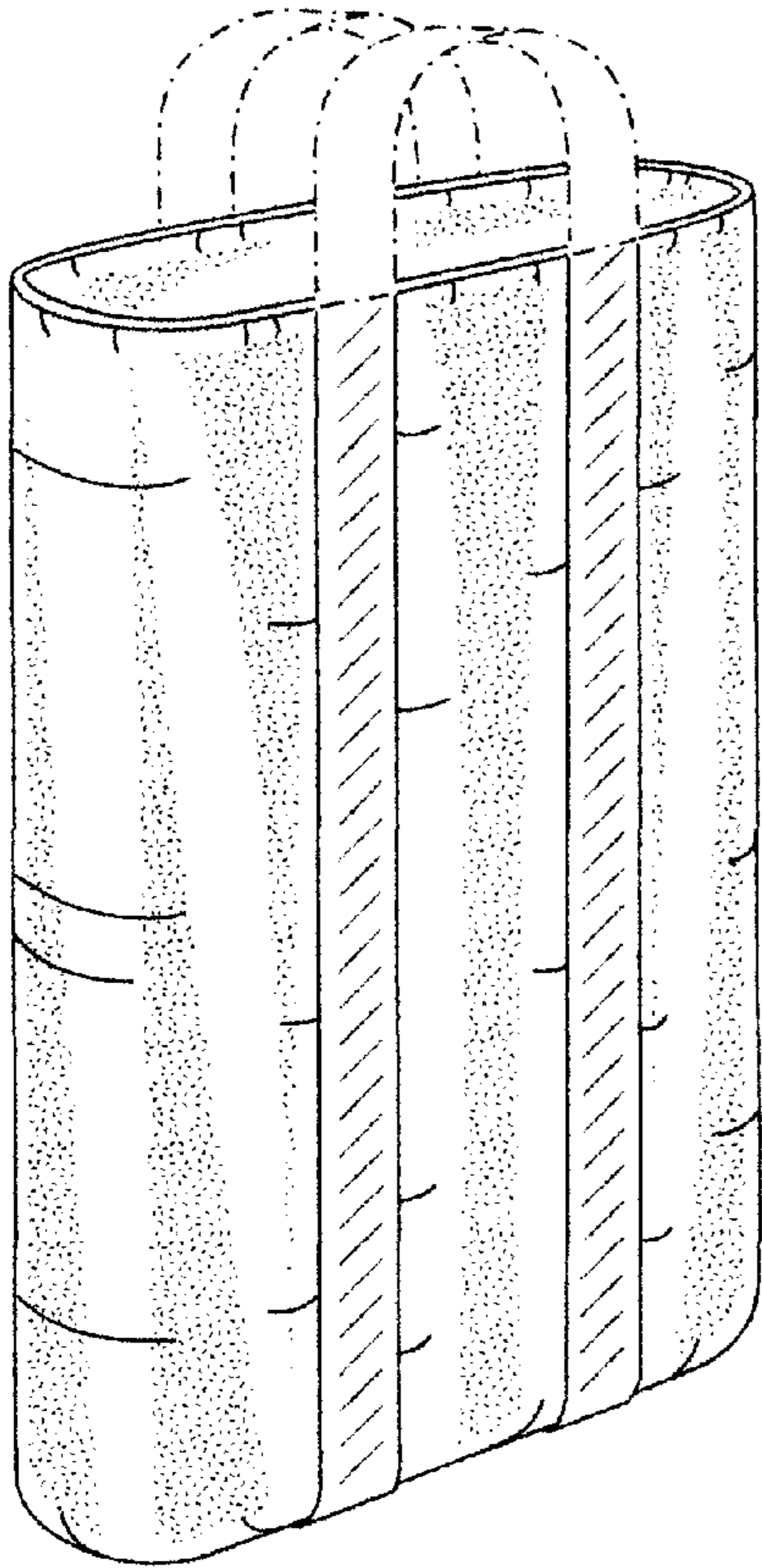


FIG. 9

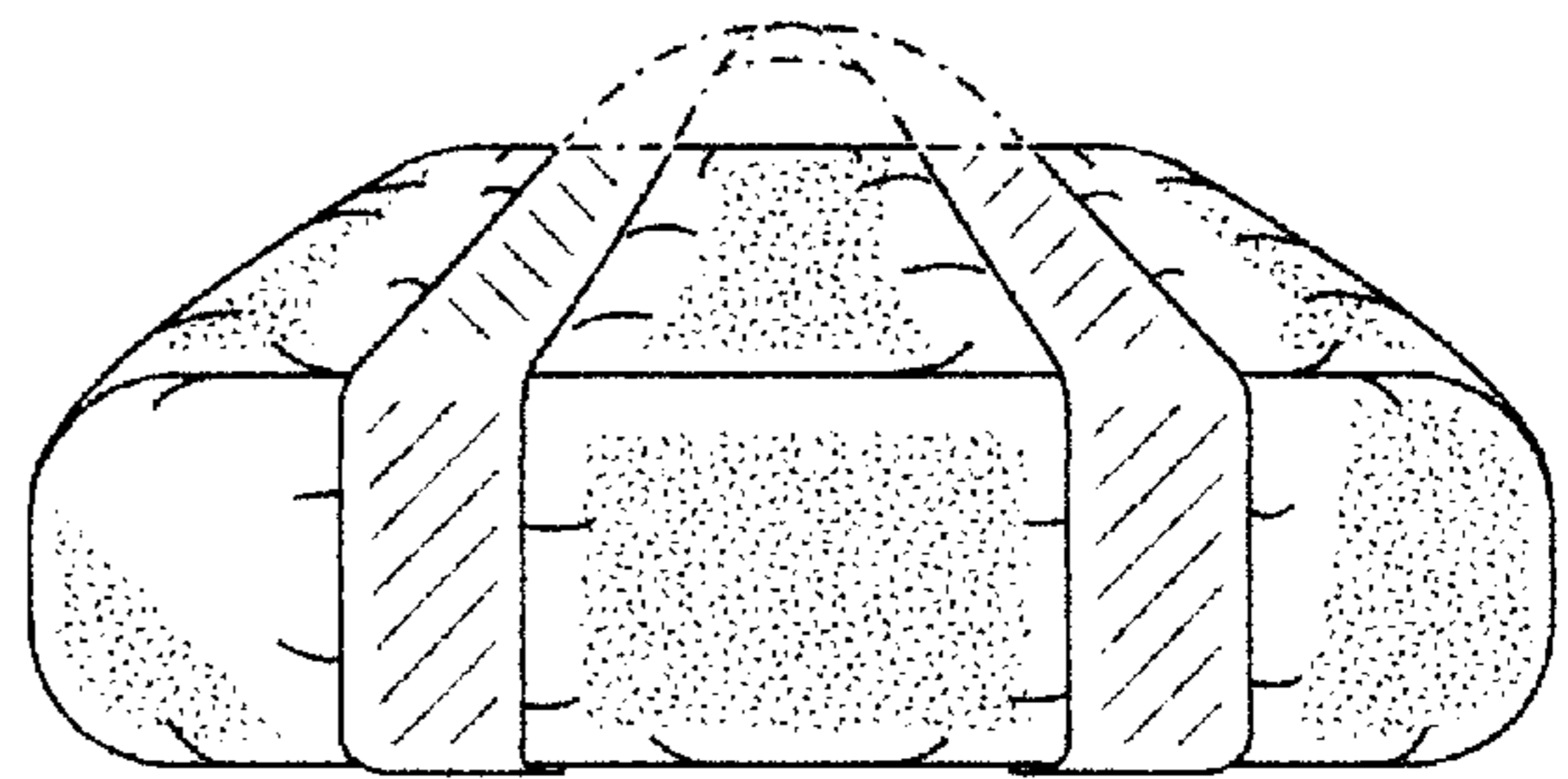


FIG. 10

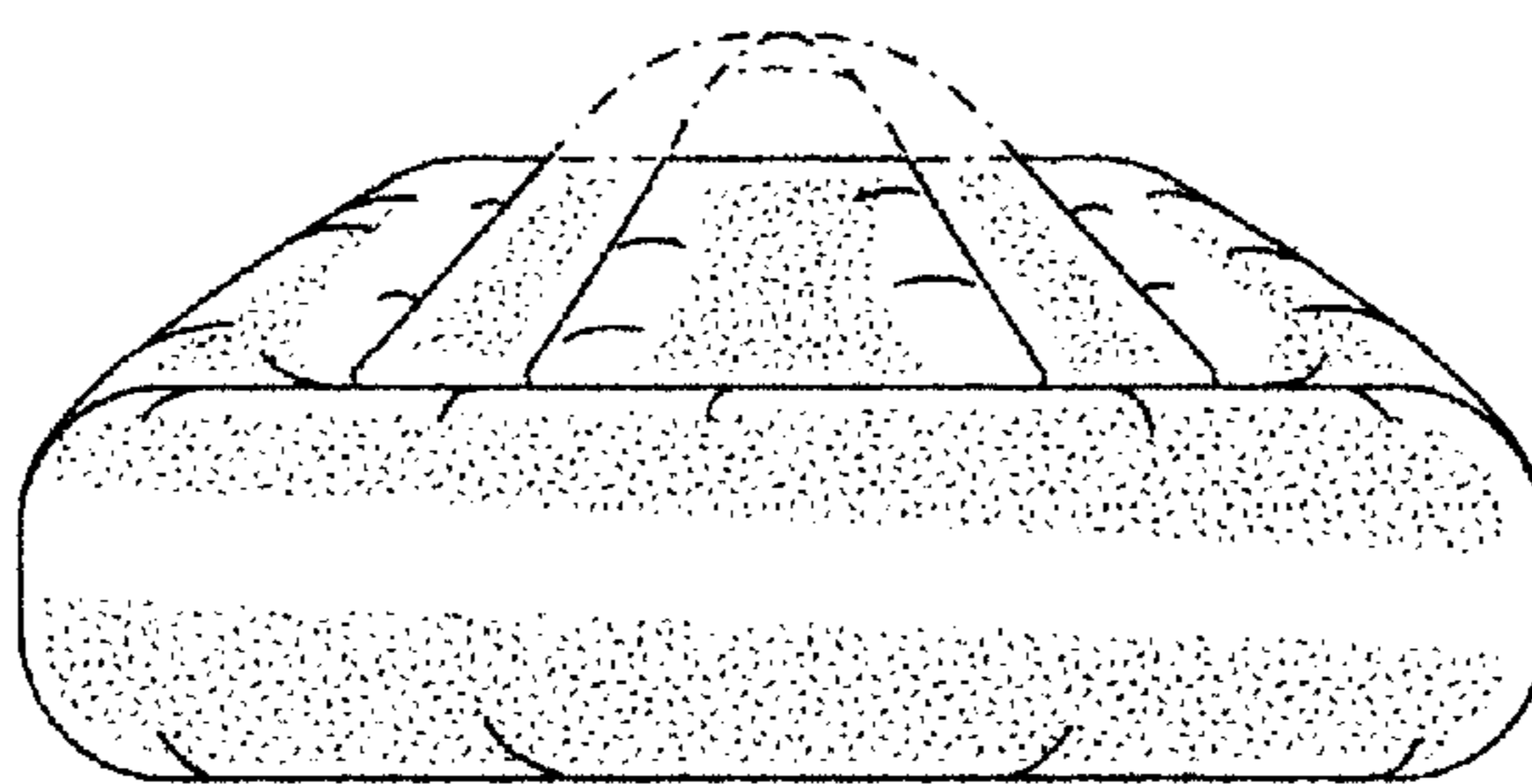


FIG. 11