



US00D472707S

(12) **United States Design Patent**
Ong

(10) **Patent No.: US D472,707 S**

(45) **Date of Patent: ** Apr. 8, 2003**

(54) **EXPANDING FILE AND TOTE BOX**

(76) Inventor: **Bon S. Ong**, Box 4247, Torrance, CA
(US) 90510

(**) Term: **14 Years**

(21) Appl. No.: **29/158,849**

(22) Filed: **Apr. 12, 2002**

(51) **LOC (7) Cl. 03-01**

(52) **U.S. Cl. D3/290; 303/900; 303/284**

(58) **Field of Search D3/273, 276, 283,
D3/284, 290, 303, 900; 206/425; 190/109,
119, 900; 229/67.1**

(56) **References Cited**

U.S. PATENT DOCUMENTS

D260,578 S	*	9/1981	Cox	D3/290
5,271,502 A	*	12/1993	Chang	206/425
5,630,509 A	*	5/1997	Su	206/425
5,664,724 A		9/1997	Ho	229/67.4
D405,266 S	*	2/1999	Chisholm	D3/303
5,954,170 A	*	9/1999	Chisholm	190/109
D449,166 S	*	10/2001	Shapiro	D3/303
D456,135 S	*	4/2002	Shapiro	D3/303
D459,887 S	*	7/2002	Johnson	D3/303

* cited by examiner

Primary Examiner—Philip S. Hyder

(74) *Attorney, Agent, or Firm*—Charles H. Thomas

(57) **CLAIM**

I claim the ornamental design for an expanding file and tote box, as shown and described.

DESCRIPTION

FIG. 1 is a perspective view of an expanding file and tote box illustrating my new design;
 FIG. 2 is a front elevational view thereof;
 FIG. 3 is a left side elevational view thereof, it being understood that the undisclosed right side elevational view is a mirror image thereof;
 FIG. 4 is rear elevational view thereof;
 FIG. 5 is a top plan view thereof;
 FIG. 6 is a bottom plan view thereof;
 FIG. 7 is another perspective view thereof showing the expanding file and tote box in an open condition;
 FIG. 8 is a left side elevational view of the expanding file and tote box in the condition shown in FIG. 7;
 FIG. 9 is a perspective view of an alternative embodiment of an expanding file and tote box showing my new design, it being understood that this embodiment appears as shown in drawing FIGS. 1 through 6 from the vantage points described in the descriptions of those drawing figures; and,
 FIG. 10 is a perspective view of still another alternative embodiment of an expanding file and tote box showing my new design, it being understood that this embodiment appears as shown in drawing FIGS. 1 through 6 from the vantage points described in the descriptions of those drawing figures.

1 Claim, 9 Drawing Sheets

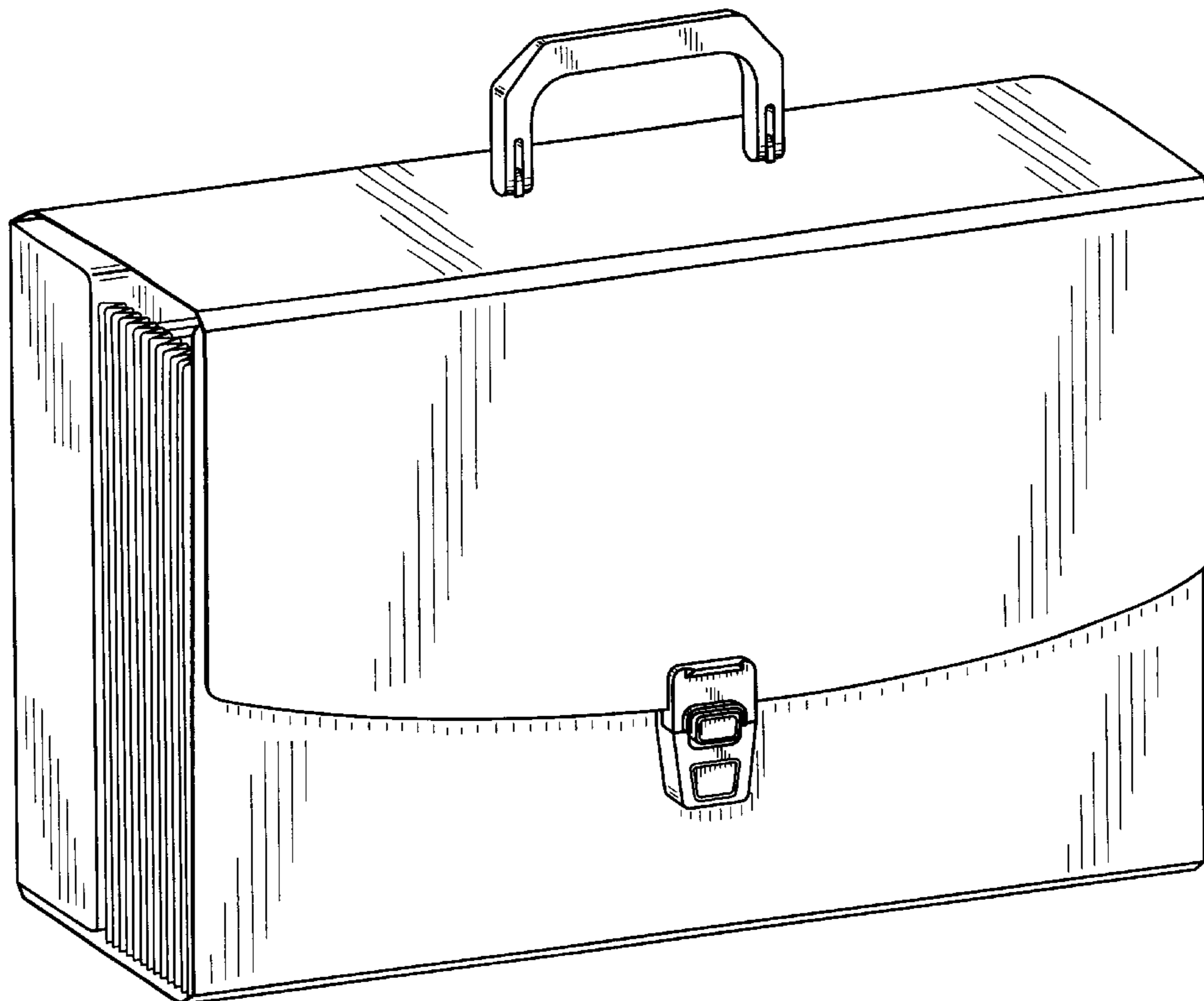
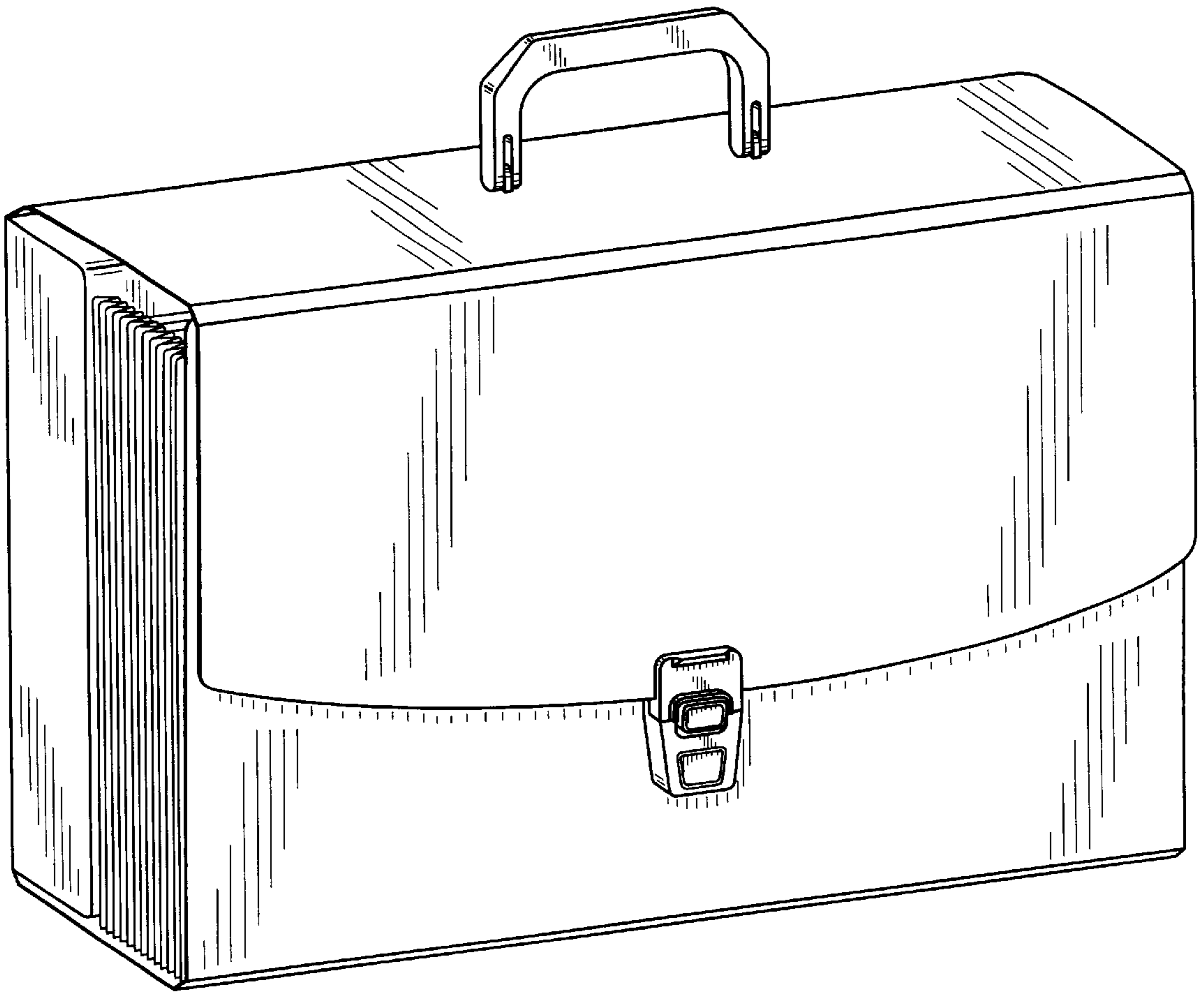


FIG. 1



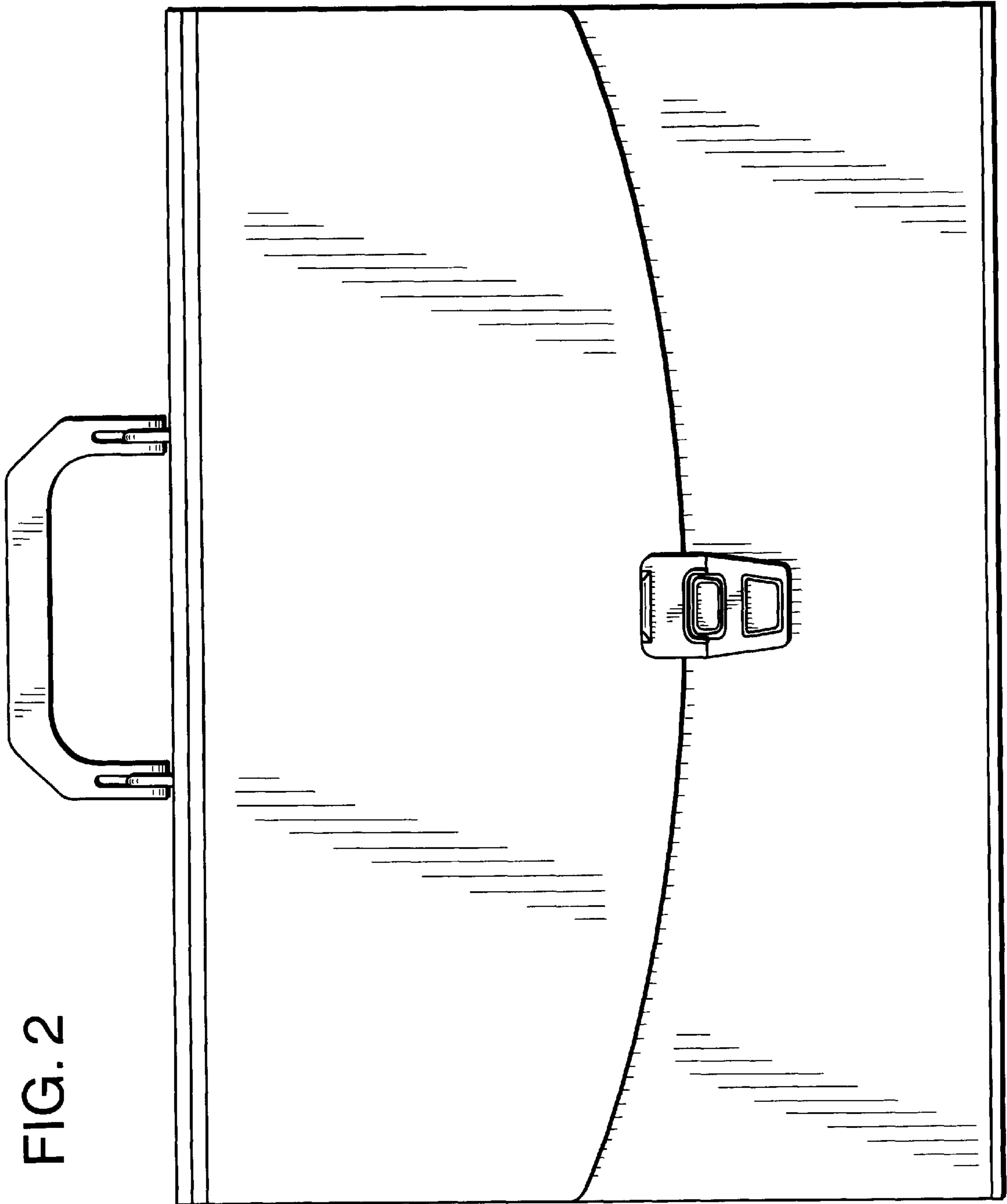
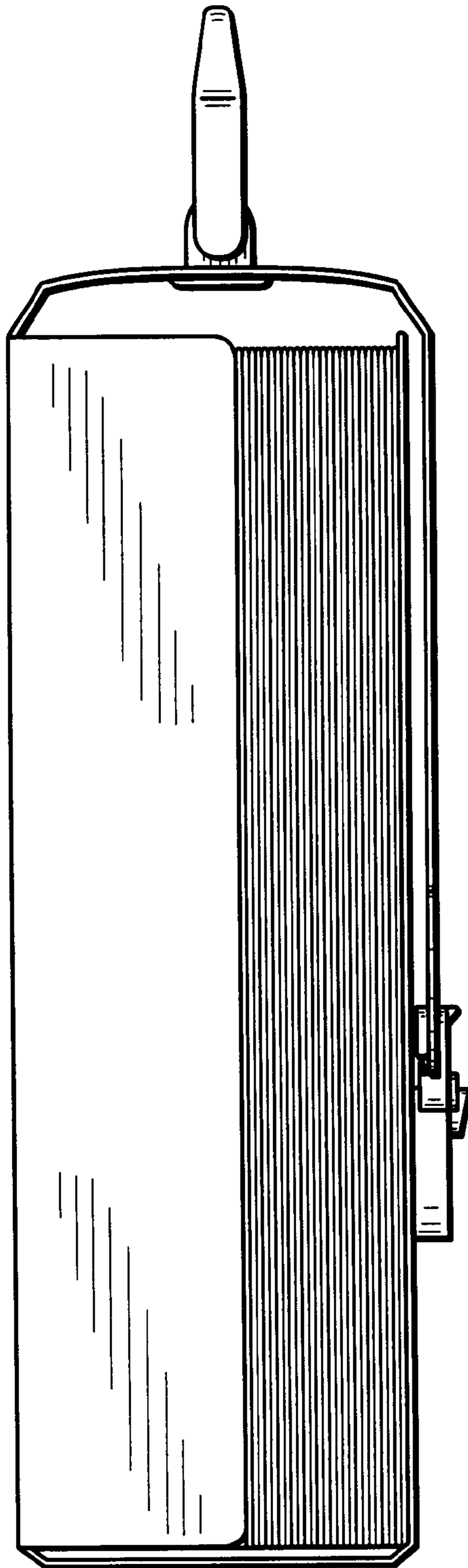


FIG. 2

FIG. 3



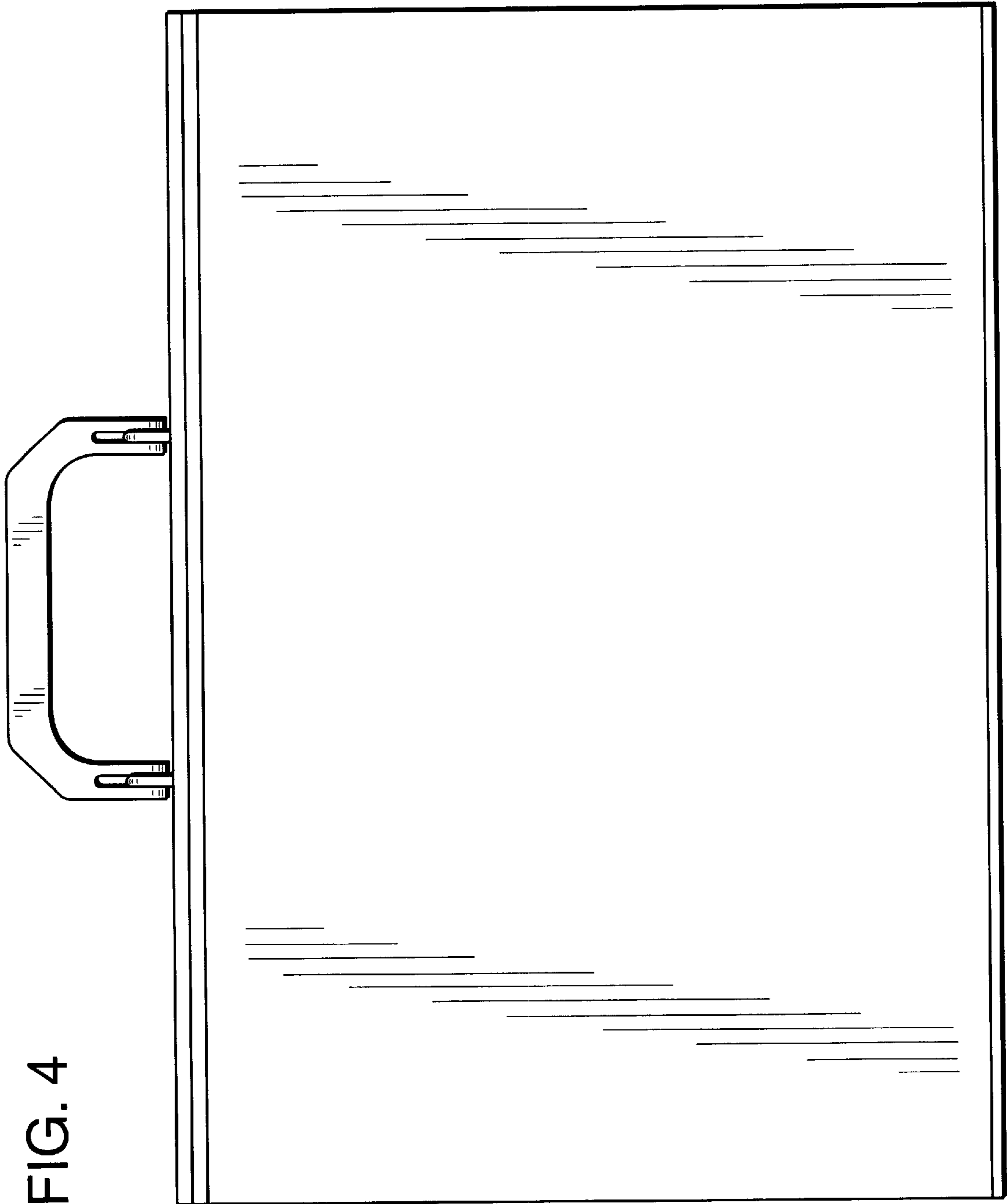


FIG. 4

FIG. 5

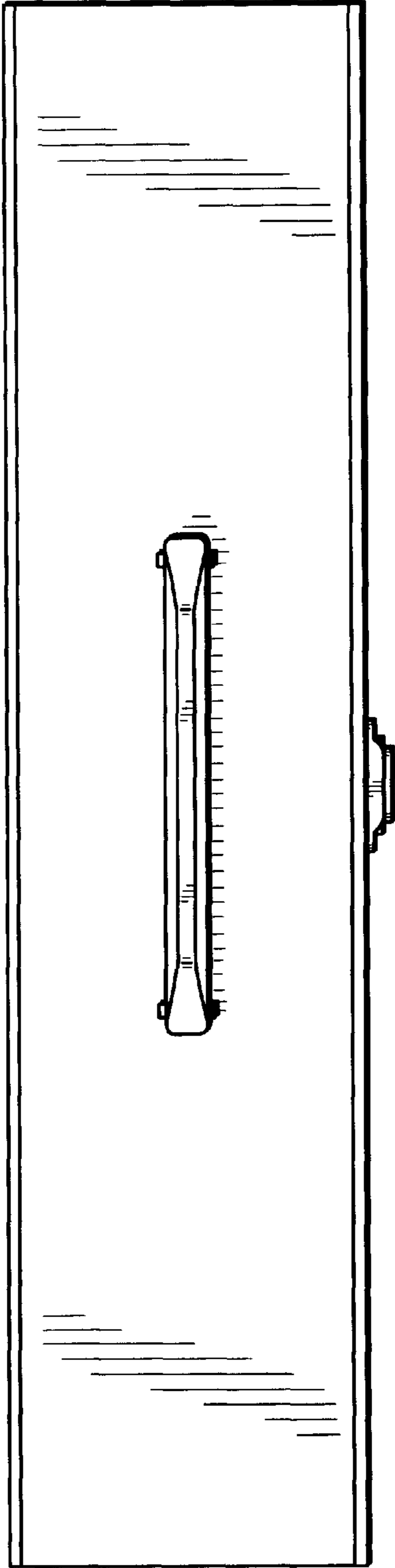


FIG. 6

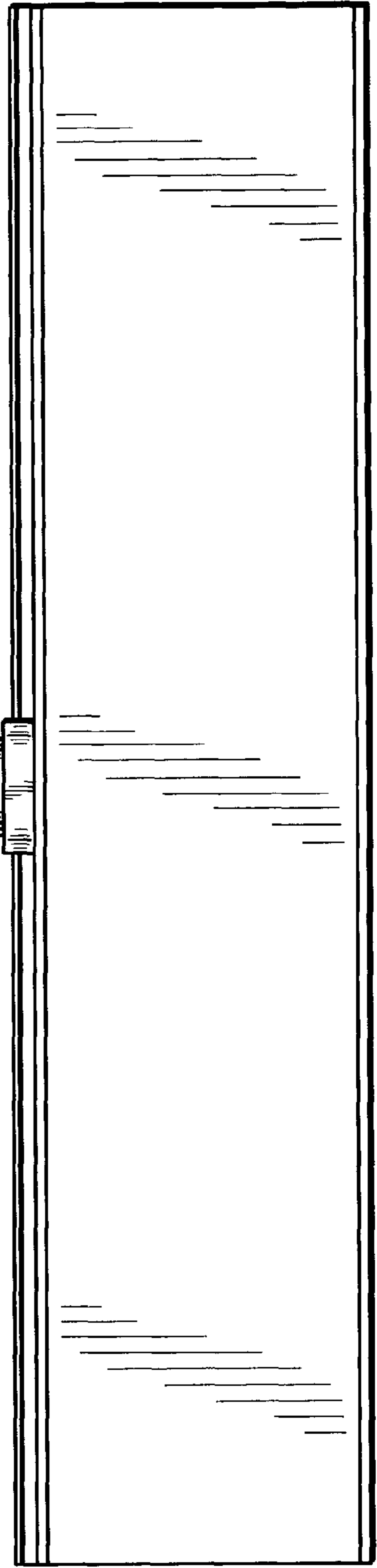


FIG. 7

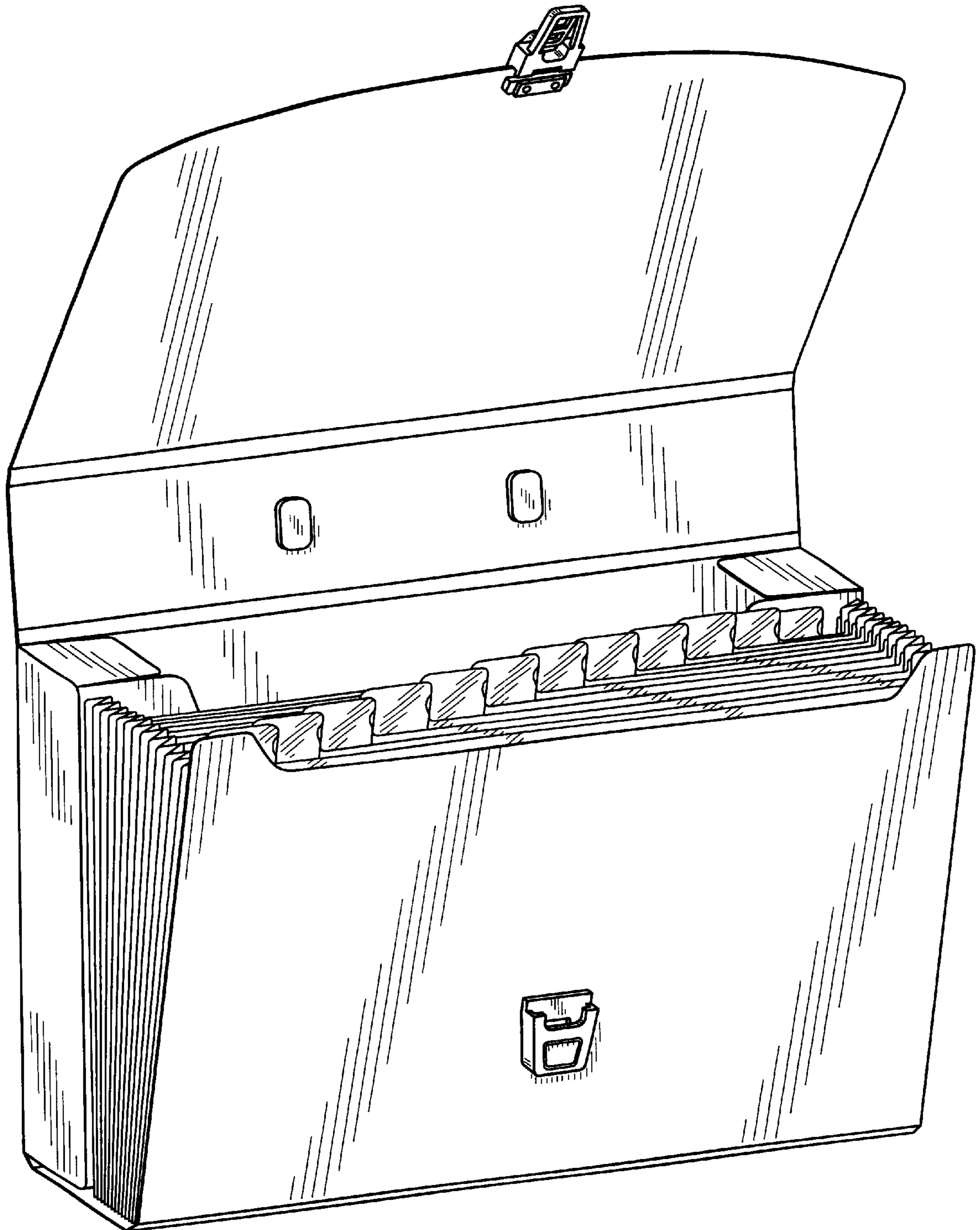


FIG. 8

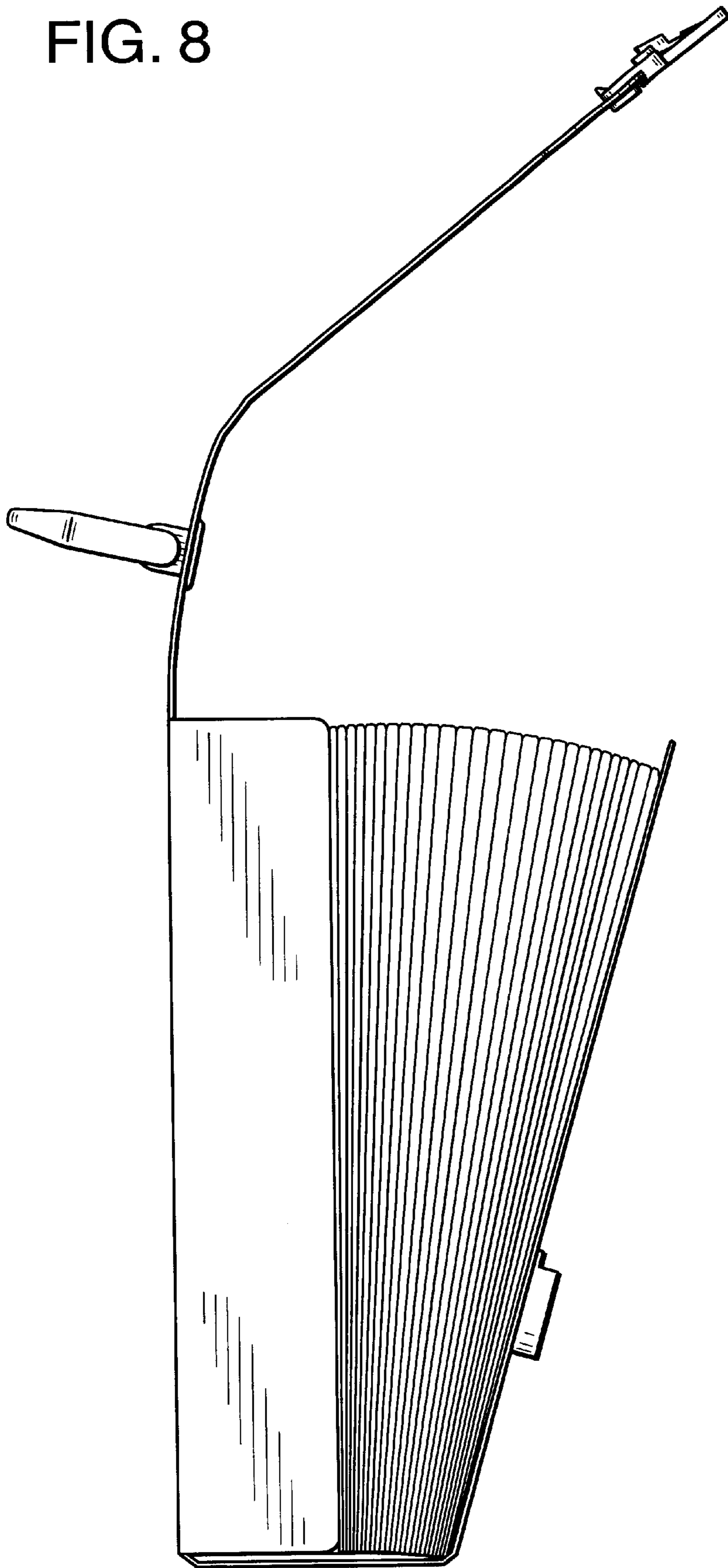


FIG. 9

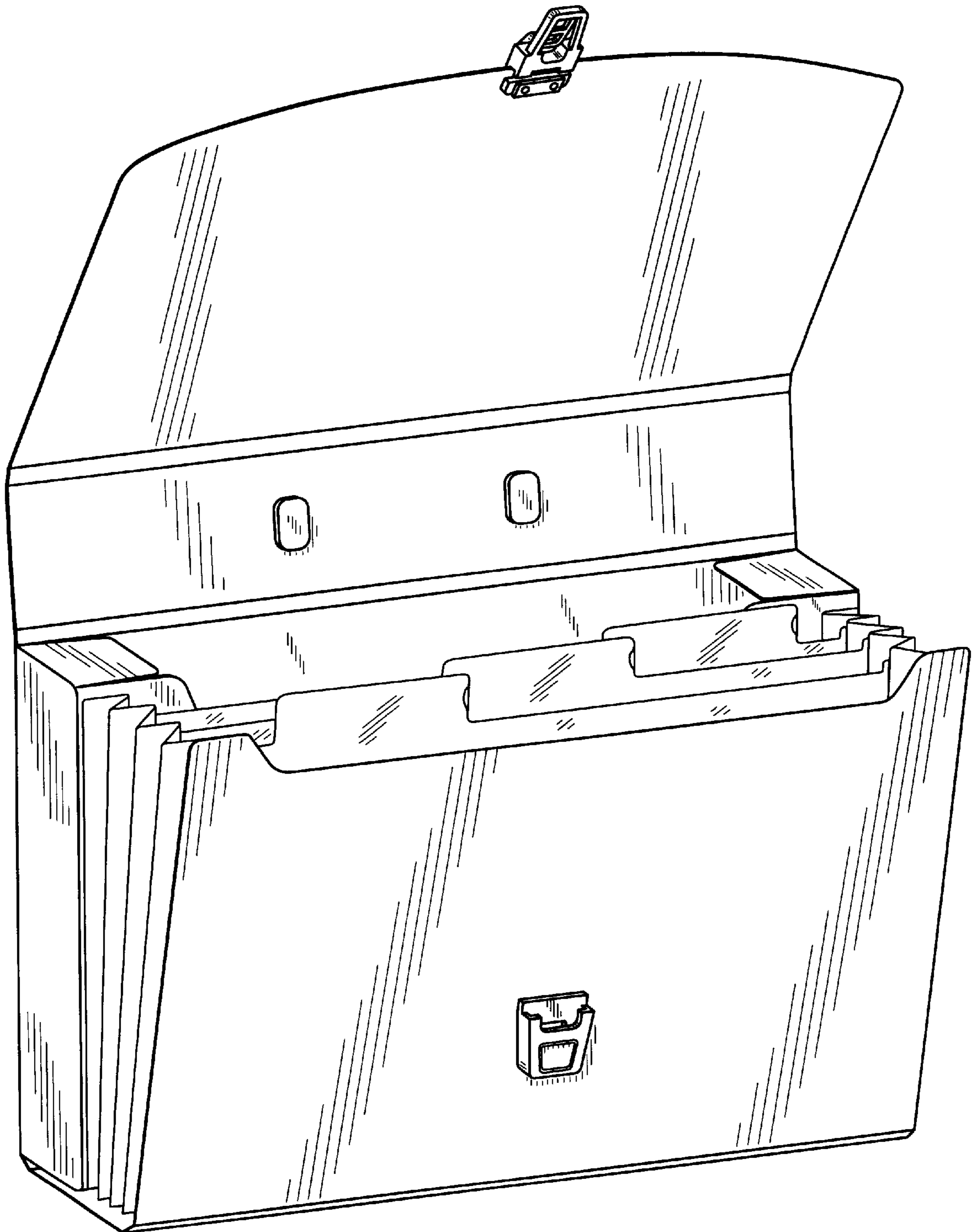


FIG. 10

