



US00D472705S

(12) **United States Design Patent**
Van Himbeek

(10) **Patent No.:** **US D472,705 S**

(45) **Date of Patent:** **** Apr. 8, 2003**

(54) **UPRIGHT LUGGAGE CASE**

D454,430 S 3/2002 Sijmons D3/279

(75) Inventor: **Clemens Van Himbeek**, Ronse (BE)

* cited by examiner

(73) Assignee: **Samsonite Corporation**, Denver, CO (US)

Primary Examiner—Philip S. Hyder

(74) *Attorney, Agent, or Firm*—Gregory W. O'Connor

(**) Term: **14 Years**

(57) **CLAIM**

(21) Appl. No.: **29/149,458**

The ornamental design for an upright luggage case, as shown and described.

(22) Filed: **Oct. 9, 2001**

DESCRIPTION

(51) **LOC (7) Cl.** **03-01**

(52) **U.S. Cl.** **D3/279; D3/289; D3/301**

(58) **Field of Search** D3/273, 276, 279, D3/283, 285, 287, 289; 190/18 A, 100, 109, 110, 111, 112, 113

FIG. 1 is a perspective view showing the front of the upright luggage case embodying my new design, with the handle, itself not a part of my claimed design, shown in an extended position.

FIG. 2 is a front view of the upright luggage case shown in FIG. 1.

FIG. 3 is left side view thereof, the right side view being a mirror image thereof.

FIG. 4 is a back view thereof.

FIG. 5 is a top view thereof, with the handle, itself not a part of my claimed design, shown in a stored position.

FIG. 6 is a bottom view thereof; and,

FIG. 7 is a perspective view showing the back of the upright luggage case embodying my new design.

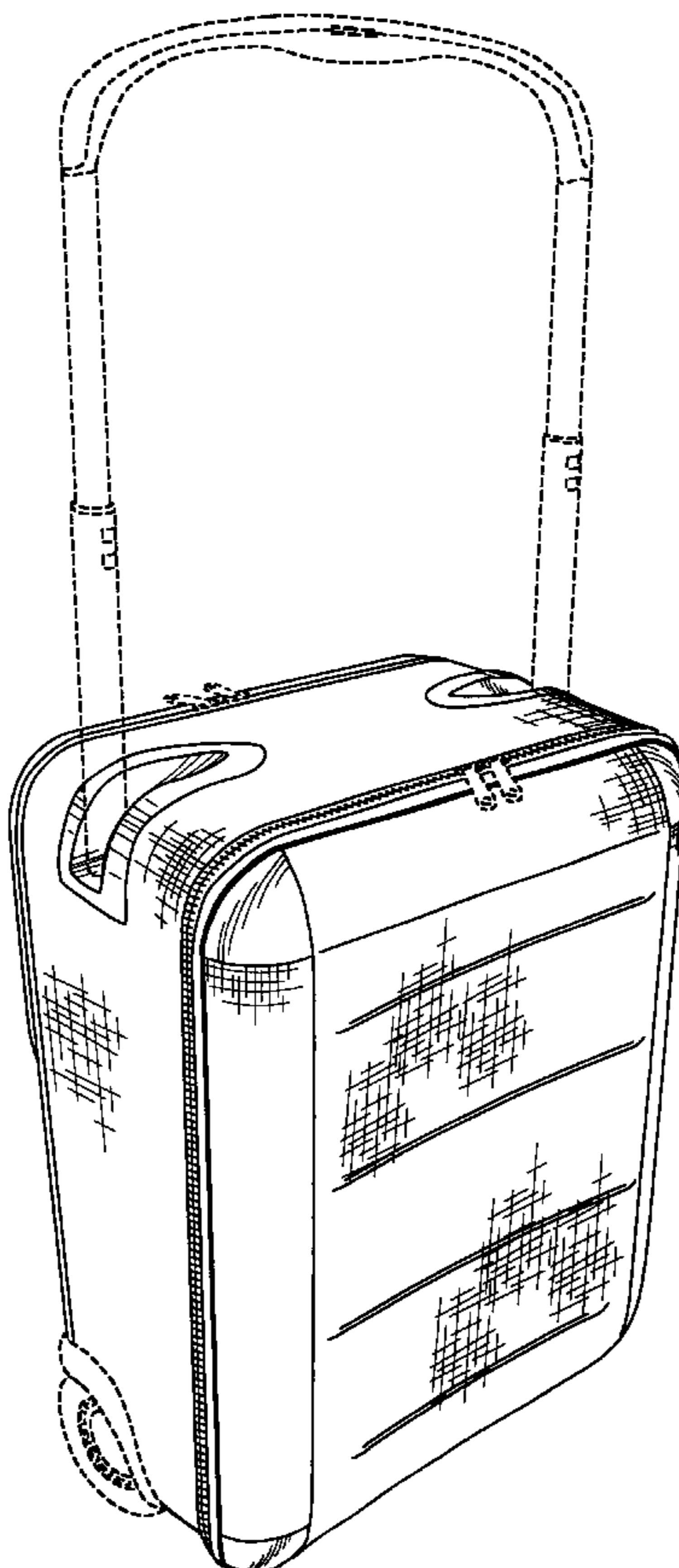
The portions of the drawings shown in dashed lines are merely environmental structures and form no part of the claimed design.

(56) **References Cited**

U.S. PATENT DOCUMENTS

D352,395 S	*	11/1994	King	D3/279
D354,397 S	*	1/1995	Berman	D3/276
D357,808 S	*	5/1995	Aumasson	D3/276
D374,773 S	*	10/1996	Domotor	D3/276
D374,987 S	*	10/1996	Hughes	D3/279
D383,604 S	*	9/1997	King et al.	D3/279
D387,625 S	*	12/1997	Kai Fai	D3/279
D395,361 S	*	6/1998	Zionts et al.	D3/279
D438,381 S		3/2001	Sijmons	D3/321
D444,946 S	*	7/2001	Klamm	D3/279

1 Claim, 4 Drawing Sheets



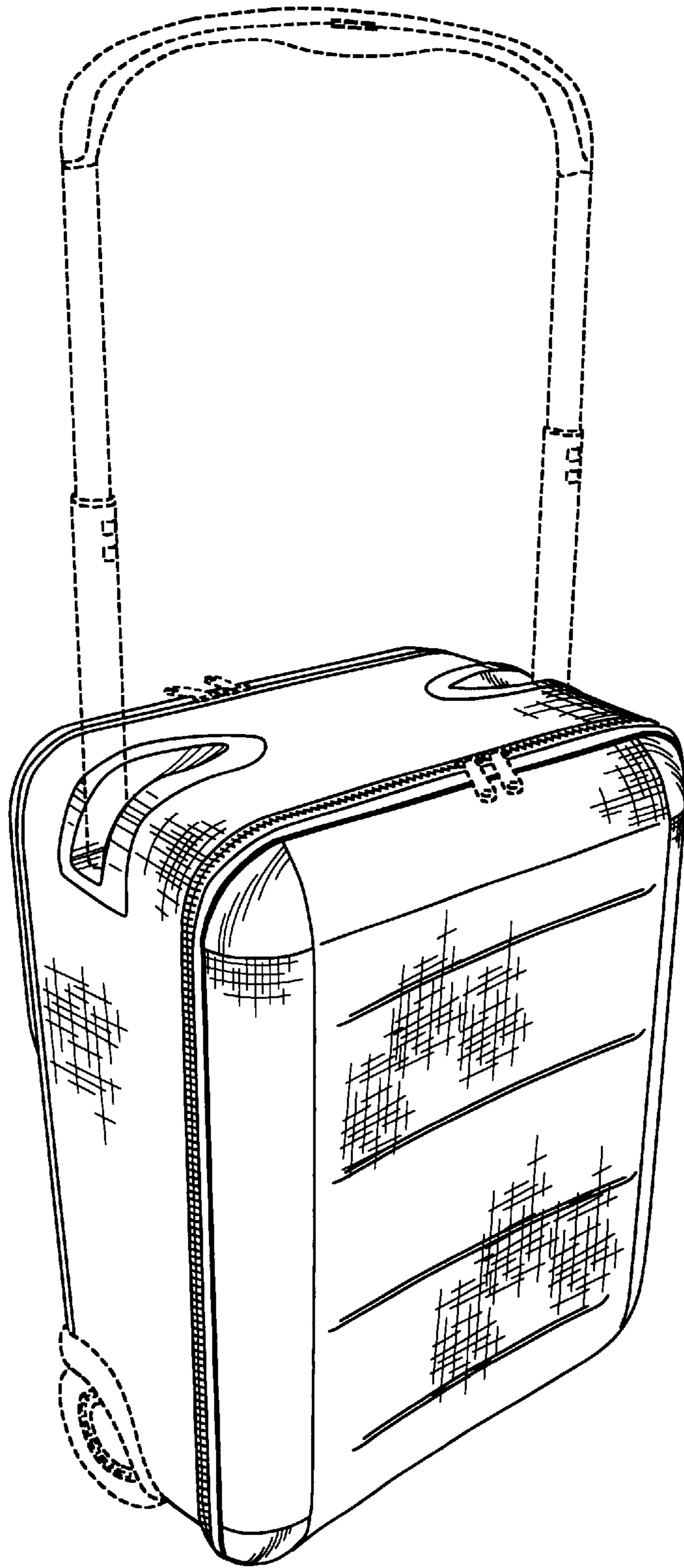


FIG. 1

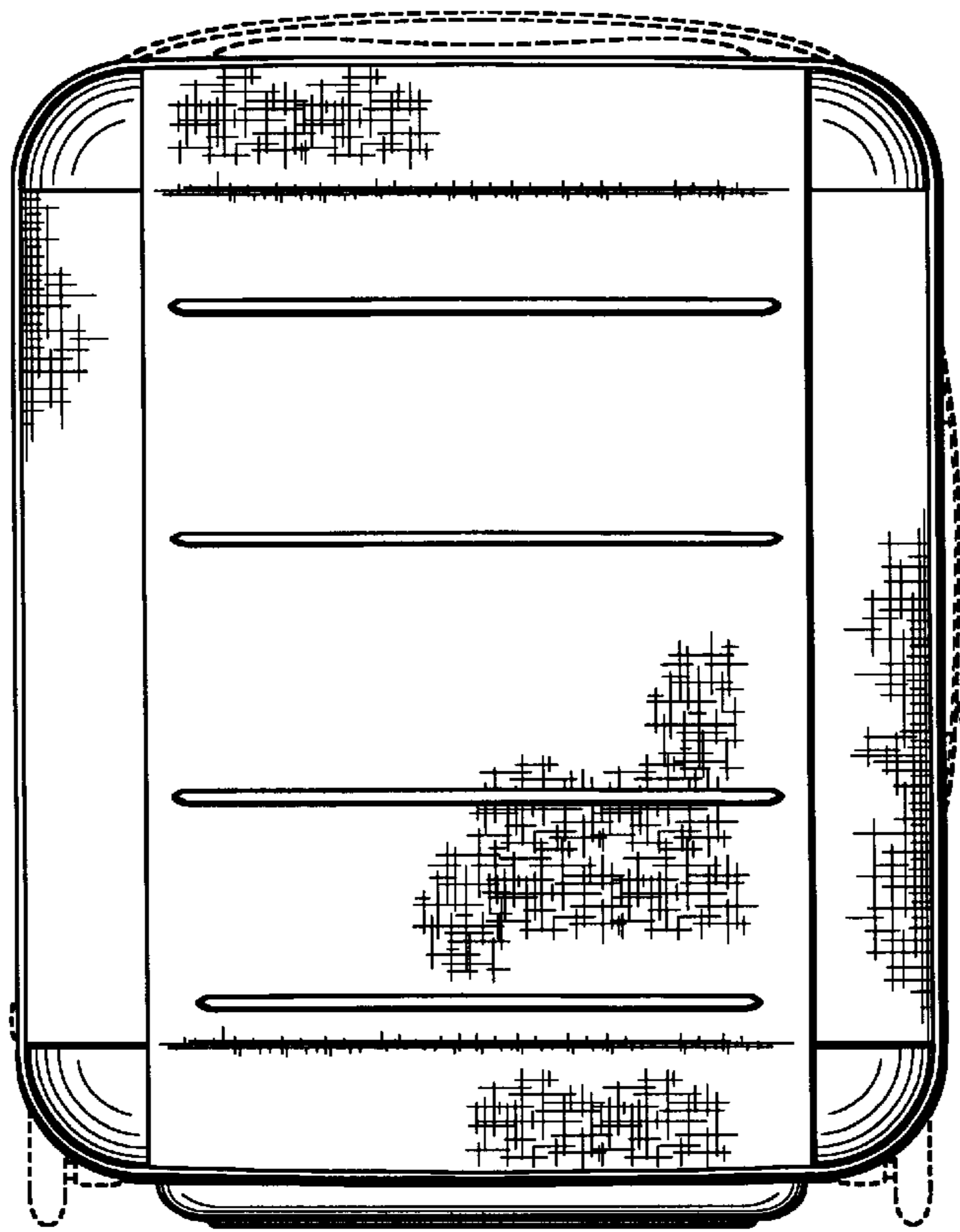


FIG. 2

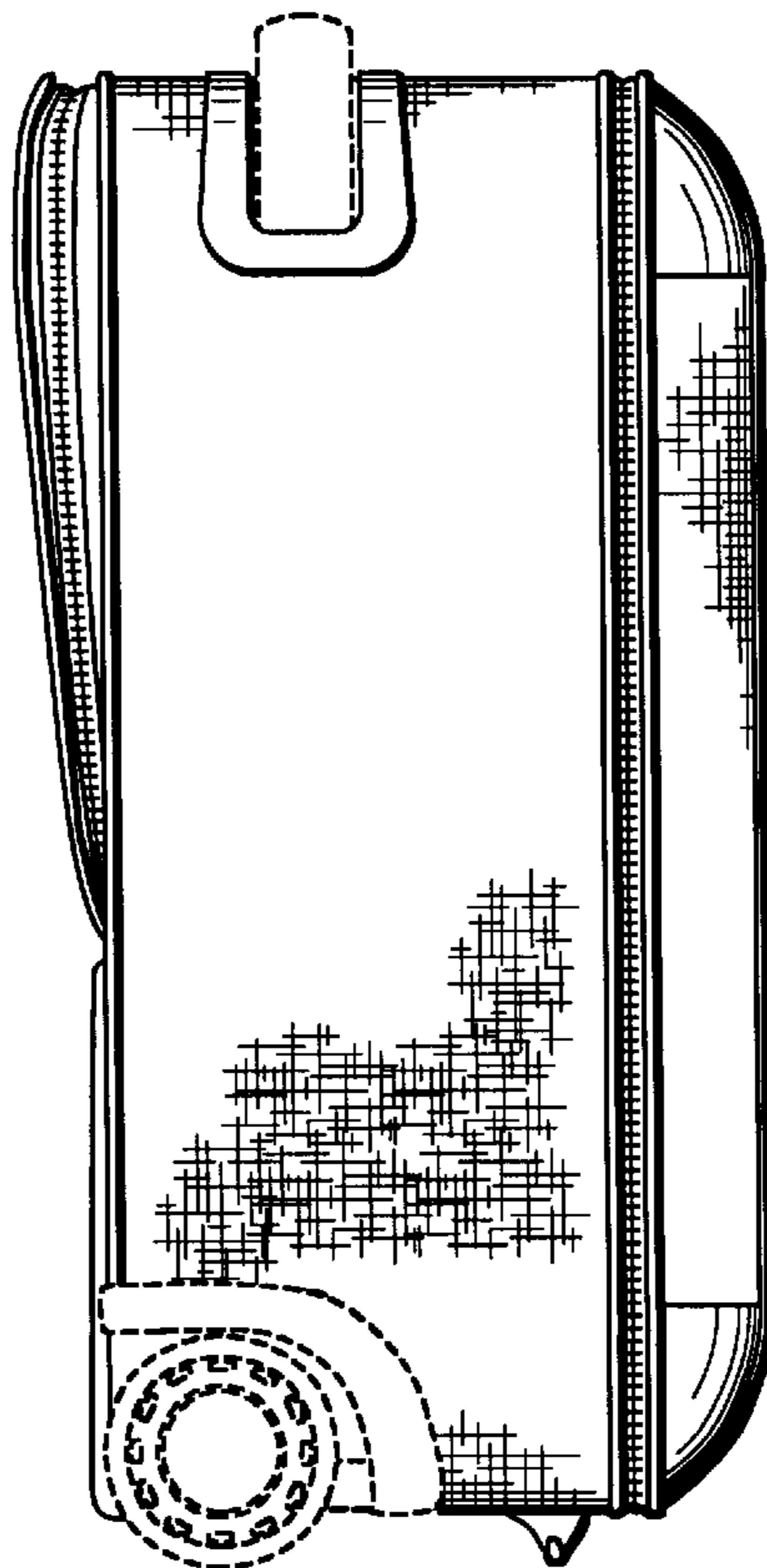


FIG. 3

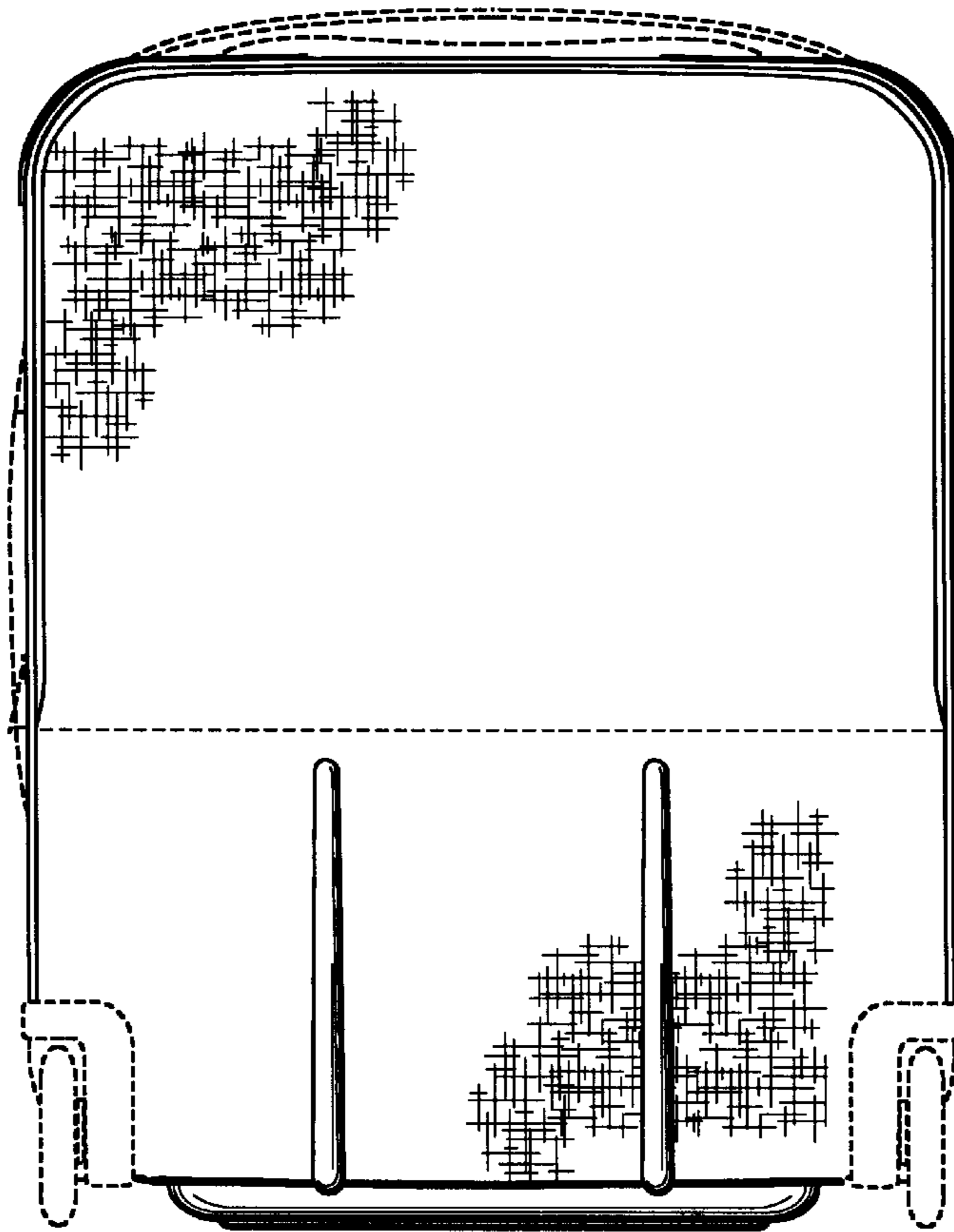


FIG. 4

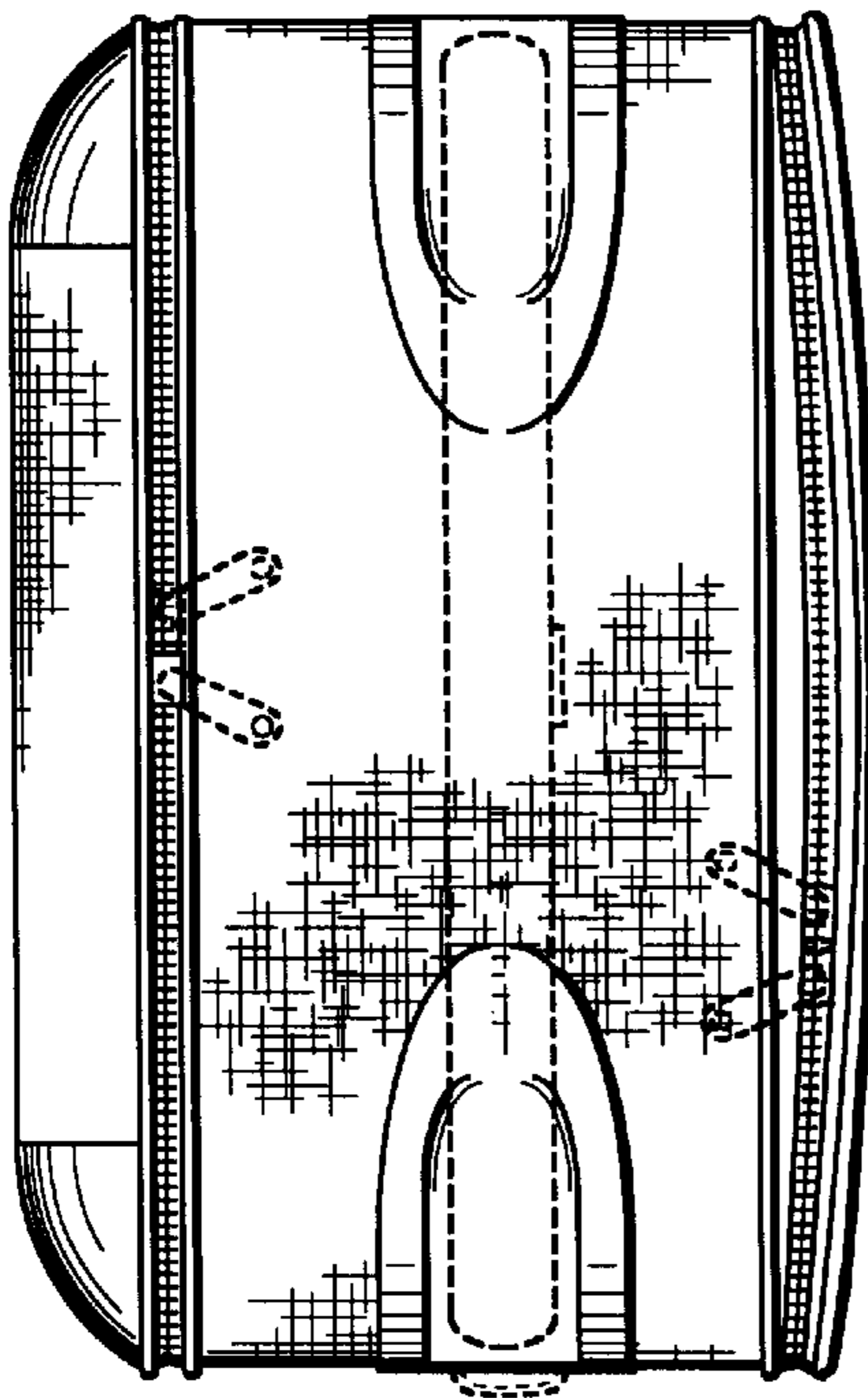


FIG. 5

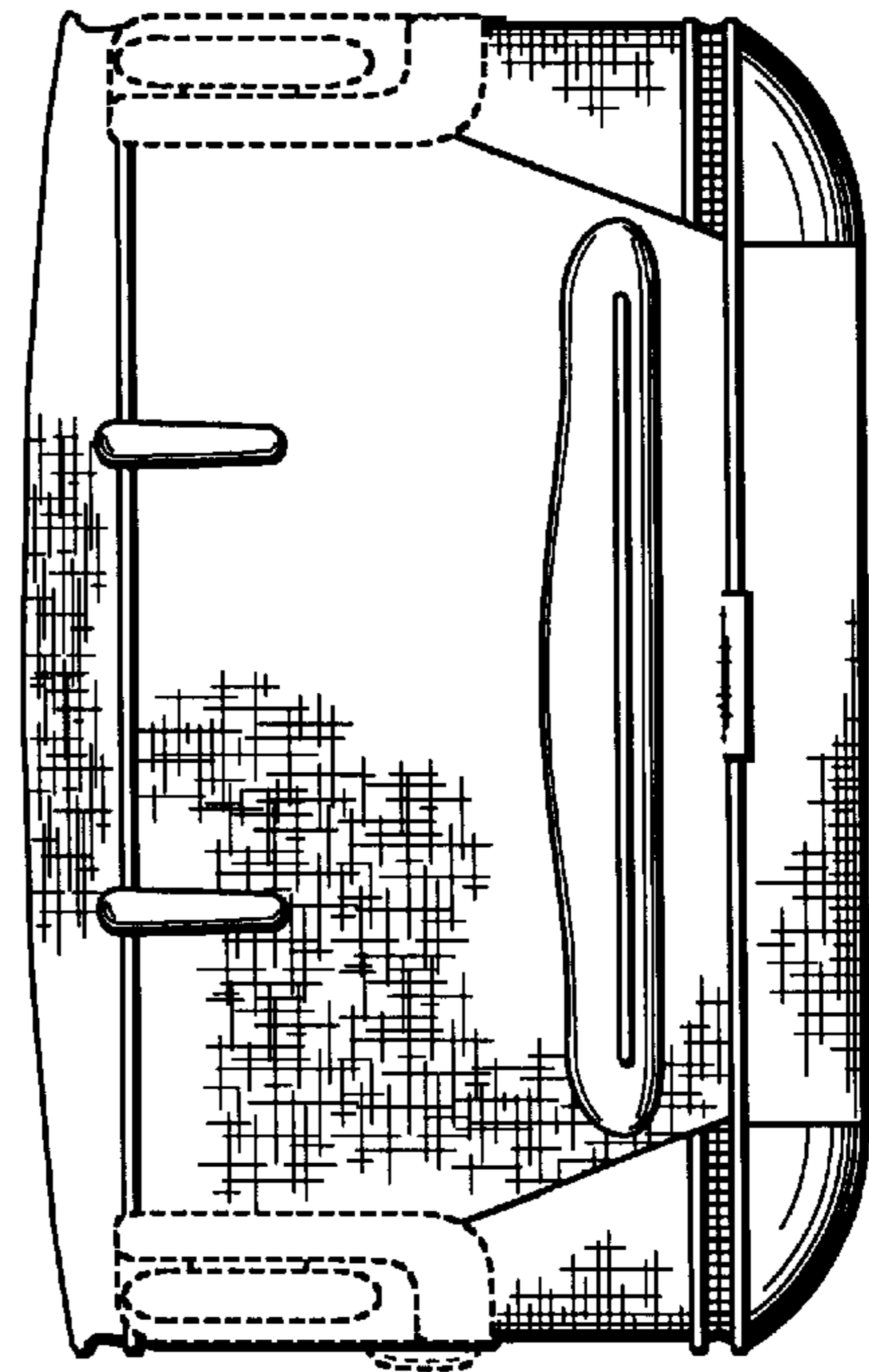


FIG. 6

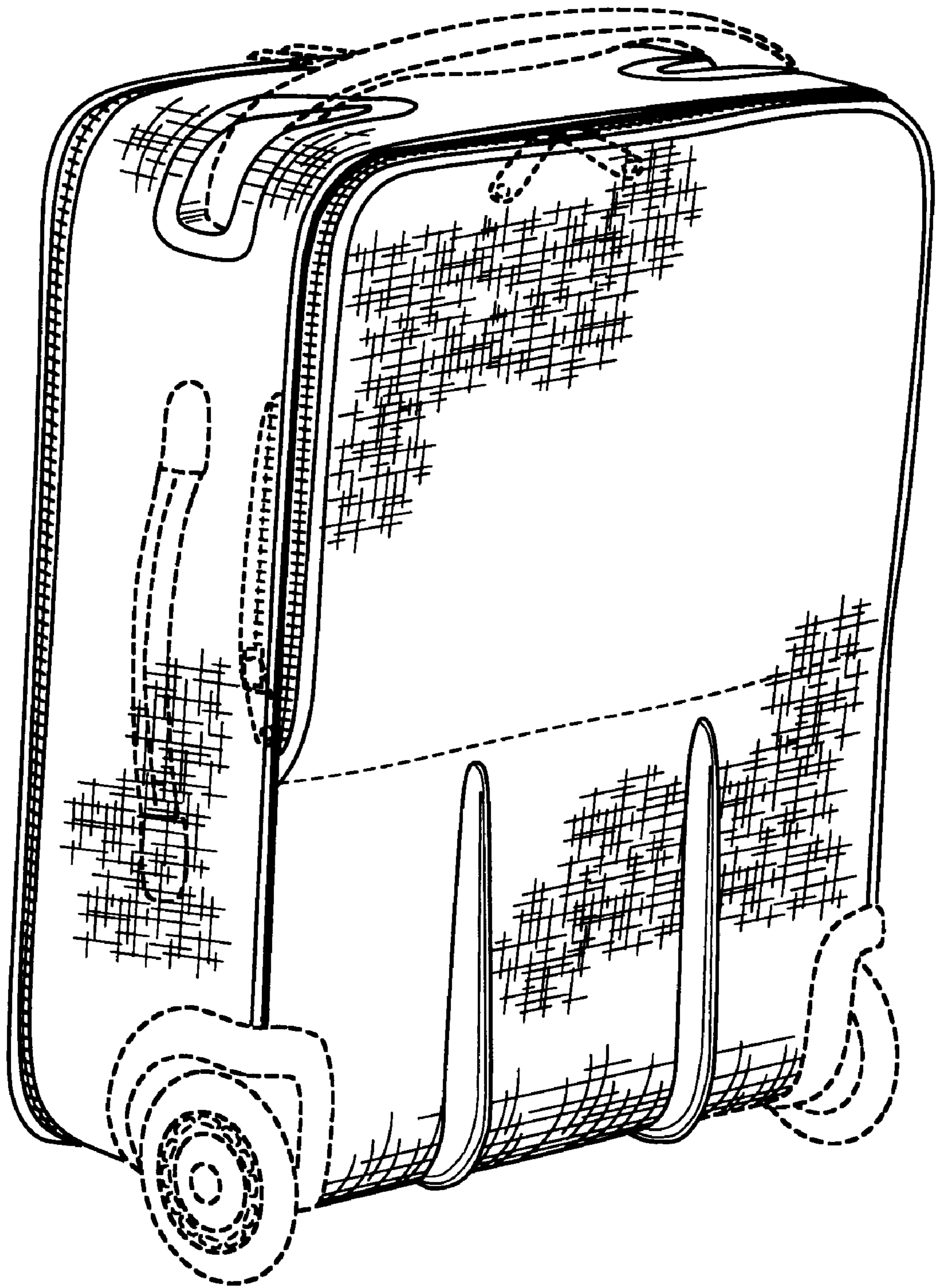


FIG. 7