



US00D472702S

(12) **United States Design Patent**
Hassett

(10) **Patent No.:** **US D472,702 S**

(45) **Date of Patent:** **** Apr. 8, 2003**

(54) **COMPACT DISC PLAYER CARRYING CASE WITH BELT**

(75) Inventor: **Eric S. Hassett**, Golden, CO (US)

(73) Assignee: **Case Logic, Inc.**, Longmont, CO (US)

(**) Term: **14 Years**

(21) Appl. No.: **29/163,597**

(22) Filed: **Jul. 8, 2002**

(51) **LOC (7) Cl.** **03-01**

(52) **U.S. Cl.** **D3/218; D3/226**

(58) **Field of Search** D3/218, 215, 224,
D3/226, 289, 299, 201; D6/407, 631-635;
224/240, 241, 245, 236, 901, 914

(56) **References Cited**

U.S. PATENT DOCUMENTS

D414,929 S	*	10/1999	Brucki	D3/226
D418,287 S	*	1/2000	Moor	D3/201
D428,700 S		8/2000	Hillman	D3/287
D434,897 S		12/2000	Hillman	D3/218
D436,443 S		1/2001	Hillman	D3/283
D447,631 S		9/2001	Hillman	D3/289
D463,113 S	*	9/2002	Hassett	D3/218
D463,660 S	*	10/2002	Alves et al.	D3/218

OTHER PUBLICATIONS

- Case Logic 2002 Product Catalog, "What's Inside Survives", pp. 3, 9, 10.
Case Logic Spring 2000 Product Catalog, pp. 5, 7, 10, 11, 12.
Case Logic 2001 Essential Equipment Product Catalog, pp. 5, 6, 10, 11.
Case Logic 2000 Essential Equipment Product Catalog, pp. 5, 8, 9, 10, 11.
Case Logic 1999 Product Catalog, pp. 7, 9, 10, 11, 12.
1999 CdProjects Catalog, pp. 7, 9, 13, 24.
1998 BMI Case It Catalog, pp. 1, 2.
1997 Case Logic Audio Catalog, pp. 2, 5, 6.
HFD "Buyers' Guide to Entertainment Storage Accessories", back cover.

Case Connect Product Brochure, pp. 2, 3, 8, 9, 12 and 13.
2001 Case It Catalog, front cover, pp. 3, 4, 10 and 12.
Fellowes Home & Office Solutions, pp. 113 and 114-116.

(List continued on next page.)

Primary Examiner—Catherine R. Oliver

(74) *Attorney, Agent, or Firm*—Sheridan Ross P.C.

(57) **CLAIM**

The ornamental design for a compact disc player carrying case with belt, as shown and described.

DESCRIPTION

FIG. 1 is a front perspective view of a compact disc player carrying case with belt showing my new design with environment, the broken lines forming no part of my claimed design;

FIG. 2 is a front elevation view of the invention illustrated in FIG. 1 shown with environment, the broken lines forming no part of my claimed design;

FIG. 3 is a right elevation view of the invention illustrated in FIG. 1, shown with environment, the broken lines forming no part of my claimed design

FIG. 4 is a top plan view of the invention illustrated in FIG. 1, shown with environment, the broken lines forming no part of my claimed design

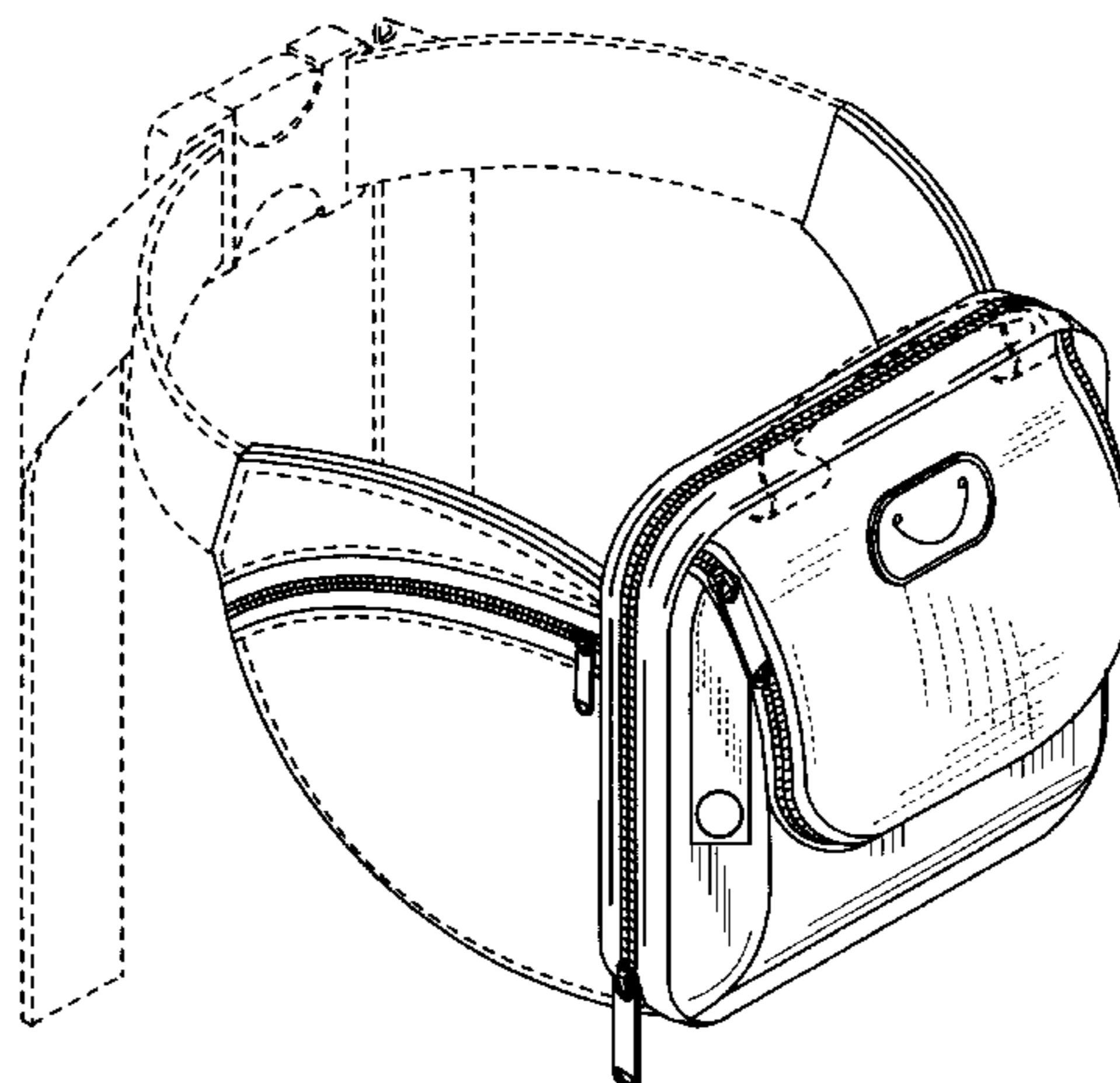
FIG. 5 is a rear elevation view of the invention illustrated in FIG. 1, shown with environment, the broken lines forming no part of my claimed design

FIG. 6 is a bottom plan view of the invention illustrated in FIG. 1, shown with environment, the broken lines forming no part of my claimed design

FIG. 7 is a right elevation view of the invention illustrated in FIG. 1, shown with environment, the broken lines forming no part of my claimed design; and,

FIG. 8 is a front perspective view of the invention shown in FIG. 1 in an open position, the broken lines representing environment and forming no part of the claimed design.

1 Claim, 4 Drawing Sheets



OTHER PUBLICATIONS

CdProjects Millenimum² Catalog, pp. 4, 8, 10, 18, 20, 26.

U.S. patent application Ser. No. 29/157,487, Hassett, filed Mar. 19, 2002.

U.S. patent application Ser. No. 29/159,348, Hassett, filed Apr. 17, 2002.

U.S. patent application Ser. No. 29/162,068, Hassett, filed Jun. 7, 2002.

U.S. patent application Ser. No. 29/159,350, Hassett, filed Apr. 17, 2002.

* cited by examiner

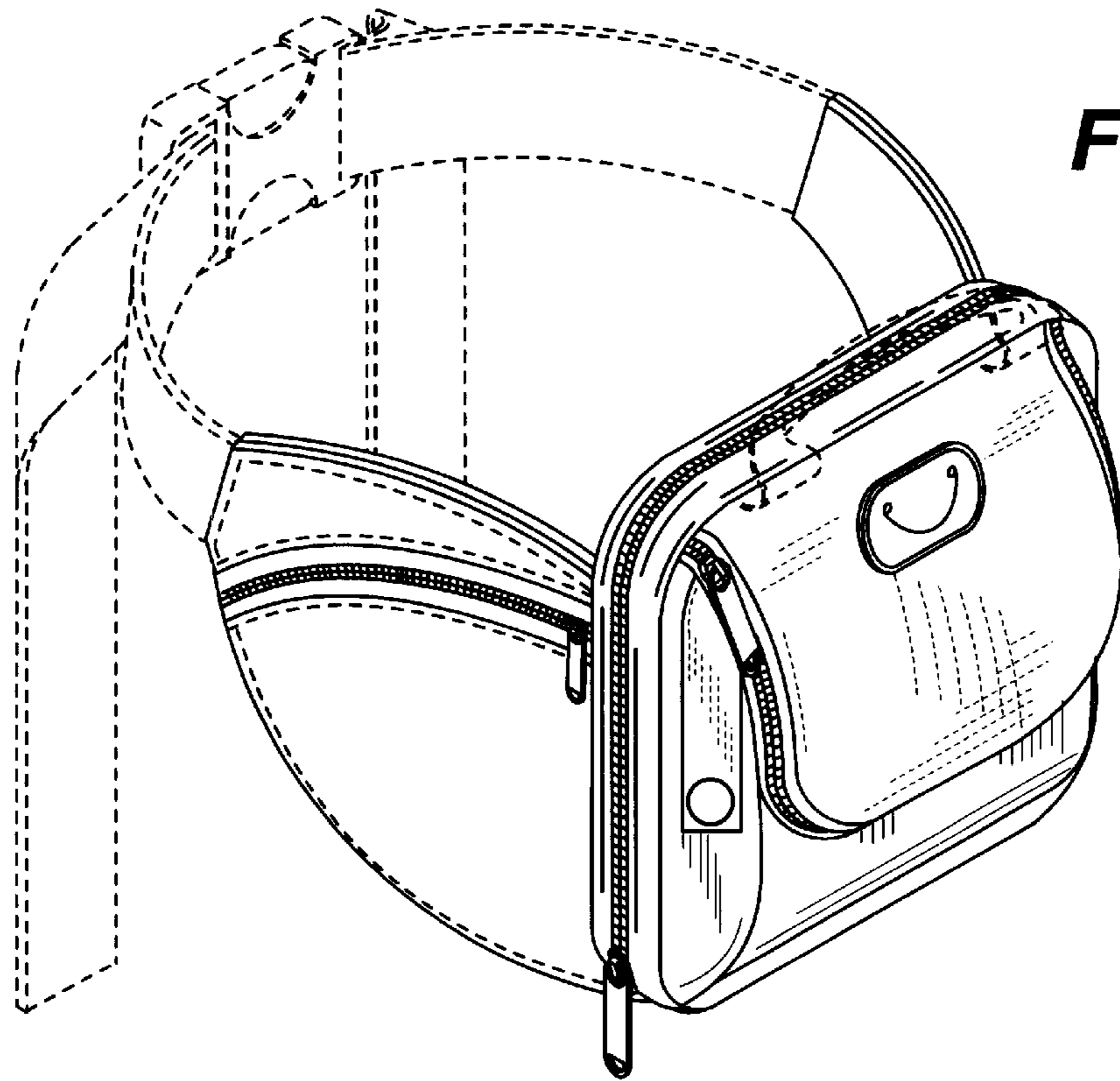


Fig. 1

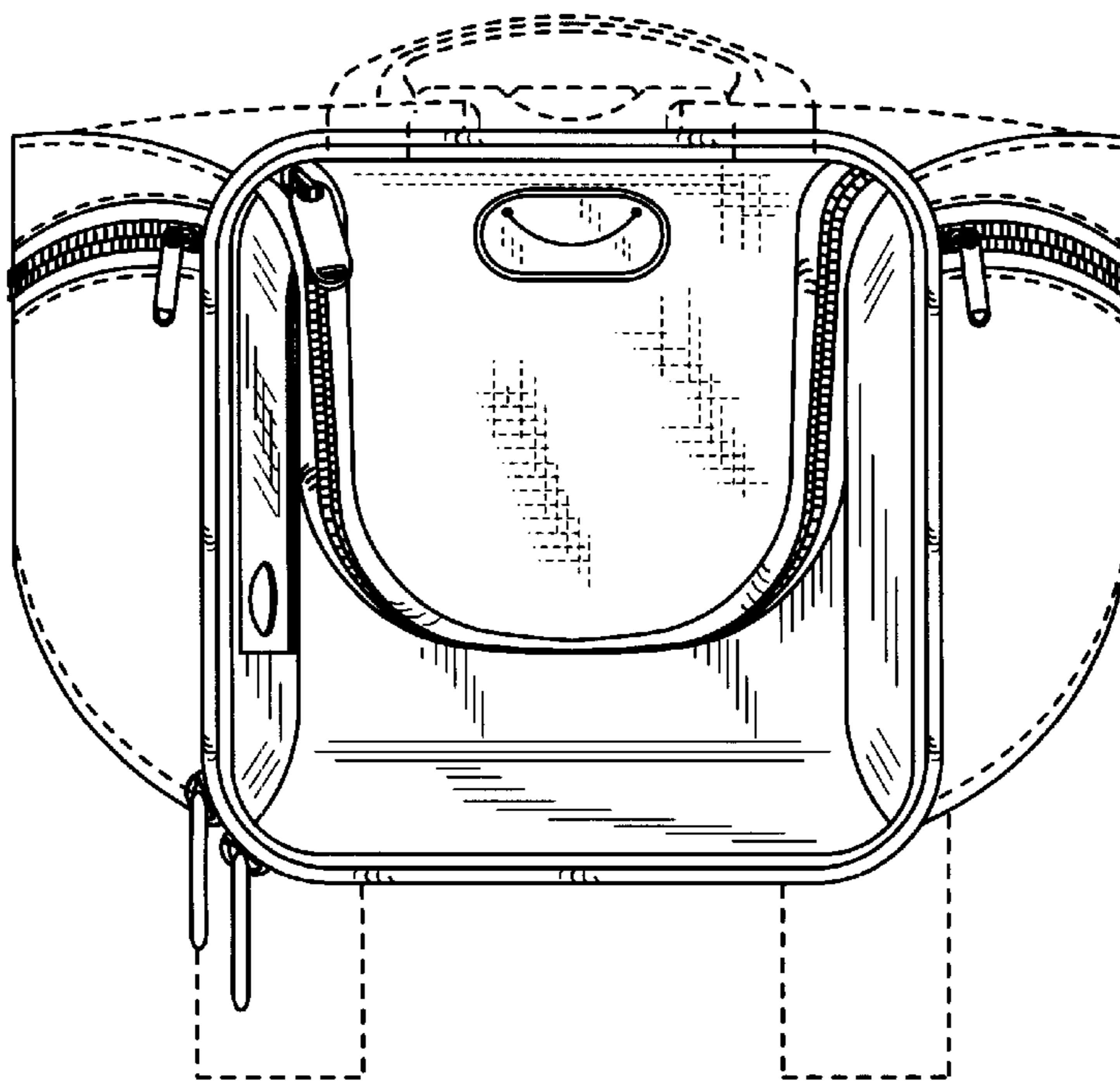


Fig. 2

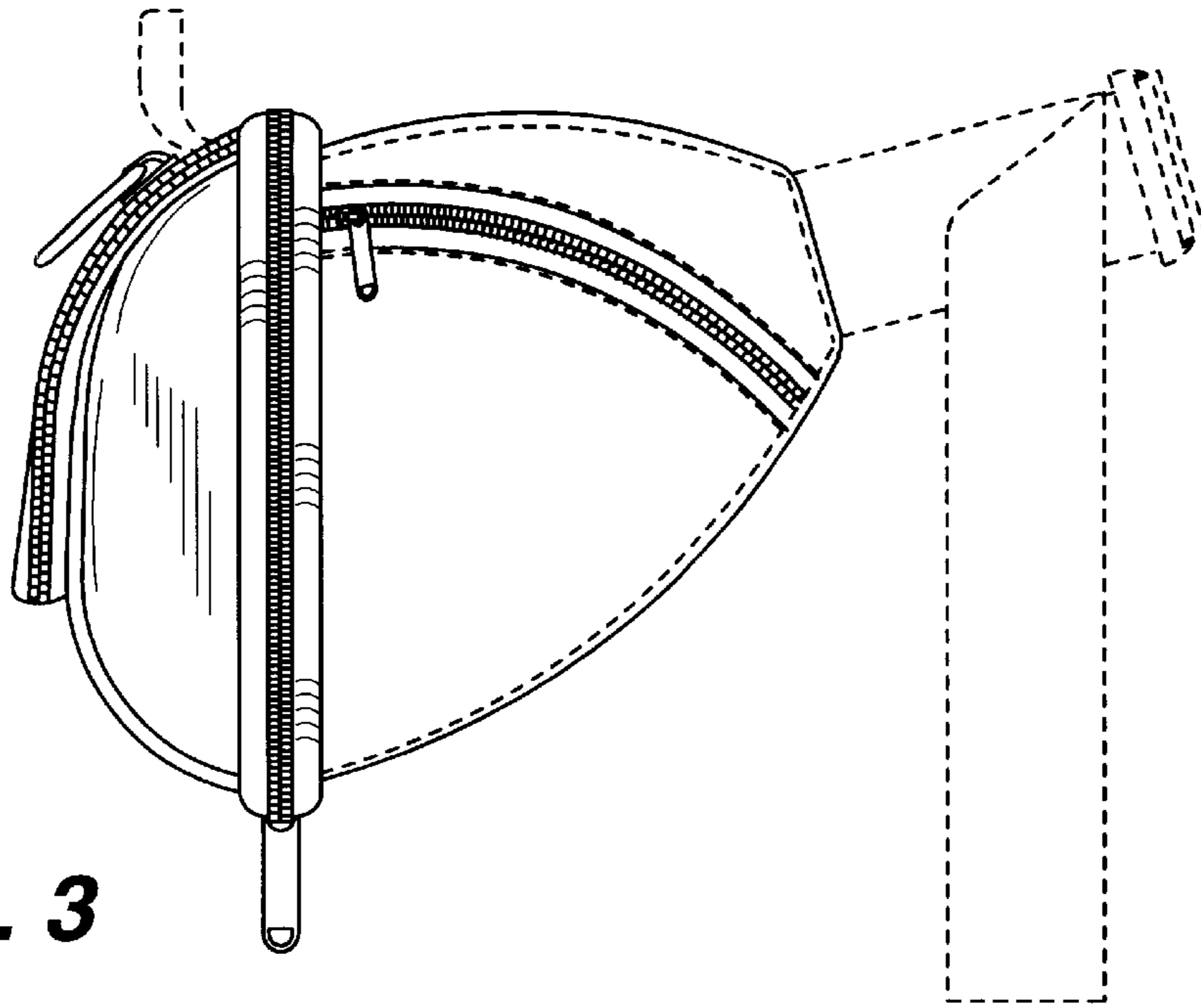


Fig. 3

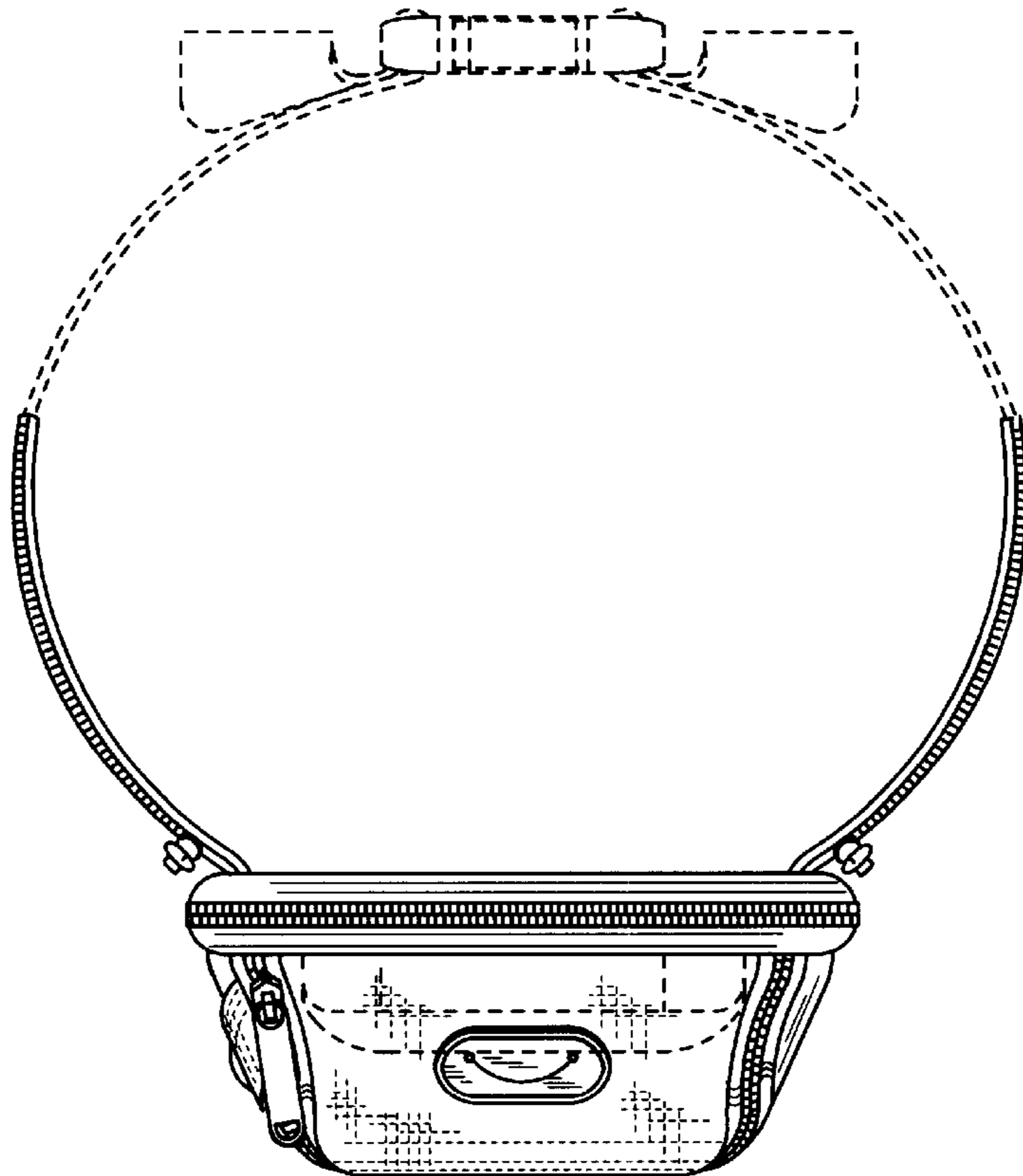


Fig. 4

Fig. 5

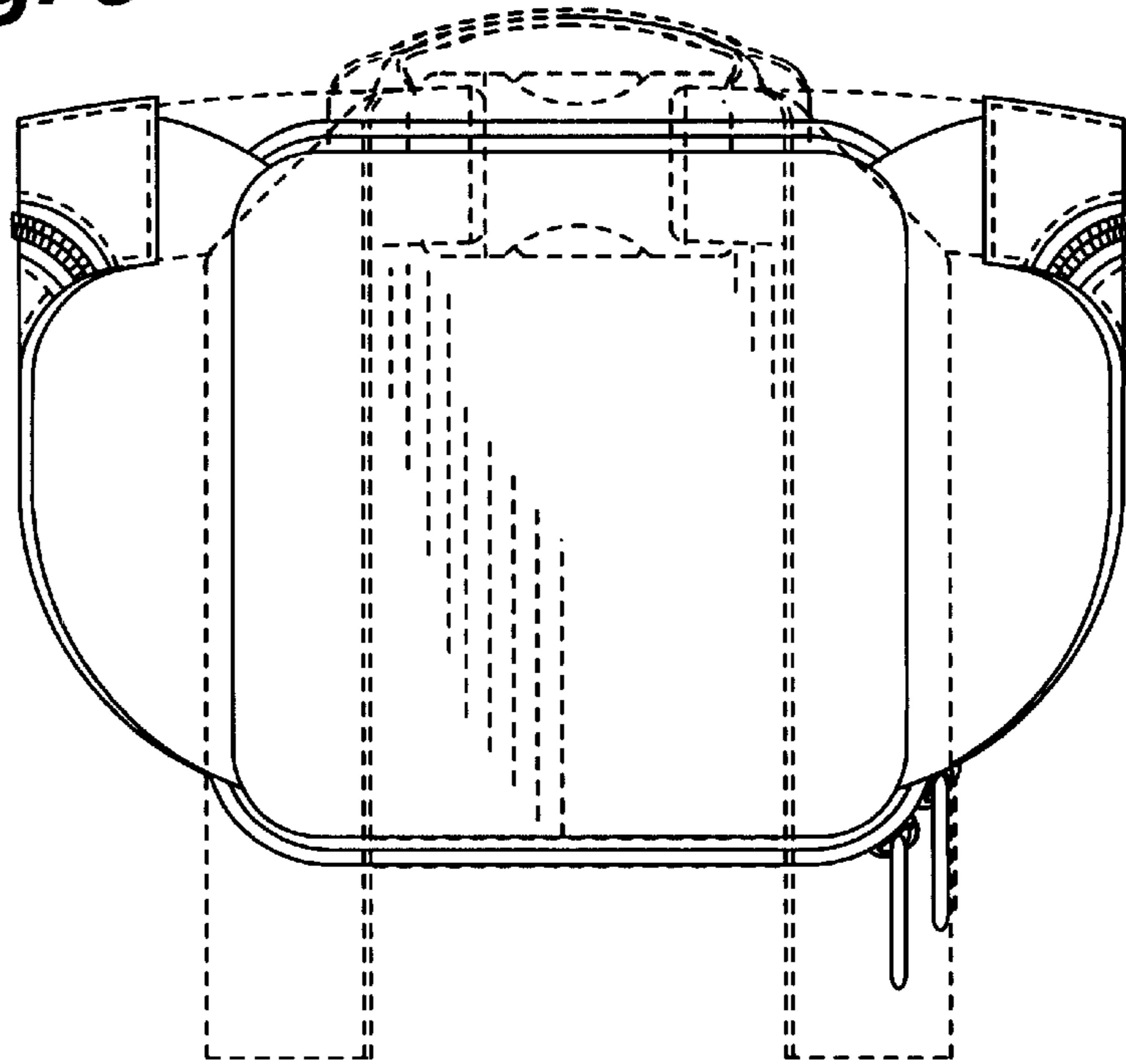
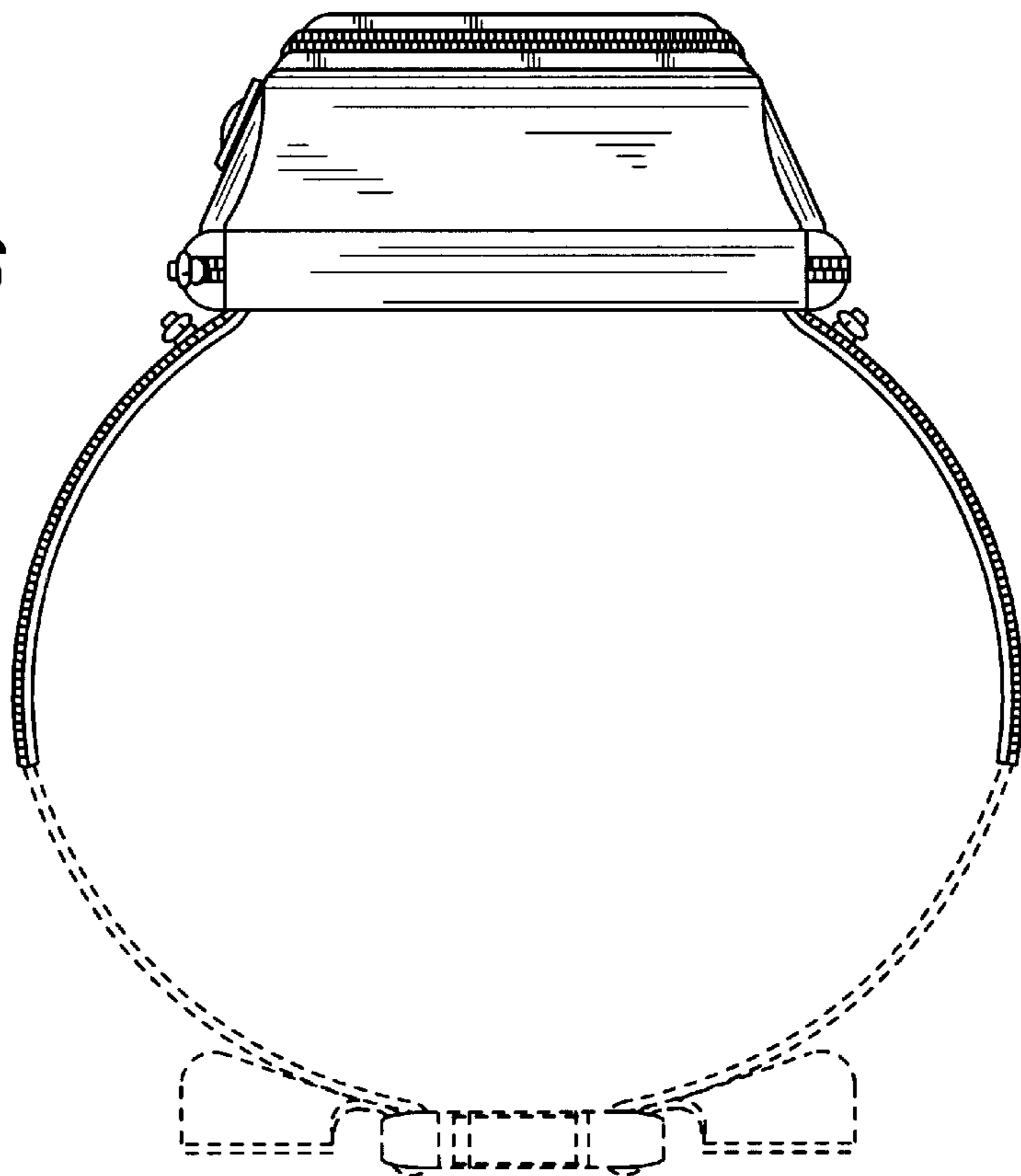


Fig. 6



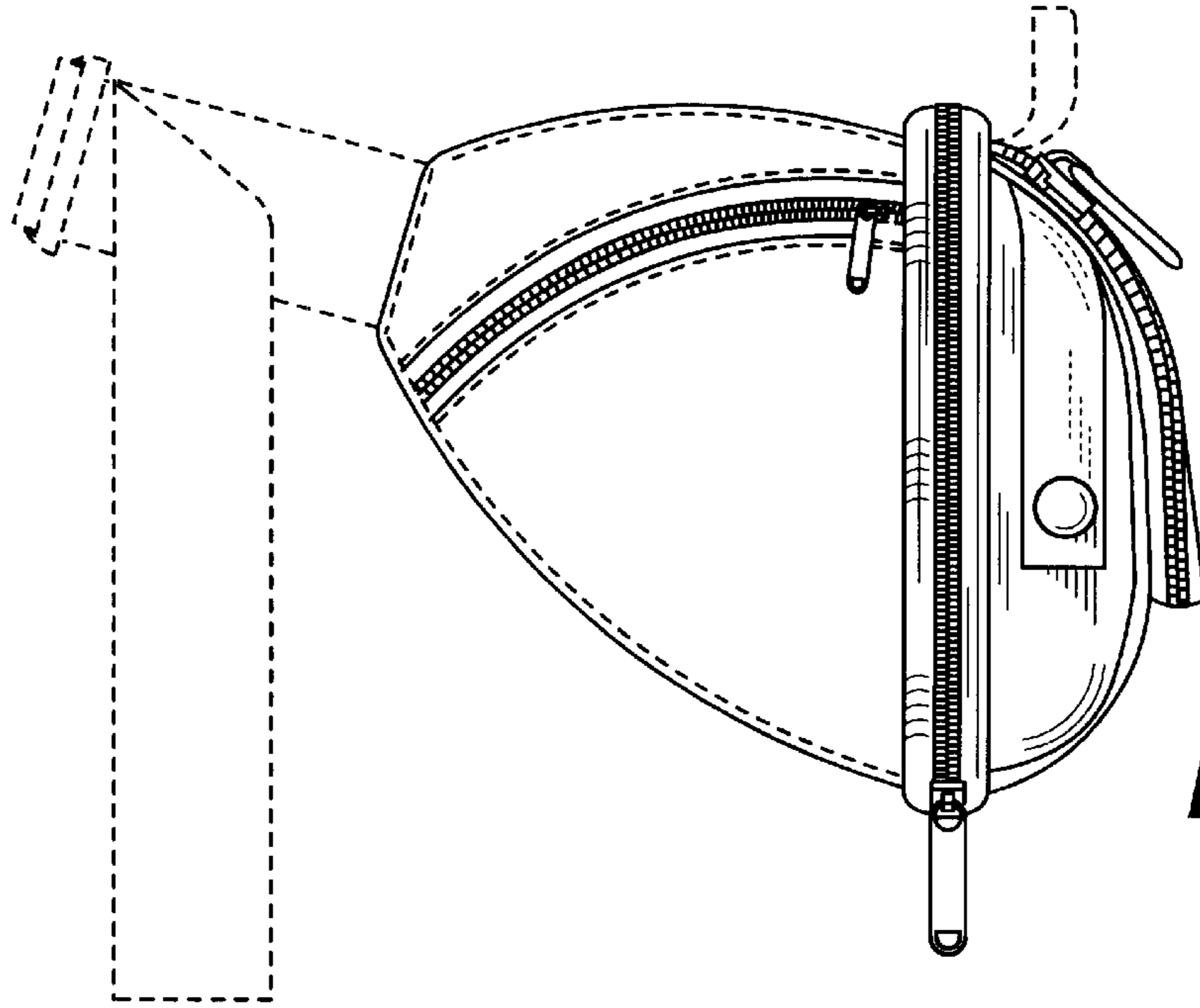


Fig. 7

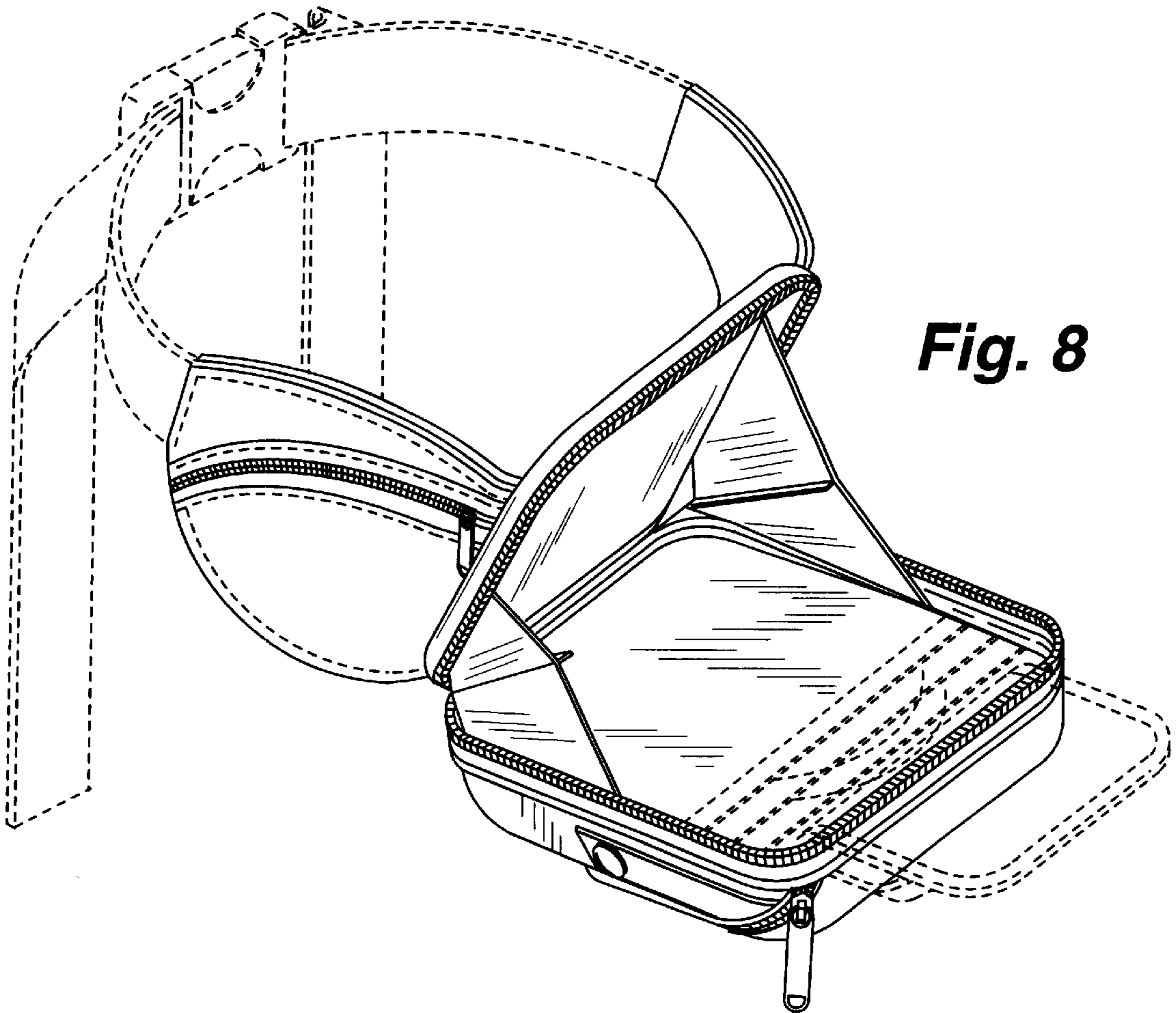


Fig. 8