



US00D472700S

(12) **United States Design Patent**
MacDonald

(10) **Patent No.:** **US D472,700 S**

(45) **Date of Patent:** **** Apr. 8, 2003**

(54) **COMBINED KEY HOLDER AND LIGHT**

Primary Examiner—Ralf Seifert

(74) *Attorney, Agent, or Firm*—Robert J. Doherty

(76) **Inventor:** **Sumner MacDonald**, 44 Ballou Blvd.,
Wristol, RI (US) 02809

(57) **CLAIM**

(**) **Term:** **14 Years**

The ornamental design for a combined key holder and light,
as shown and described.

(21) **Appl. No.:** **29/149,837**

(22) **Filed:** **Oct. 19, 2001**

DESCRIPTION

(51) **LOC (7) Cl.** **03-01**

FIG. 1 is a front perspective view of a key holder and light
showing my new design;

(52) **U.S. Cl.** **D3/209**

FIG. 2 is a front elevational view thereof;

(58) **Field of Search** D3/207–211; D11/221;
D26/38, 46; 70/456 R, 456 B; D87/347;
24/36

FIG. 3 is a rear elevational view thereof;

FIG. 4 is a left side elevational view thereof;

FIG. 5 is a right side elevational view thereof;

FIG. 6 is a top plan view thereof; and,

FIG. 7 is a bottom plan view thereof.

(56) **References Cited**

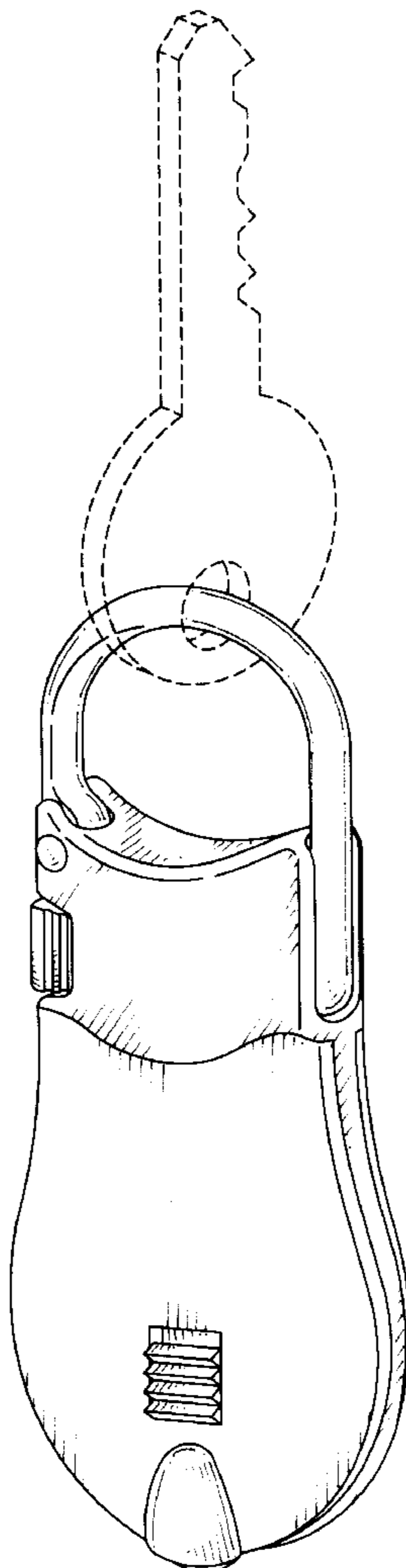
U.S. PATENT DOCUMENTS

D380,896 S	*	7/1997	Grant	D3/208
D431,355 S	*	10/2000	Boyd, Jr.	D3/209
D441,185 S	*	5/2001	Shimizu et al.	D3/207
D441,524 S	*	5/2001	Shimizu et al.	D3/207

The broken line showing a key in FIG. 1 is for illustrative
purposes and forms no part of the claimed design.

* cited by examiner

1 Claim, 3 Drawing Sheets



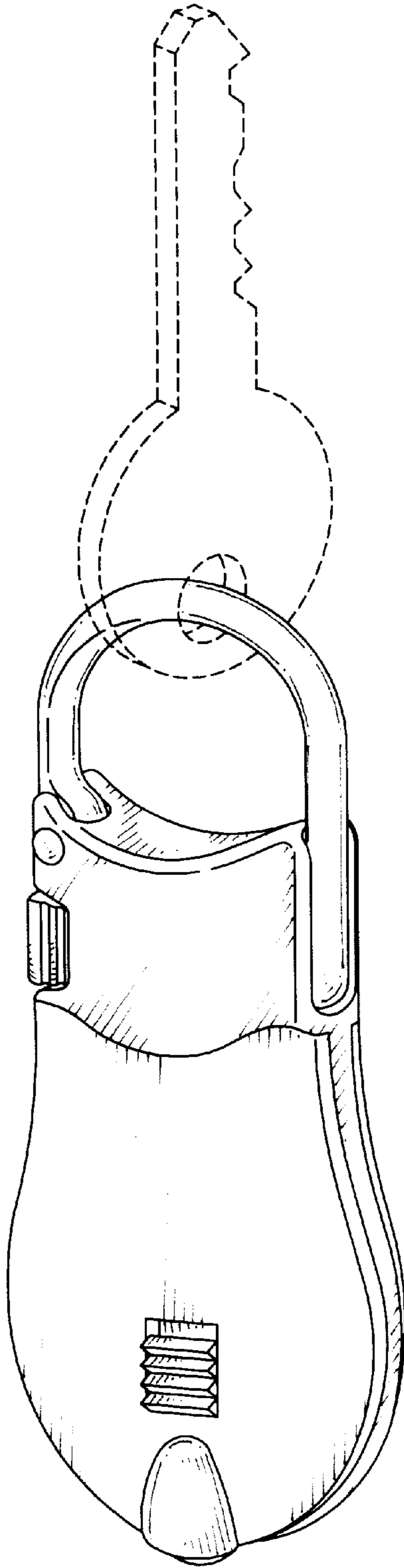


FIG. 1

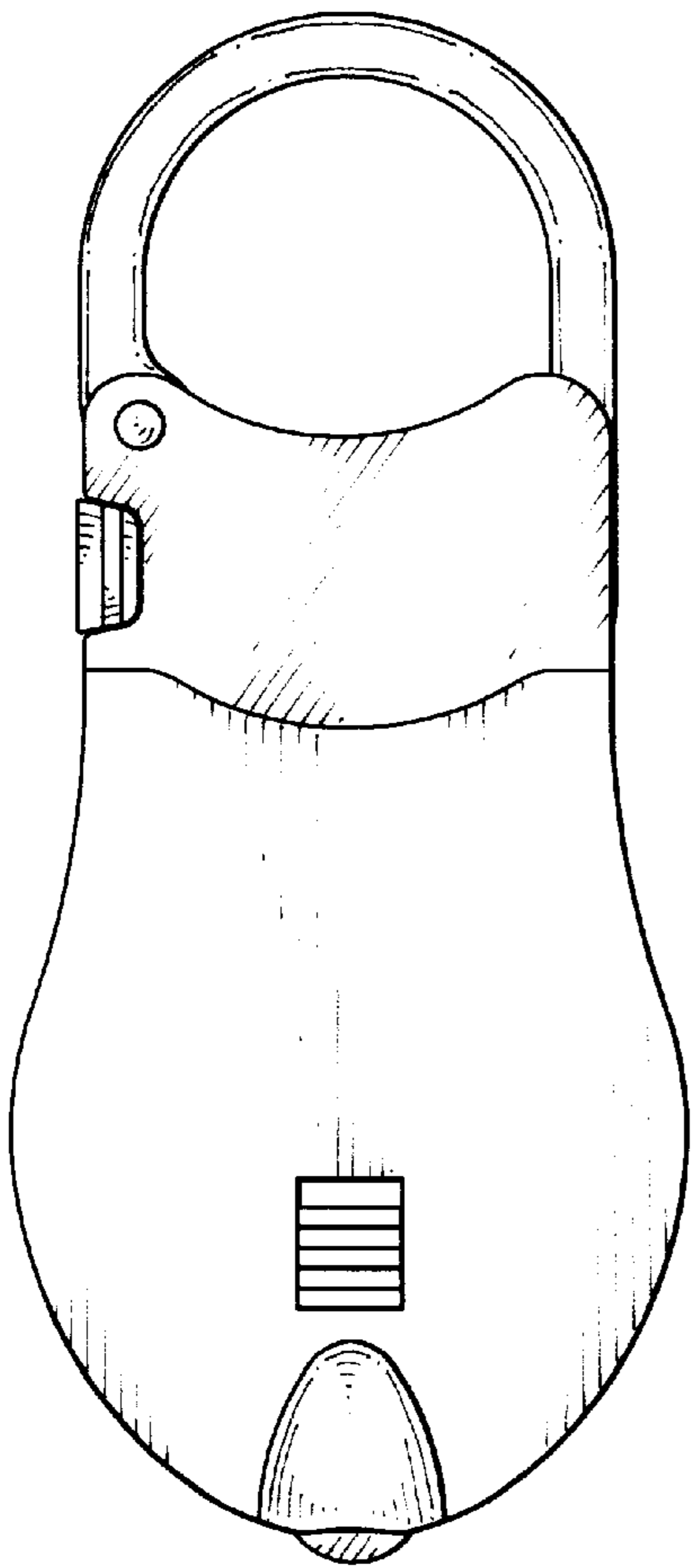


FIG. 2

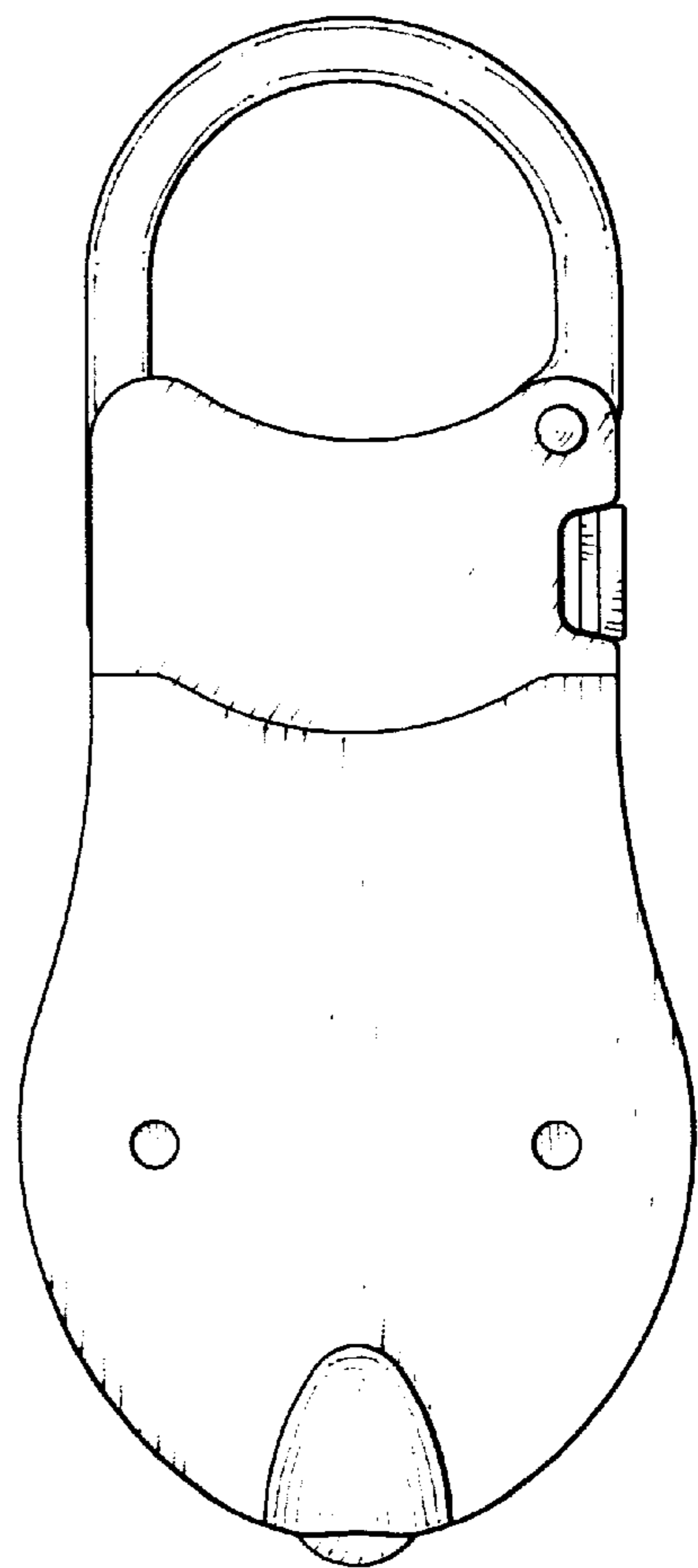


FIG. 3



FIG. 4



FIG. 5

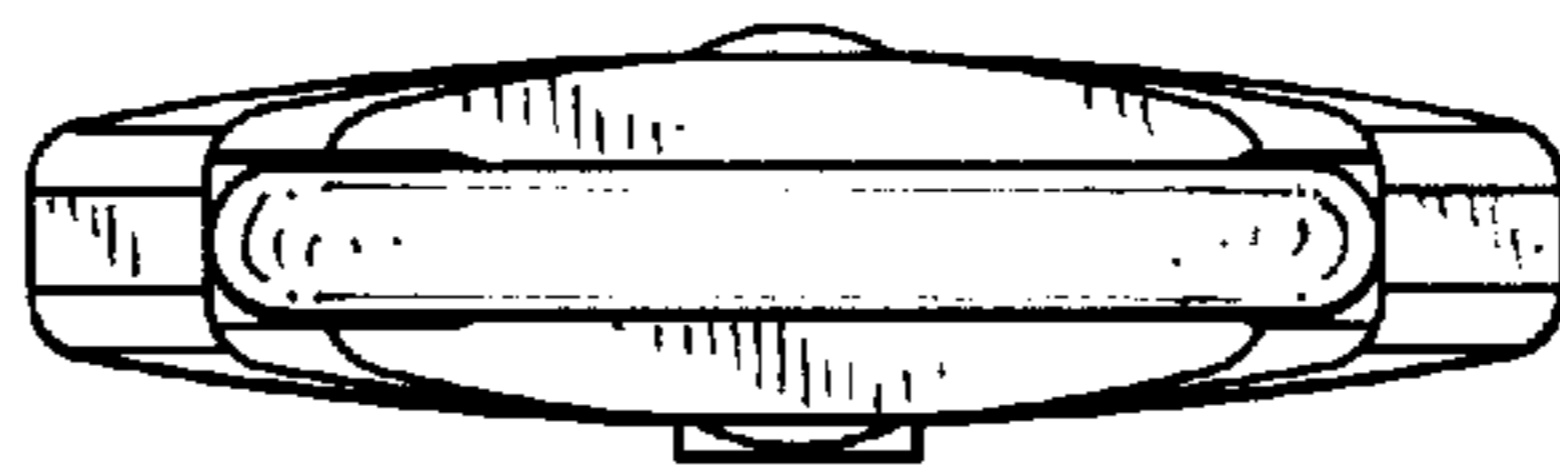


FIG. 6

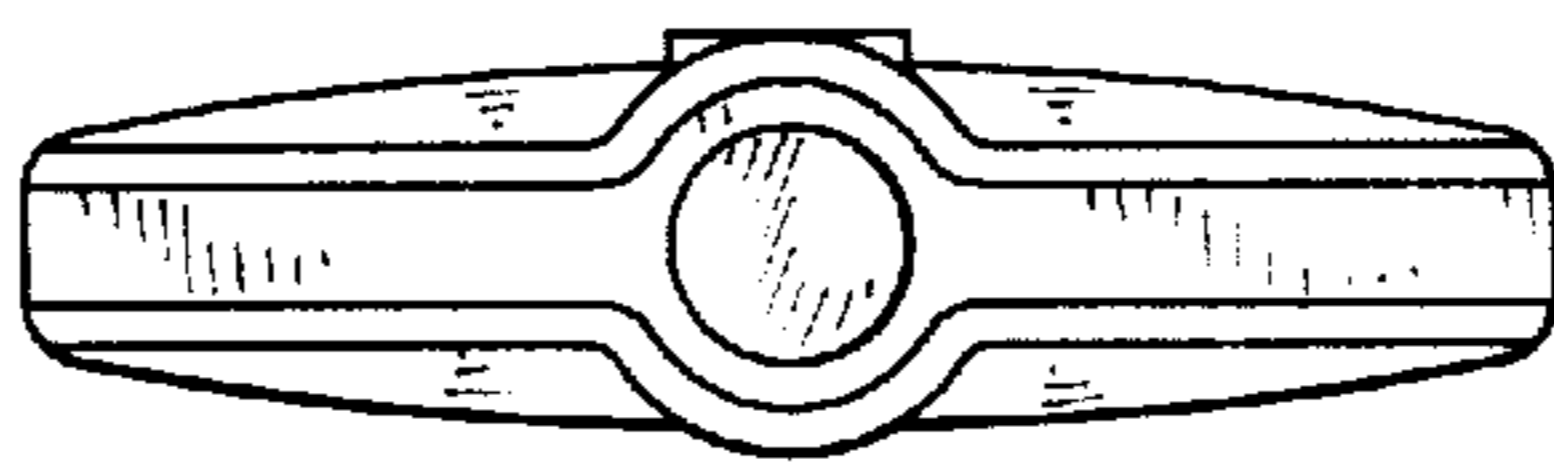


FIG. 7