



US00D472690S

(12) **United States Design Patent**  
**Grover**

(10) **Patent No.:** **US D472,690 S**

(45) **Date of Patent:** **\*\* Apr. 1, 2003**

(54) **LOAD PLATFORM**

(75) **Inventor:** **Donald D. Grover**, Rothschild, WI (US)

(73) **Assignee:** **Fulton Performance Products, Inc.**, Mosinee, WI (US)

(\*\*) **Term:** **14 Years**

(21) **Appl. No.:** **29/149,086**

(22) **Filed:** **Oct. 2, 2001**

(51) **LOC (7) Cl.** ..... **12-05**

(52) **U.S. Cl.** ..... **D34/28**

(58) **Field of Search** ..... D34/28, 33; 187/200; 414/343, 546, 558, 921

(56) **References Cited**

**U.S. PATENT DOCUMENTS**

4,214,849	A	*	7/1980	Downing	.....	414/546
4,474,527	A	*	10/1984	Risner et al.	.....	414/921
4,476,959	A	*	10/1984	Tortellier	.....	187/200
4,503,983	A	*	3/1985	Lew	.....	414/921
4,718,812	A	*	1/1988	Smalley et al.	.....	414/921
4,982,595	A	*	1/1991	Fiorese	.....	187/200
5,018,651	A		5/1991	Hull et al.		
5,180,275	A	*	1/1993	Czech et al.	.....	414/540
5,228,538	A	*	7/1993	Tremblay	.....	414/921
5,261,779	A	*	11/1993	Goodrich	.....	414/546
5,620,126	A		4/1997	Janek		
6,042,327	A	*	3/2000	DeLeo et al.	.....	414/546

6,053,693	A	*	4/2000	Ringahl et al.	.....	414/921
6,086,314	A	*	7/2000	Savaria	.....	414/546
D440,728	S	*	4/2001	Schlangen	.....	D34/28
6,343,908	B1	*	2/2002	Oudsten et al.	.....	414/921
6,379,102	B1	*	4/2002	Kameda	.....	414/546

**OTHER PUBLICATIONS**

U.S. Patent Application Publication No. 2002/0005423; Hitch-Mounted Tilting Cargo Carrier; published Jan. 17, 2002; Utility patent application Ser. No. 09/851,690, filed May 9, 2001. Nonprovisional of provisional application No. 60/204,657, filed on May 17, 2000.

\* cited by examiner

*Primary Examiner*—Cynthia E. Ramirez

(74) *Attorney, Agent, or Firm*—King & Schickli, PLLC

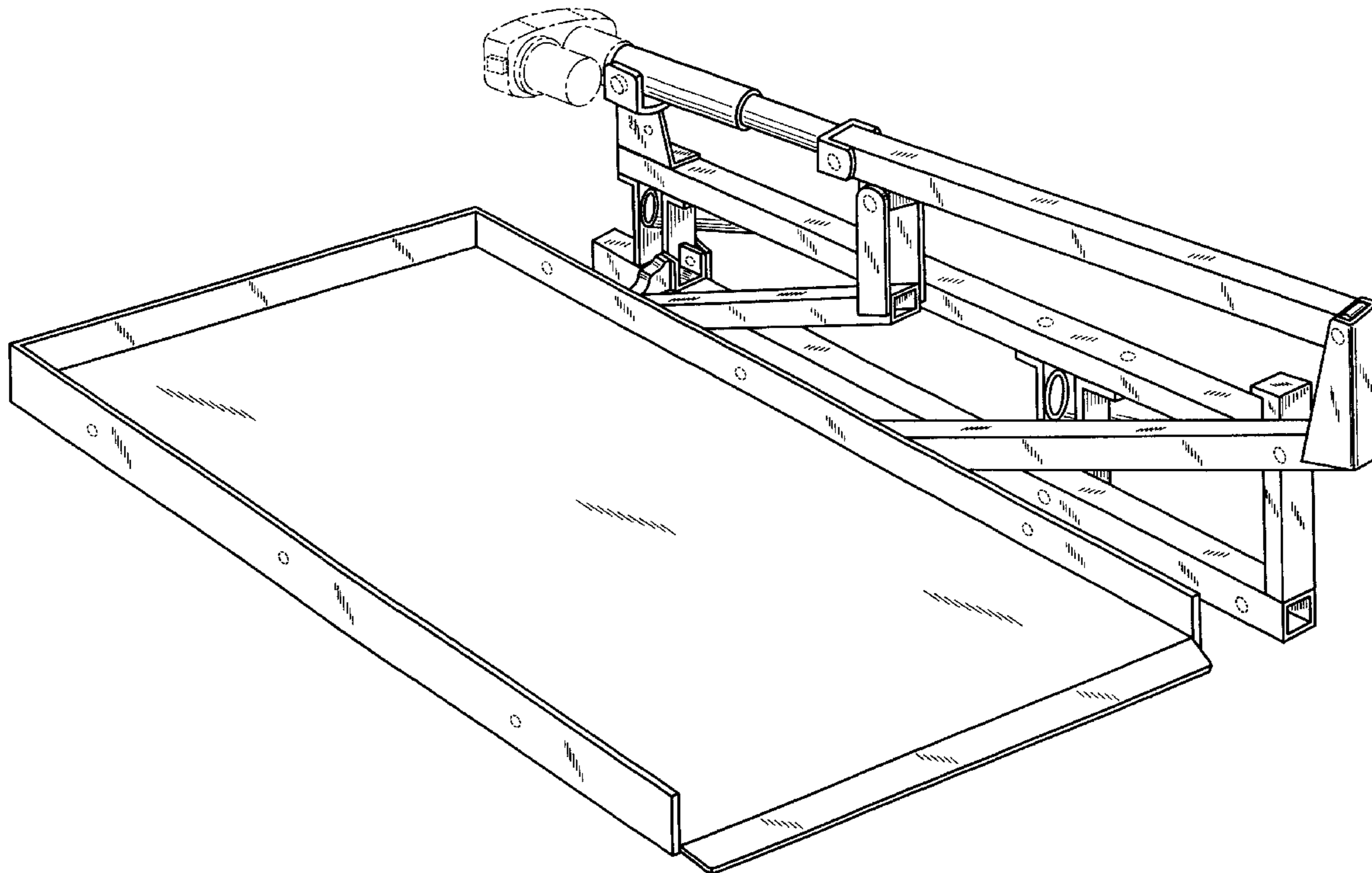
(57) **CLAIM**

The ornamental design of a load platform, as shown and described.

**DESCRIPTION**

FIG. 1 is a perspective view of the load platform of the present invention; FIG. 2 is a front elevational view thereof; FIG. 3 is a left side elevational view thereof; FIG. 4 is a rear elevational view thereof; FIG. 5 is a right side elevation view thereof; and, FIG. 6 is a top plan view thereof.

**1 Claim, 4 Drawing Sheets**



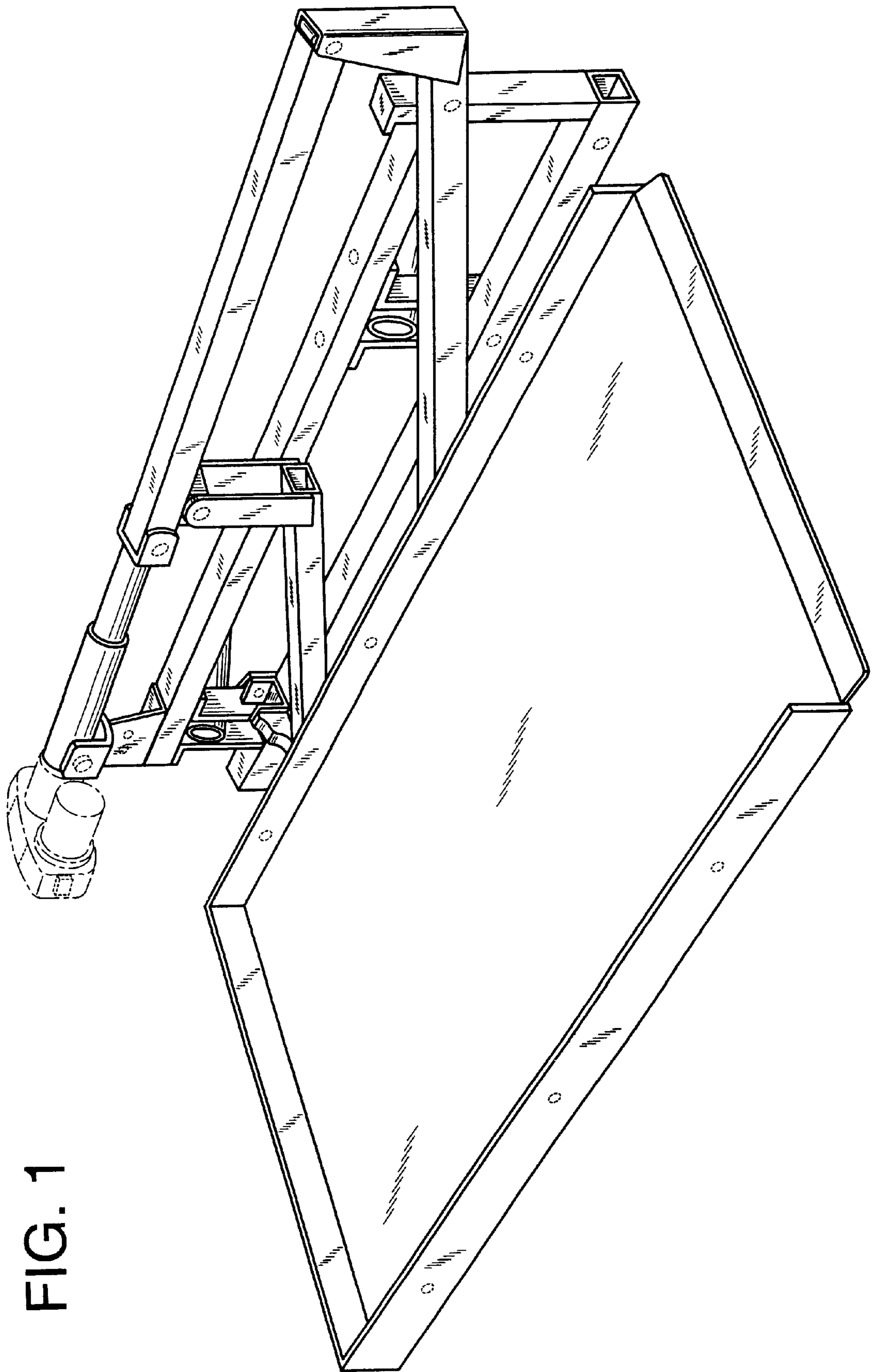


FIG. 1

FIG. 2

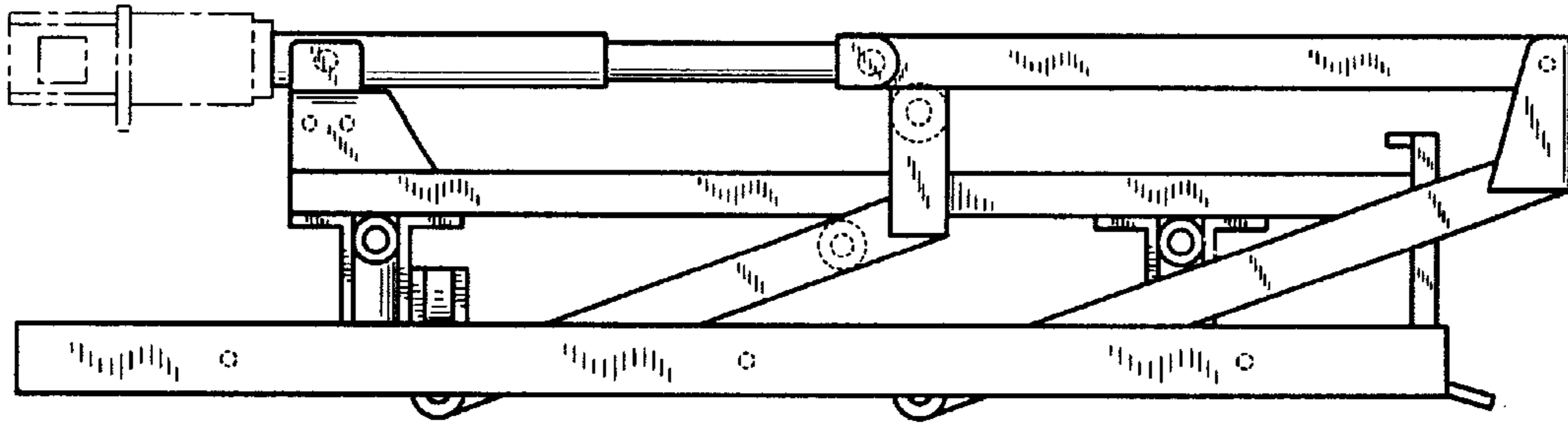


FIG. 3

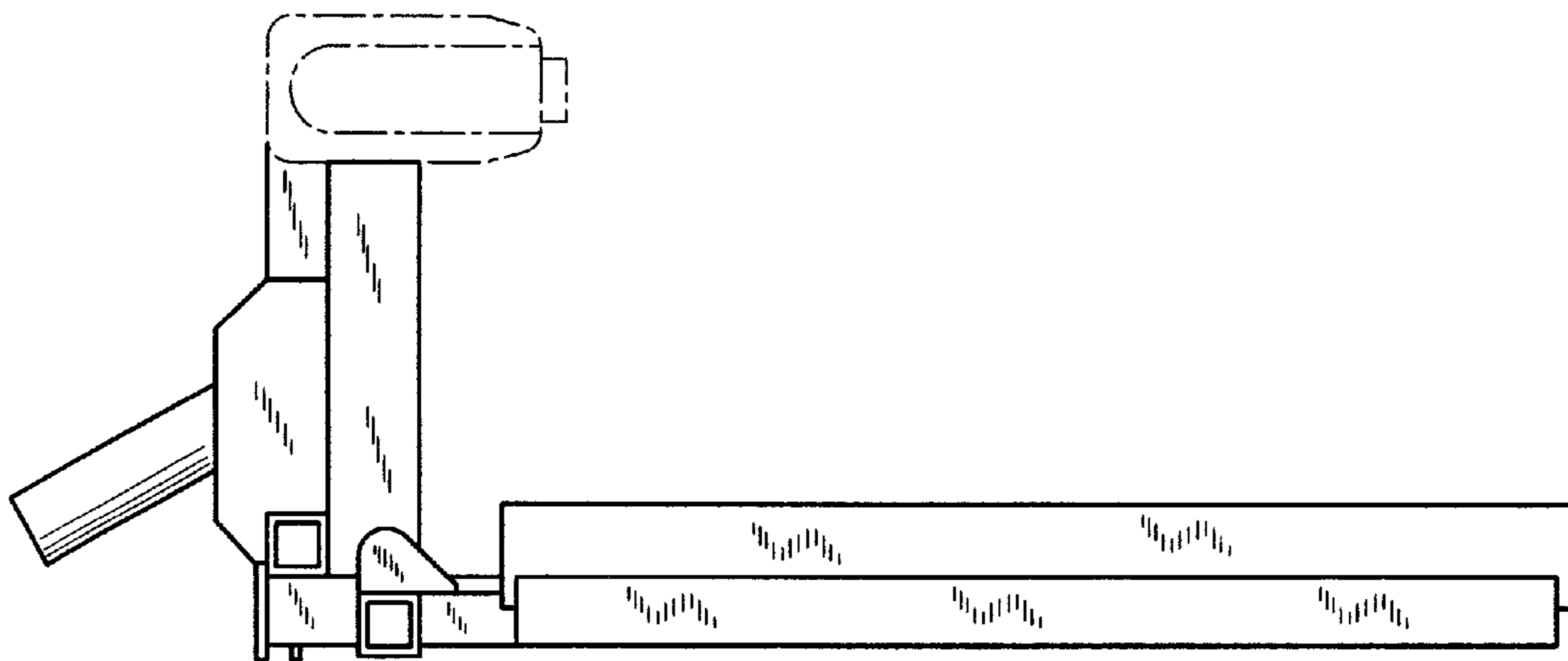


FIG. 4

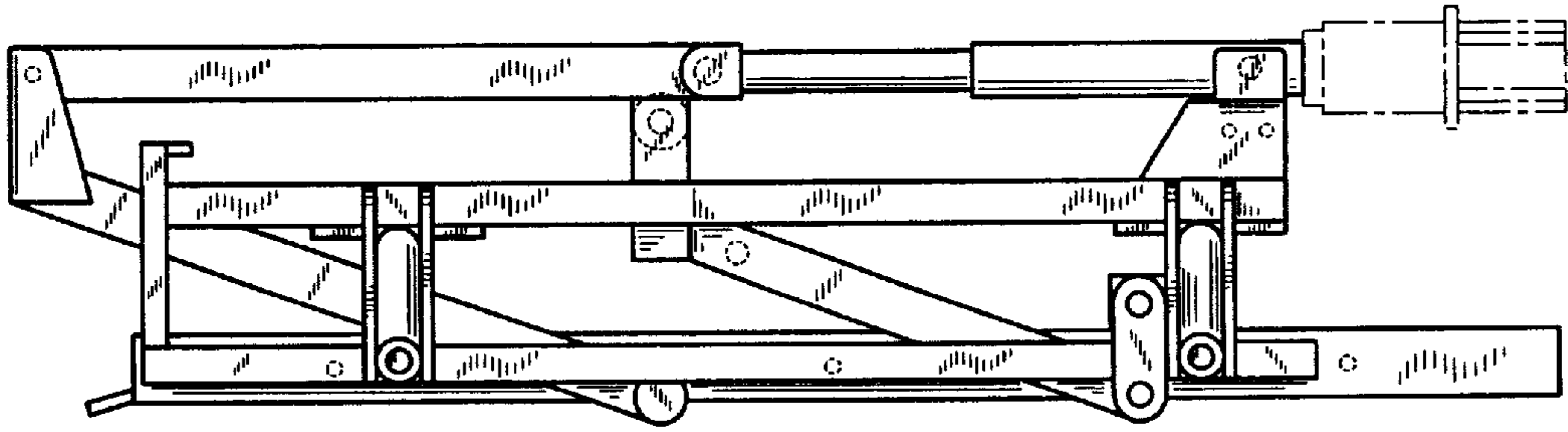
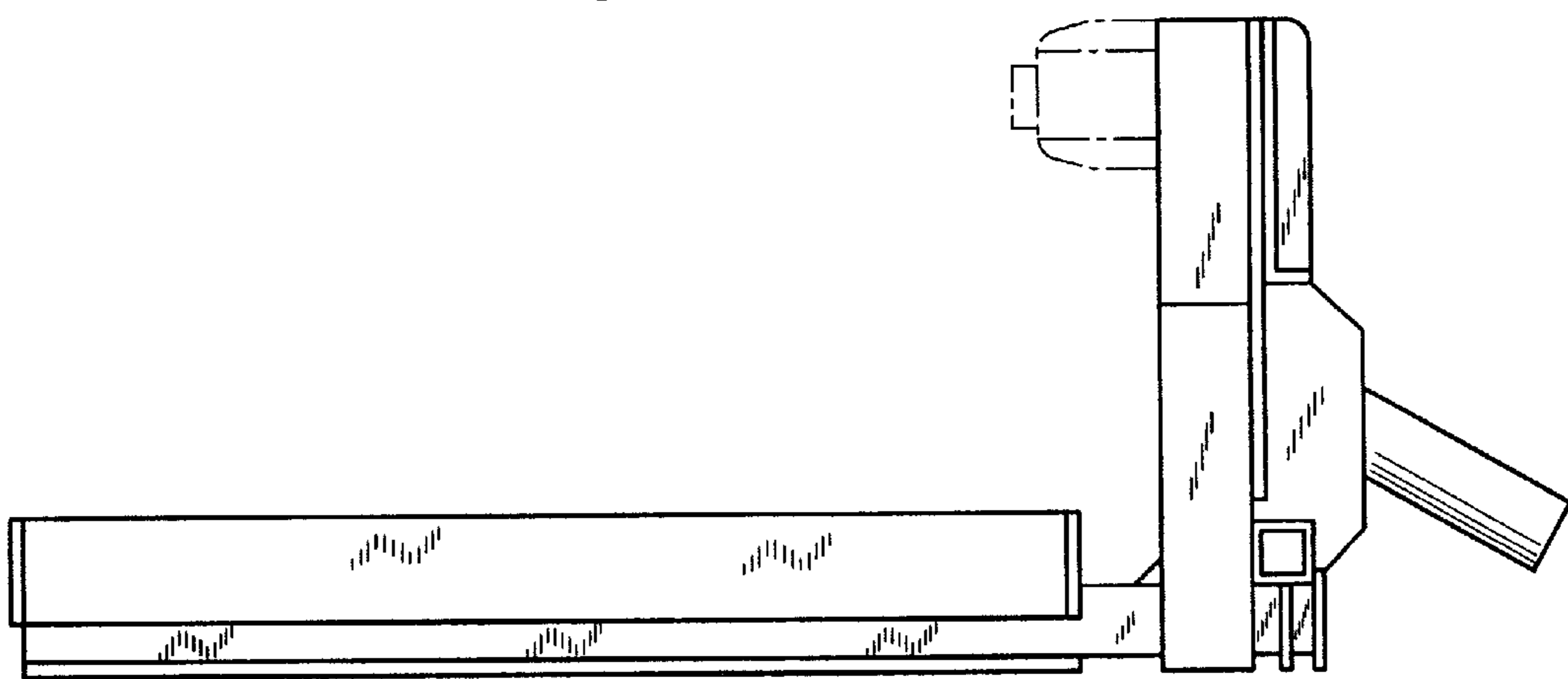


FIG. 5



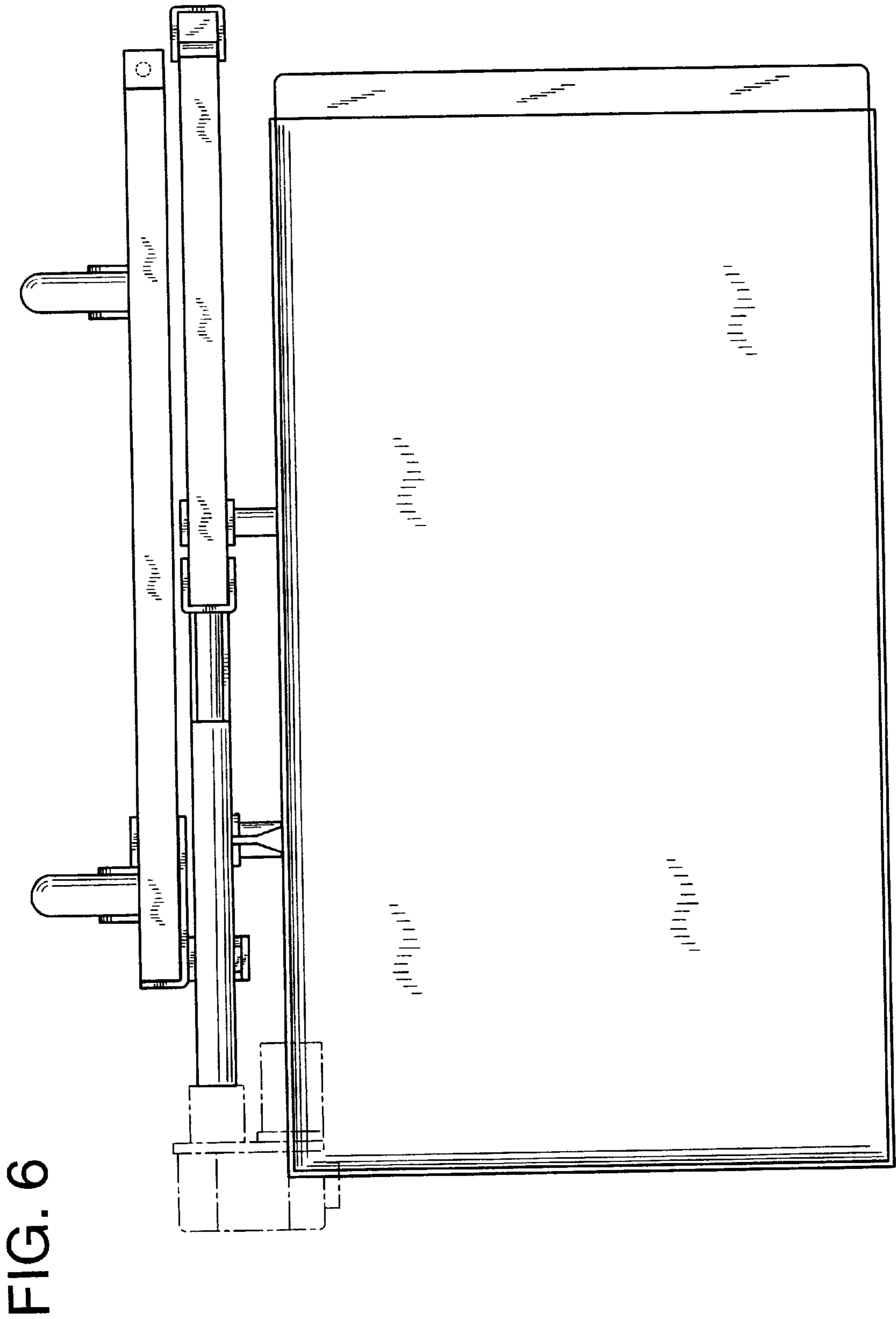


FIG. 6