



US00D472686S

(12) **United States Design Patent**
Lin

(10) **Patent No.:** **US D472,686 S**

(45) **Date of Patent:** **** Apr. 1, 2003**

(54) **GARBAGE CAN**

(76) Inventor: **Tsong-Yow Lin**, 58, Ma Yuan West St.,
Taichung (TW)

(**) Term: **14 Years**

(21) Appl. No.: **29/156,996**

(22) Filed: **Mar. 12, 2002**

(51) **LOC (7) Cl.** **09-09**

(52) **U.S. Cl.** **D34/7**

(58) **Field of Search** D34/1, 7, 8, 9,
D34/10; 220/675, 913, 908, 909, 910, 911;
D32/37

(56) **References Cited**

U.S. PATENT DOCUMENTS

D381,784 S	*	7/1997	Keller et al.	D34/9
D447,308 S	*	8/2001	Lin	D34/9
D447,611 S	*	9/2001	Lin	D34/9
D450,901 S	*	11/2001	Lin	D34/9
D453,252 S	*	1/2002	Lin	D34/9
D453,253 S	*	1/2002	Lin	D34/9
D453,600 S	*	2/2002	Lin	D34/9
D453,870 S	*	2/2002	Lin	D34/9

D454,239 S	*	3/2002	Lin	D34/9
D460,595 S	*	7/2002	Lin	D34/7
D465,329 S	*	11/2002	Lin	D34/7
D465,630 S	*	11/2002	Lin	D34/9
D465,893 S	*	11/2002	Lin	D34/9
D465,894 S	*	11/2002	Lin	D34/9
D466,265 S	*	11/2002	Lin	D34/9
D466,667 S	*	12/2002	Lin	D34/9

* cited by examiner

Primary Examiner—Cynthia E. Ramirez

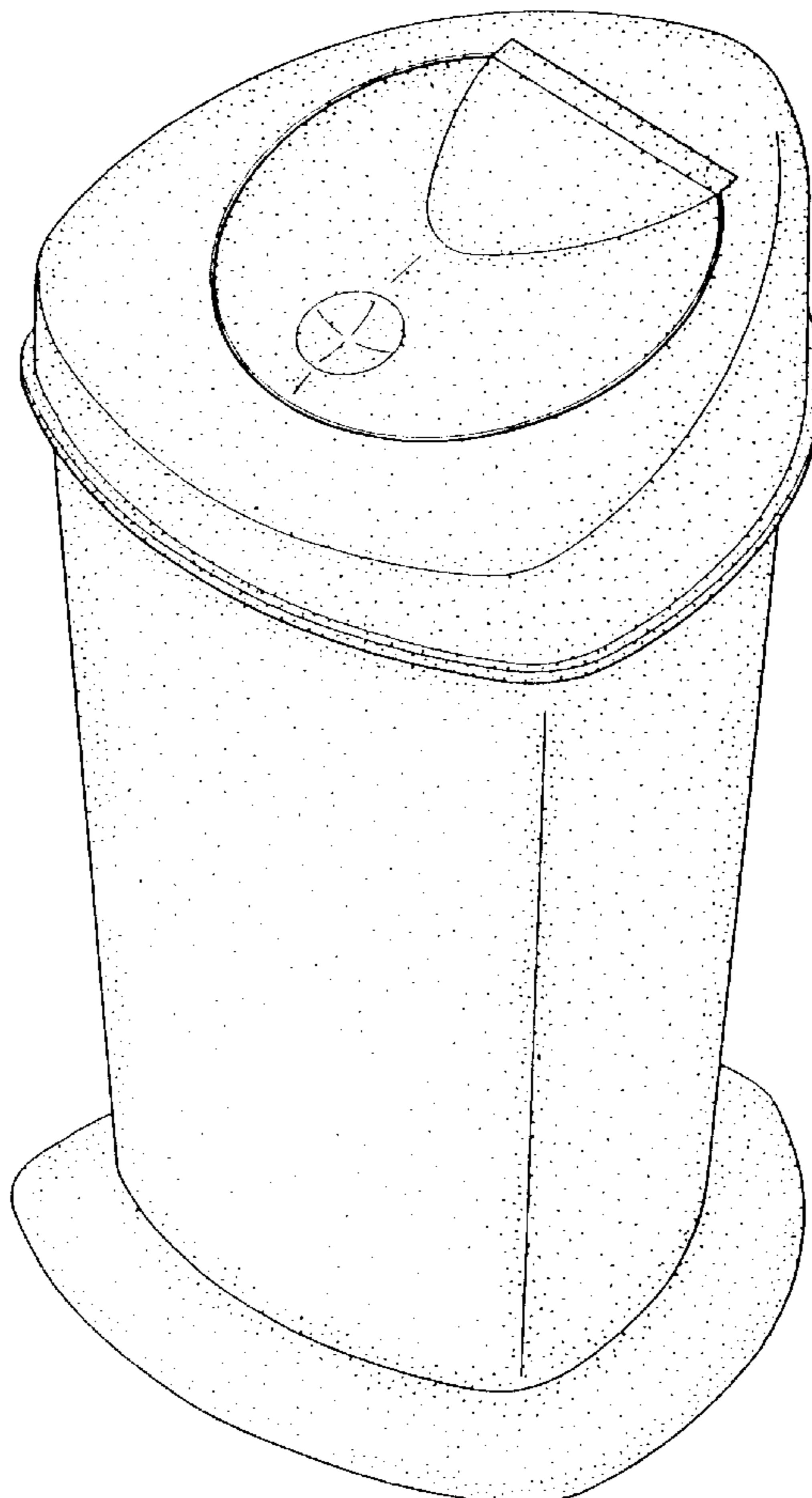
(57) **CLAIM**

The ornamental design for a garbage can, as shown and described.

DESCRIPTION

FIG. 1 is a perspective view of a garbage can showing my new design;
FIG. 2 is a front elevational view thereof;
FIG. 3 is a rear elevational view thereof;
FIG. 4 is a left side elevational view thereof;
FIG. 5 is a right side elevational view thereof;
FIG. 6 is a top plan view thereof; and,
FIG. 7 is a bottom plan view thereof.

1 Claim, 7 Drawing Sheets



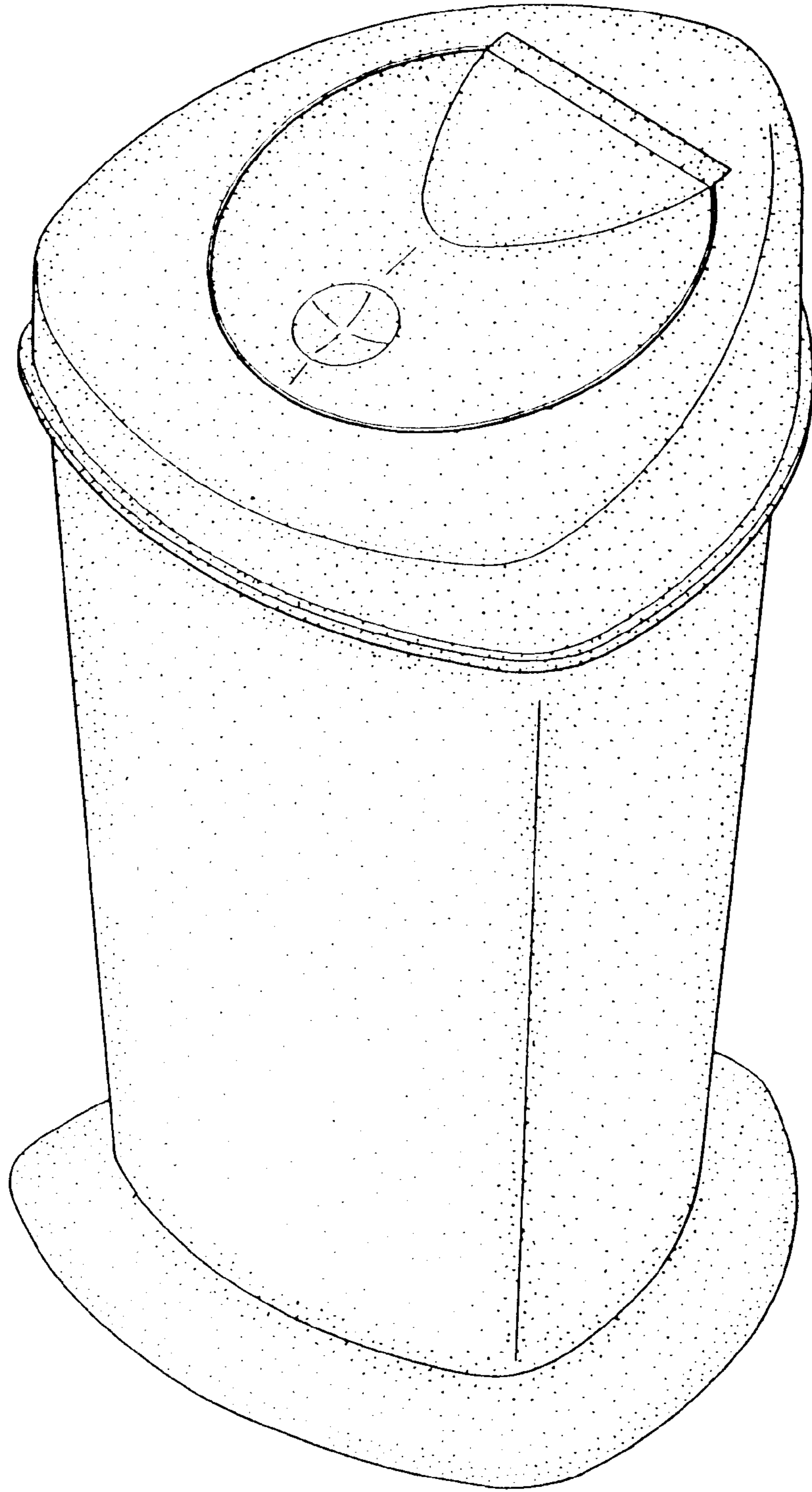


FIG. 1

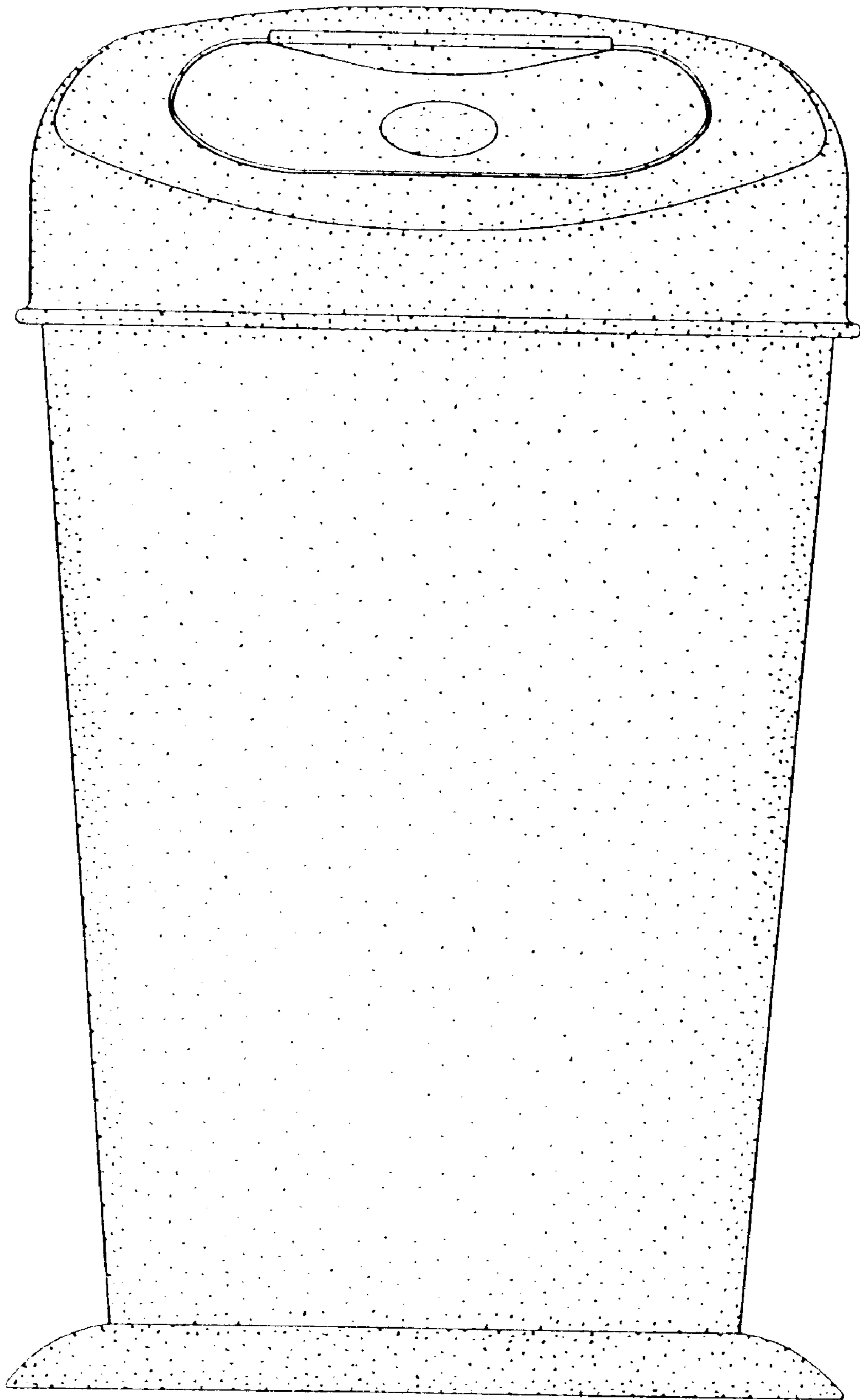


FIG. 2

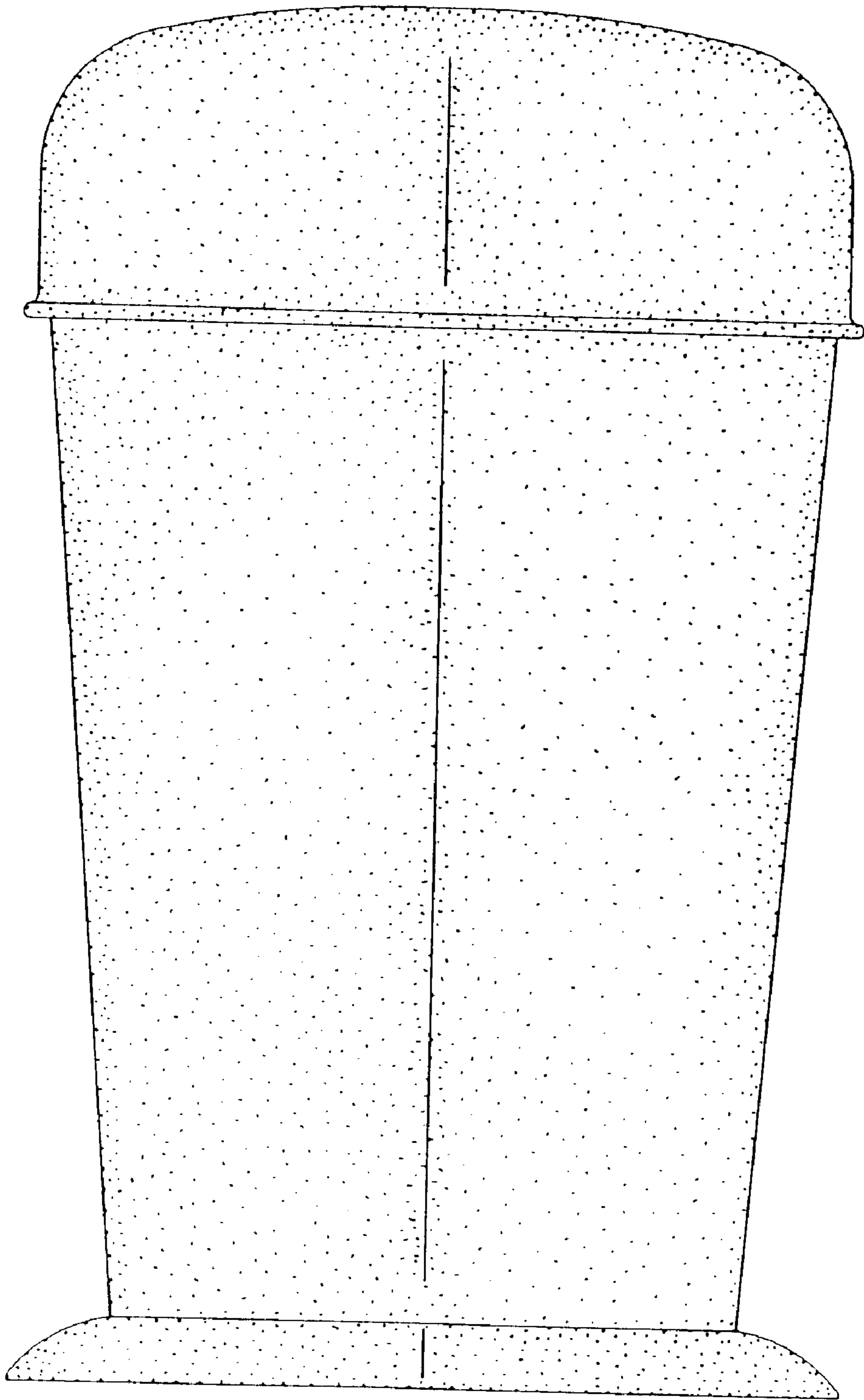


FIG. 3

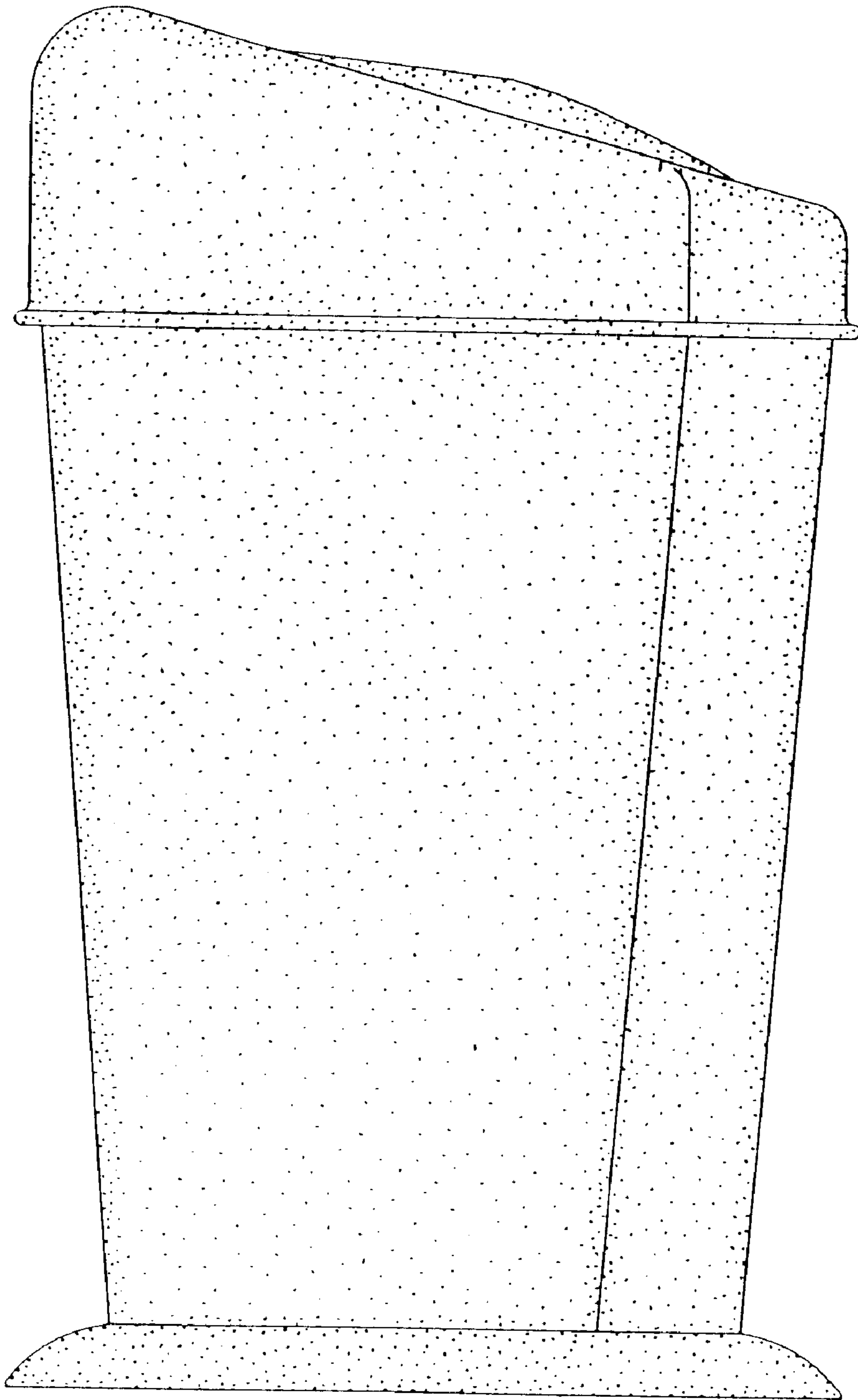


FIG. 4

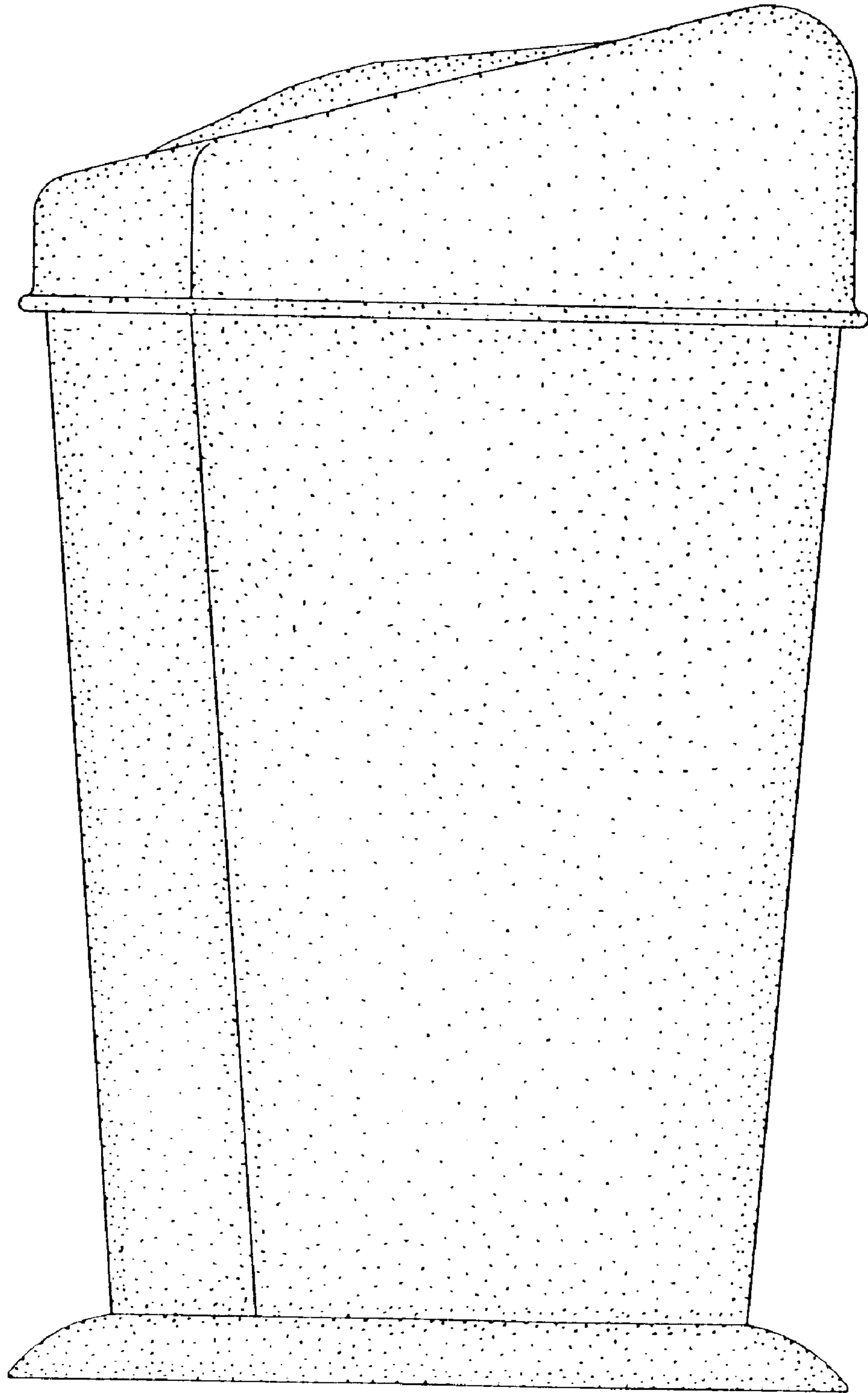


FIG. 5

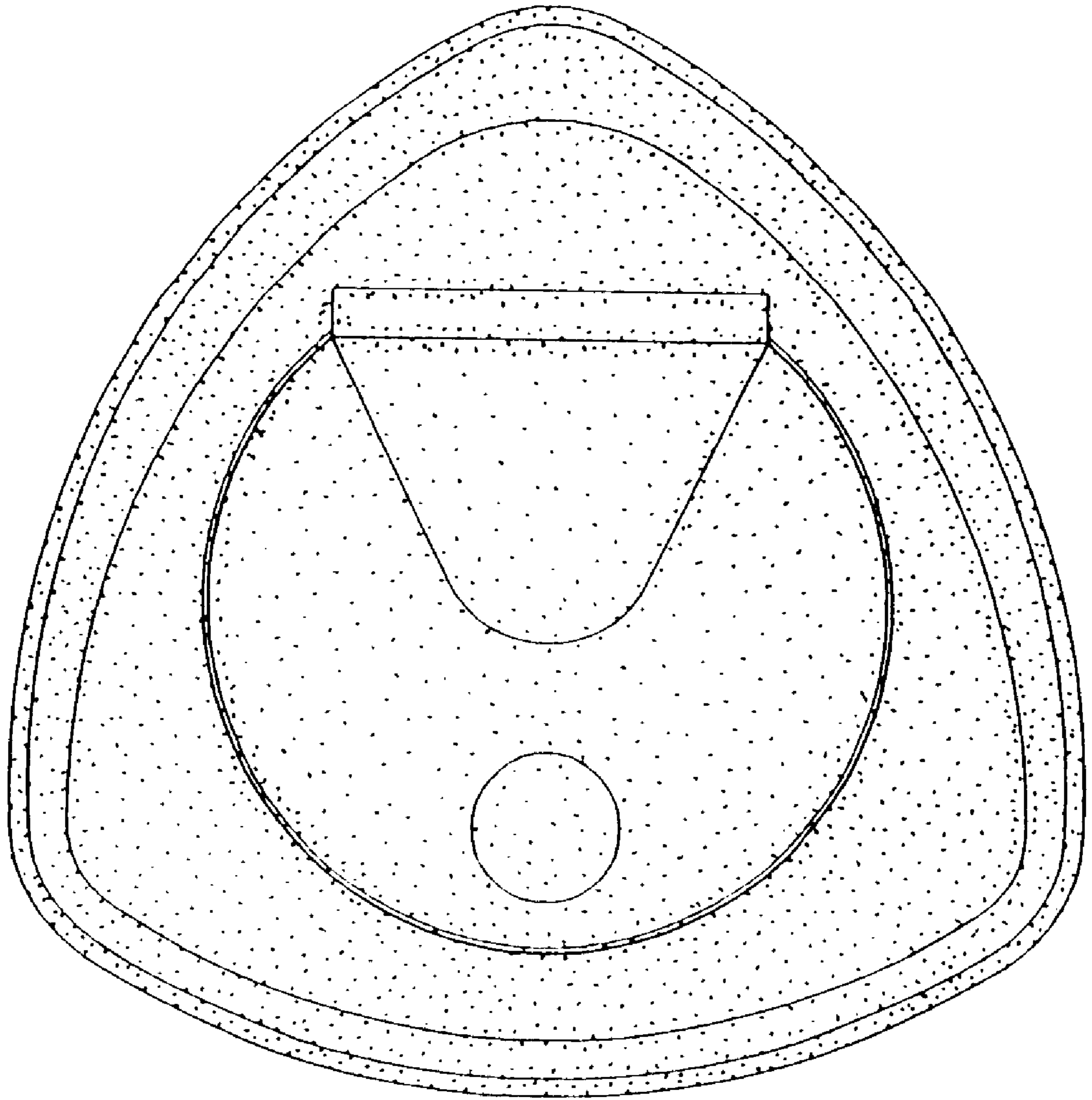


FIG. 6

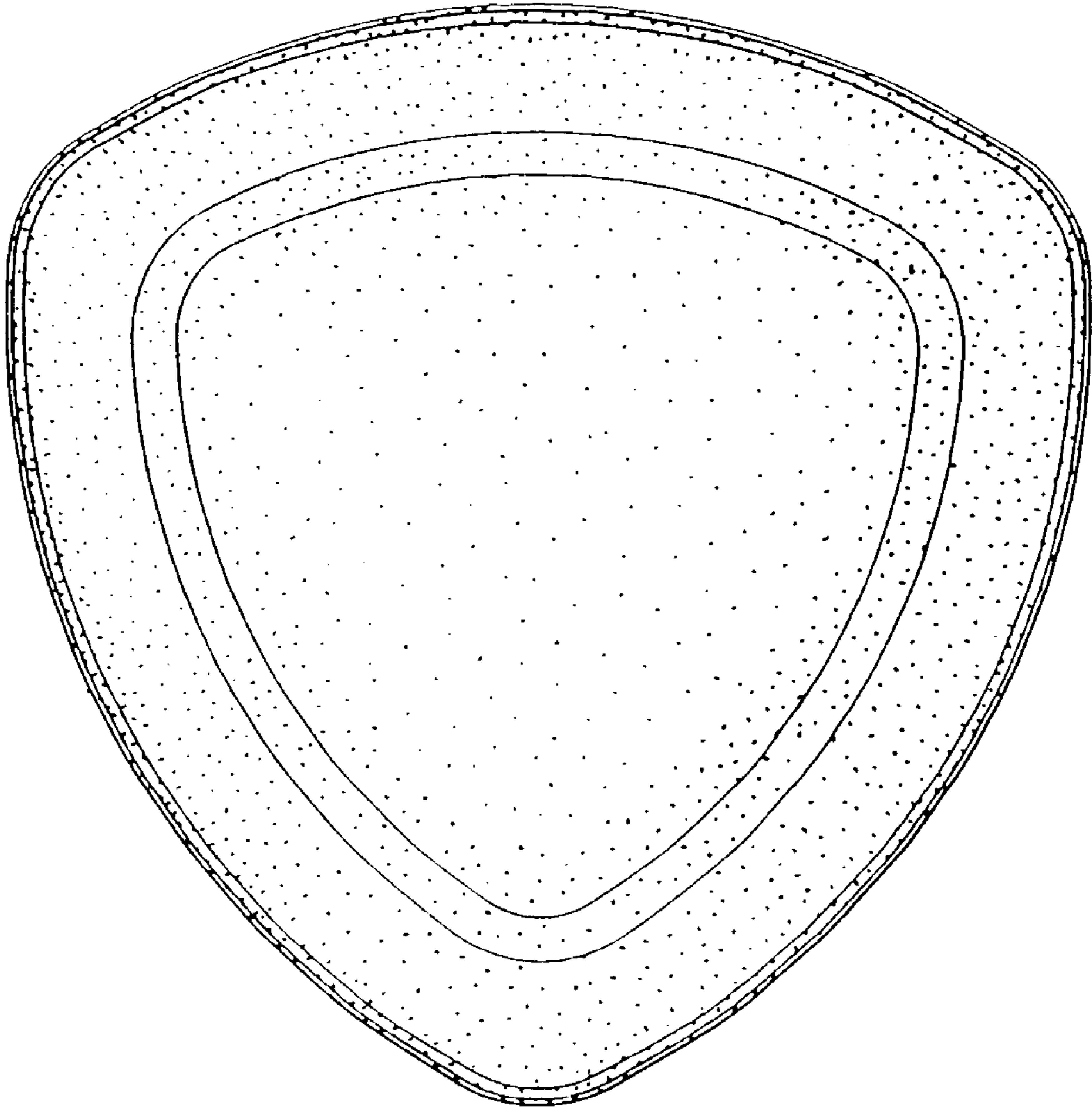


FIG. 7