



US00D472685S

(12) **United States Design Patent**
Hedstrom

(10) **Patent No.:** **US D472,685 S**

(45) **Date of Patent:** **** Apr. 1, 2003**

(54) **CONTAINER**

(76) **Inventor:** **Alan J. Hedstrom**, 910 N. 20th,
Denison, IA (US) 51442

(**) **Term:** **14 Years**

(21) **Appl. No.:** **29/159,187**

(22) **Filed:** **Apr. 16, 2002**

(51) **LOC (7) Cl.** **09-09**

(52) **U.S. Cl.** **D34/4**

(58) **Field of Search** D34/1, 4, 7; D1/116,
D1/118; 426/139, 143; 220/908, 909, 910,
911, 913

D319,912 S	*	9/1991	Butterman, Jr.	D1/116
D319,913 S	*	9/1991	George	D1/116
D324,596 S		3/1992	Imbruglia	
D333,025 S		2/1993	Doherty	
D335,562 S		5/1993	Evans	
D338,757 S		8/1993	Harrison	
D339,890 S	*	9/1993	Montgomery	D34/4
D355,739 S		2/1995	Bird	
D383,278 S		9/1997	Jennings	
6,916,611	*	6/1999	Bell	426/139
D428,543 S	*	7/2000	Schwab	D34/1
D442,346 S		5/2001	Prosa	
D462,492 S	*	9/2002	Neuhaus	D34/4

* cited by examiner

Primary Examiner—Cynthia E. Ramirez
(74) *Attorney, Agent, or Firm*—Sturm & Fix LLP

(56) **References Cited**

U.S. PATENT DOCUMENTS

2,462,497 A	*	2/1949	Heyman	426/139
D153,352 S	*	4/1949	Halset	D1/116
D153,354 S	*	4/1949	Heyman	D1/116
D163,635 S	*	6/1951	Reineke, Jr.	D1/116
D228,411 S	*	9/1973	Miller	D34/1
D244,418 S	*	5/1977	Chetta, Jr.	D34/1
D244,776 S	*	6/1977	Meeker	D1/118 X
4,136,800 A	*	1/1979	Christner et al.	426/139
D268,059 S		2/1983	Kracke	
4,855,150 A	*	8/1989	Mathes et al.	426/139
D307,660 S	*	5/1990	Kim	D1/116
D309,208 S		7/1990	Cajigas	
D312,523 S		11/1990	Delmerico	

(57) **CLAIM**

The ornamental design for a container, as shown and described.

DESCRIPTION

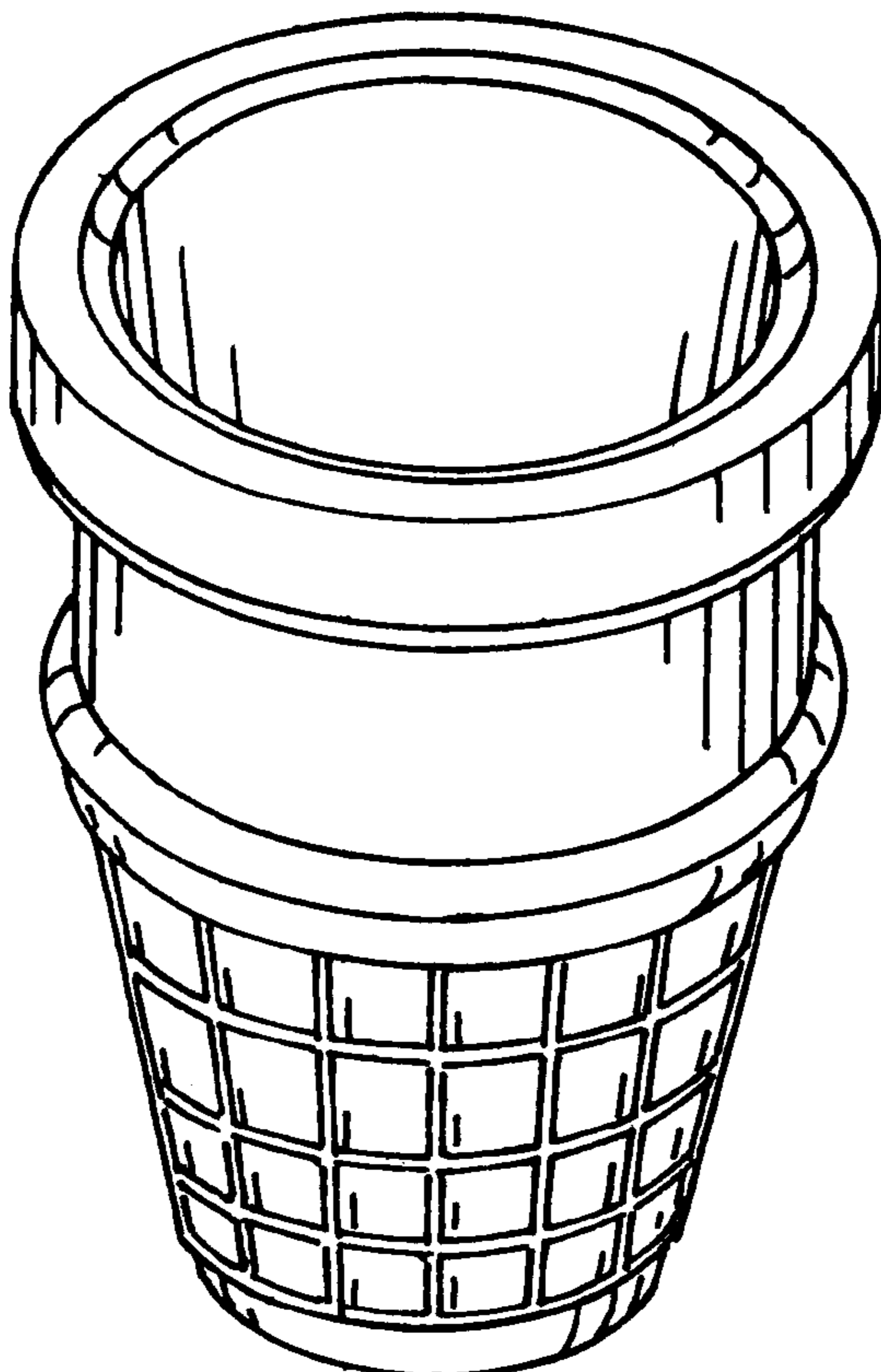
FIG. 1 is a perspective view of a container showing my new design;

FIG. 2 is an enlarged front elevational view thereof;

FIG. 3 is a top view thereof, the broken lines being for illustrative purposes only of a cover for the container and forming no part of the claimed design; and,

FIG. 4 is a bottom plan view thereof.

1 Claim, 1 Drawing Sheet



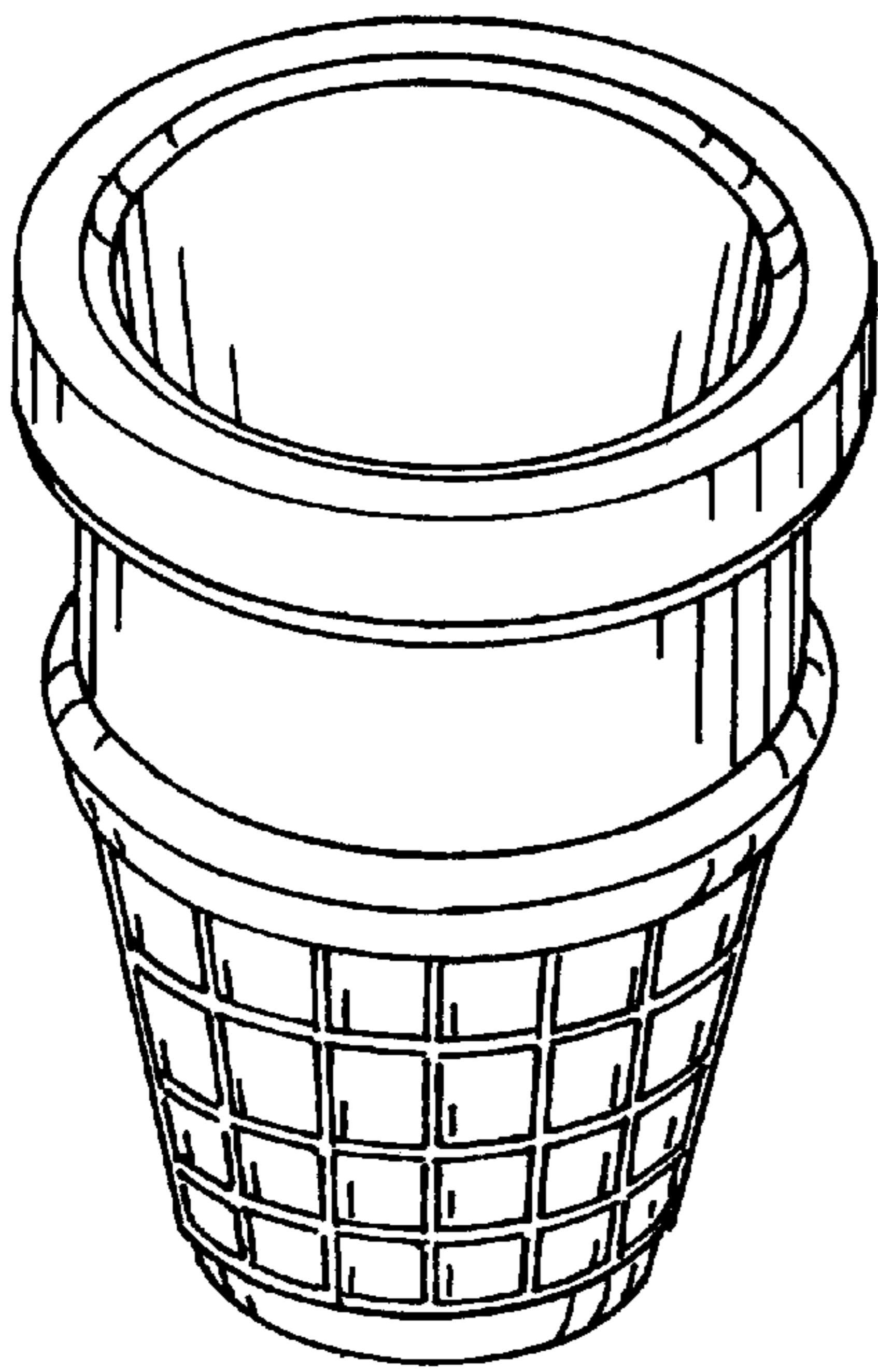


Fig. 1

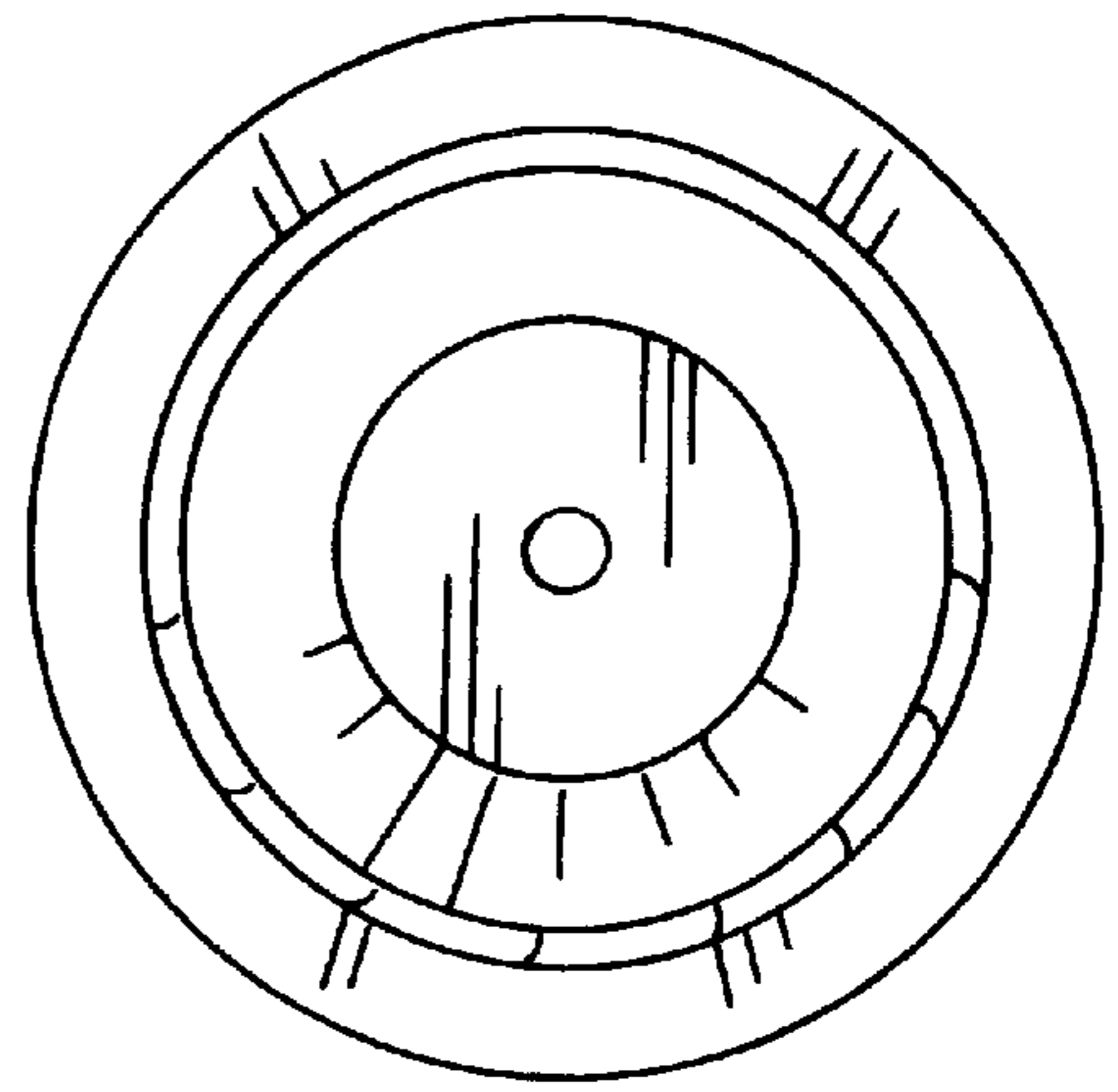


Fig. 3

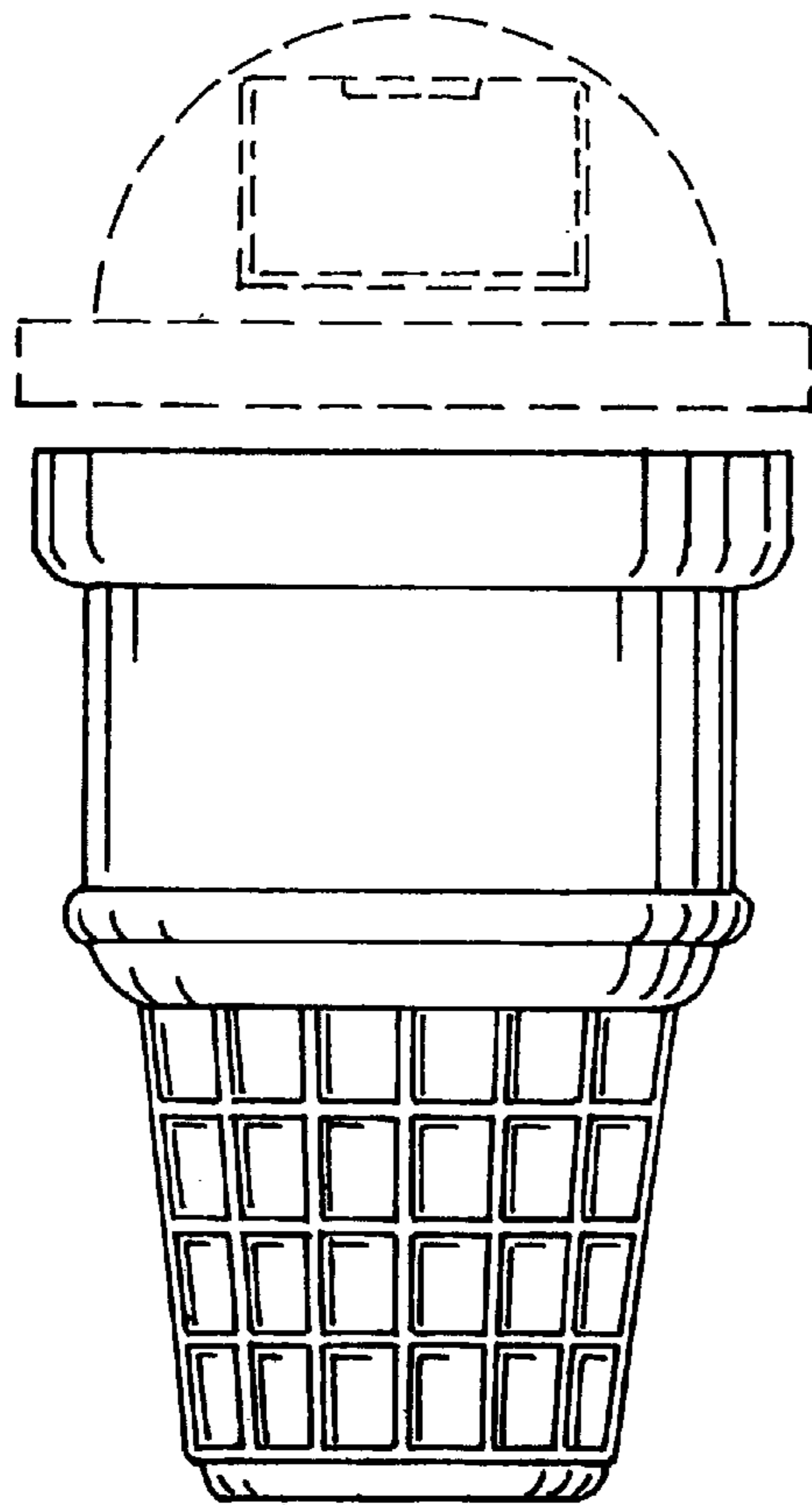


Fig. 2

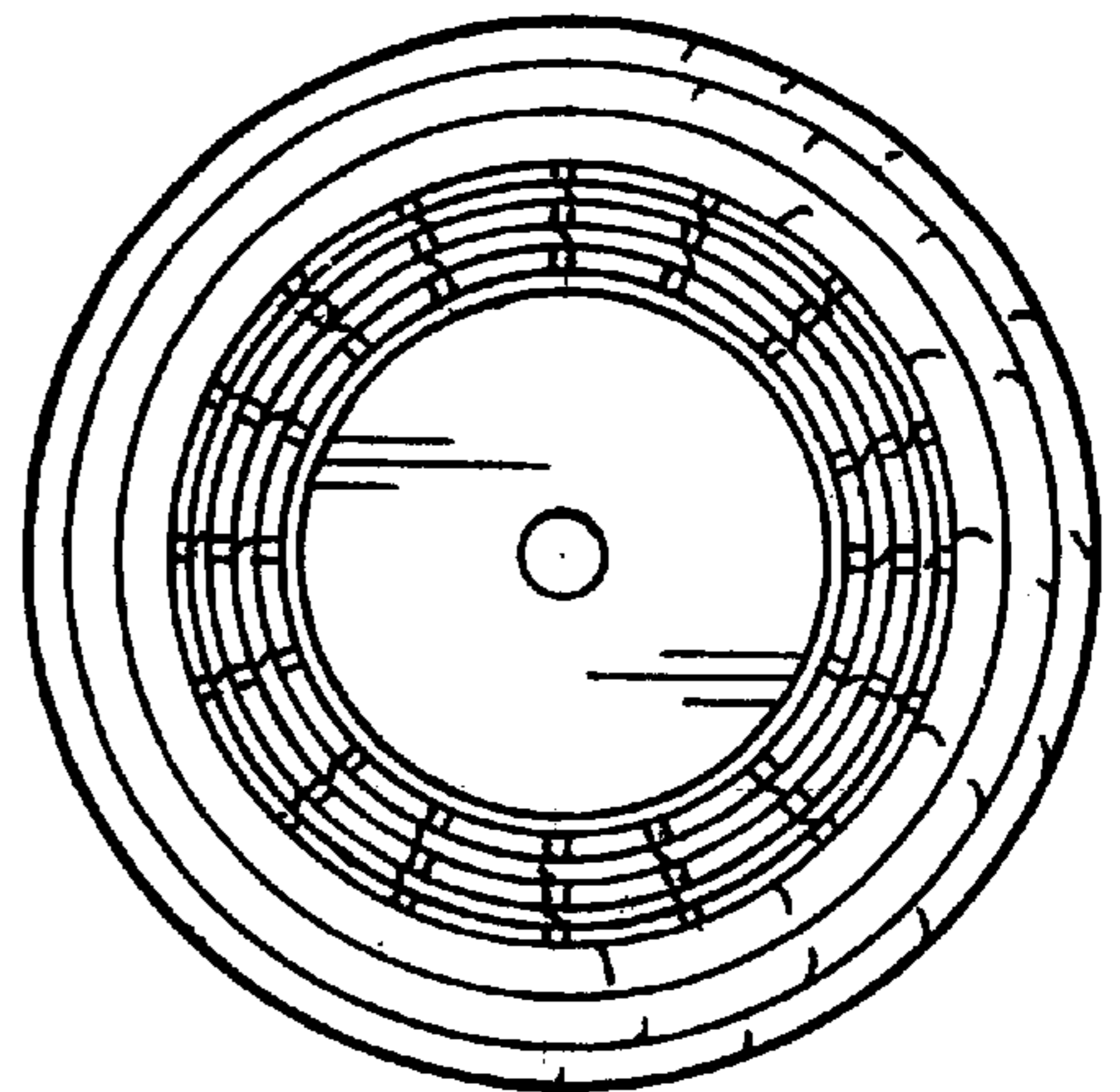


Fig. 4