



US00D472681S

(12) **United States Design Patent**
Melius

(10) **Patent No.:** **US D472,681 S**

(45) **Date of Patent:** **** Apr. 1, 2003**

(54) **ROUND BALE FEEDER WITH SKIDS**

(76) Inventor: **Kelly Melius**, 16008-357th Ave.,
Faulkton, SD (US) 57438

(**) Term: **14 Years**

(21) Appl. No.: **29/153,384**

(22) Filed: **Jan. 9, 2002**

(51) **LOC (7) Cl.** **30-03**

(52) **U.S. Cl.** **D30/133**

(58) **Field of Search** D30/133, 121,
D30/131; 119/60, 58, 59, 61, 51.5; D7/409,
601; D6/566, 525; 211/126.1, 181.1, 71.01,
86.01; 206/77.1

(56) **References Cited**

U.S. PATENT DOCUMENTS

3,913,529	A	*	10/1975	Leigh, Jr.	119/60
5,158,040	A	*	10/1992	Martin	119/58
5,205,241	A		4/1993	Halpin	119/60
5,337,699	A		8/1994	Dyson	119/60
5,386,800	A		2/1995	Pirok	119/58
D359,593	S	*	6/1995	Schultz	D30/131
D371,228	S		6/1996	Monin	119/60

5,586,519	A		12/1996	Wilkinson	119/68
D398,084	S		9/1998	Hartl	D30/121
5,865,589	A		2/1999	Reyher	414/412
5,921,202	A		7/1999	Schultz	119/60
D423,735	S	*	4/2000	Lile	D30/131
6,152,294	A	*	11/2000	Weinberg	206/77.1
6,213,053	B1		4/2001	Lammers	119/60
D449,752	S	*	10/2001	Snell	D6/537

* cited by examiner

Primary Examiner—Pamela Burgess

(74) *Attorney, Agent, or Firm*—Patrick J. Glynn

(57) **CLAIM**

The ornamental design for a round bale feeder with skids, as shown and described.

DESCRIPTION

FIG. 1 is a top perspective view of a round bale feeder with skids showing my new design;
FIG. 2 is a top plan view thereof;
FIG. 3 is a bottom plan view thereof;
FIG. 4 is a left and right side elevational view thereof; and,
FIG. 5 is a front elevational view thereof, the rear elevational view being identical.

1 Claim, 2 Drawing Sheets

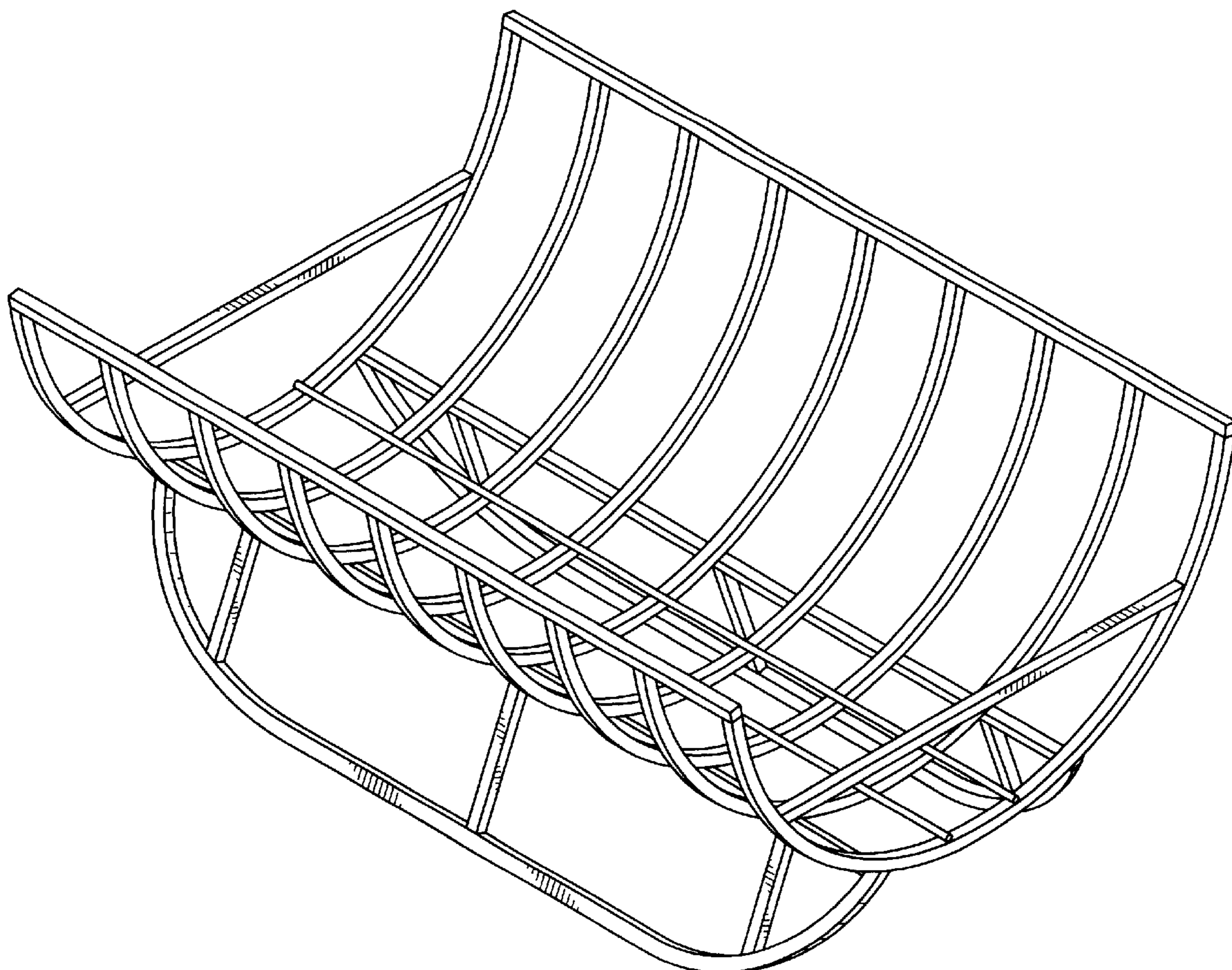


Fig. 1

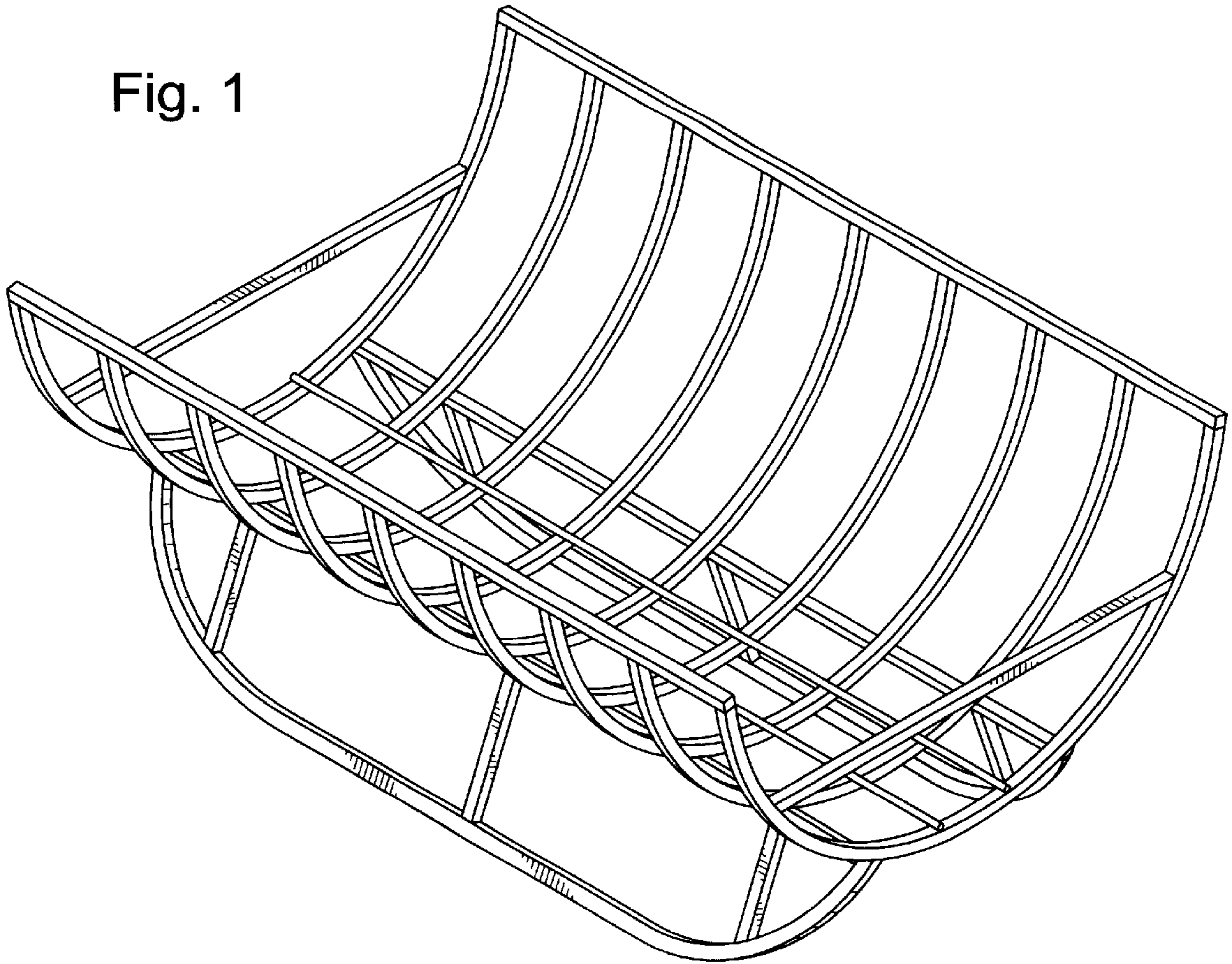
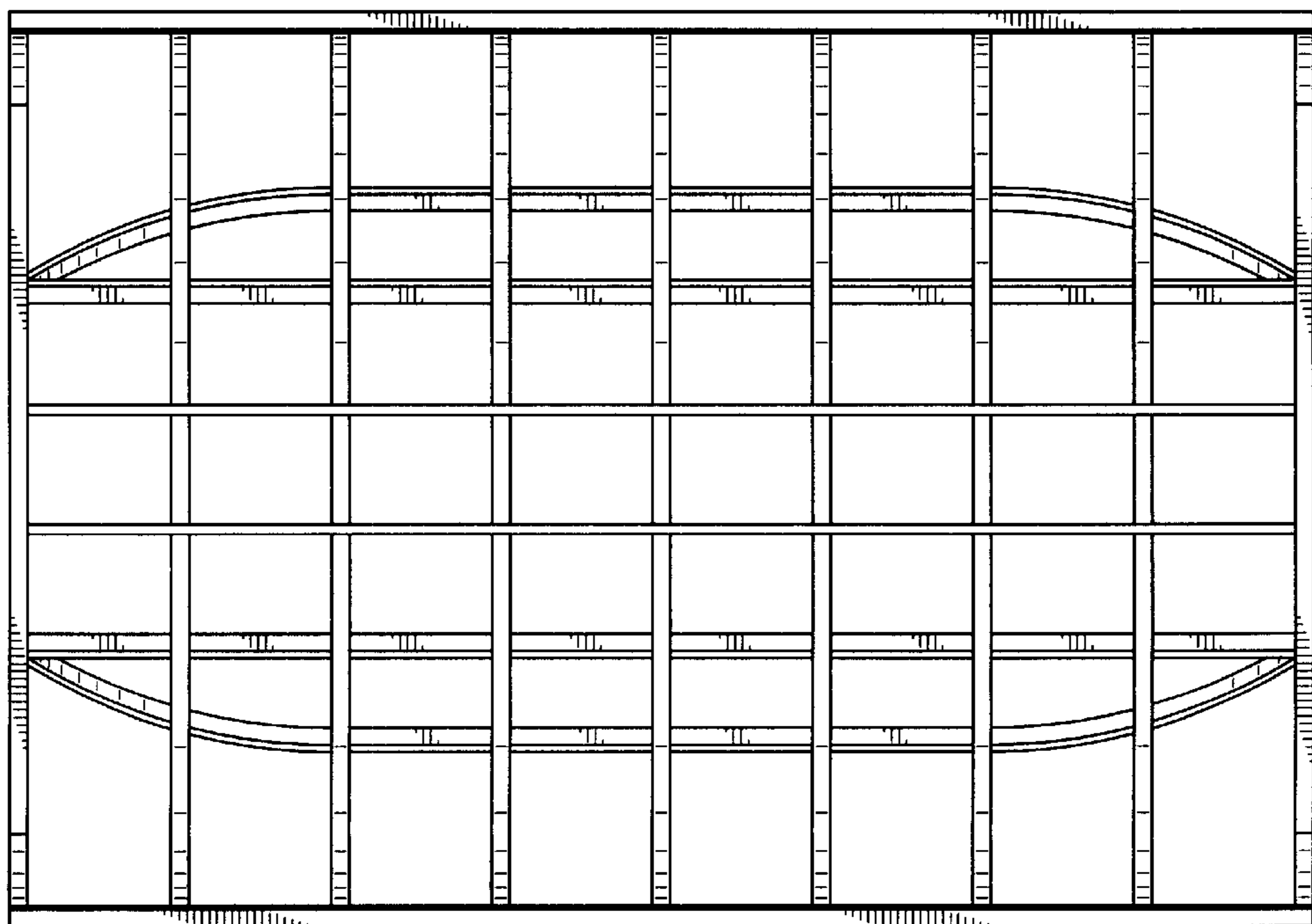


Fig. 2



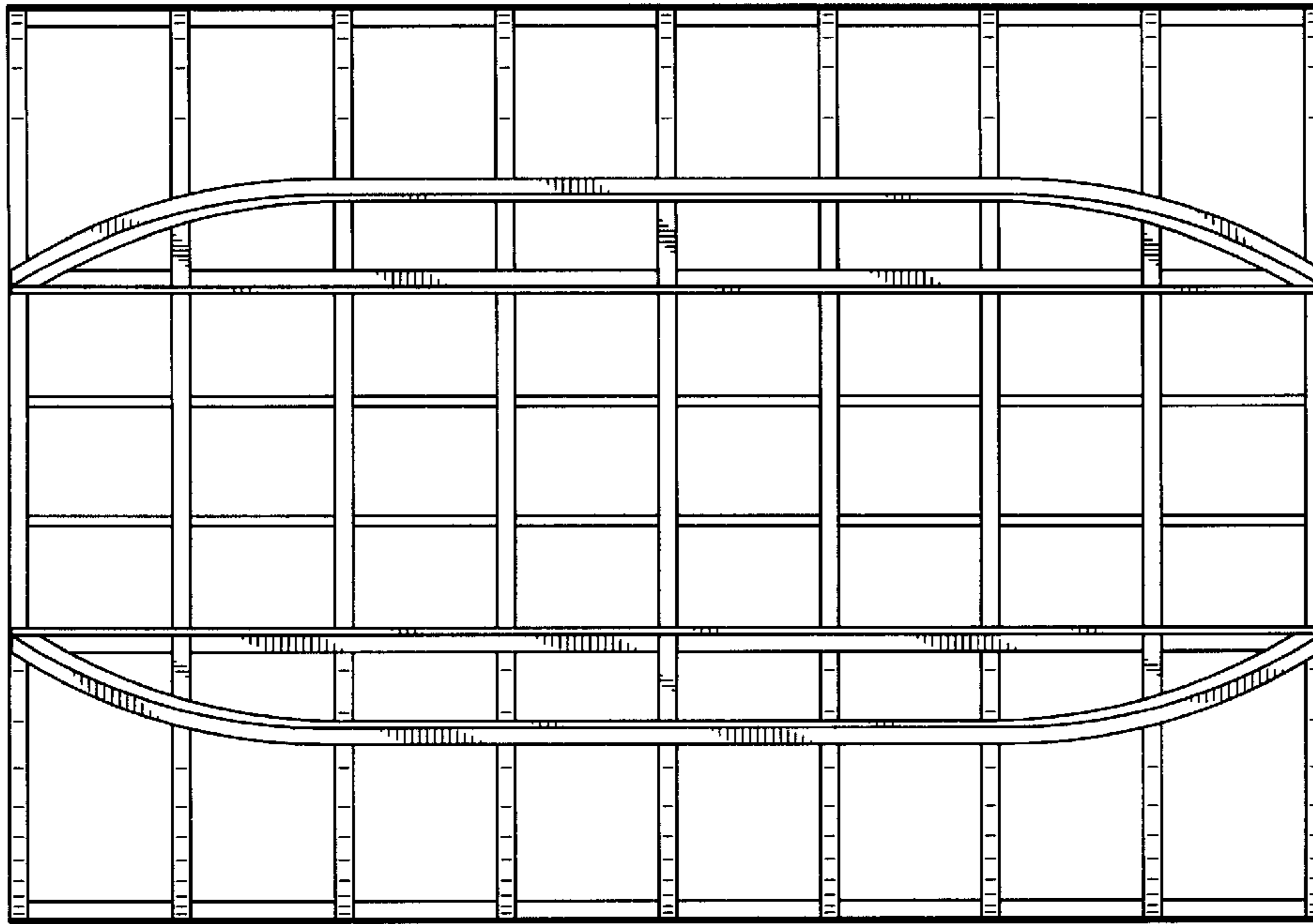


Fig. 3

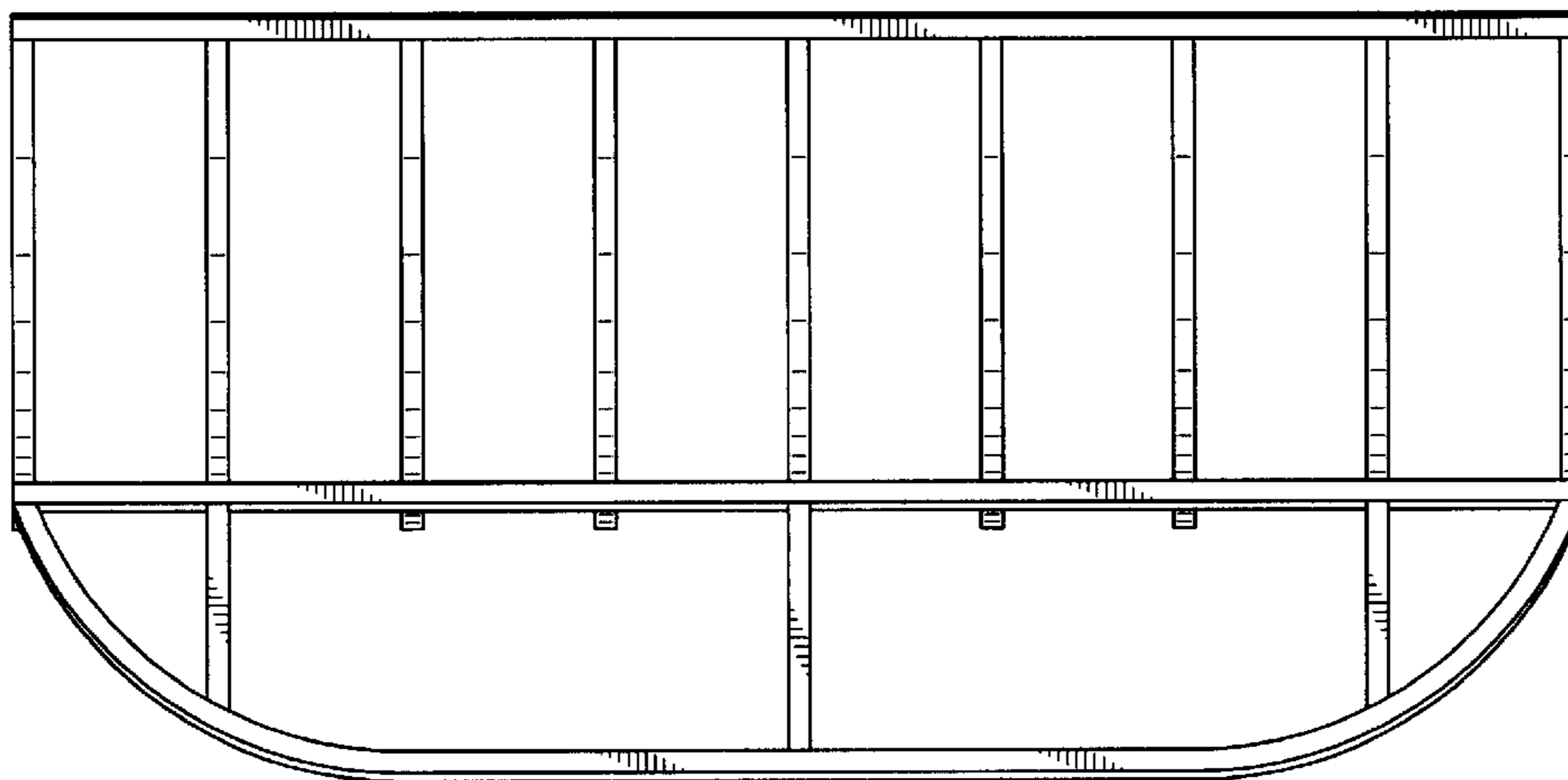


Fig. 4

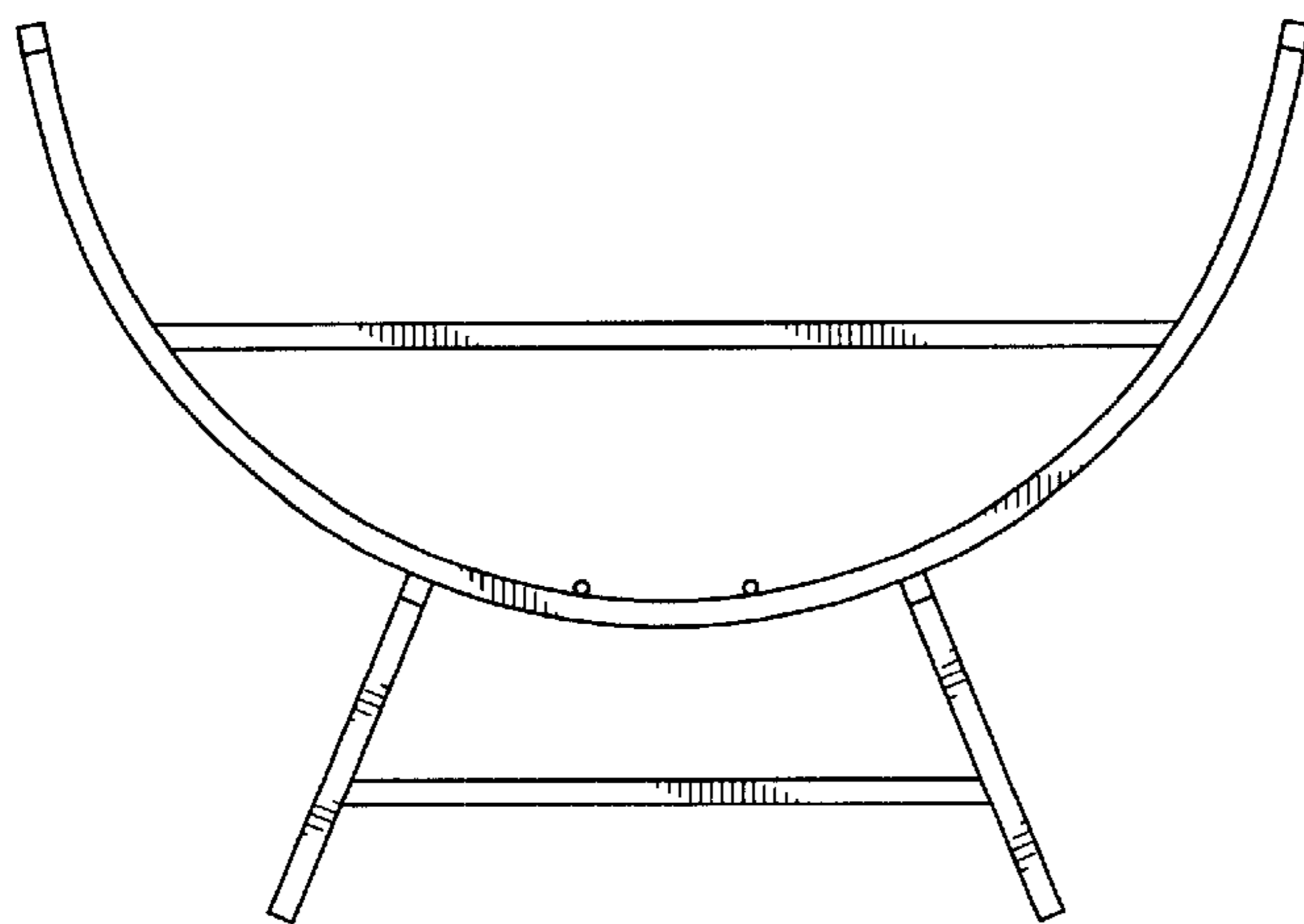


Fig. 5