



US00D472677S

(12) **United States Design Patent**  
**Saavedra**

(10) **Patent No.:** **US D472,677 S**

(45) **Date of Patent:** **\*\* Apr. 1, 2003**

(54) **BED BELT FOR A BABY**

D347,533 S \* 6/1994 Lambert ..... D24/190 X  
D382,642 S \* 8/1997 Rutherford ..... D24/190

(76) Inventor: **Derek Mark Woodhouse Saavedra**,  
Av. Rio Mixcoac No. 100, Int. no. 3,  
Col. San José Insurgentes, C.P. 03900  
(MX)

\* cited by examiner

*Primary Examiner*—Louis S. Zarfes  
*Assistant Examiner*—Robert A. Delehanty  
(74) *Attorney, Agent, or Firm*—Baker Botts L.L.P.

(\*\*) Term: **14 Years**

(57) **CLAIM**

(21) Appl. No.: **29/112,383**

The ornamental design for a bed belt for a baby, as shown.

(22) Filed: **Oct. 14, 1999**

**DESCRIPTION**

(30) **Foreign Application Priority Data**

Apr. 14, 1999 (MX) ..... 990397

FIG. 1 is an upper view of the bed belt showing my new design;  
FIG. 2 is a lower view thereof;  
FIG. 3 is a lateral view thereof;  
FIG. 4 is a front view thereof;  
FIG. 5 is a closed perspective view thereof;  
FIG. 6 is a perspective view thereof with a 90° aperture;  
FIG. 7 is a perspective view thereof with a 180° aperture;  
FIG. 8 is a perspective view thereof with a 5° aperture; and,  
FIG. 9 is a perspective view thereof with a 45° aperture.

(51) **LOC (7) Cl.** ..... **30-04**

(52) **U.S. Cl.** ..... **D29/100**

(58) **Field of Search** ..... D29/100, 101.1,  
D29/101.2, 101.3, 101.4, 101.5, 122; D2/750-753,  
828-829, 861-864; 2/46, 48, 52, 92, 102,  
103, 460, 461, 462, 265, 268; D24/190,  
193; 182/3-4

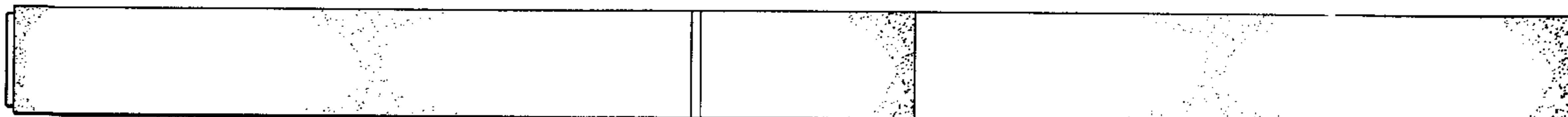
The bed belt for a baby provides a safety restraint over a bed for holding infants. The bed belt for a baby may be placed on the rails of a baby's bed above the mattress so that the baby may be secured within the aperture while laying on the mattress.

(56) **References Cited**

**U.S. PATENT DOCUMENTS**

1,925,888 A \* 9/1933 Weiss ..... D290/100 X  
D263,640 S \* 4/1982 Nandorf ..... D29/100  
D264,890 S \* 6/1982 Nandorf ..... D29/100  
D333,193 S \* 2/1993 Archambault ..... D29/100

**1 Claim, 6 Drawing Sheets**



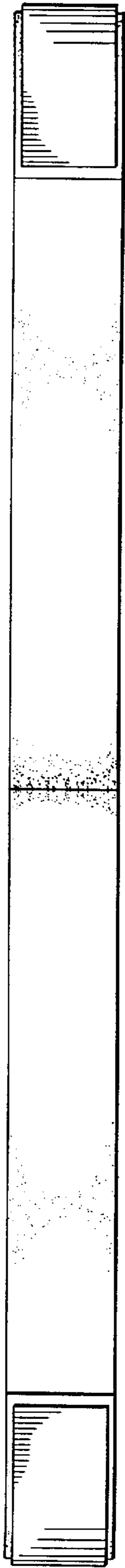


FIG. 2

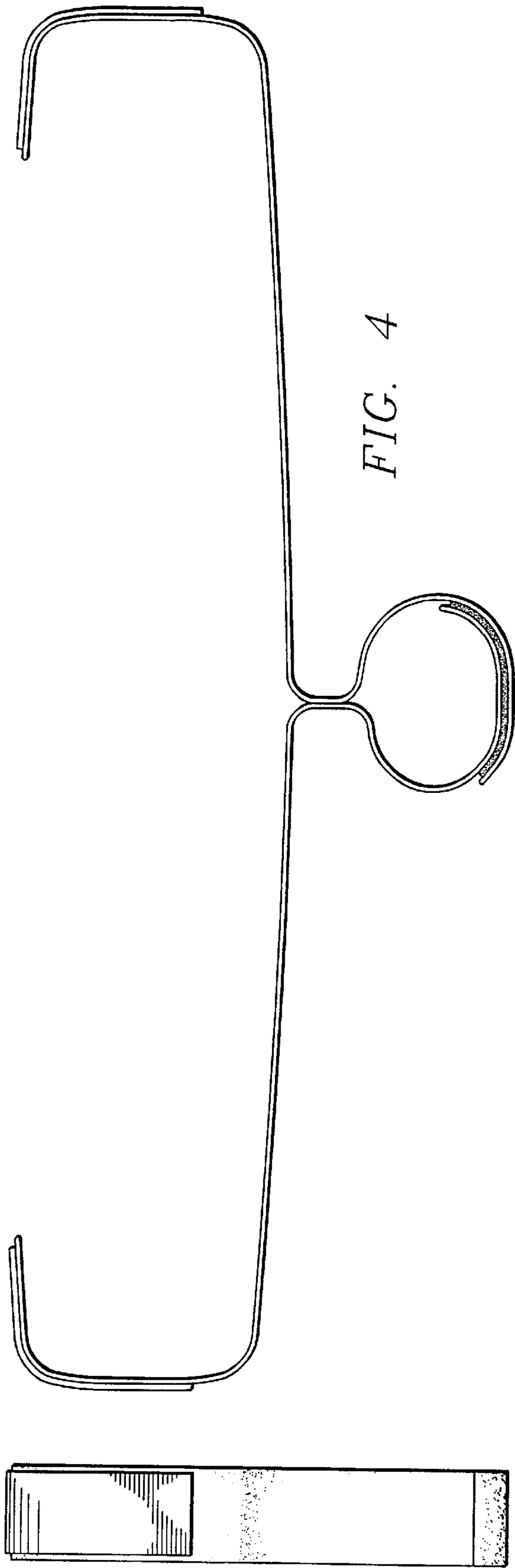


FIG. 4

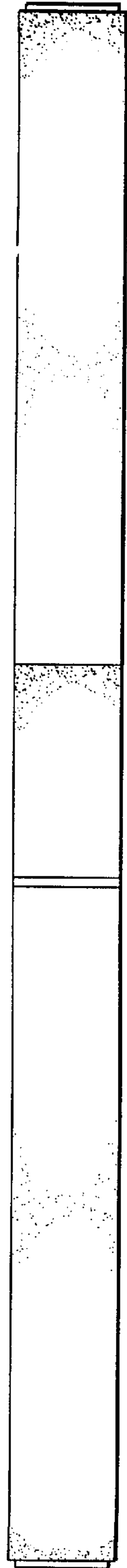


FIG. 1

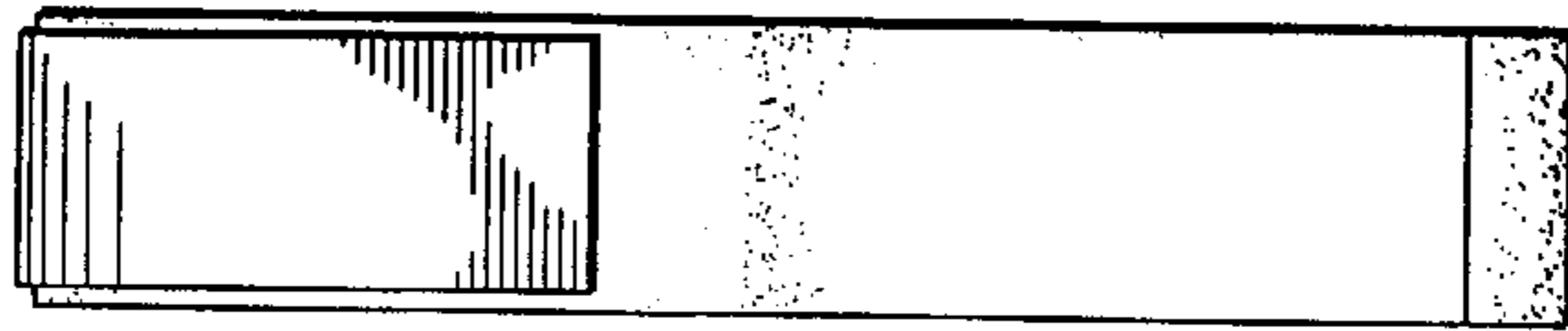


FIG. 3

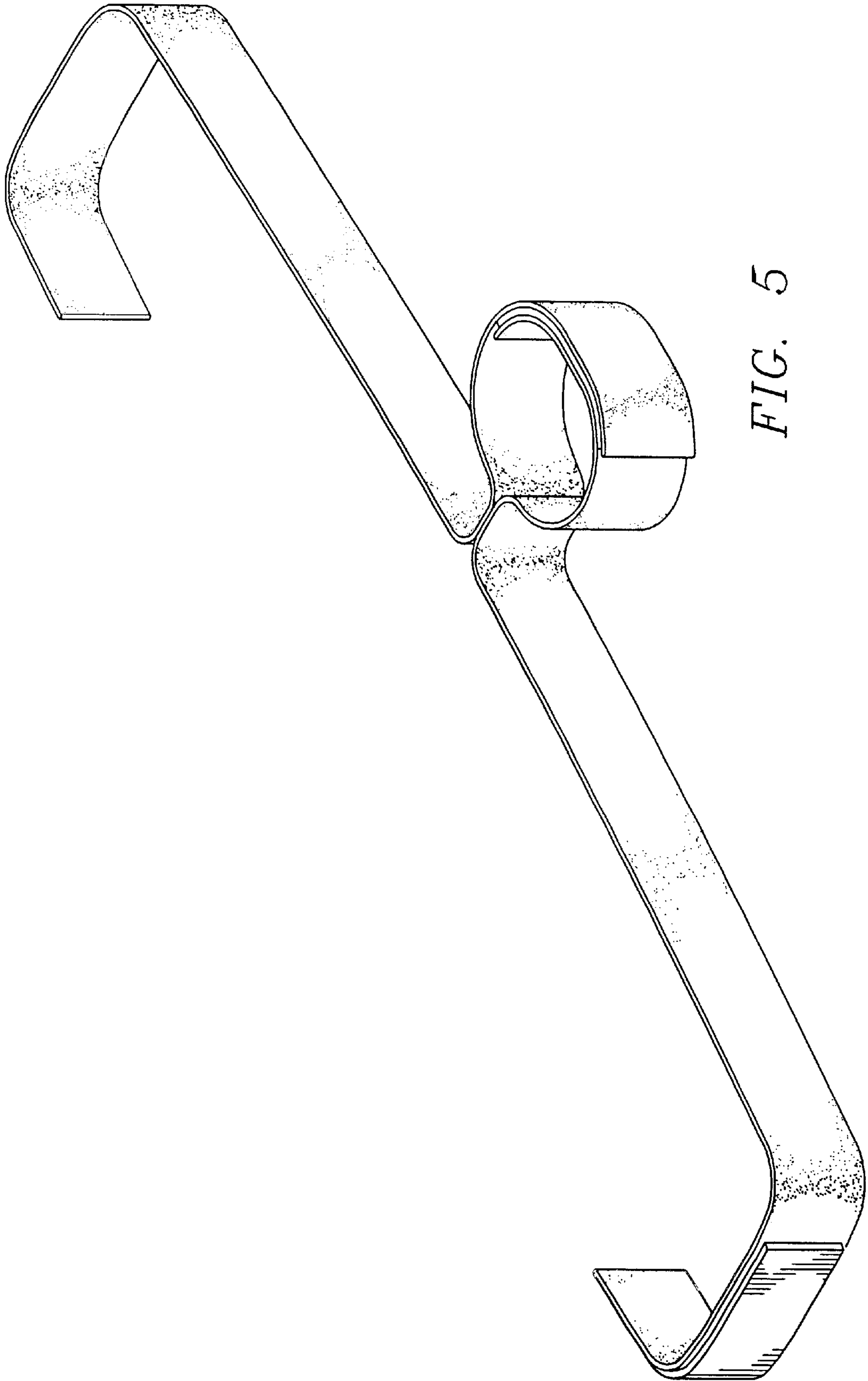


FIG. 5

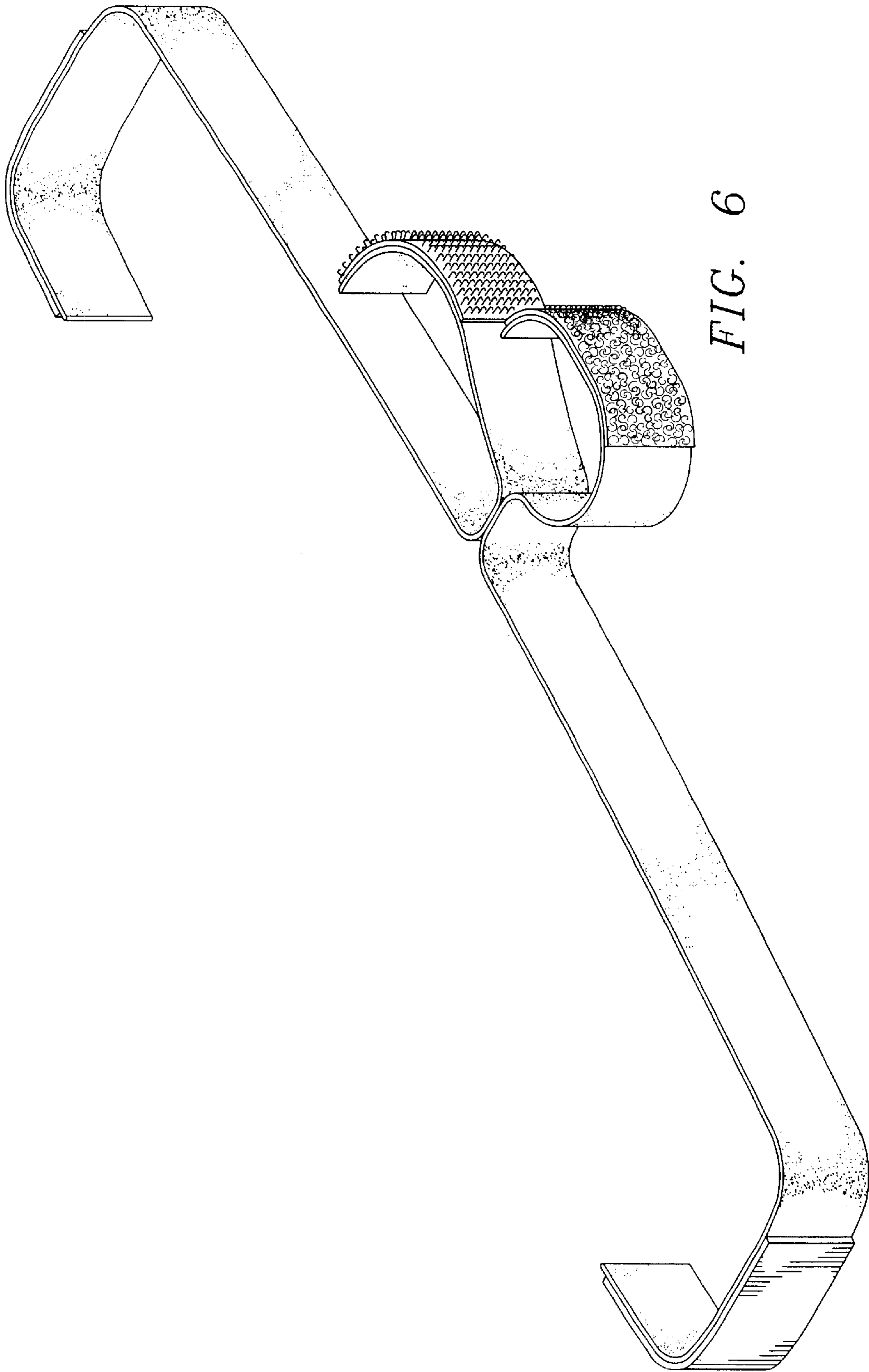


FIG. 6

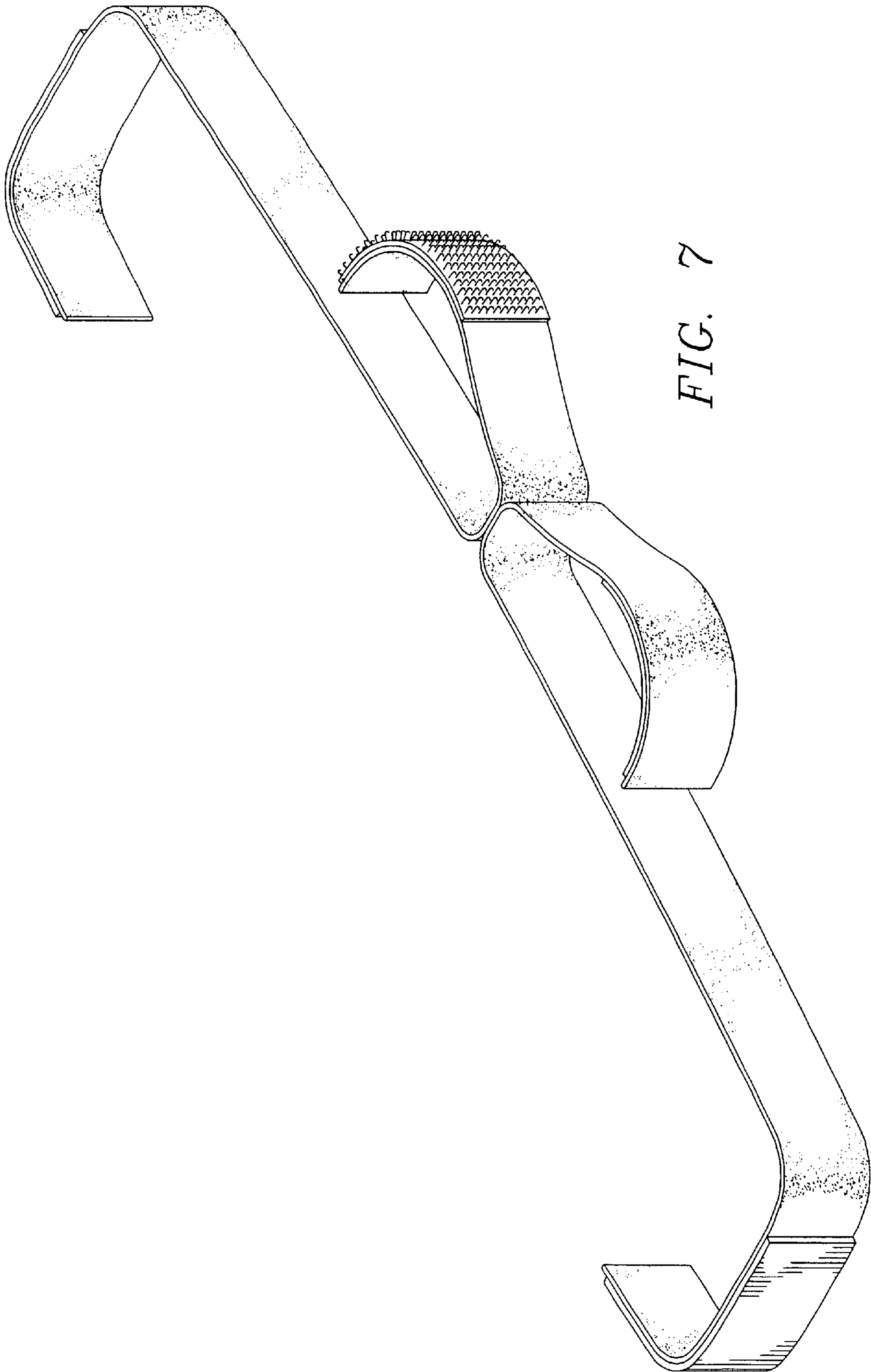


FIG. 7

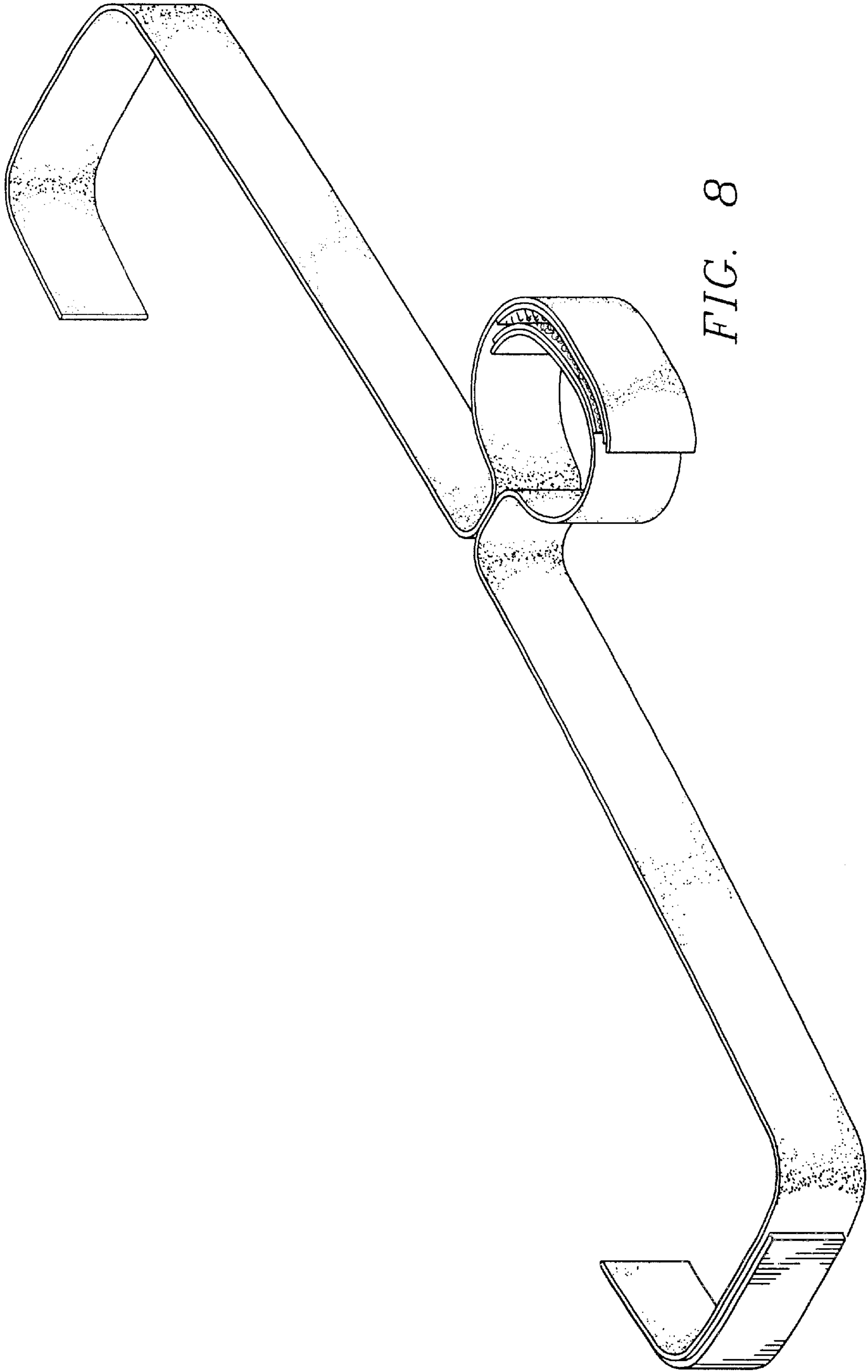


FIG. 8

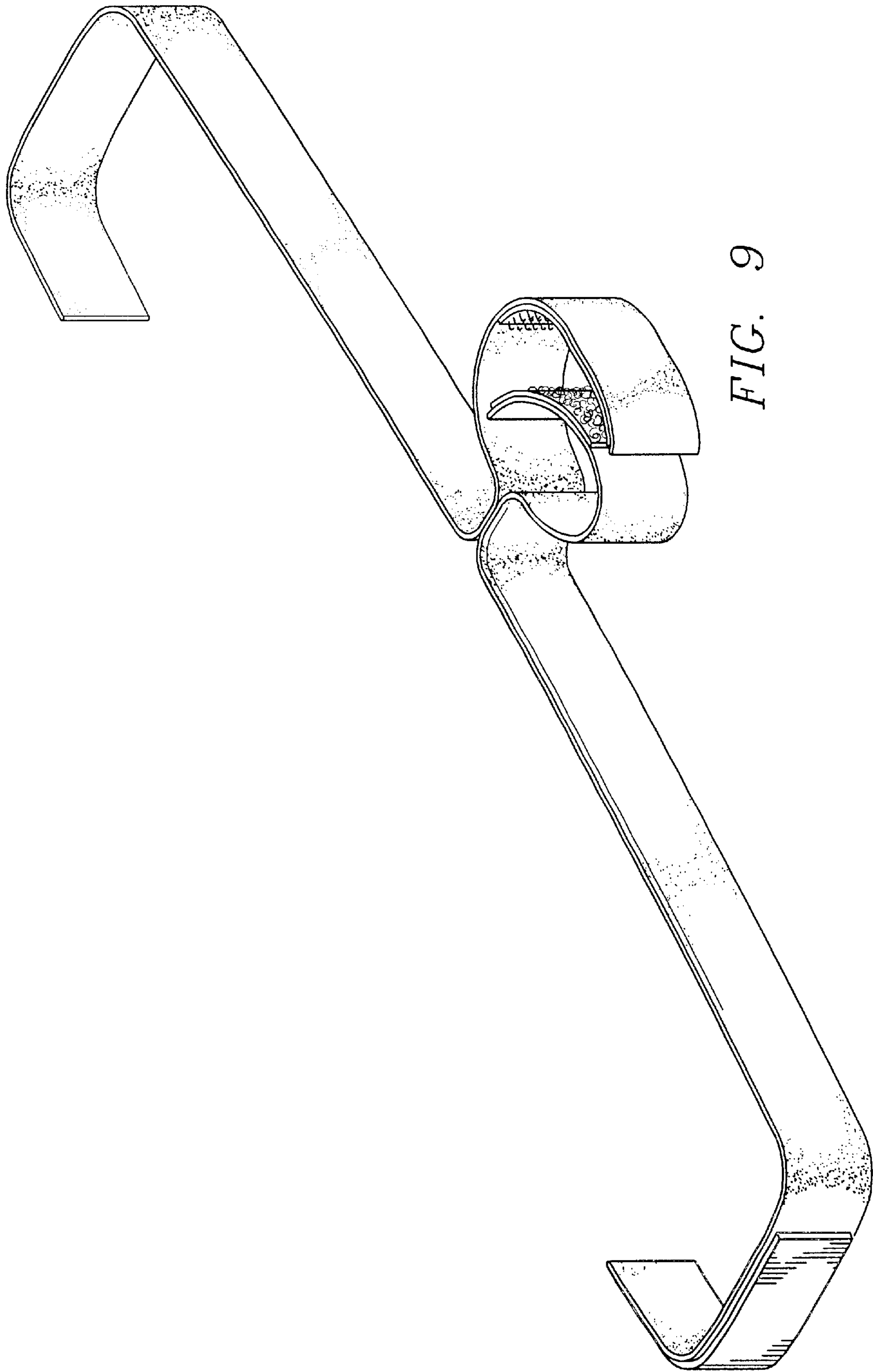


FIG. 9