



US00D472676S

(12) **United States Design Patent**
Lai

(10) **Patent No.:** **US D472,676 S**

(45) **Date of Patent:** **** Apr. 1, 2003**

(54) **COSMETIC CASING**

(75) Inventor: **Chin Chun Lai**, Chong Ho (TW)

(73) Assignee: **Chao Ling Chemical Industry Co., Ltd.**, Taipei Hsien (TW)

(**) Term: **14 Years**

(21) Appl. No.: **29/164,285**

(22) Filed: **Jul. 19, 2002**

(51) **LOC (7) Cl.** **28-02**

(52) **U.S. Cl.** **D28/79; D28/83**

(58) **Field of Search** D28/76-84; D9/341, D9/420, 423, 307, 332, 418; D3/273-275, 294, 295, 901, 903; D19/35, 36; 132/286-318; 206/457, 581, 1.8, 823, 1.7, 1.9, 235, 81; 220/DIG. 26

(56) **References Cited**

U.S. PATENT DOCUMENTS

- 1,767,567 A * 6/1930 Weil 132/294
- D409,801 S * 5/1999 Kim D28/83
- 6,168,028 B1 * 1/2001 Telesca et al. 206/823 X
- 6,202,852 B1 * 3/2001 Jones et al. 206/581
- D443,393 S * 6/2001 Goswell D28/83
- D446,608 S * 8/2001 Goswell D28/83
- D452,938 S * 1/2002 Lai D28/77

FOREIGN PATENT DOCUMENTS

JP 60-172917 * 9/1985 A61K/007/02

OTHER PUBLICATIONS

Dreyfuss, Henry. *Symbol Sourcebook An Authoritative Guide to International Graphic Symbols* New York: McGraw-Hill Book Company 1972. 1) p. 54: the following symbols in the 4th, 5th and sixth rows: Aries, Taurus, Gemini, Cancer, Leo, Virgo, Libra, Scorp.*
Hong Kong Enterprise Jun. 1994, p. 659: item No. 9324B.*
Frutiger, Adrian: *Signs and Symbols: Their Design and Meaning* translated by Andrew Bluhm. New York: Watson-Guptill Publications 1998: symbols shown on p. 292.*

* cited by examiner

Primary Examiner—Ted Shooman

Assistant Examiner—C Tuttle

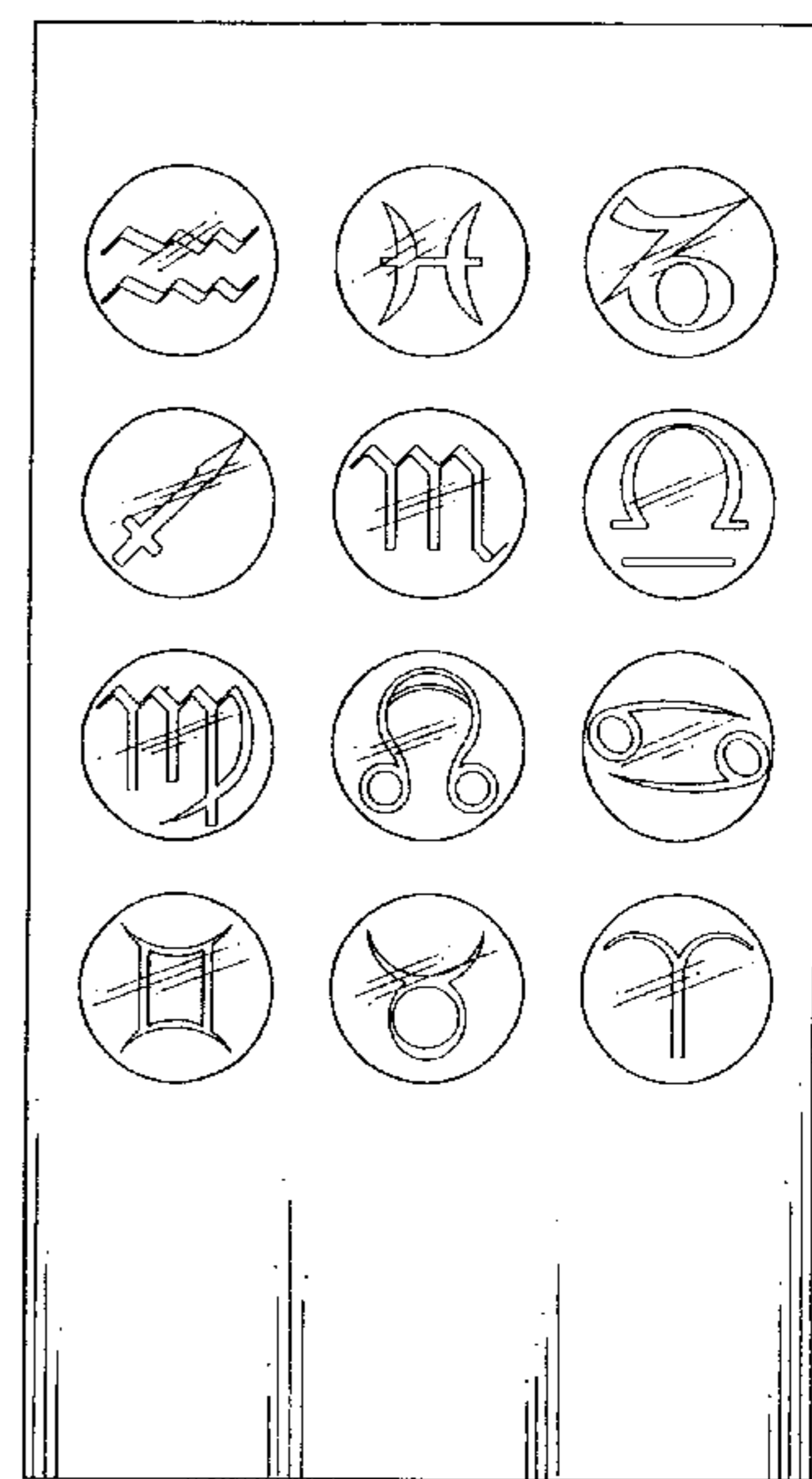
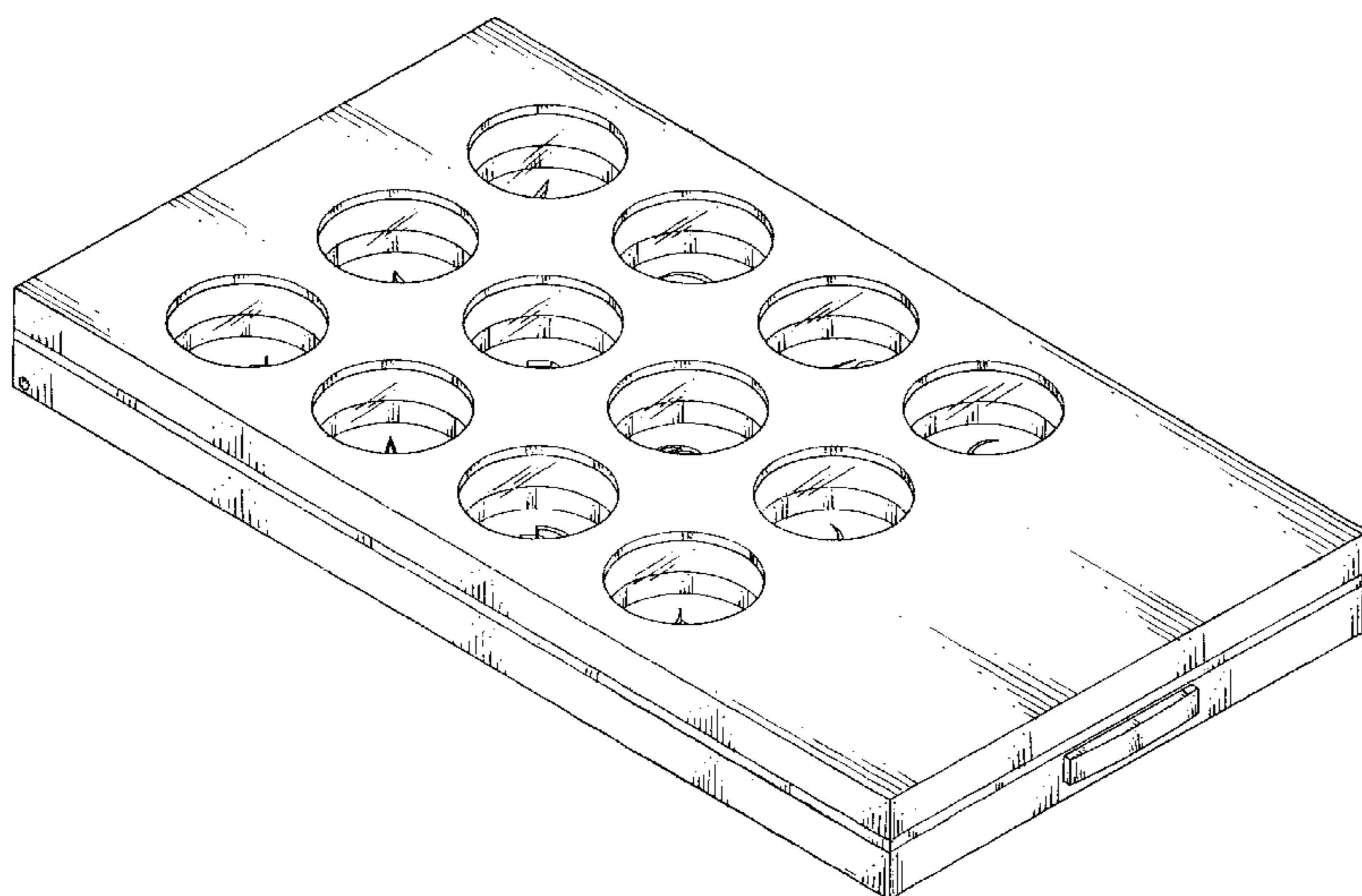
(57) **CLAIM**

The ornamental design for a cosmetic casing, as shown and described.

DESCRIPTION

FIG. 1 is a perspective view of a cosmetic casing showing my new design;
FIG. 2 is a front elevational view thereof;
FIG. 3 is a rear elevational view thereof;
FIG. 4 is a top plan view thereof;
FIG. 5 is a bottom plan view thereof, in which the hinge area shown in broken lines are for illustrative purposes only and form no part of the claimed design;
FIG. 6 is a left side elevational view thereof; and,
FIG. 7 is a right side elevational view thereof.

1 Claim, 4 Drawing Sheets



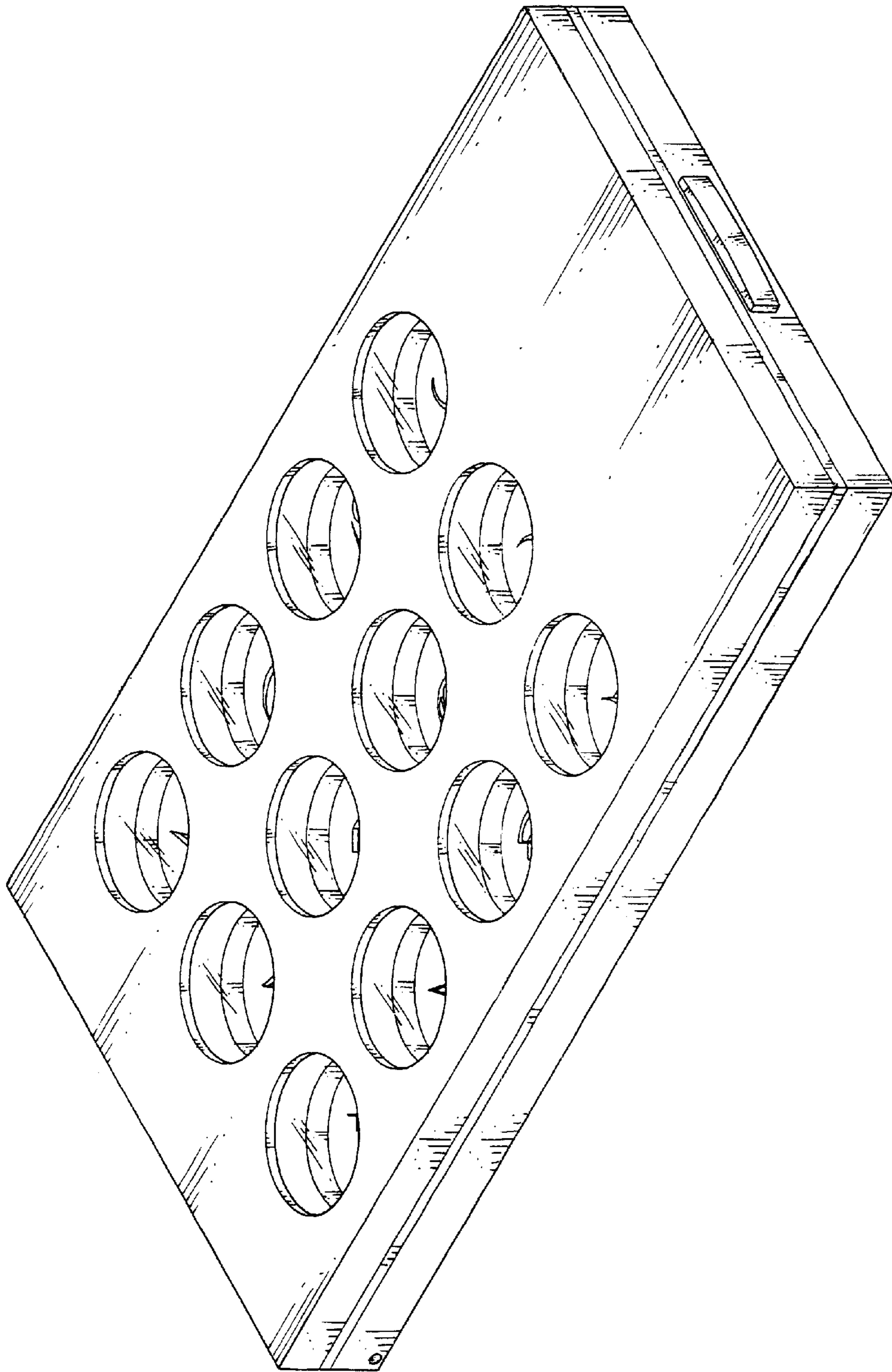


FIG. 1

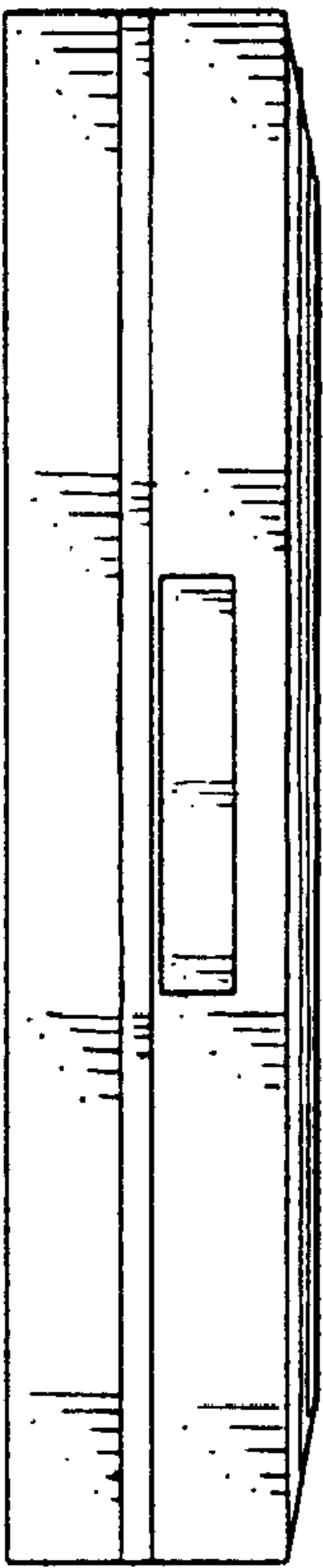


FIG. 2

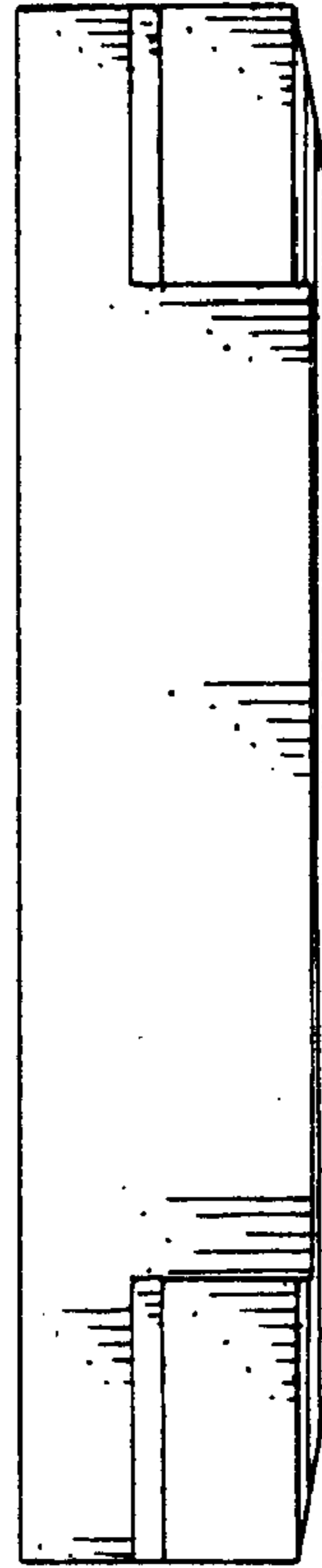


FIG. 3

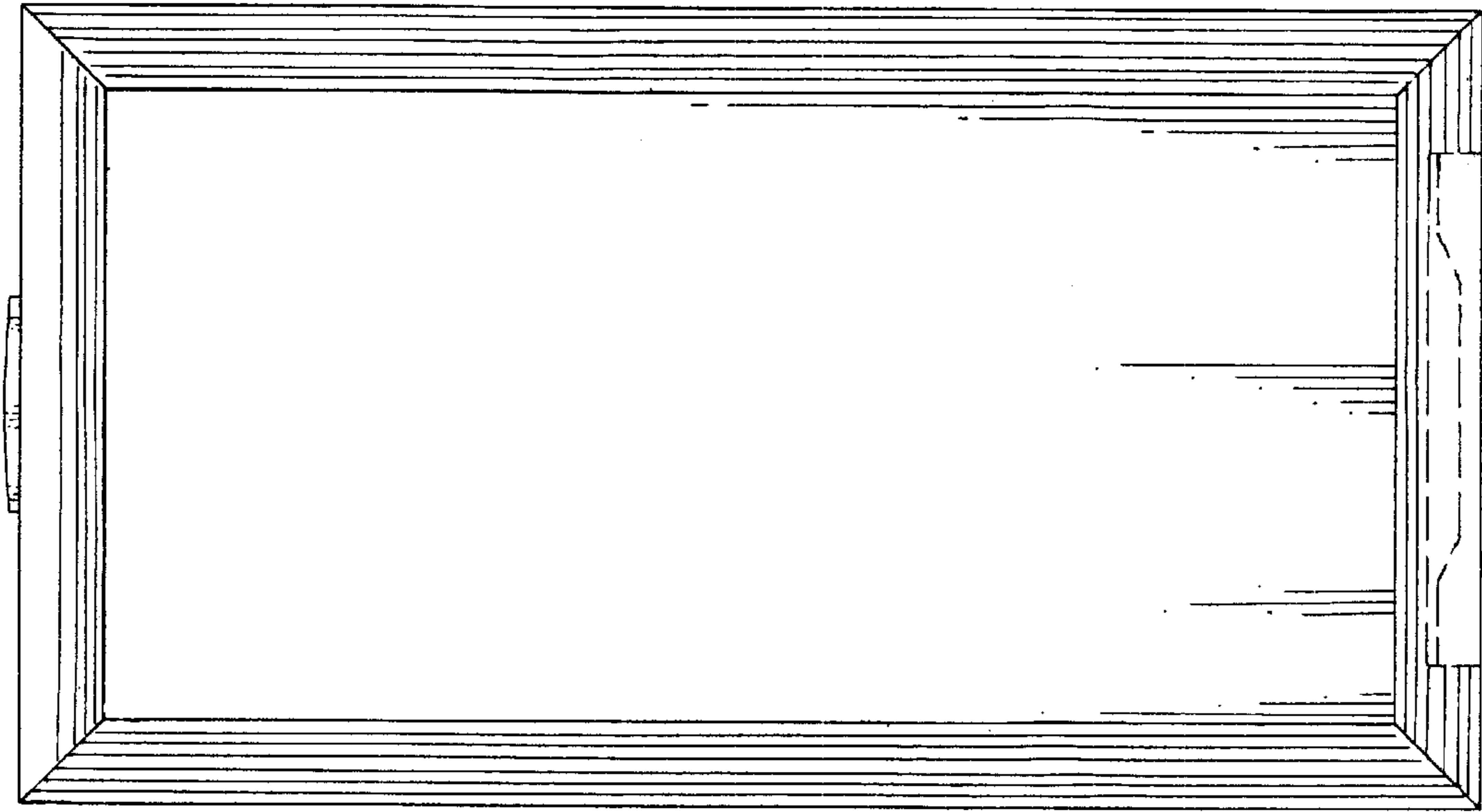


FIG. 5

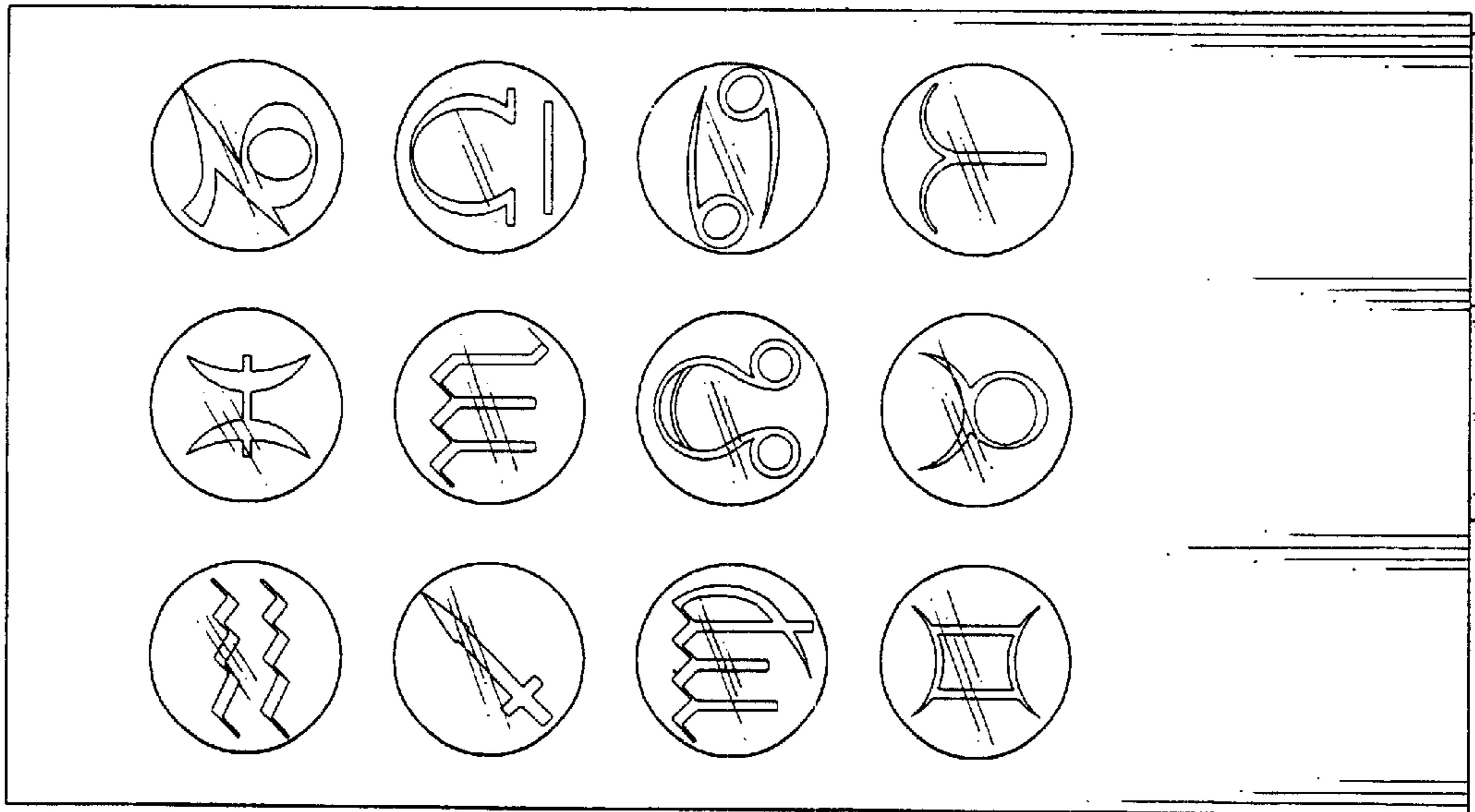


FIG. 4

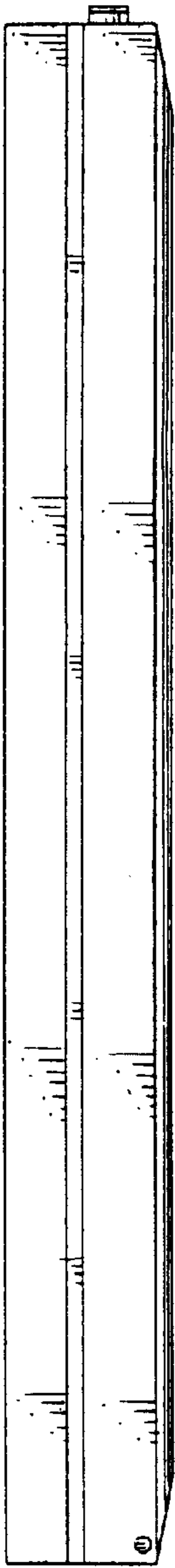


FIG. 6

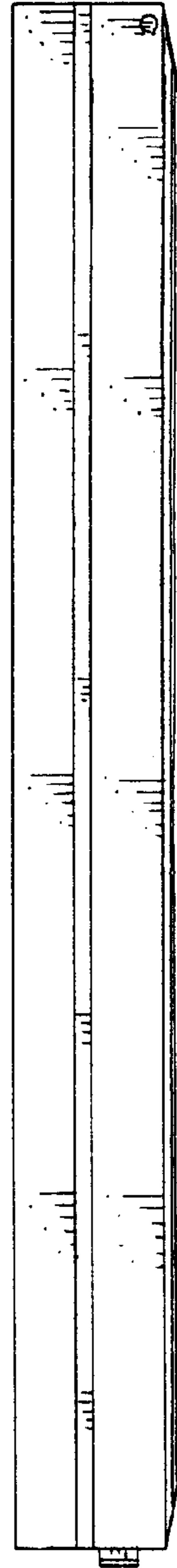


FIG. 7